



US00D402355S

United States Patent [19]

Bahar et al.

[11] Patent Number: **Des. 402,355**

[45] Date of Patent: ****Dec. 8, 1998**

[54] **COMBINED DRAIN STOPPER AND STRAINER**

[76] Inventors: **Nissim Bahar**, 105 Waterloo Avenue, Downsview, Ontario, Canada, CN M3H-3Y6; **David Bahar**, 11 Hastings La., Stamford, Conn. 06905

[**] Term: **14 Years**

[21] Appl. No.: **52,367**

[22] Filed: **Mar. 28, 1996**

[51] LOC (6) Cl. **23-01**

[52] U.S. Cl. **D23/261**

[58] Field of Search D23/259, 260, D23/261; D9/435, 443, 436, 452, 439, 454; 4/286, 287, 292-295; 215/228, 355, 358; 220/306, 307

[56] **References Cited**

U.S. PATENT DOCUMENTS

D. 45,242	2/1914	Schulhoff	D9/439
2,273,480	2/1942	Yates	4/295
2,915,762	12/1959	Kivela	4/295
5,224,514	7/1993	Taylor	4/295 X

FOREIGN PATENT DOCUMENTS

179222	7/1954	Austria	215/355
1482162	5/1967	France	220/307
390098	3/1933	United Kingdom	4/295

Primary Examiner—Ted Shooman
Assistant Examiner—C. Tuttle
Attorney, Agent, or Firm—Harpman & Harpman

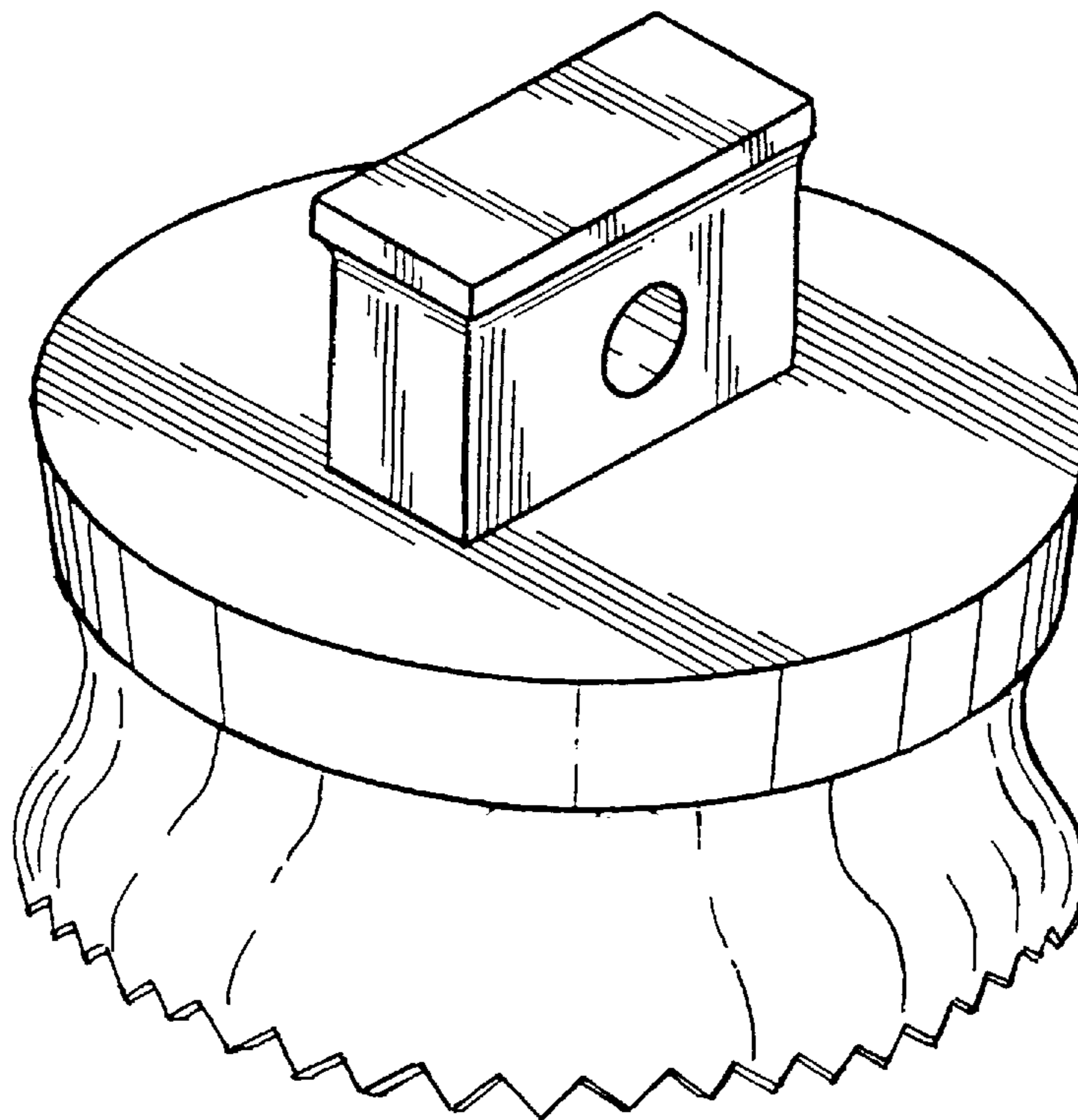
[57] **CLAIM**

The ornamental design for a combined drain stopper and strainer, as shown and described.

DESCRIPTION

FIG. 1 is a front, top and side perspective view of the combined drain stopper and strainer embodying the design of the present invention;
FIG. 2 is a front elevational view thereof, the opposite rear view being identical thereto;
FIG. 3 is a side elevational view thereof, the opposite side elevational view being identical thereto;
FIG. 4 is a top plan view thereof; and,
FIG. 5 is a bottom plan view thereof.

1 Claim, 3 Drawing Sheets



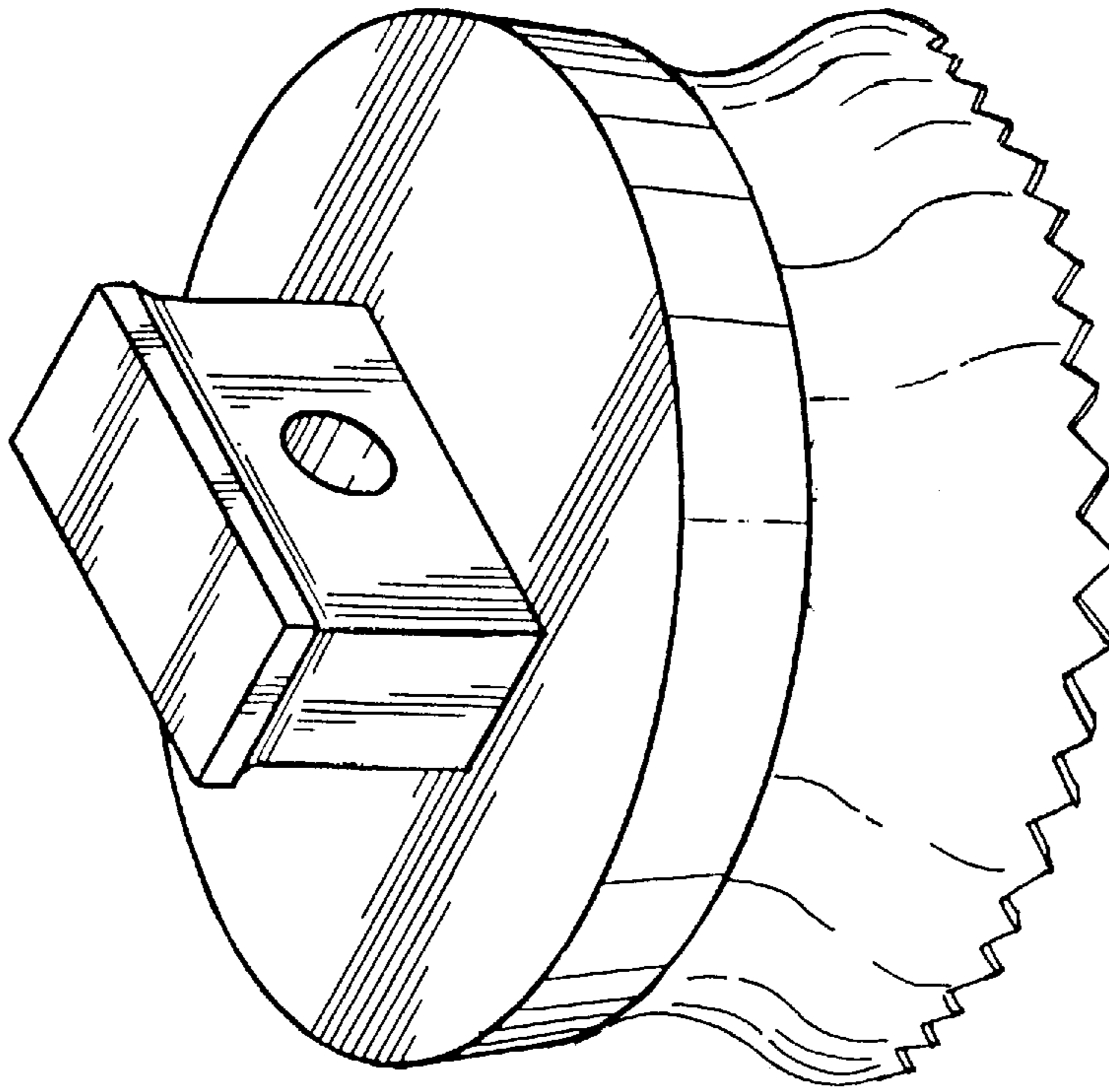


FIG. 1

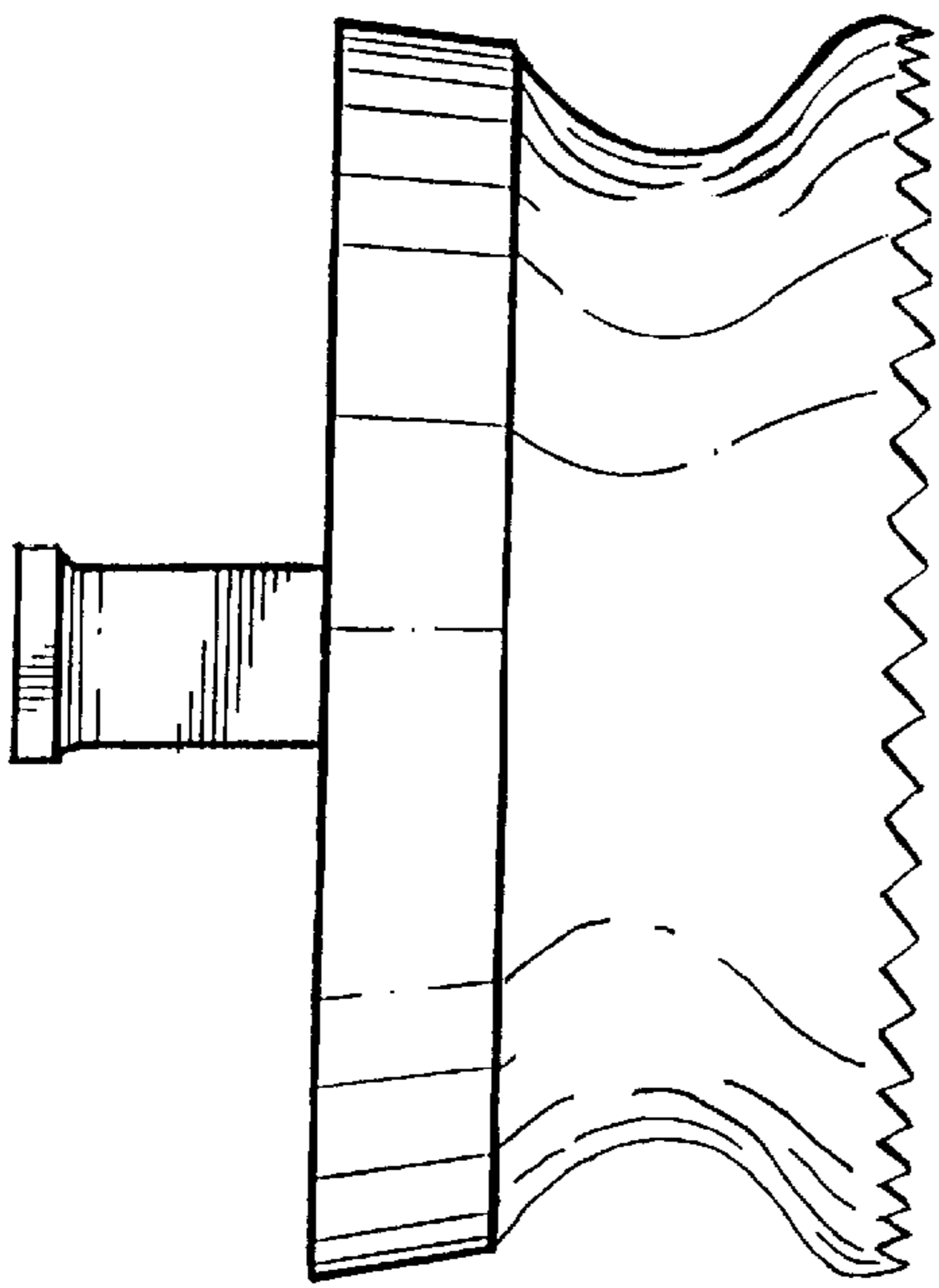


FIG. 2.

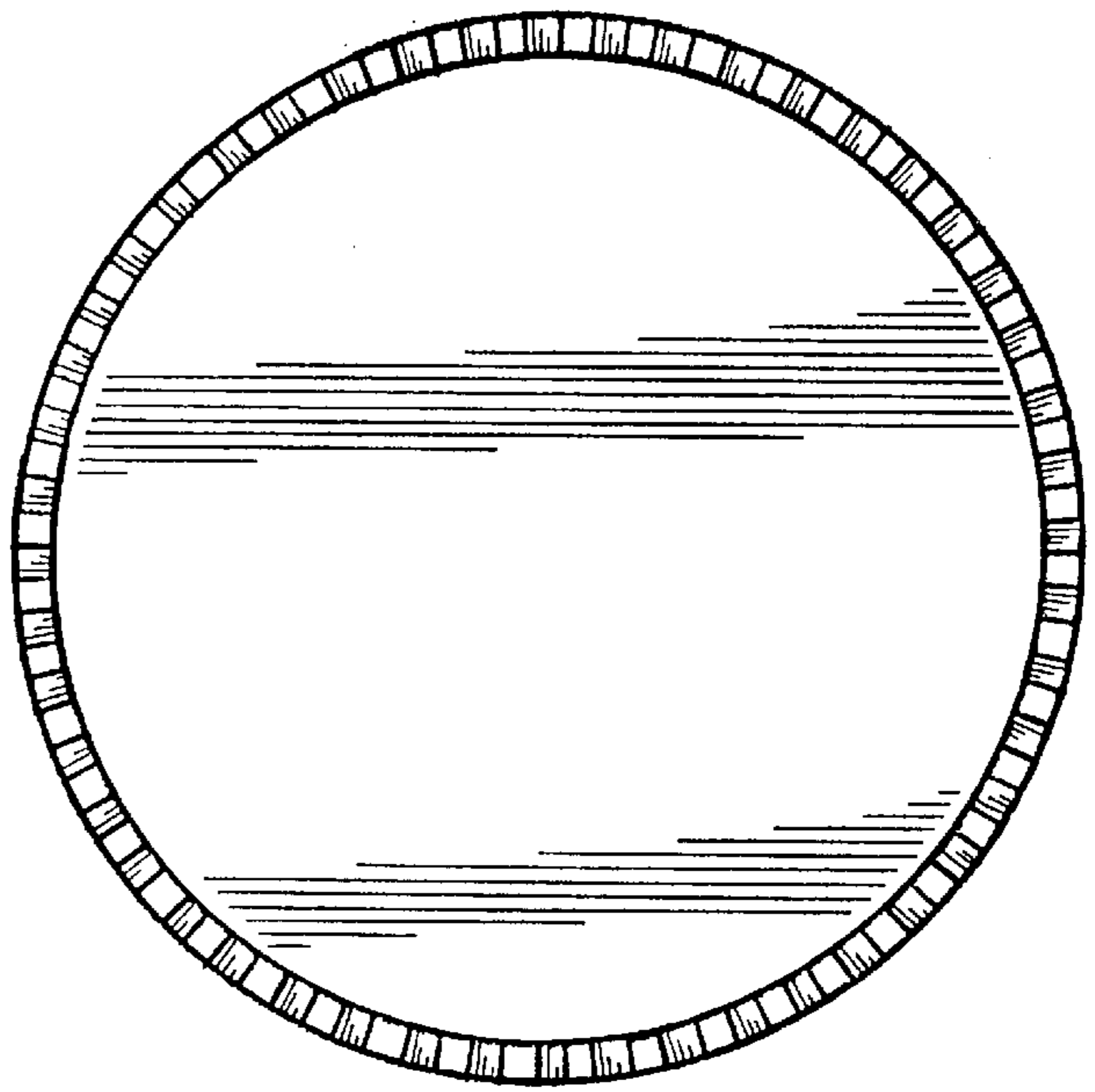


FIG. 5.

FIG. 3.

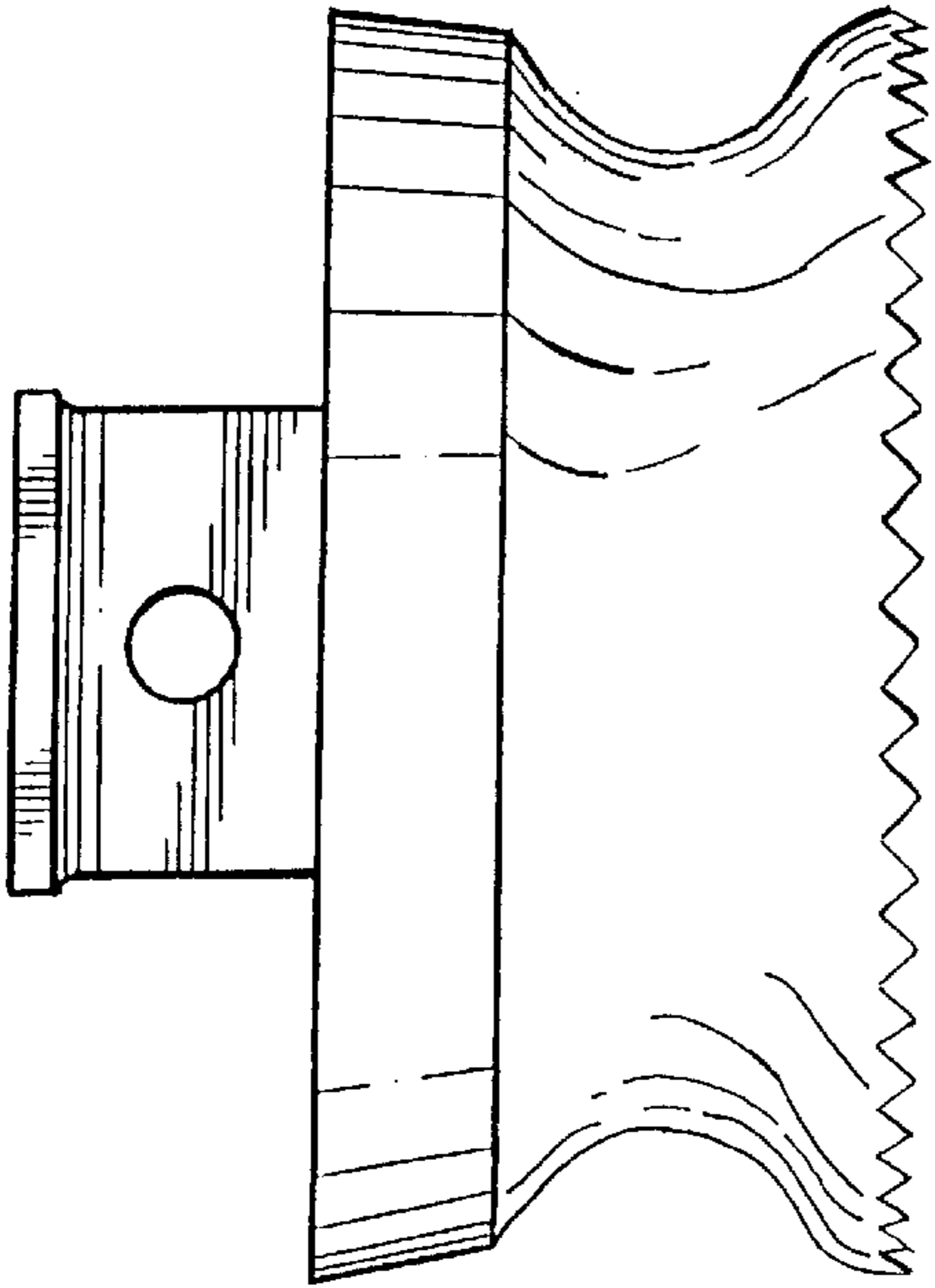


FIG. 4

