



US00D402354S

# United States Patent [19]

Strong et al.

[11] Patent Number: **Des. 402,354**

[45] Date of Patent: **\*\*Dec. 8, 1998**

[54] **FLANGE MASK**

[75] Inventors: **Leonard W. Strong**, Birmingham;  
**Simon R. Day**, Gloucestershire, both of  
Great Britain

[73] Assignee: **Delta Engineering Holdings Limited**,  
London, England

[\*\*] Term: **14 Years**

4,310,933	1/1982	Stratman .....	4/286
4,562,602	1/1986	Cuschera .....	4/286 X
4,700,928	10/1987	Marty .....	251/310
4,793,375	12/1988	Marty .....	137/270
4,821,765	4/1989	Iqbal et al. ....	137/270
4,924,903	5/1990	Orlandi .....	137/454.5
4,944,330	7/1990	Sakakibara et al. ....	137/625.31
5,094,258	3/1992	Orlandi .....	137/454.5
5,318,230	6/1994	Ferguson et al. ....	241/46.013
5,348,042	9/1994	Wagner et al. ....	137/237
5,398,717	3/1995	Goncze .....	137/270

[21] Appl. No.: **77,719**

[22] Filed: **Oct. 9, 1997**

[51] **LOC (6) Cl.** ..... **23-01**

[52] **U.S. Cl.** ..... **D23/259**

[58] **Field of Search** ..... D8/354, 356; D23/249,  
D23/259, 260; 4/650, 286; 241/46.13; D15/138;  
285/363, 3; 137/454.5

### FOREIGN PATENT DOCUMENTS

614553 2/1961 Canada .

*Primary Examiner*—Holly Baynham  
*Attorney, Agent, or Firm*—Isaf, Vaughan & Kerr

### [57] CLAIM

The ornamental design for a “flange mask”, as shown and described.

[56] **References Cited**

**U.S. PATENT DOCUMENTS**

D. 285,044	8/1986	Mockett .....	D8/356
2,323,224	6/1943	Kuhnle .....	4/286
2,782,057	2/1957	Moore, Jr. ....	285/206
2,793,373	5/1957	Ewing .....	4/189
2,923,318	2/1960	Monson .....	137/454.6
3,346,279	10/1967	Stachiw et al. ....	285/363 X
3,411,628	11/1968	Mason .....	210/163
3,693,892	9/1972	Musa .....	241/100.5
3,831,621	8/1974	Anthony et al. ....	137/270
4,144,599	3/1979	Cuschera .....	137/454.5

### DESCRIPTION

FIG. 1 is a perspective view of a flange mask embodying my new design;

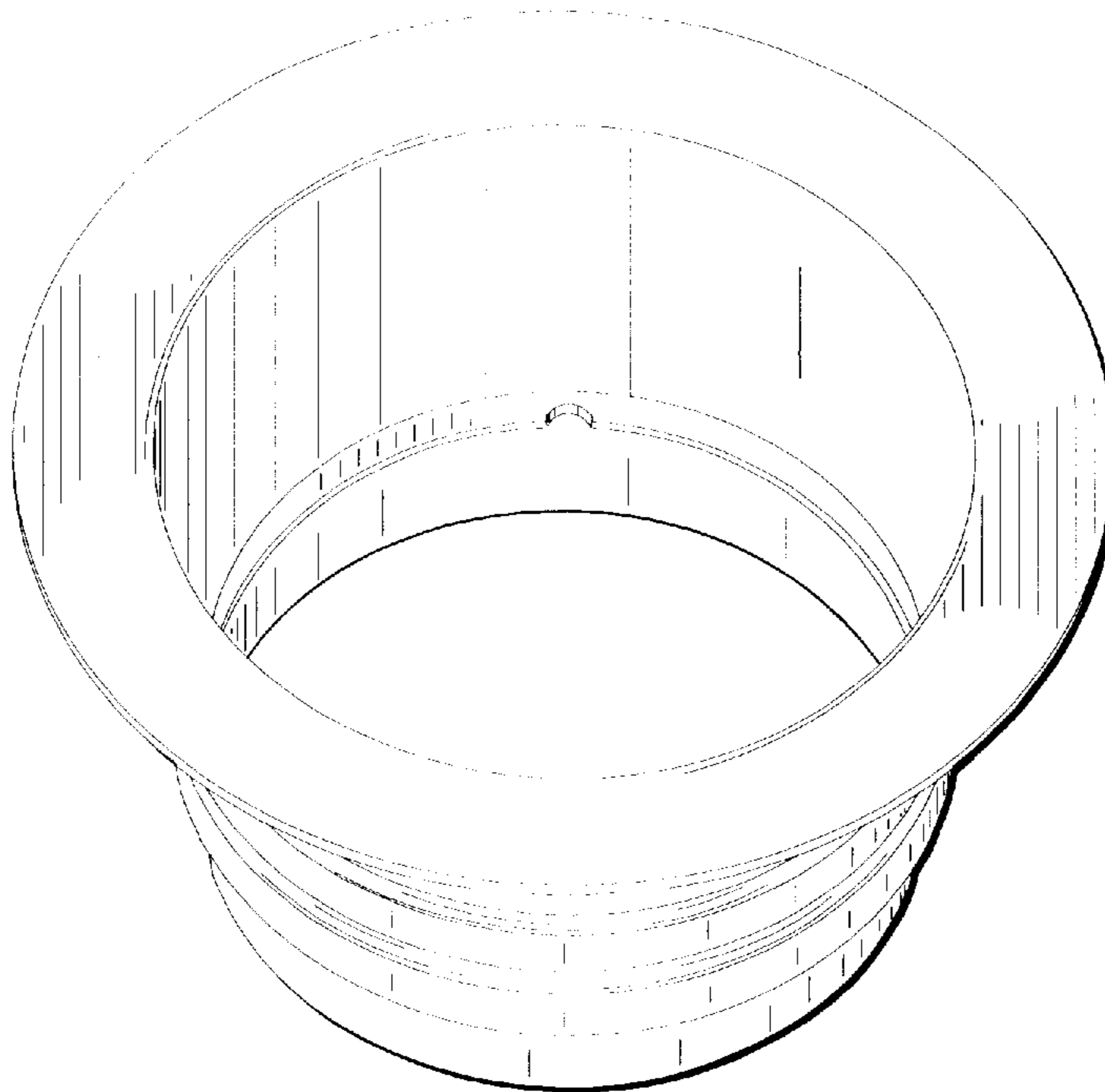
FIG. 2 is a top view thereof;

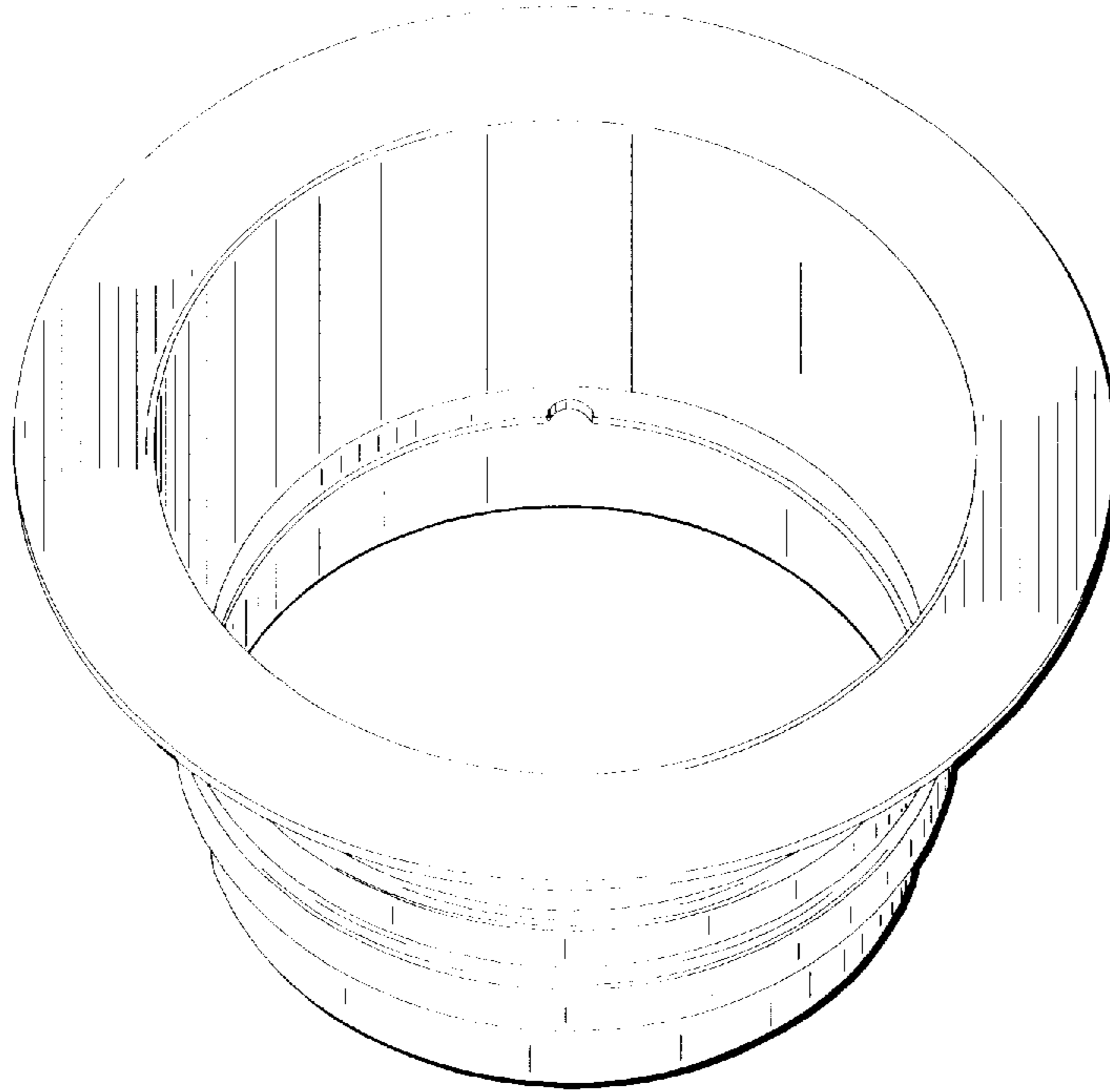
FIG. 3 is a bottom view thereof;

FIG. 4 is a left side view thereof, the back view being identical thereto; and,

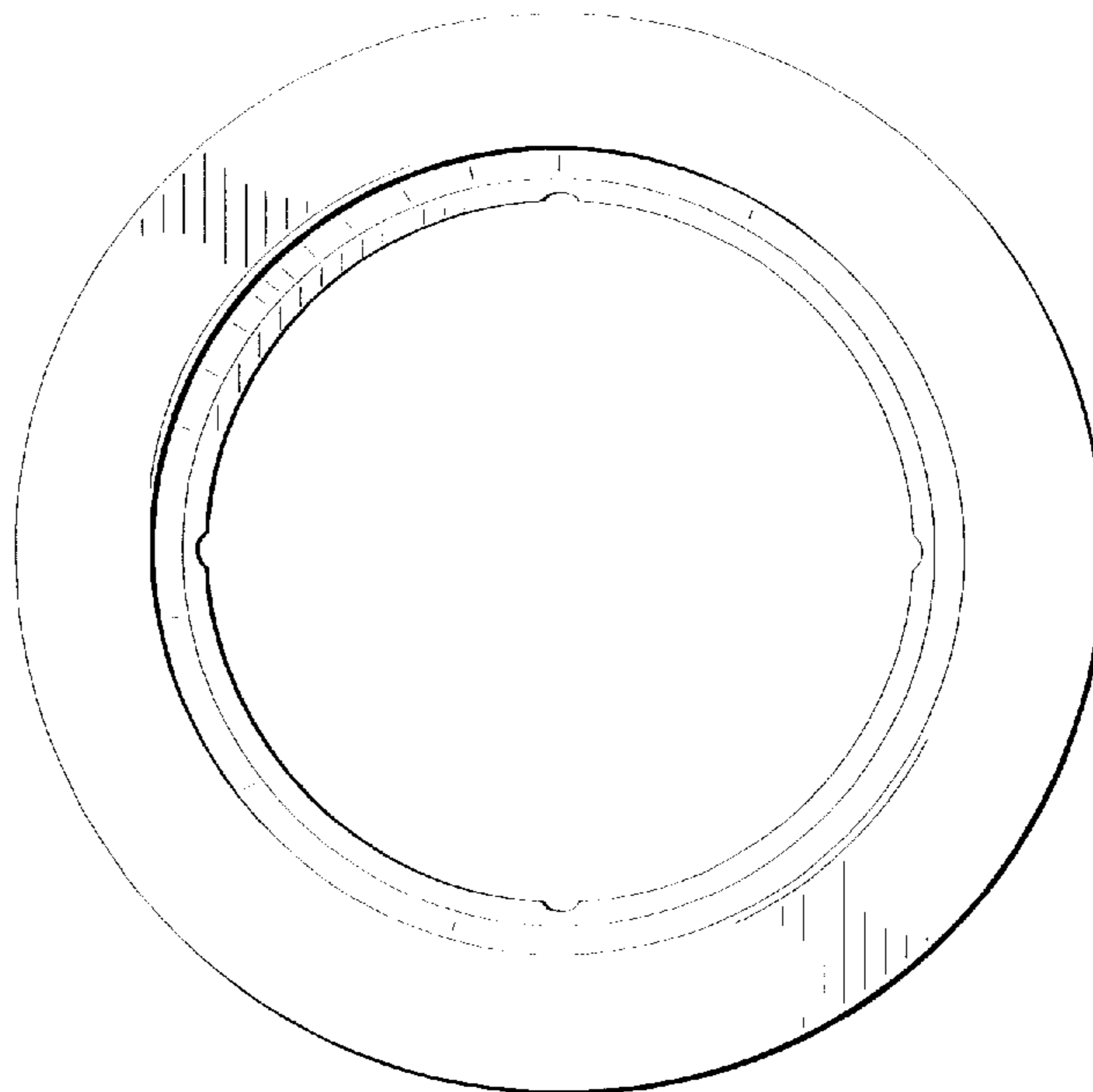
FIG. 5 is a right side view thereof, the front view being identical thereto.

**1 Claim, 2 Drawing Sheets**



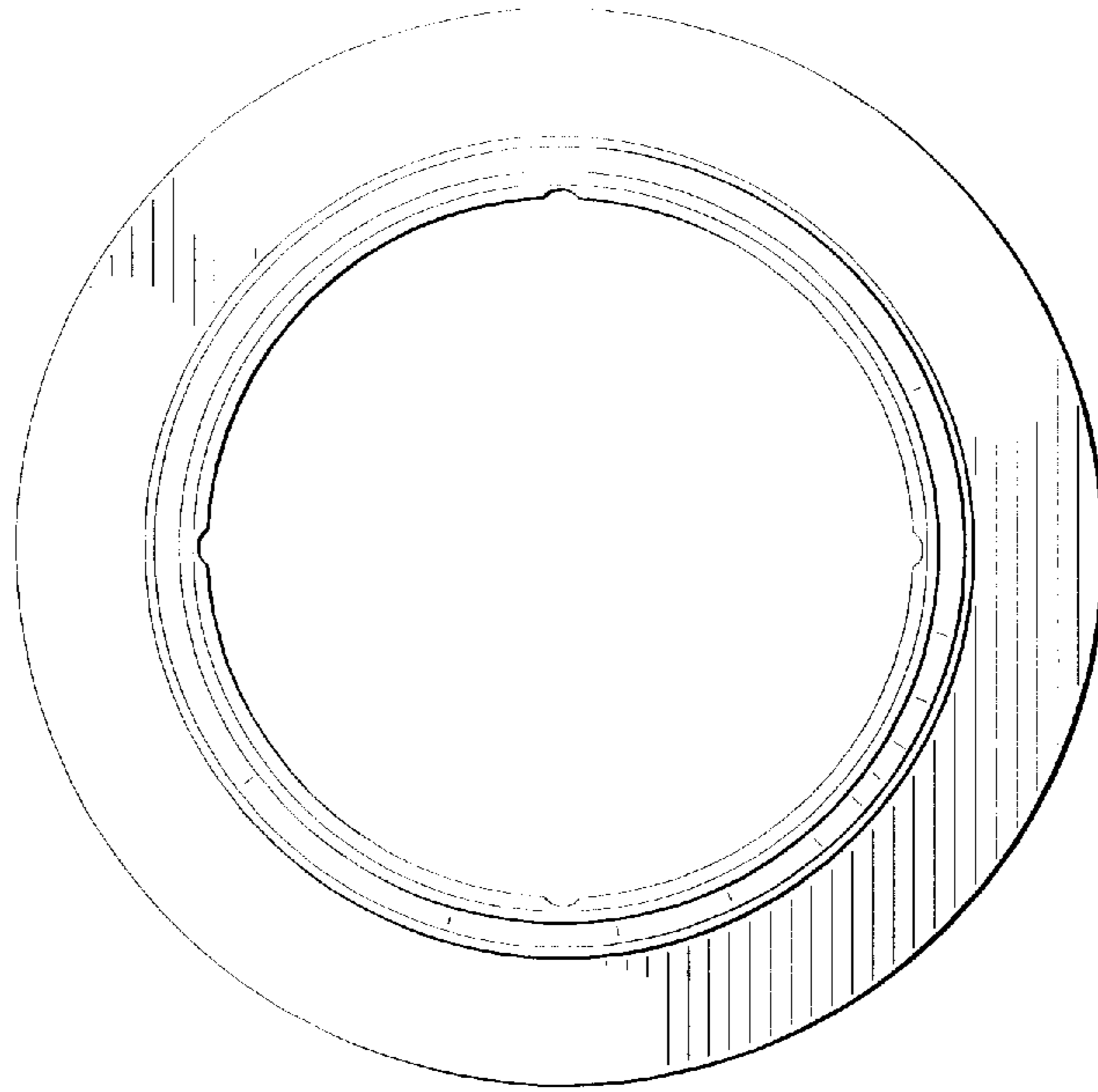


**FIG. 1**

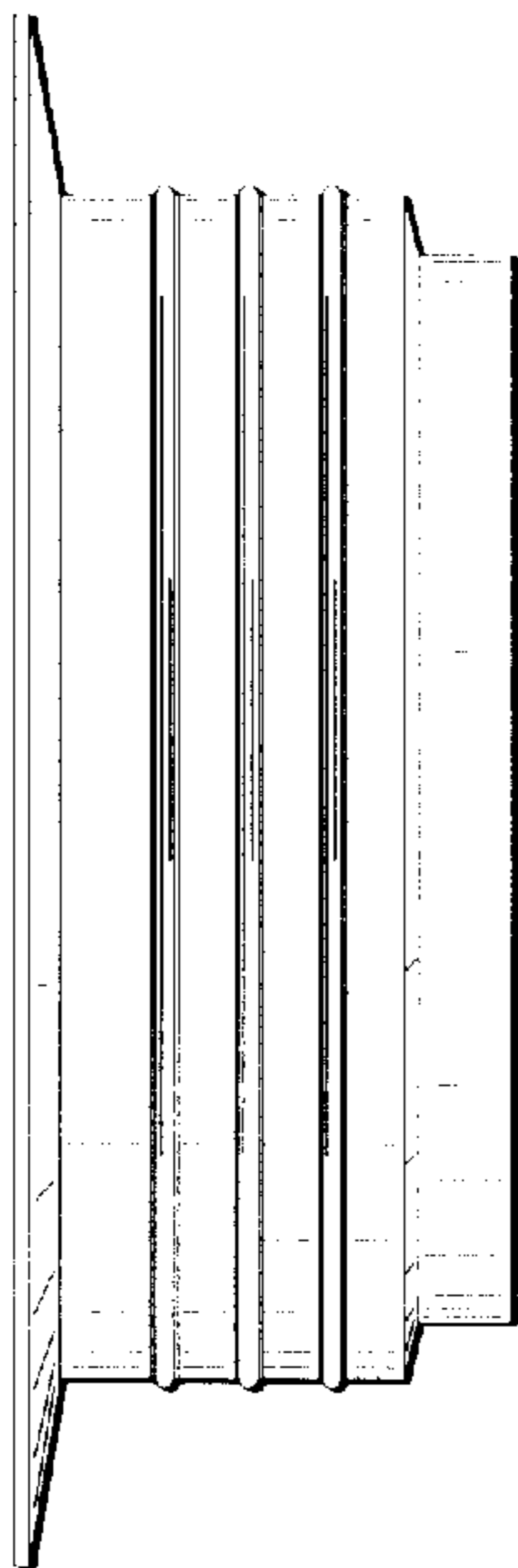


**FIG. 2**

**FIG. 3**



**FIG. 4**



**FIG. 5**

