



US00D402353S

United States Patent [19]

Marcichow et al.

[11] Patent Number: **Des. 402,353**

[45] Date of Patent: ****Dec. 8, 1998**

[54] **CONTROL MODULE FOR A BATTERY-OPERATED FAUCET**

D. 382,941 8/1997 Nortier D23/303 X
4,823,414 4/1989 Piersimoni et al. 4/623

[75] Inventors: **Martin E. Marcichow**, Hoffman Estates; **Richard A. Nortier**, Westchester, both of Ill.

Primary Examiner—Brian N. Vinson
Attorney, Agent, or Firm—Dorn, McEachran, Jambor & Keating

[73] Assignee: **Sloan Valve Company**, Franklin Park, Ill.

[57] **CLAIM**

[**] Term: **14 Years**

The ornamental design for a control module for a battery-operated faucet, as shown and described.

[21] Appl. No.: **76,444**

DESCRIPTION

[22] Filed: **Sep. 11, 1997**

[51] **LOC (6) Cl.** **23-01**

[52] **U.S. Cl.** **D23/249**

[58] **Field of Search** D23/249, 303,
D23/233, 235; 4/623; 137/607, 625.41,
625.4; 361/730, 826, 827, 832, 752, 573

FIG. 1 is a front view of our new control module for a battery-operated faucet;
FIG. 2 is a bottom view thereof;
FIG. 3 is a top view thereof;
FIG. 4 is a back view thereof;
FIG. 5 is a left side view thereof; and,
FIG. 6 is a right side view thereof.

[56] **References Cited**

U.S. PATENT DOCUMENTS

D. 332,485 1/1993 Shaw D23/303 X

1 Claim, 2 Drawing Sheets

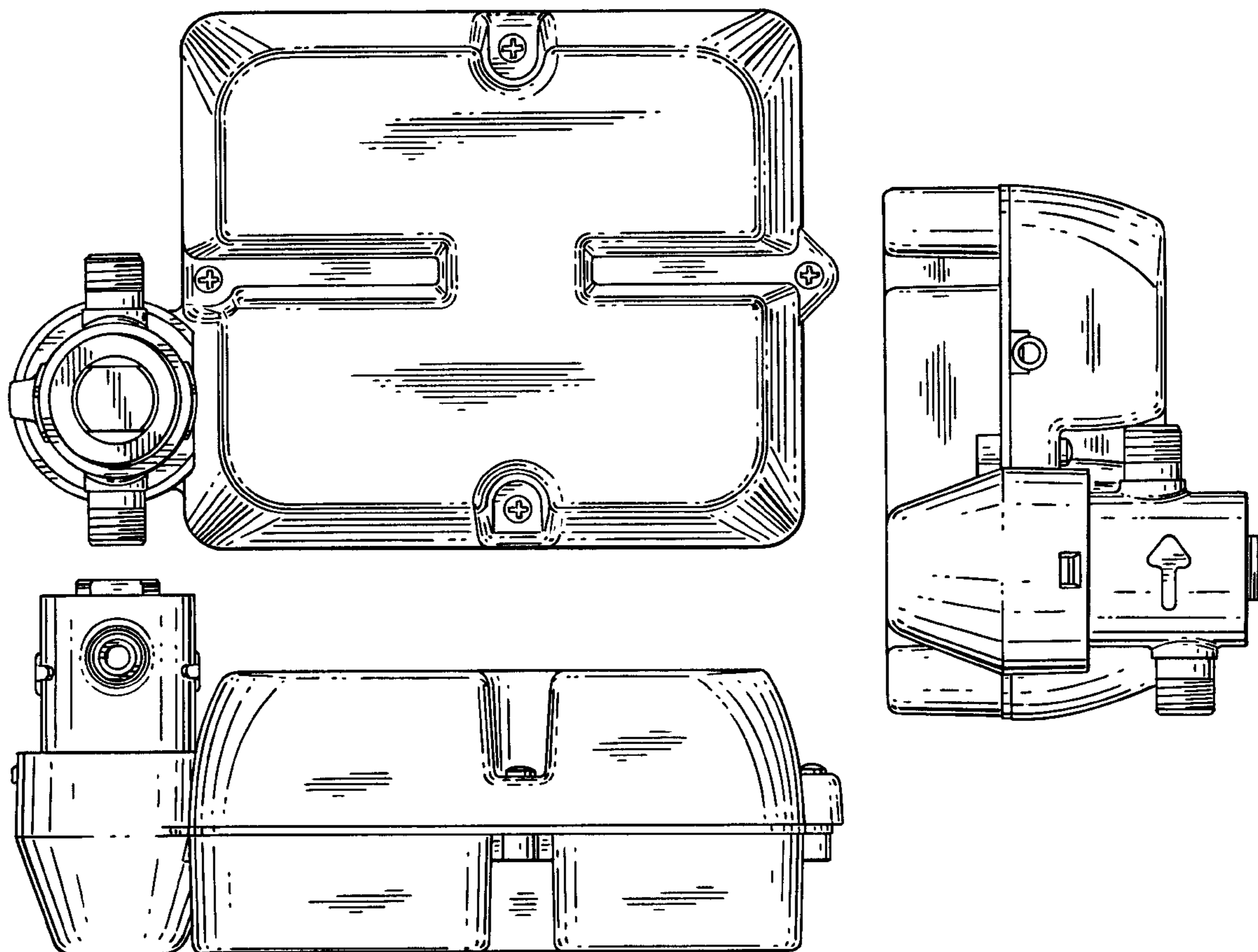


Fig. 1.

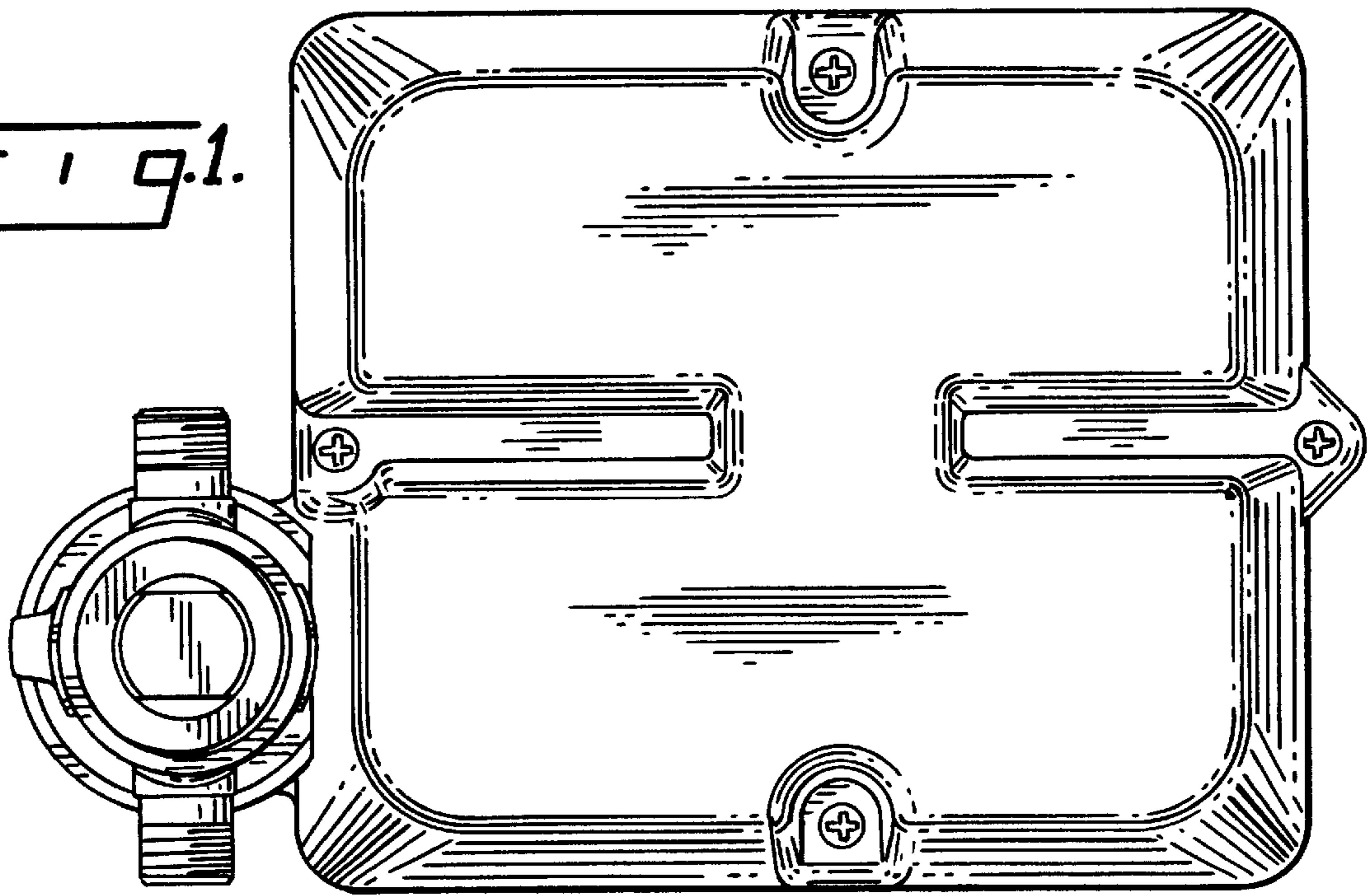


Fig. 2.

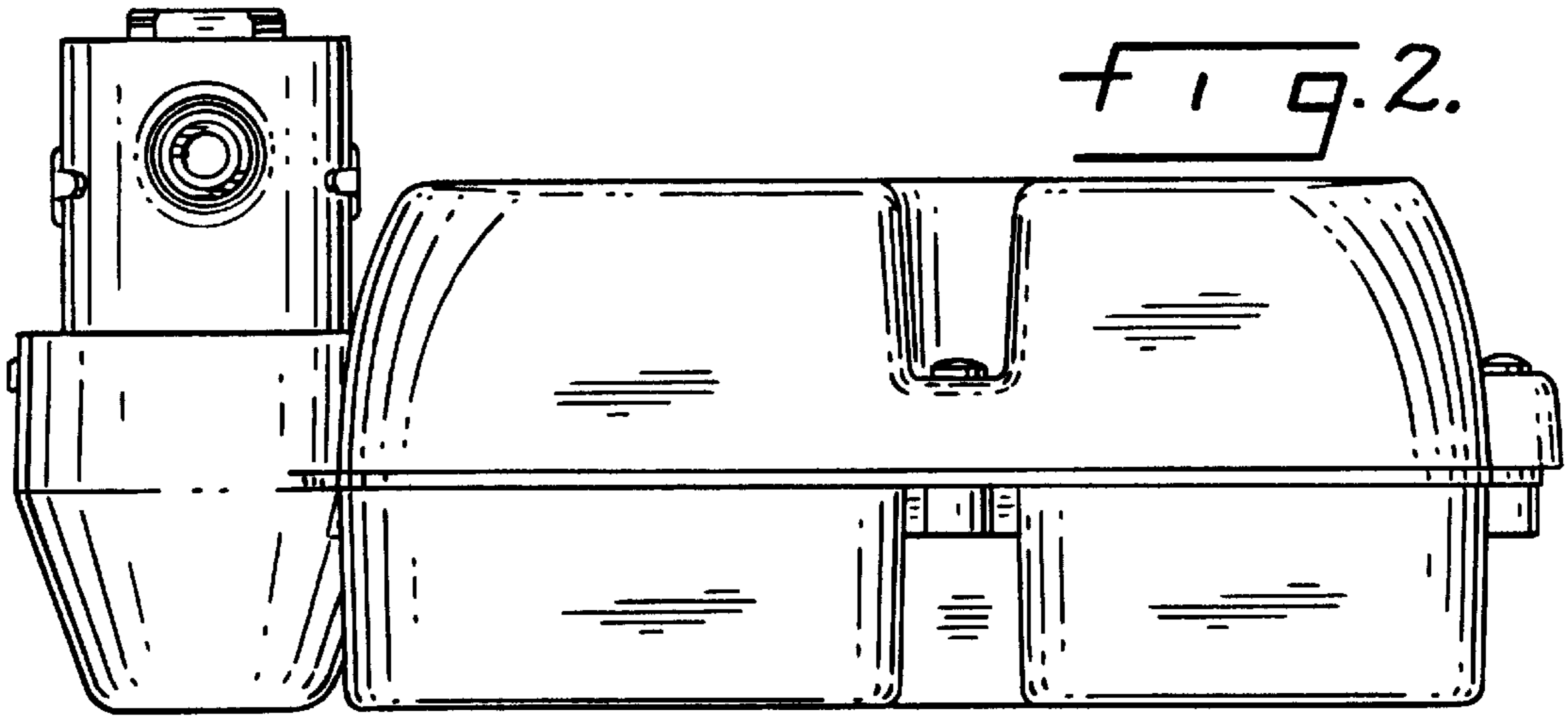
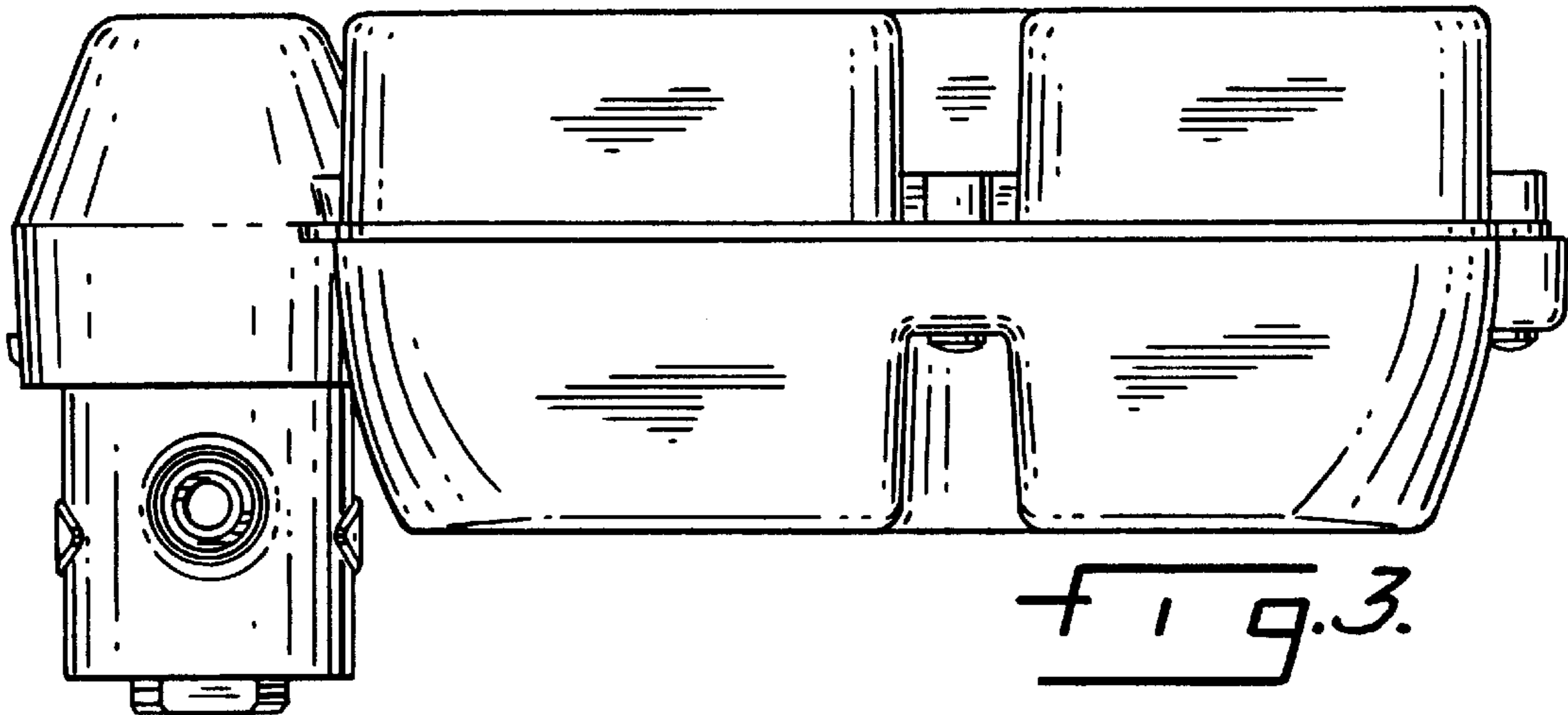


Fig. 3.



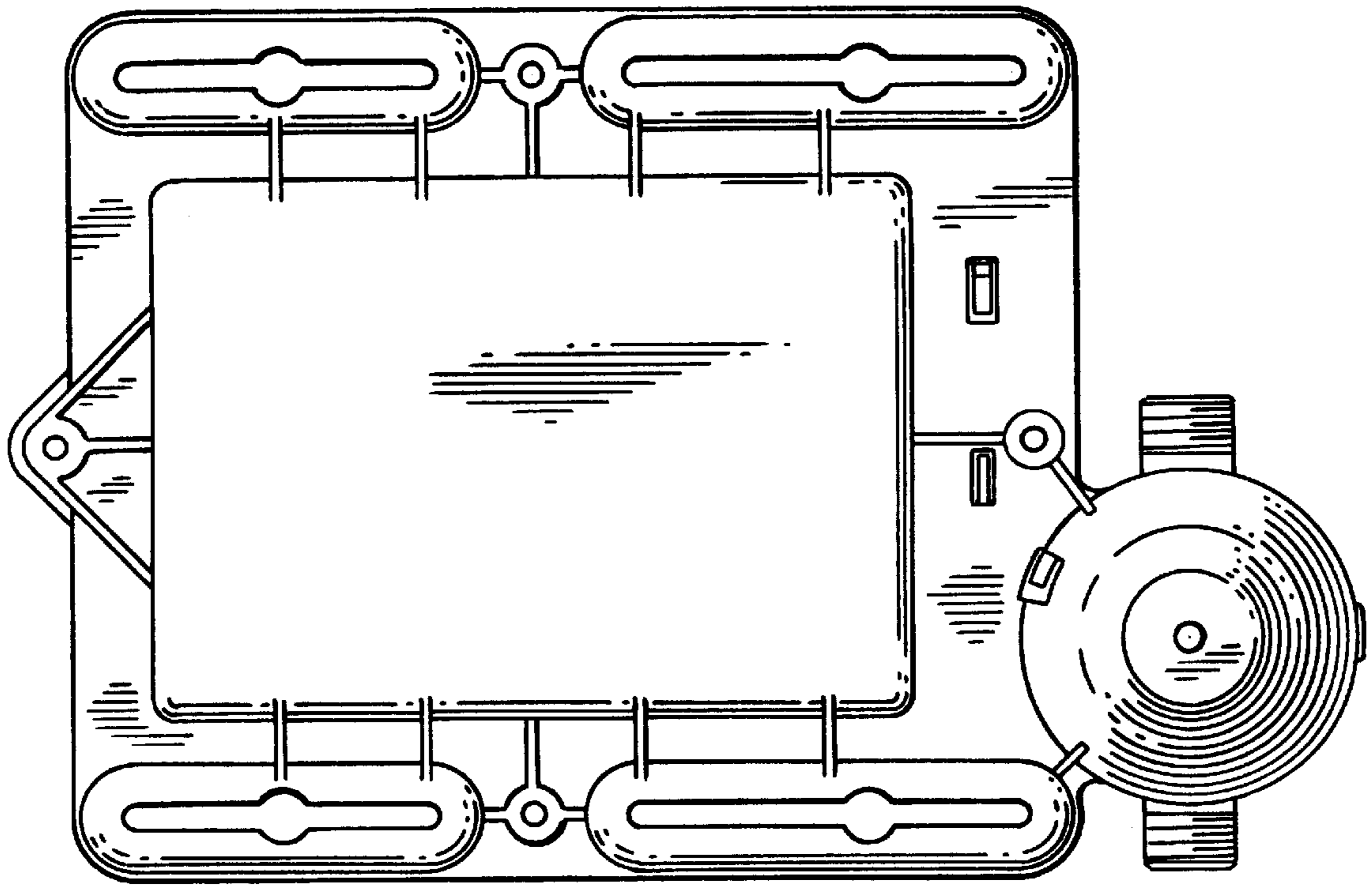


Fig. 4.

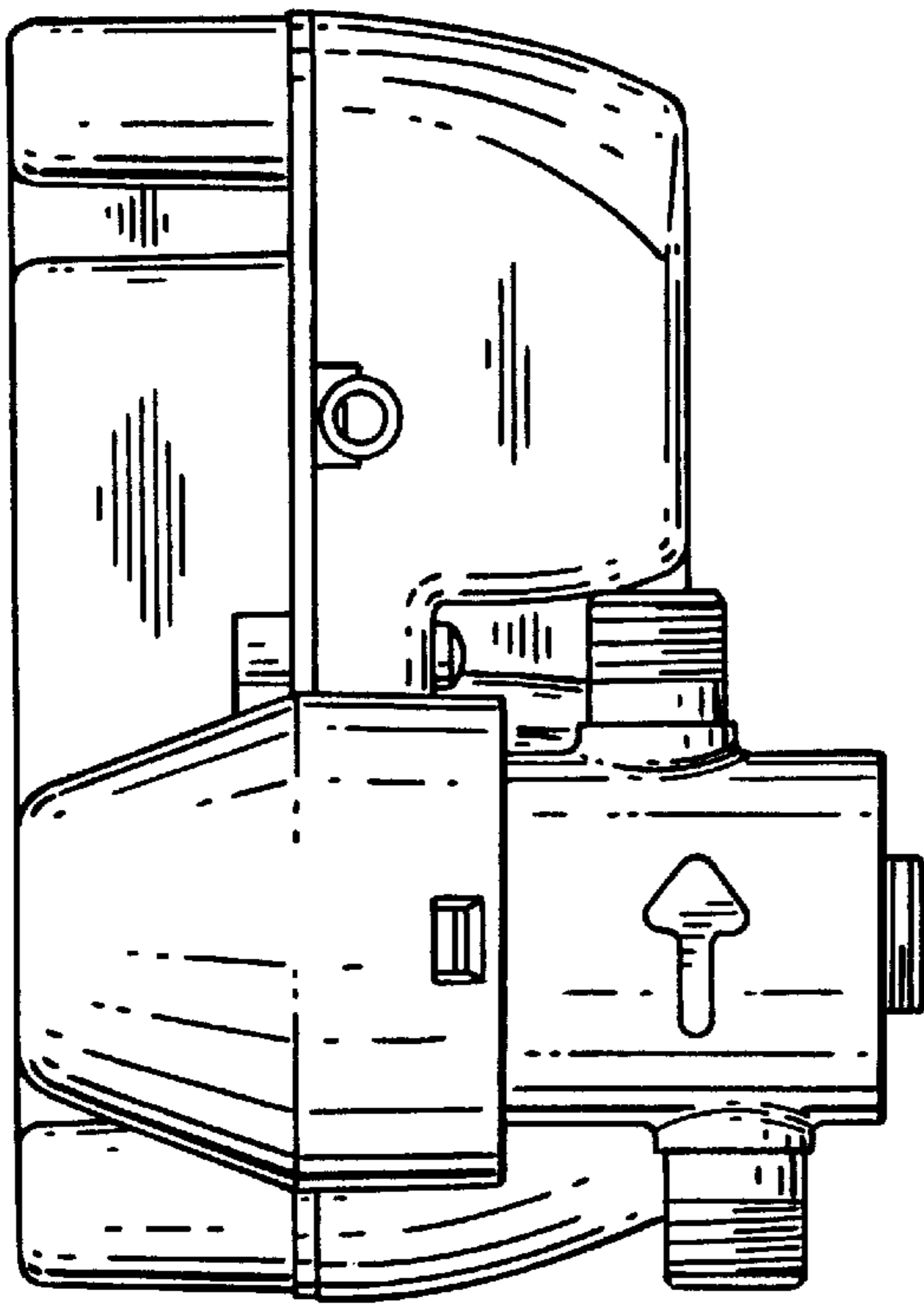


Fig. 5.

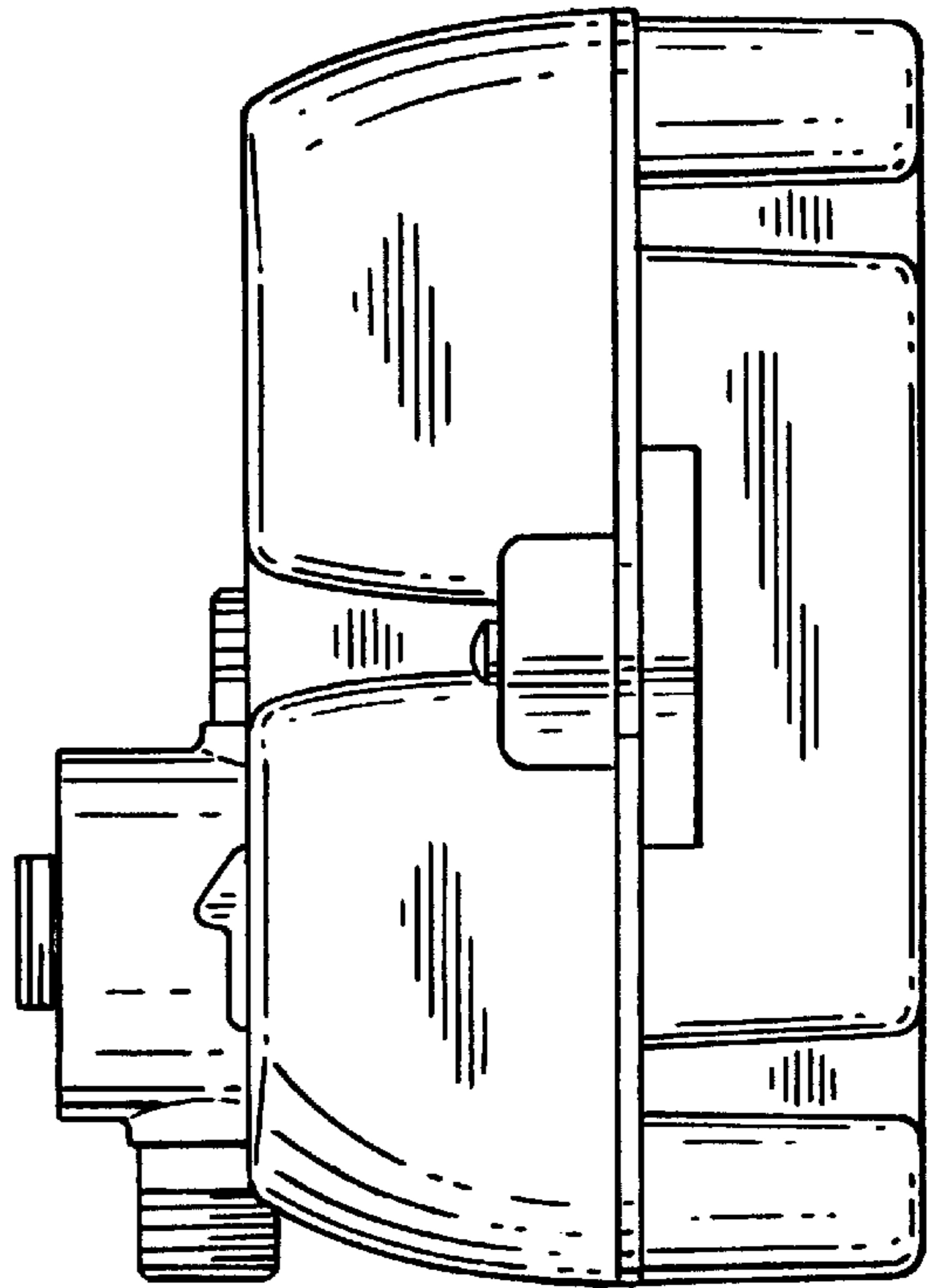


Fig. 6.