



US00D402352S

United States Patent [19]

Ficken, Jr. et al.

[11] Patent Number: **Des. 402,352**

[45] Date of Patent: ****Dec. 8, 1998**

[54] FAUCET ASSEMBLY

[75] Inventors: **William H. Ficken, Jr.**, Grayslake, Ill.;
Michael W. Regelbrugge, Reynolds,
Ind.; **Roger H. Ramsey**, Akron, Ohio;
Cherry Bochmann, Richfield, Ohio;
William E. Brazis, Medina, Ohio

[73] Assignee: **Gerber Plumbing Fixtures Corp.**,
Chicago, Ill.

[**] Term: **14 Years**

[21] Appl. No.: **69,447**

[22] Filed: **Apr. 1, 1997**

[51] LOC (6) Cl. **23-01**

[52] U.S. Cl. **D23/241**

[58] Field of Search D23/238-243,
D23/250-257; 4/675-678; 137/801

[56] **References Cited**

U.S. PATENT DOCUMENTS

D. 284,499 7/1986 Yost D23/241

D. 347,466 5/1994 Kolada et al. D23/241
D. 361,827 8/1995 Dougaty et al. D23/241
D. 381,397 7/1997 Sheffes D23/238
D. 384,397 9/1997 Dougaty et al. D23/241

Primary Examiner—Louis S. Zarfes
Assistant Examiner—Eric Watterson
Attorney, Agent, or Firm—McDermott, Will & Emery

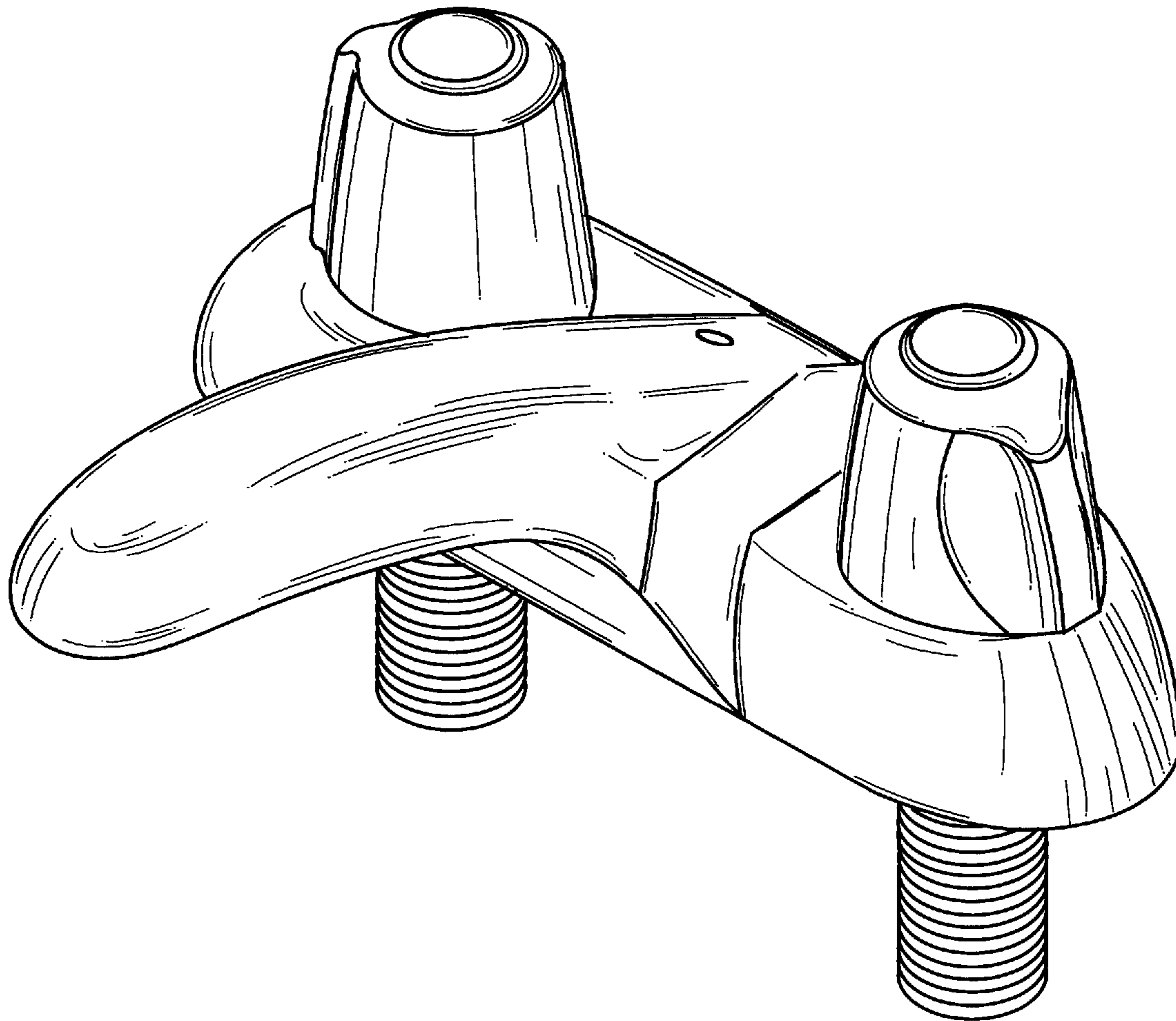
[57] **CLAIM**

The ornamental design for a faucet assembly, as shown.

DESCRIPTION

FIG. 1 is a perspective view showing our new design;
FIG. 2 is a front view thereof;
FIG. 3 is a rear view thereof;
FIG. 4 is a left side view thereof;
FIG. 5 is a right side view thereof;
FIG. 6 is a top plan view thereof; and,
FIG. 7 is a bottom plan view thereof.

1 Claim, 4 Drawing Sheets



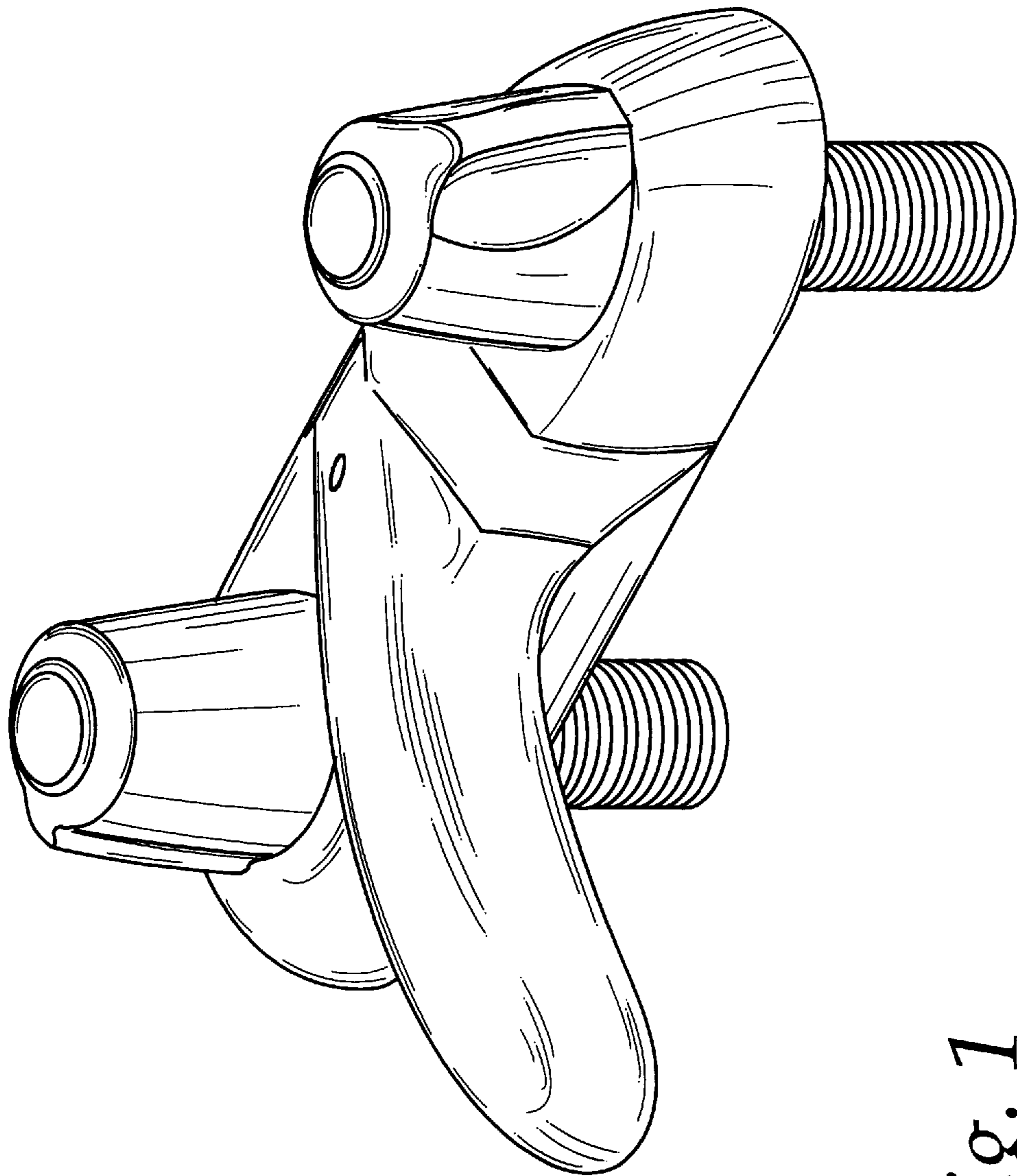


Fig. 1

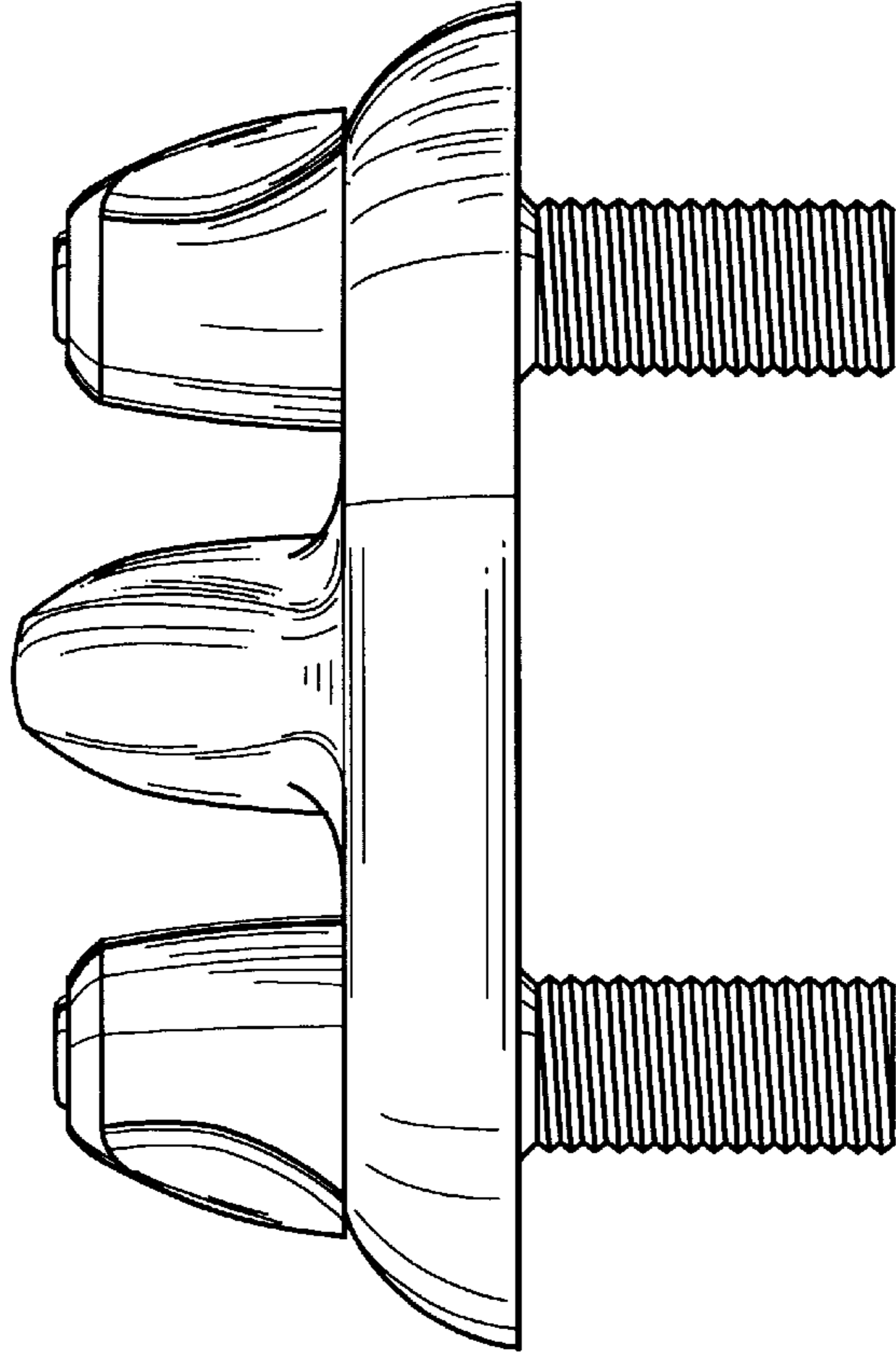


Fig. 3

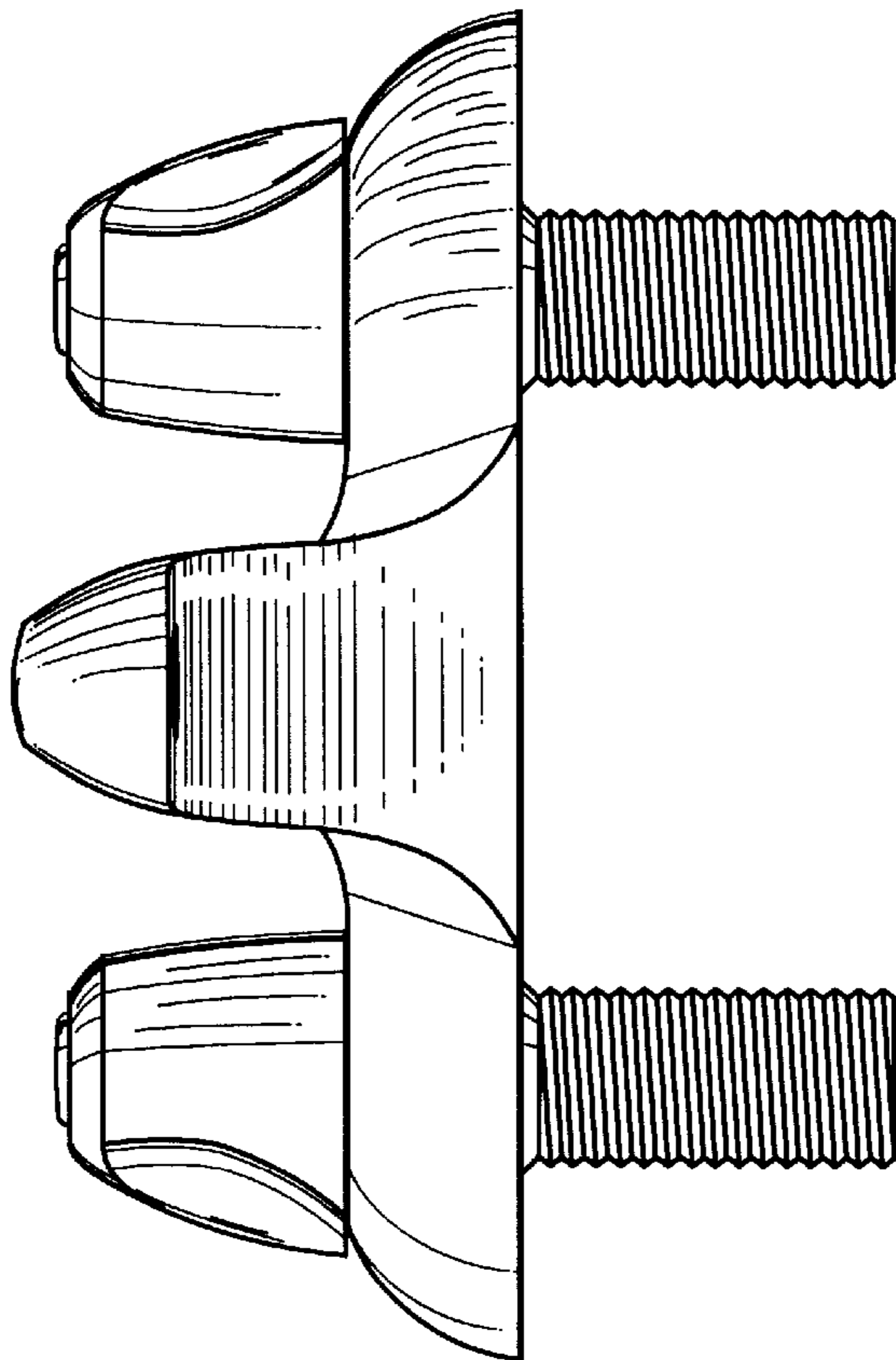


Fig. 2

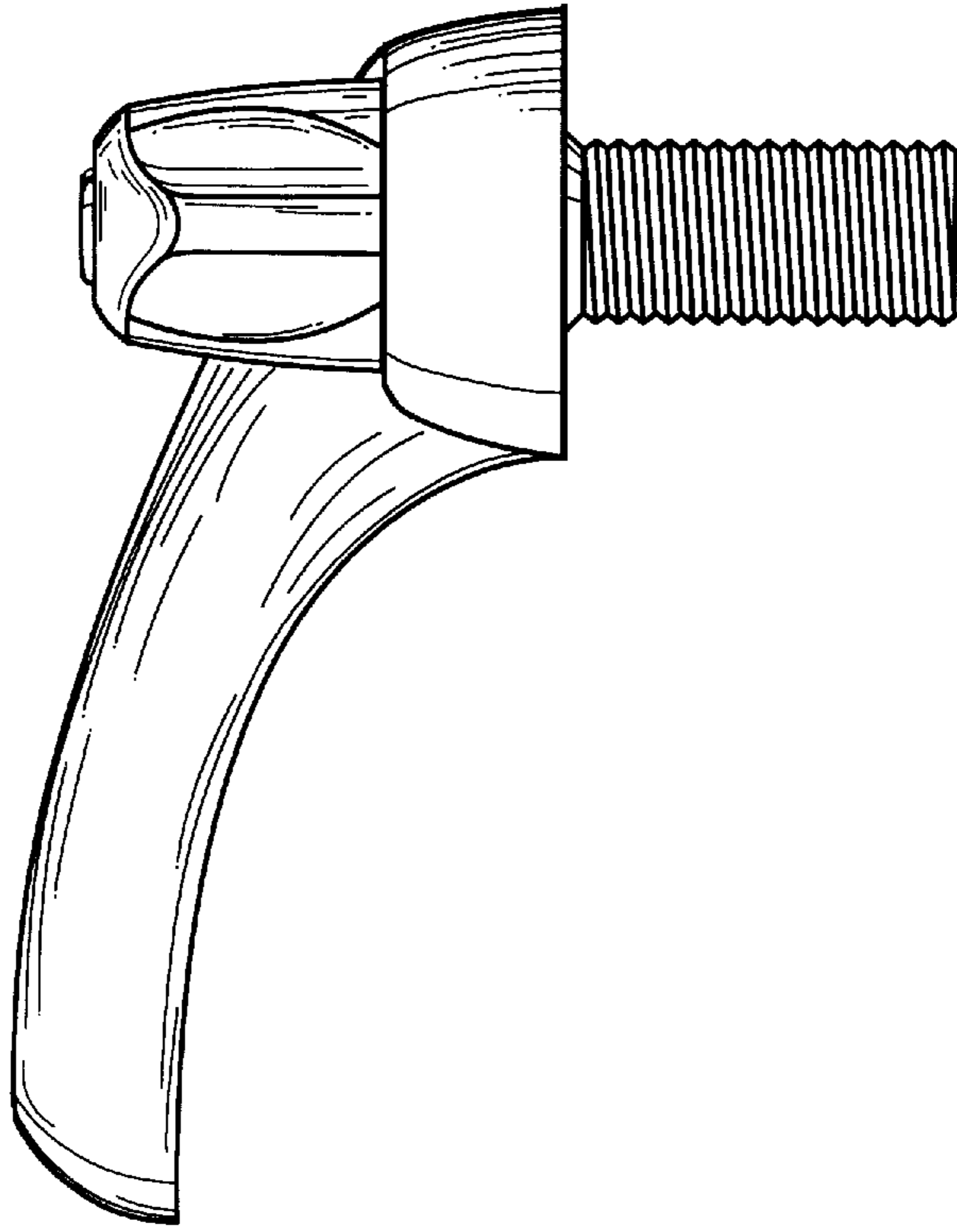


Fig. 5

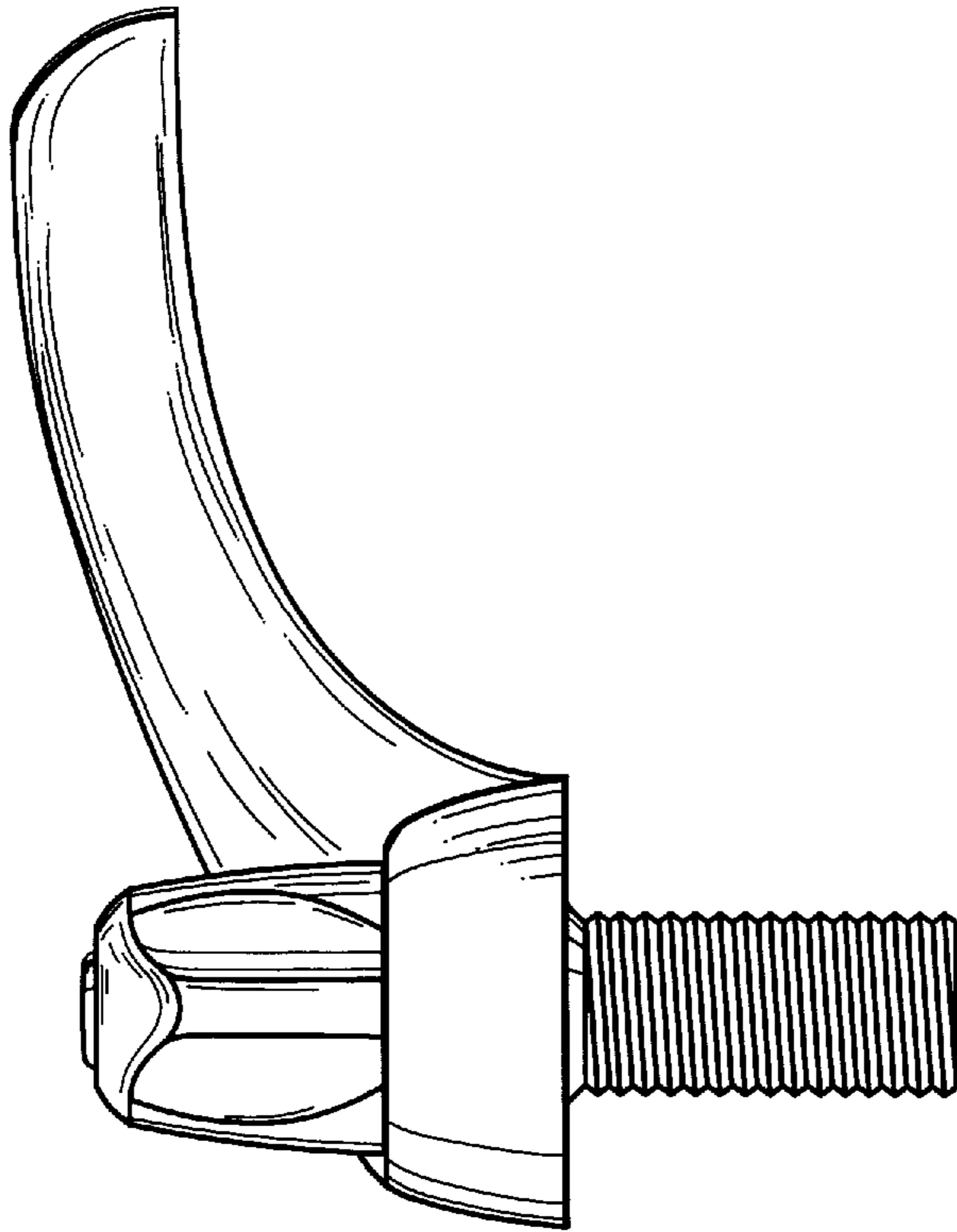


Fig. 4

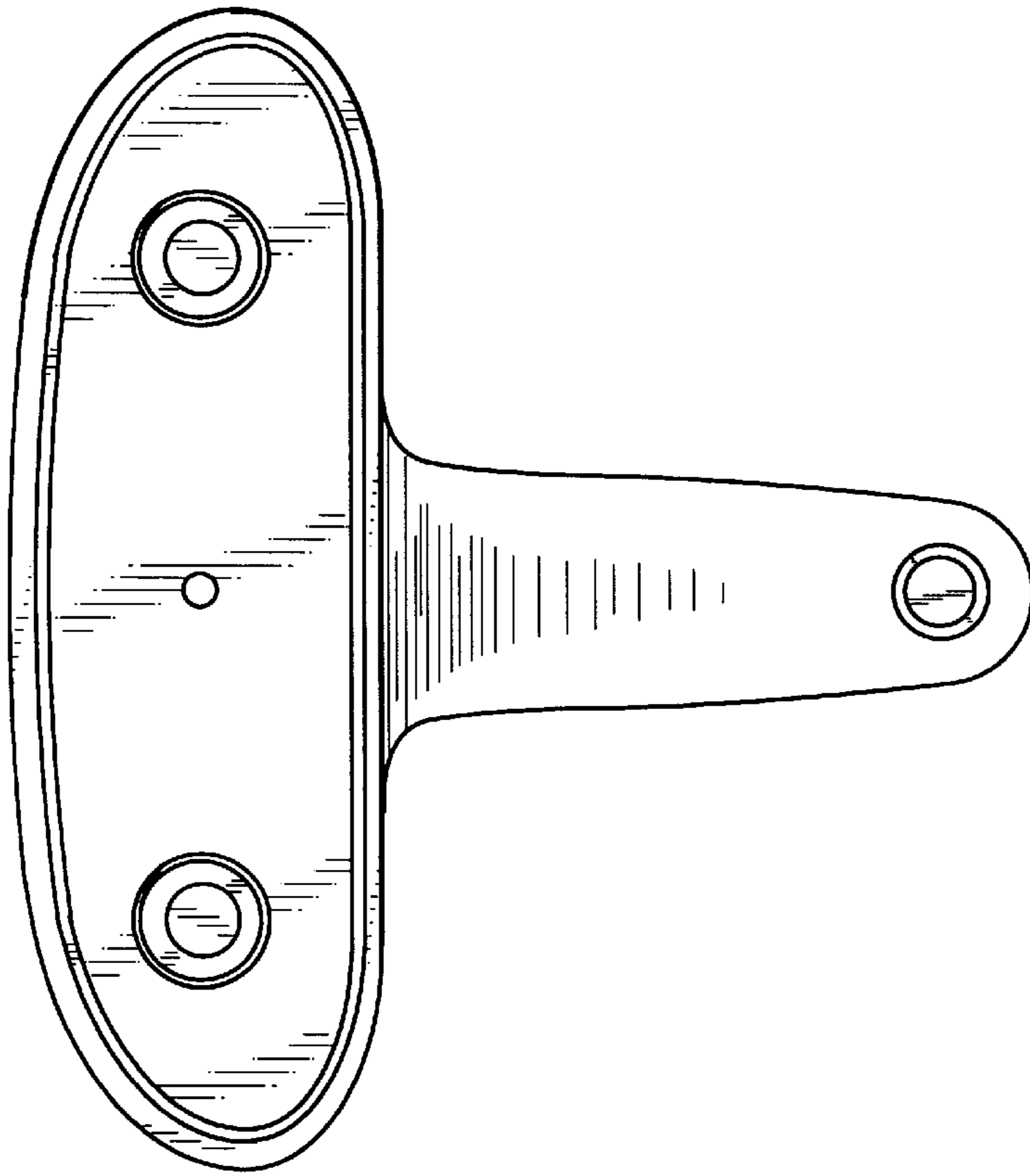


Fig. 7

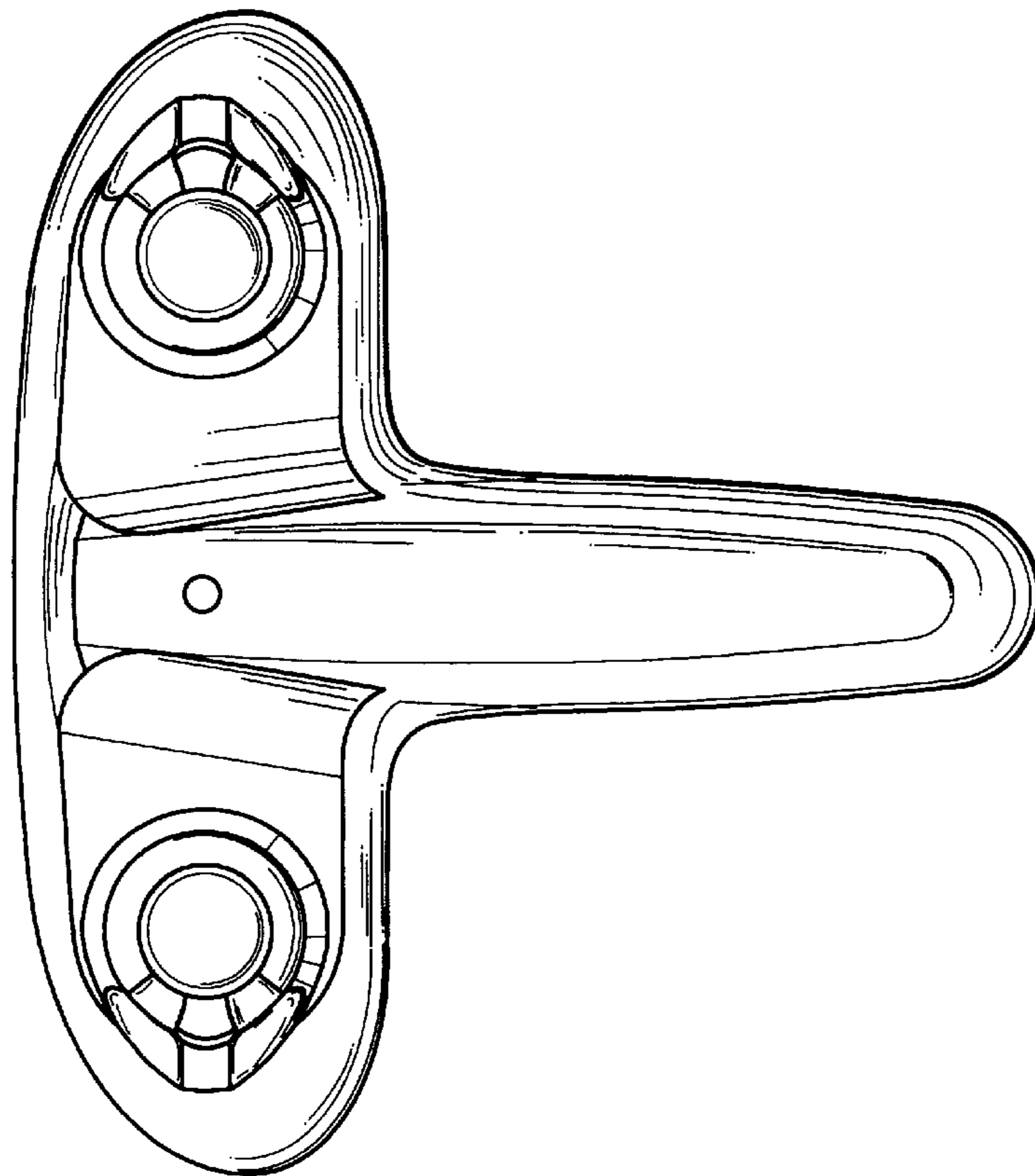


Fig. 6