



US00D402351S

United States Patent [19]
Lord

[11] **Patent Number: Des. 402,351**

[45] **Date of Patent: ***Dec. 8, 1998**

[54] **FAUCET**

[75] **Inventor: Judd A. Lord, Carmel, Ind.**

[73] **Assignee: Masco Corporation of Indiana, Indianapolis, Ind.**

[*] **Notice:** The term of this patent shall not extend beyond the expiration date of Pat. No. D. 398,374.

[**] **Term: 14 Years**

[21] **Appl. No.: 77,464**

[22] **Filed: Oct. 6, 1997**

[51] **LOC (6) Cl. 23-01**

[52] **U.S. Cl. D23/238**

[58] **Field of Search D23/238-243, D23/250-257; 4/675-678; 137/801**

[56] **References Cited**

U.S. PATENT DOCUMENTS

- D. 235,546 6/1975 Landell D23/238
- D. 297,357 8/1988 Spangler .
- D. 323,377 1/1992 Haug et al. .
- D. 331,795 12/1992 Hill et al. .
- D. 357,304 4/1995 Haug et al. .
- D. 358,866 5/1995 Haug et al. .

- D. 367,697 3/1996 Haug et al. .
- D. 367,917 3/1996 Houg et al. D23/238
- D. 368,764 4/1996 Hill et al. D23/238
- D. 387,131 12/1997 Short D23/238

Primary Examiner—Louis S. Zarfes
Assistant Examiner—Eric Watterson
Attorney, Agent, or Firm—Myron B. Kapustij; Malcolm L Sutherland

[57] **CLAIM**

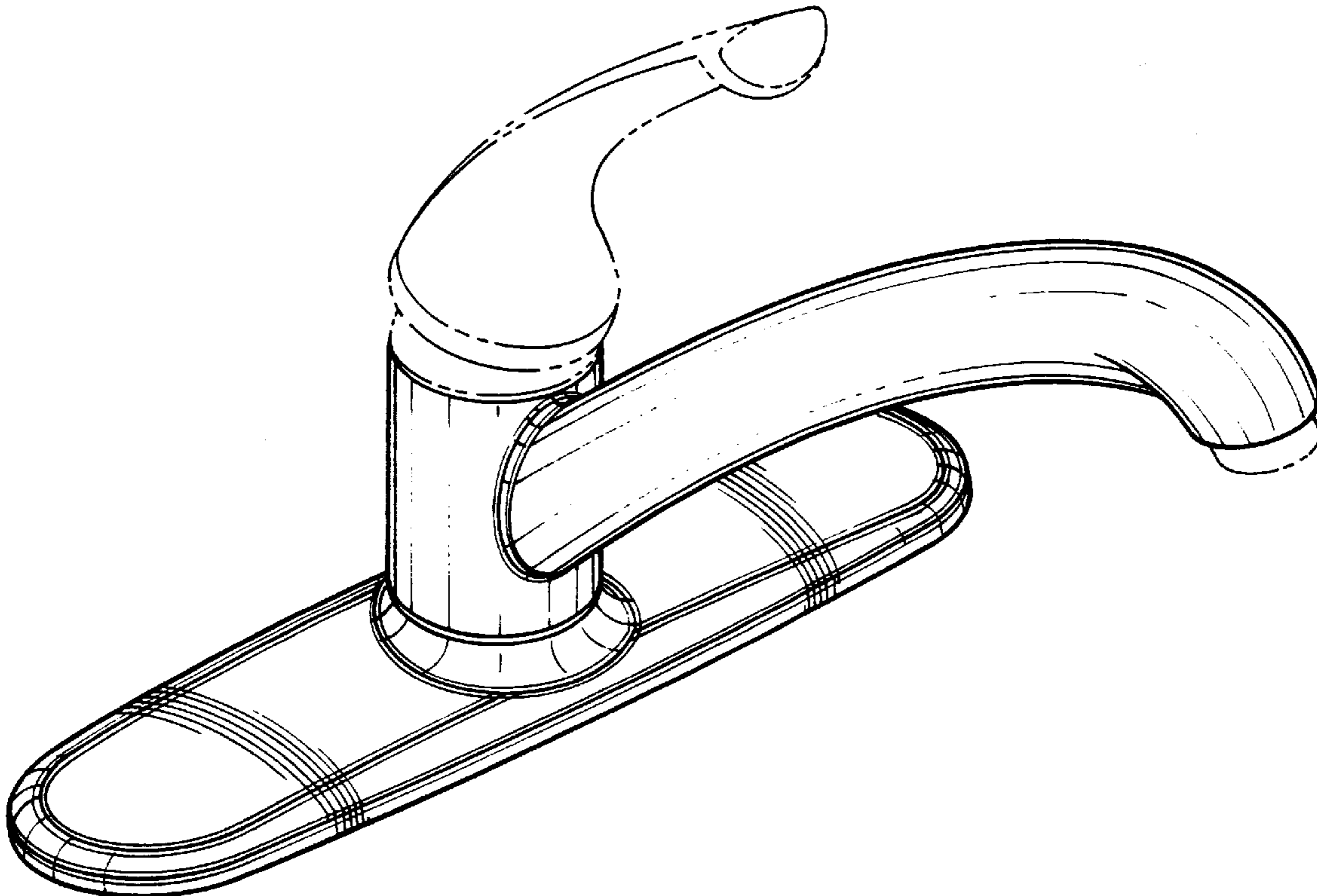
The ornamental design for a faucet, as shown and described.

DESCRIPTION

FIG. 1 is a front perspective view of a faucet showing my new design;
FIG. 2 is a rear perspective view thereof;
FIG. 3 is a top plan view thereof;
FIG. 4 is a front elevational view thereof;
FIG. 5 is a right side elevational view thereof, the left side being a mirror image;
FIG. 6 is a rear elevational view thereof; and,
FIG. 7 is a bottom plan view thereof.

The broken line showings of the aerator in FIGS. 1-2, 4-5 and 7, of the handle in FIGS. 1-2, 4-5 and 7, and of the bonnet nut in FIGS. 1-2 and 4-5 are for purposes of illustration only and form no part of the claimed design.

1 Claim, 4 Drawing Sheets



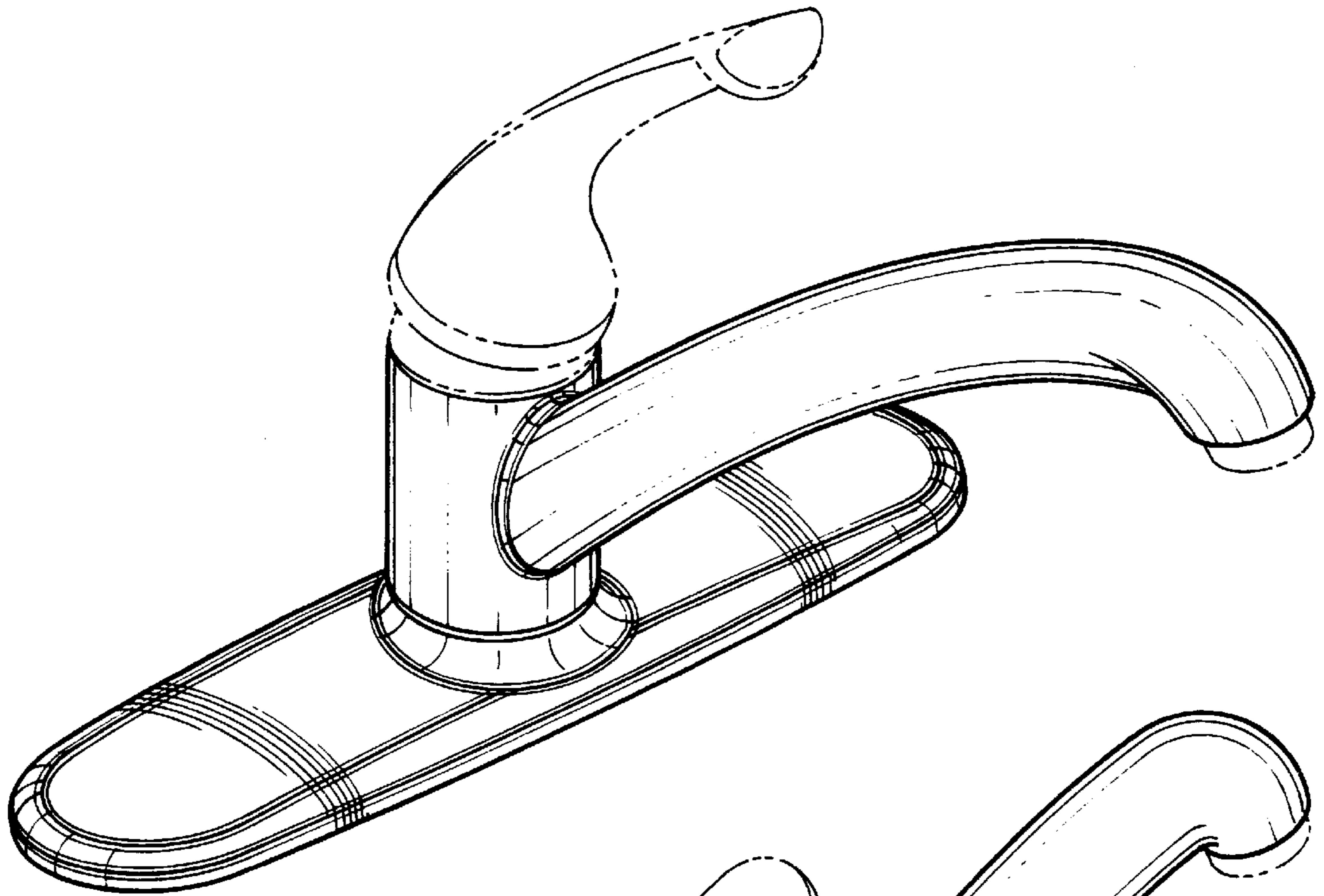


Fig - 1

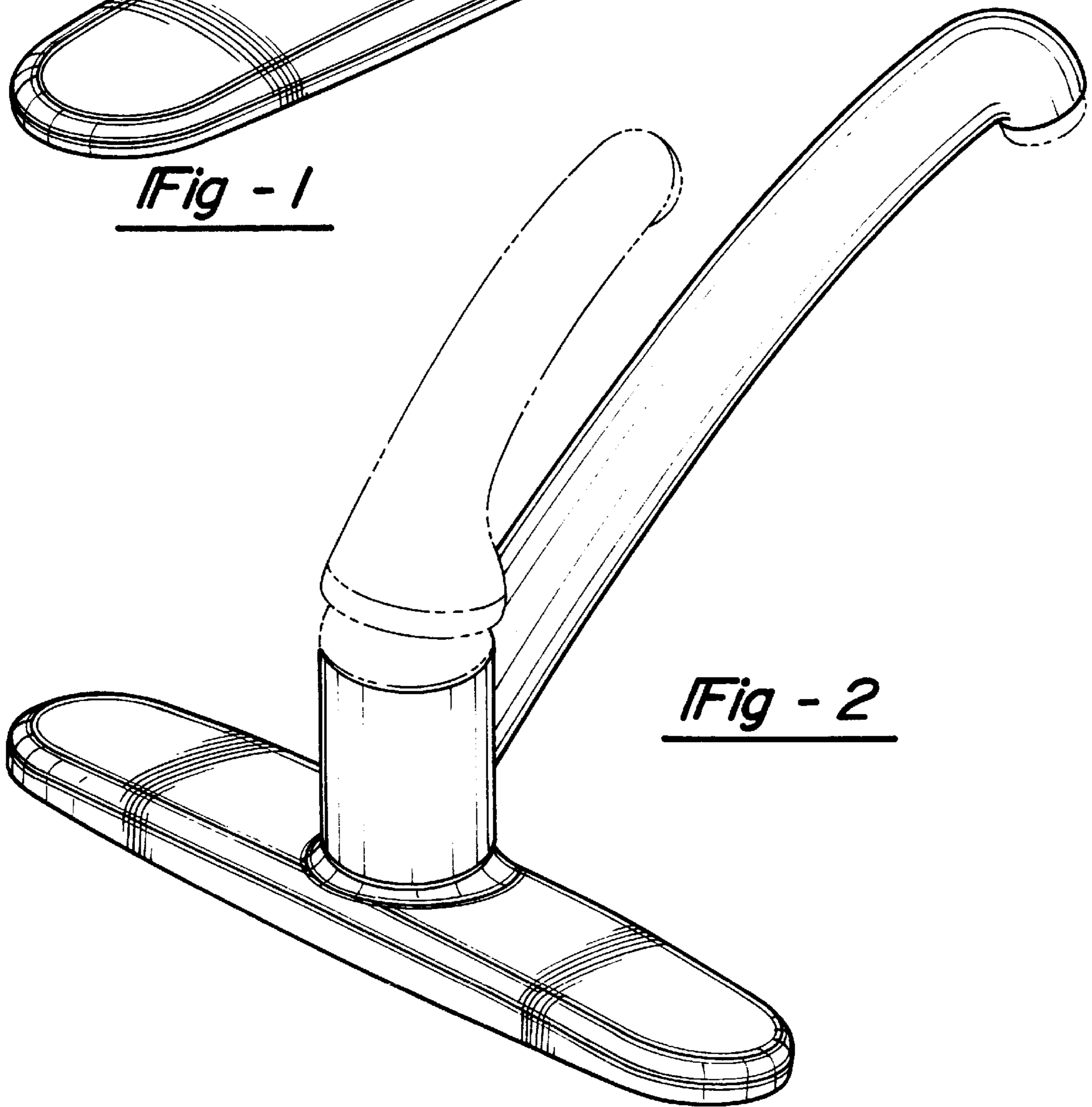


Fig - 2

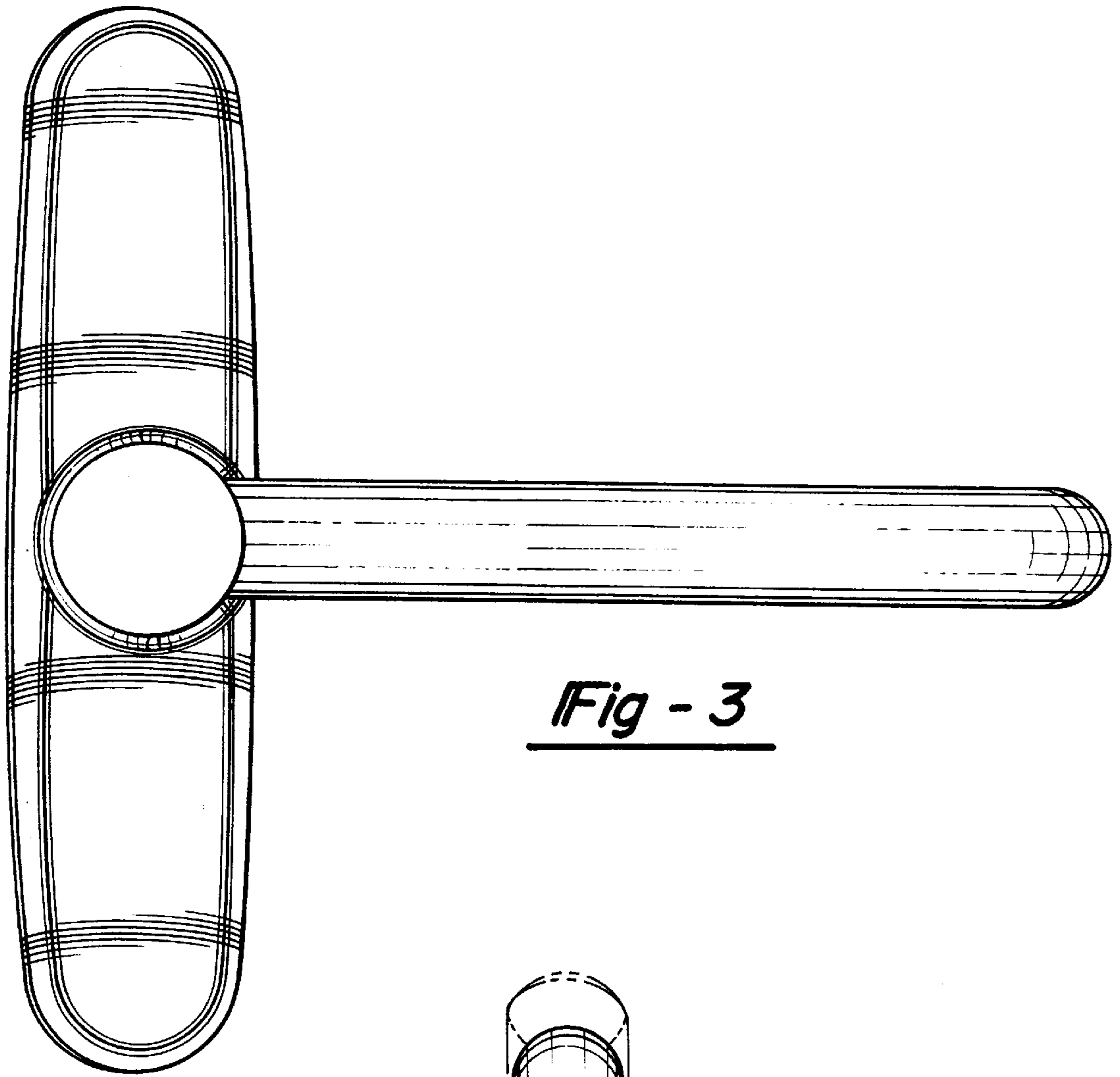


Fig - 3

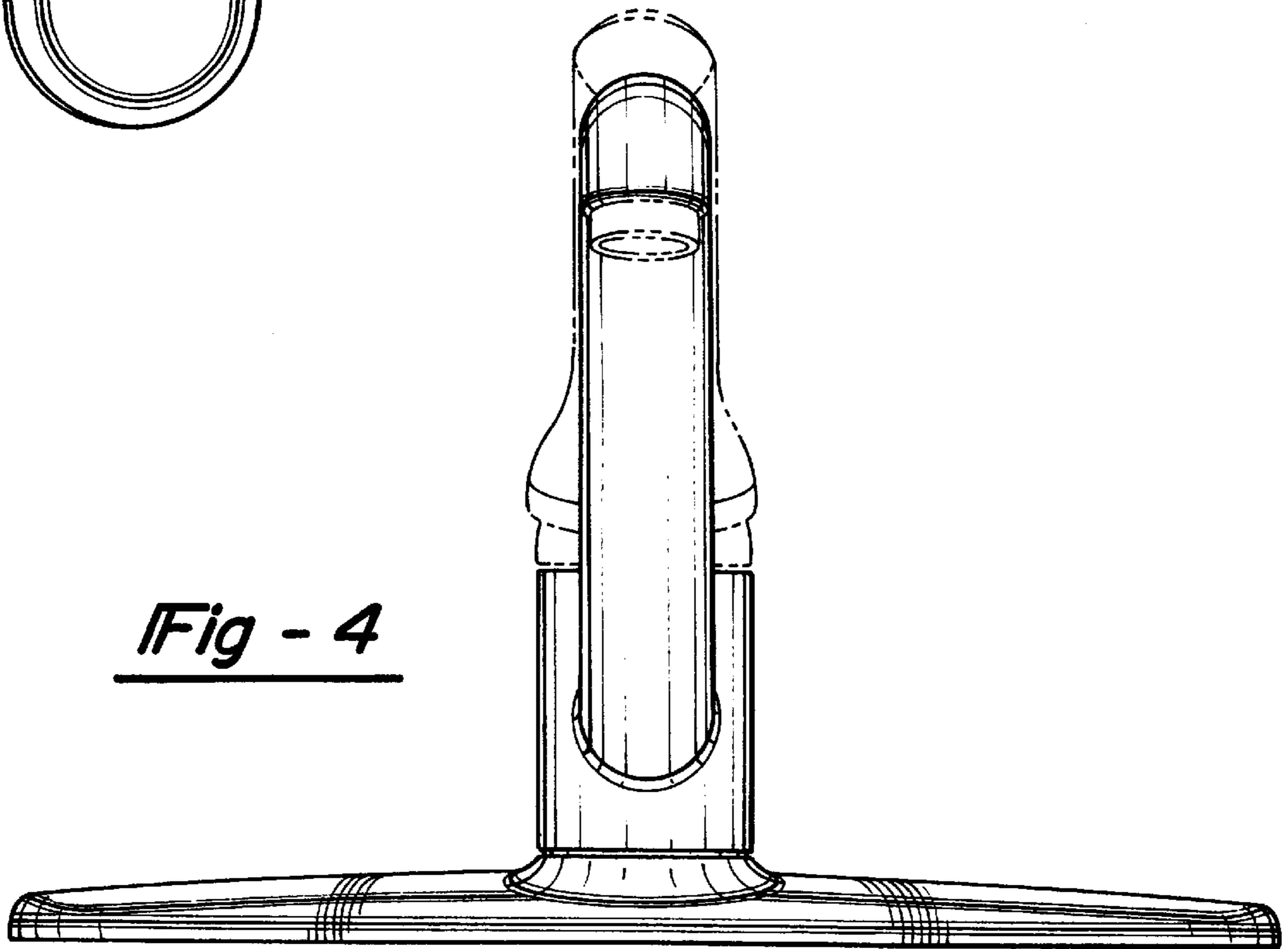
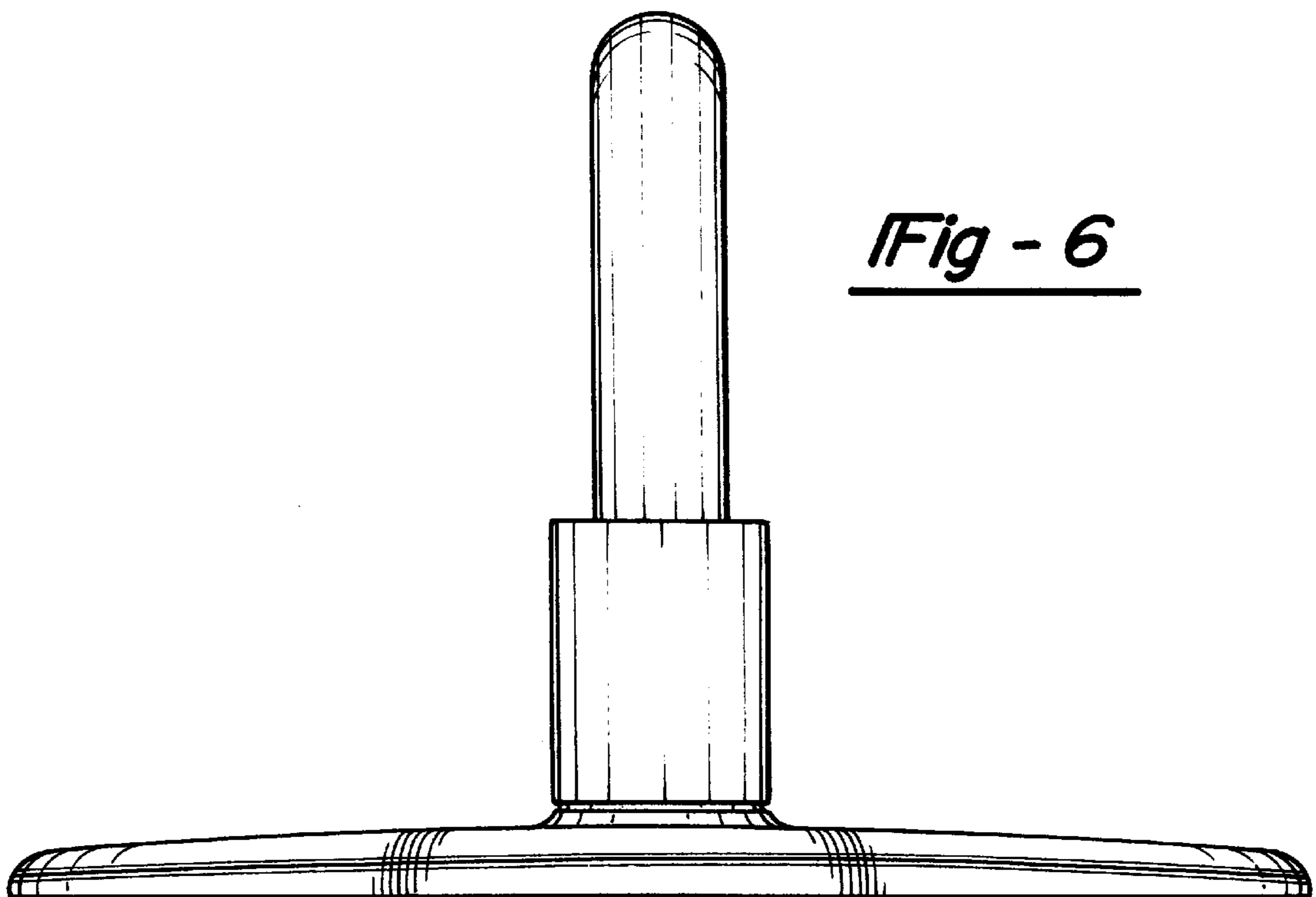
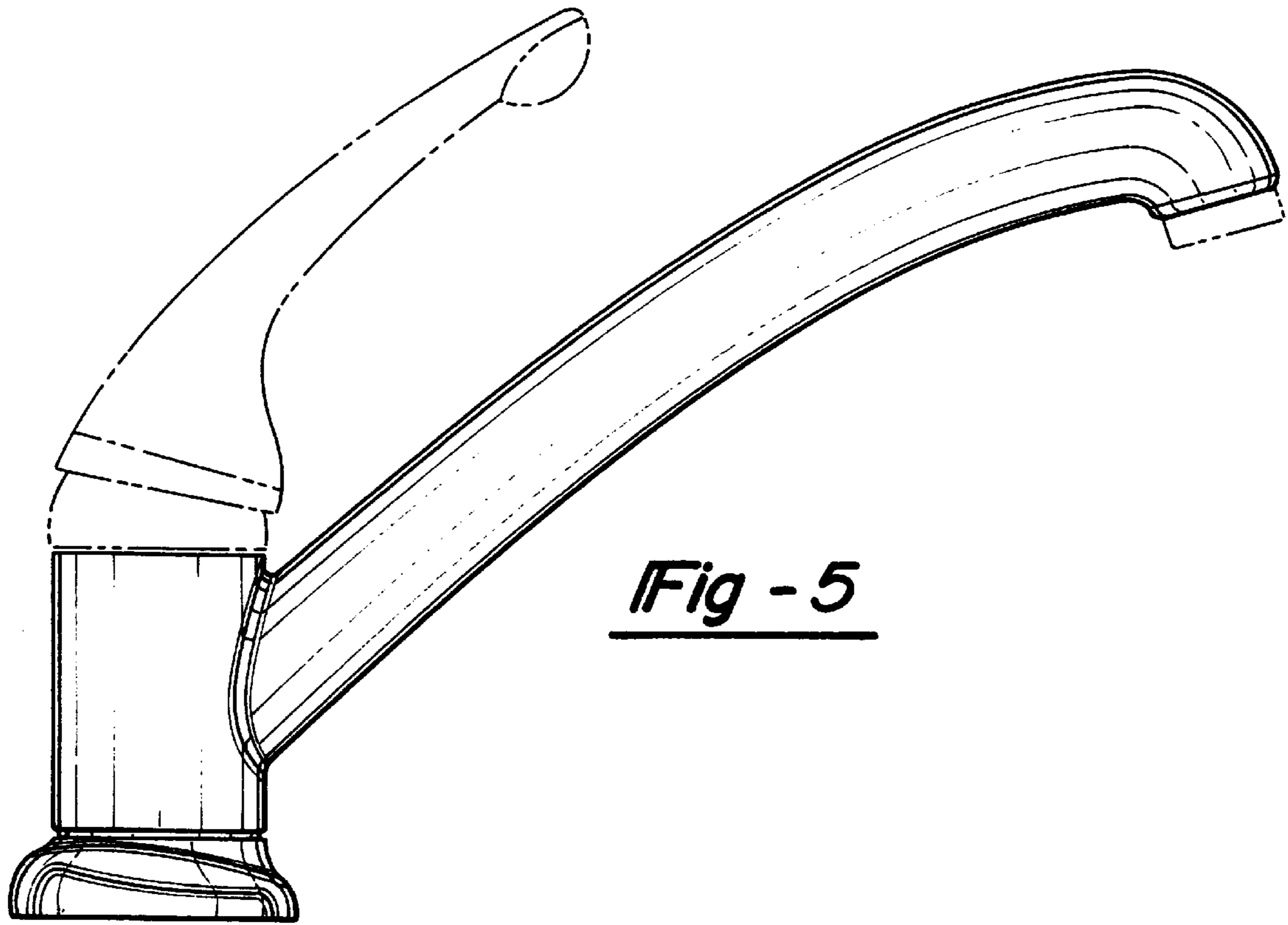


Fig - 4



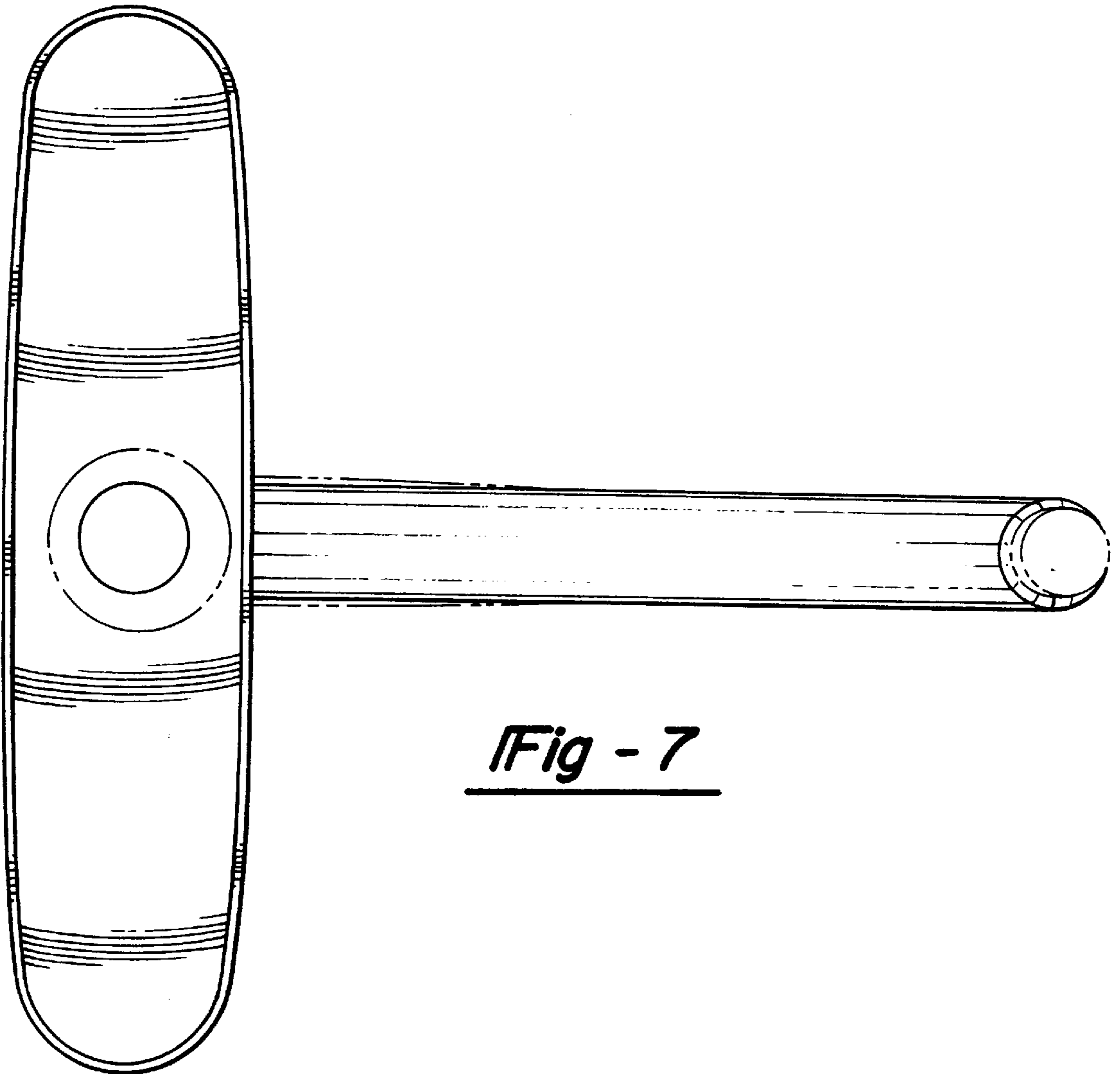


Fig - 7