



US00D402347S

United States Patent [19] Murphy

[11] Patent Number: **Des. 402,347**

[45] Date of Patent: ****Dec. 8, 1998**

[54] **GOLF TRAINING MAT**

[76] Inventor: **William A. Murphy**, 13301 Ivie Rd.,
Galt, Calif. 95632

[**] Term: **14 Years**

[21] Appl. No.: **72,416**

[22] Filed: **Jun. 18, 1997**

[51] **LOC (6) Cl.** **21-02**

[52] **U.S. Cl.** **D21/792**

[58] **Field of Search** D21/234; 473/150,
473/168, 218, 221, 265, 148

[56] **References Cited**

U.S. PATENT DOCUMENTS

D. 175,419	8/1955	Kent	D21/234
D. 277,886	3/1985	Murphy	.	
D. 294,619	3/1988	McCallister	D21/234
D. 328,937	8/1992	Becella	D21/234

Primary Examiner—Ted Shooman
Assistant Examiner—Mitchell I. Siegel
Attorney, Agent, or Firm—Lothrop & West

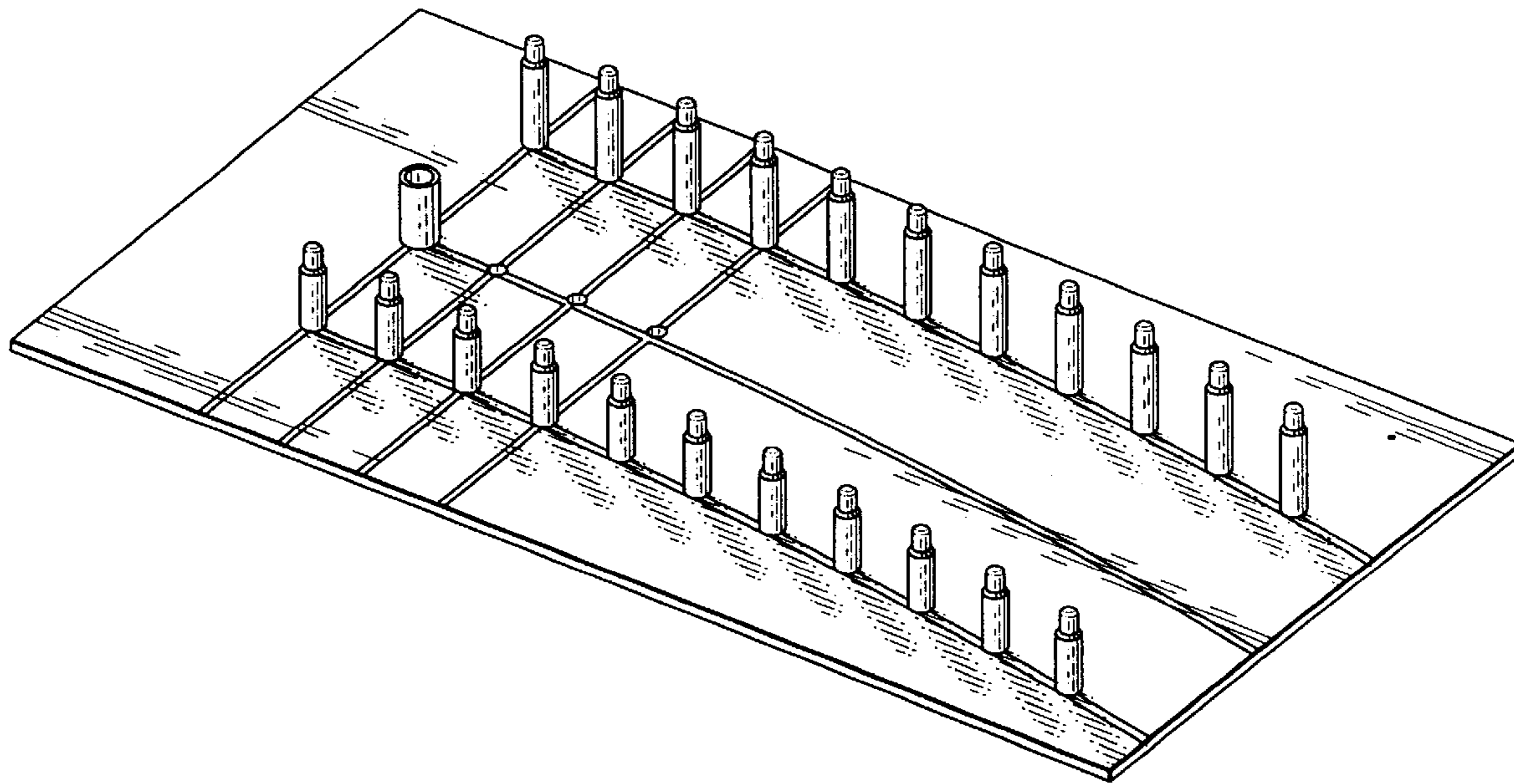
[57] **CLAIM**

The ornamental design for a golf training mat, as shown and described.

DESCRIPTION

FIG. 1 is a right front perspective of a golf training mat, showing my new design;
FIG. 2 is a top plan view thereof;
FIG. 3 is a front elevational view, thereof;
FIG. 4 is a bottom plan view thereof;
FIG. 5 is a rear elevational view thereof;
FIG. 6 is an elevational view, taken from the right-hand side of the article, thereof;
FIG. 7 is an elevational view, taken from the left-hand side of the article, thereof; and,
FIG. 8 is a low angle perspective view of the bottom of the article, the removable ball “TEE” being shown in a detached position.

1 Claim, 2 Drawing Sheets



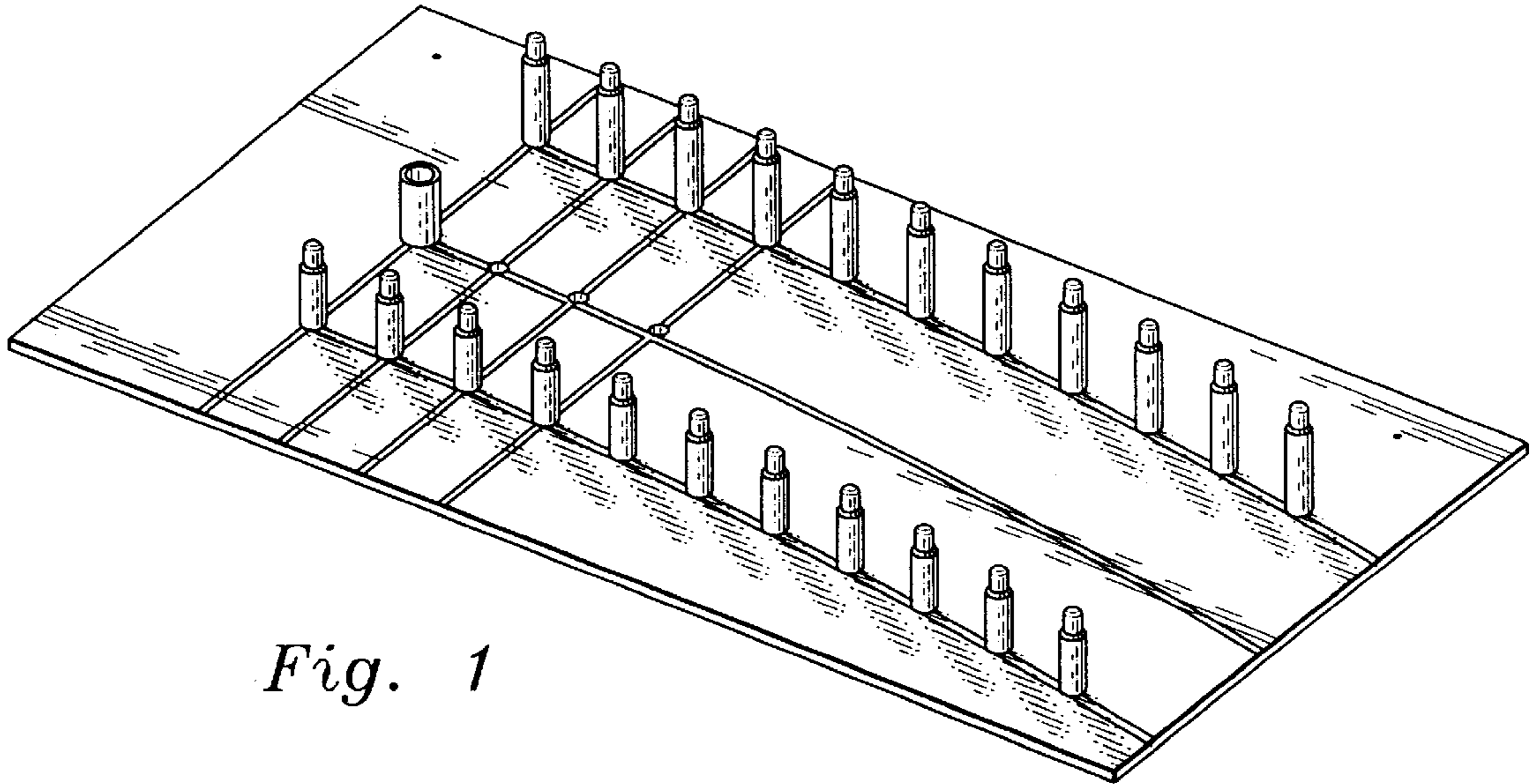


Fig. 1

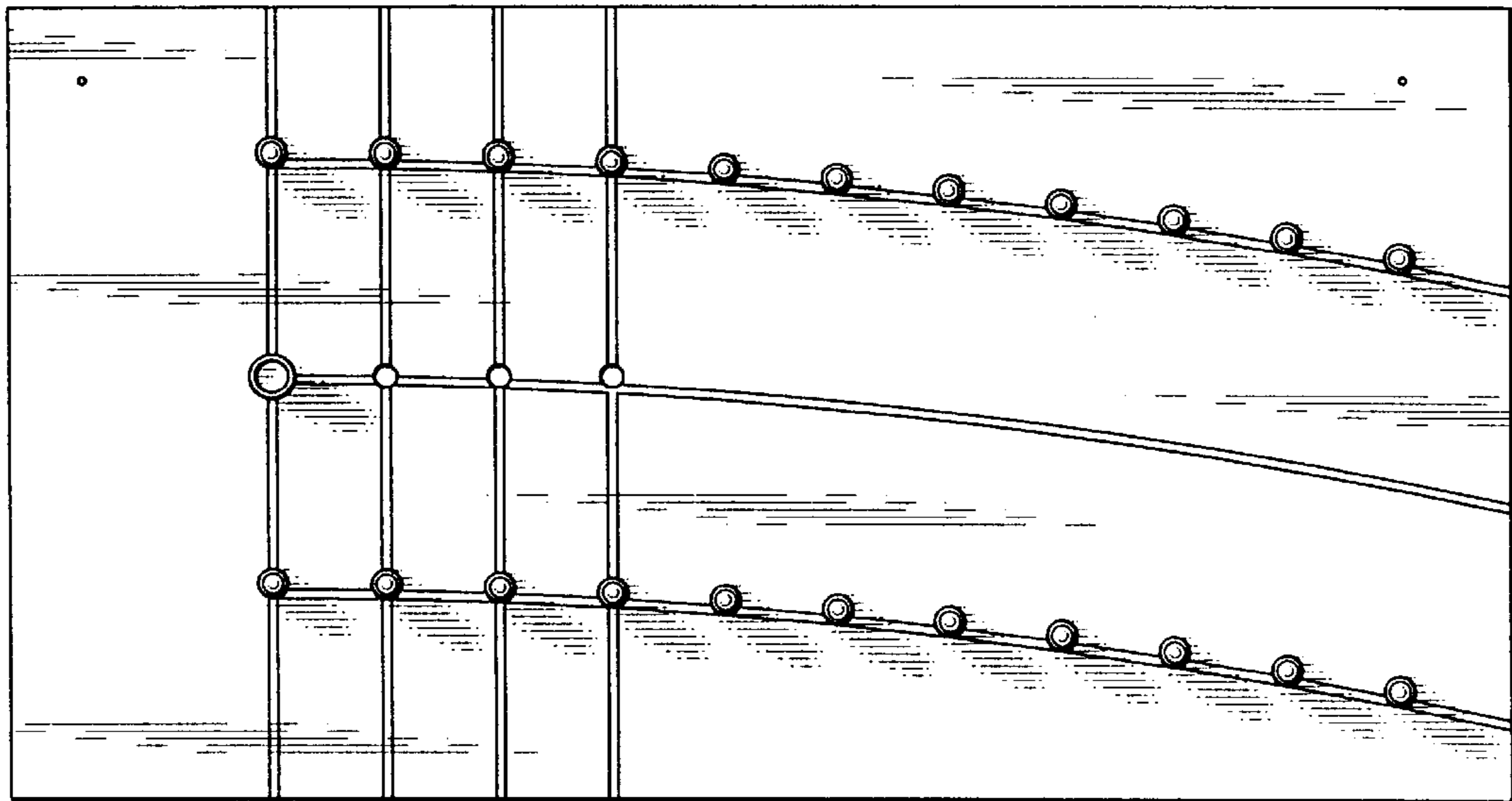


Fig. 2

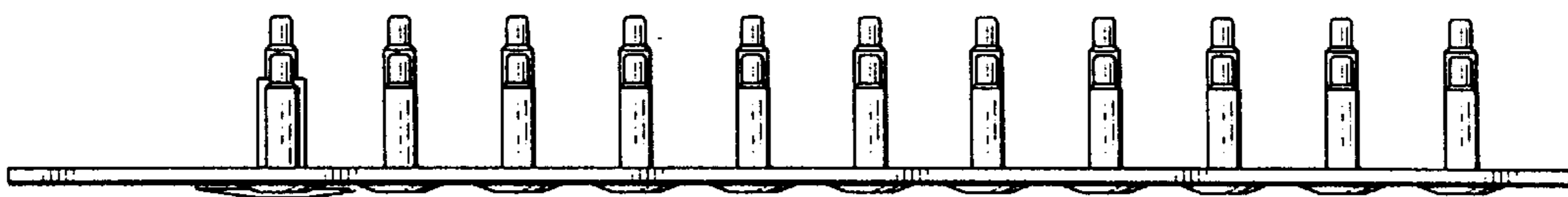


Fig. 3

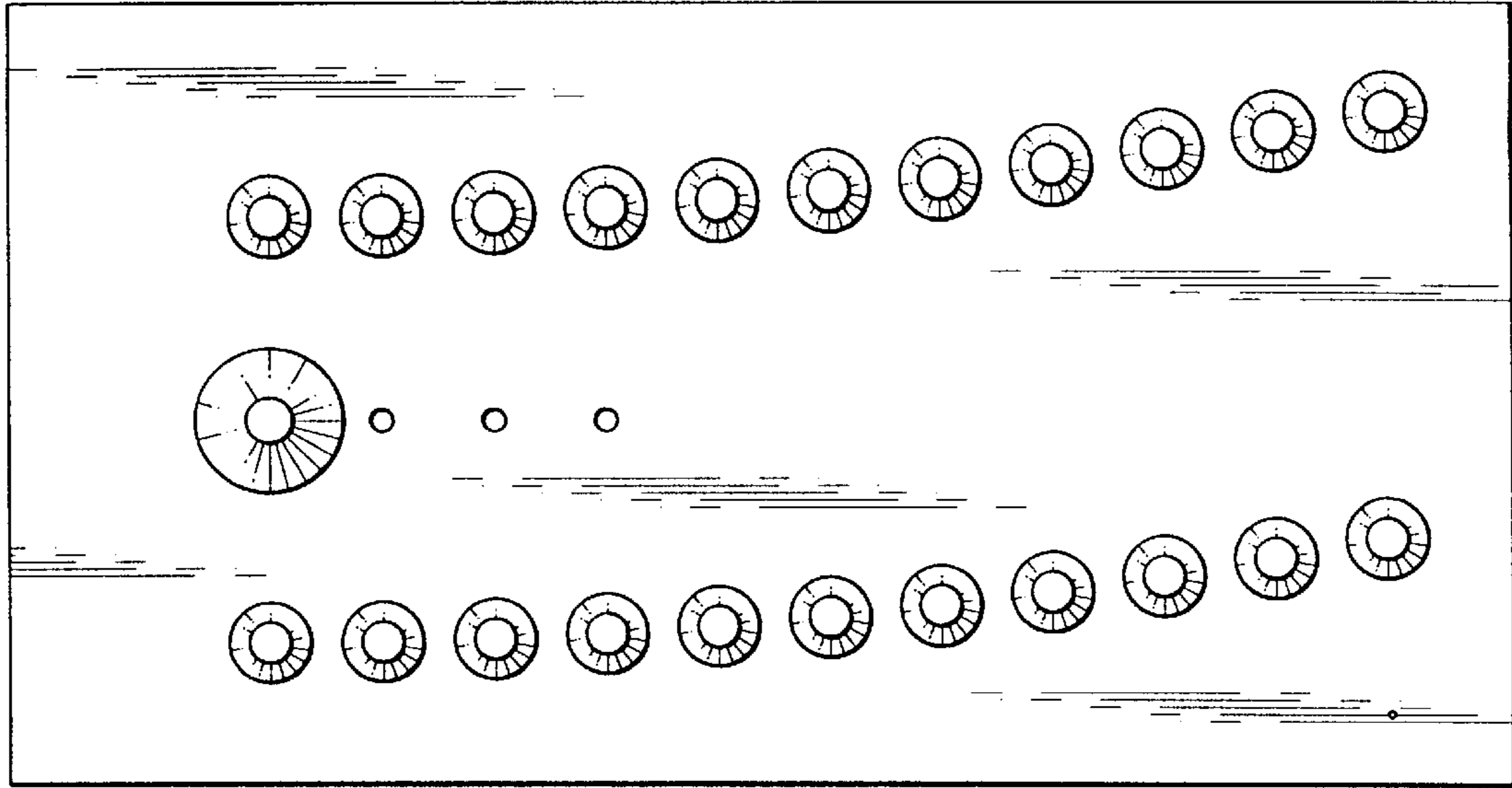


Fig. 4

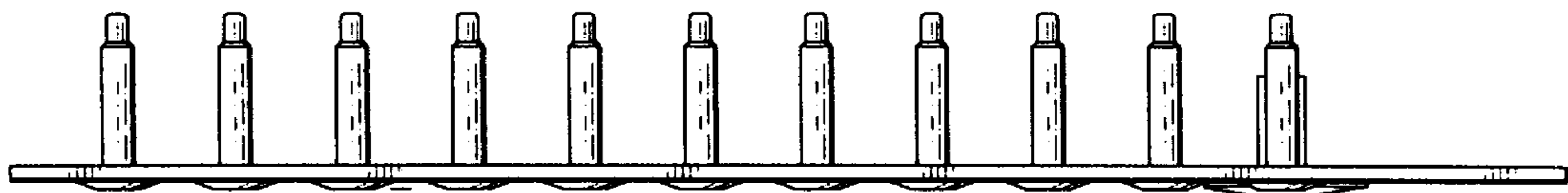


Fig. 5

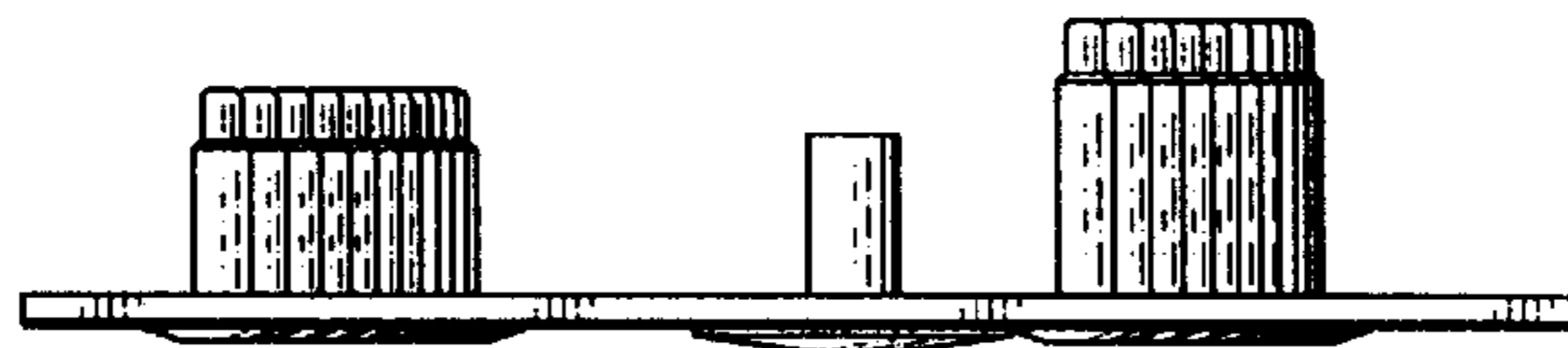


Fig. 6

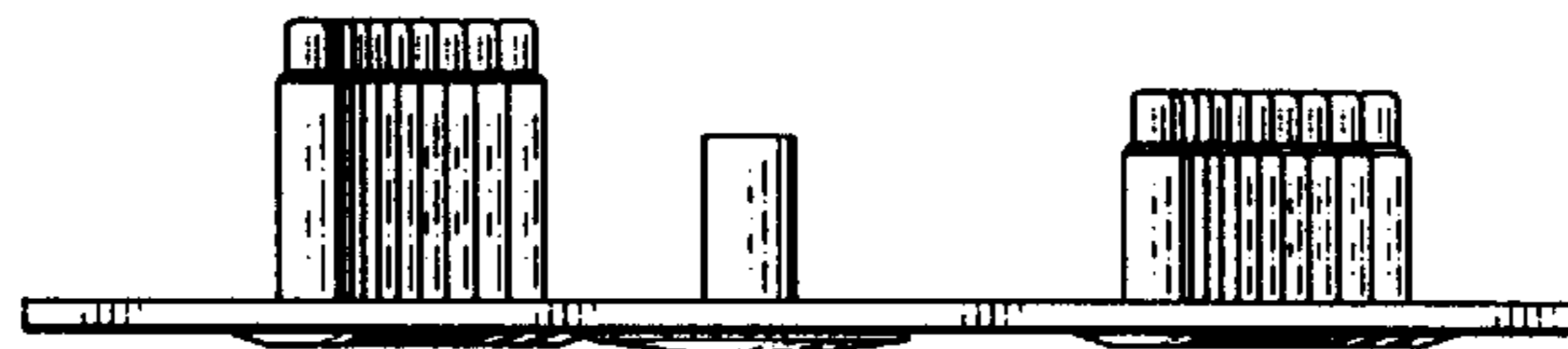


Fig. 7

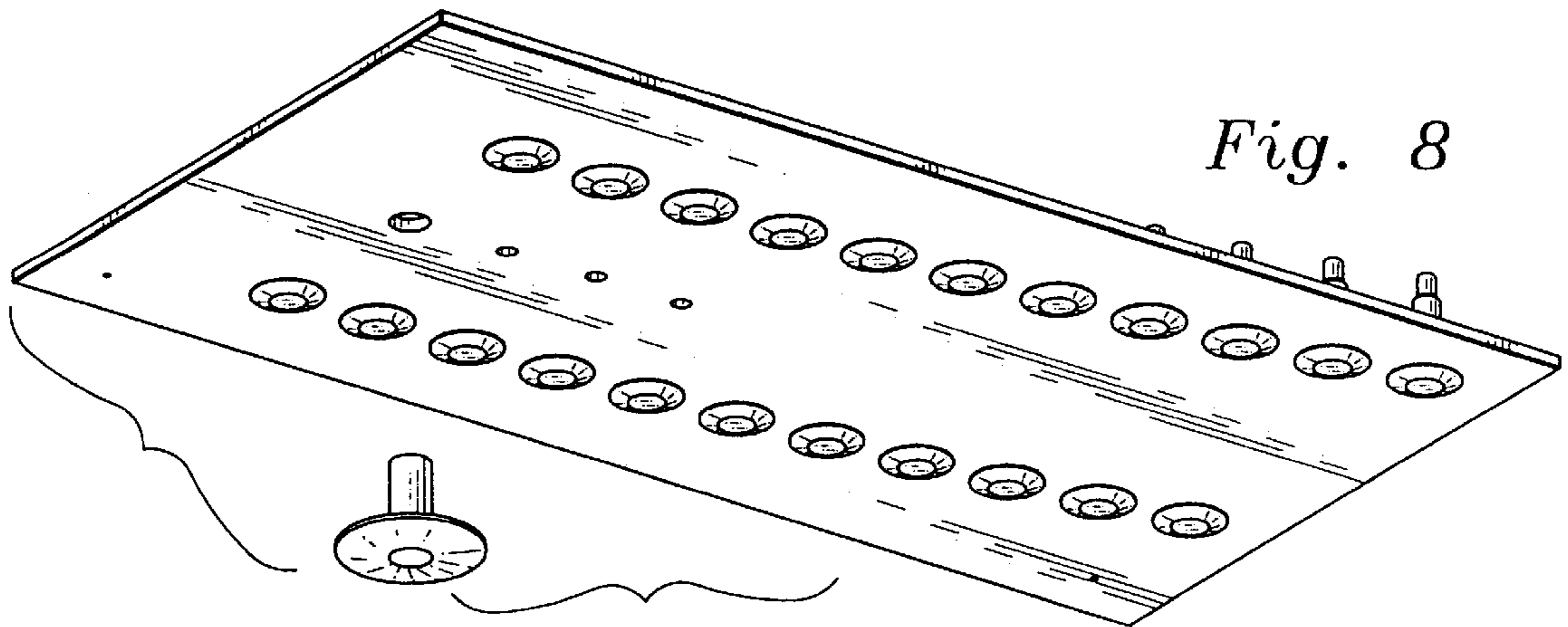


Fig. 8