



US00D402343S

United States Patent [19]
Helmstetter et al.

[11] **Patent Number: Des. 402,343**
[45] **Date of Patent: **Dec. 8, 1998**

[54] **GOLF PUTTER HEAD**

[75] Inventors: **Richard C. Helmstetter**, Rancho Santa Fe; **Steven D. Gray**, Poway; **Roger C. Cleveland**, Los Angeles, all of Calif.

[73] Assignee: **Callaway Golf Company**, Carlsbad, Calif.

[**] Term: **14 Years**

[21] Appl. No.: **78,823**

[22] Filed: **Oct. 31, 1997**

[51] **LOC (6) Cl.** **21-02**

[52] **U.S. Cl.** **D21/738; D21/736**

[58] **Field of Search** **D21/217-219; 473/324, 327, 251-256, 340, 341**

[56] **References Cited**

U.S. PATENT DOCUMENTS

- D. 162,054 2/1951 Markovich .
- D. 196,734 10/1963 Solheim .
- D. 223,767 6/1972 Houghtaling .
- D. 228,355 9/1973 Penna .
- D. 234,209 1/1975 Bizovi .
- D. 234,963 4/1975 Hirata .
- D. 238,285 12/1975 Ross .
- D. 245,441 8/1977 Middlestadt .
- D. 246,541 11/1977 Myers .
- D. 247,383 2/1978 Adkins .
- D. 248,181 6/1978 Cervantes .
- D. 248,783 8/1978 Long .
- D. 257,784 1/1981 Forys et al. .
- D. 285,956 9/1986 Shearer .
- D. 293,126 12/1987 Bizovi .
- D. 303,132 8/1989 Mata .
- D. 320,427 10/1991 Antonious .
- D. 321,738 11/1991 Brown .
- D. 321,920 11/1991 Parente et al. .
- D. 322,651 12/1991 Parente et al. .
- D. 334,606 4/1993 Cameron .
- D. 343,434 1/1994 Helmstetter et al. .
- D. 344,117 2/1994 Helmstetter et al. .
- D. 352,984 11/1994 Helmstetter et al. .
- D. 356,843 3/1995 Schmidt et al. .
- D. 357,520 4/1995 Helmstetter et al. .

- D. 360,445 7/1995 Schmidt et al. .
- D. 360,922 8/1995 Grace D21/217
- D. 364,906 12/1995 Schmidt et al. .
- D. 365,130 12/1995 Schmidt et al. .

(List continued on next page.)

FOREIGN PATENT DOCUMENTS

- 901416 4/1985 Belgium .
- 582366 2/1994 European Pat. Off. .
- 608128 7/1994 European Pat. Off. .
- 2575393 7/1986 France .
- 2680695 9/1993 France .
- 53-15412 5/1978 Japan .
- 37178 1/1991 Japan .
- 371974 5/1932 United Kingdom .

OTHER PUBLICATIONS

- 1995 Callaway Golf Catalog, p. 19.
- 1994 Callaway Golf Catalog, p. 23.
- 1993 Callaway Golf Catalog, pp. 16 & 17.
- 1992 Callaway Golf Catalog, pp. 17 & 18.
- 1991 Callaway Golf Catalog, p. 17.
- 1990 Callaway Golf Catalog, pp. 10 & 11.
- Callaway Golf Catalog—1989.
- 1988 Callaway Golf Catalog.

Primary Examiner—Ted Shooman
Assistant Examiner—Mitchell I. Siegel
Attorney, Agent, or Firm—William W. Haefliger

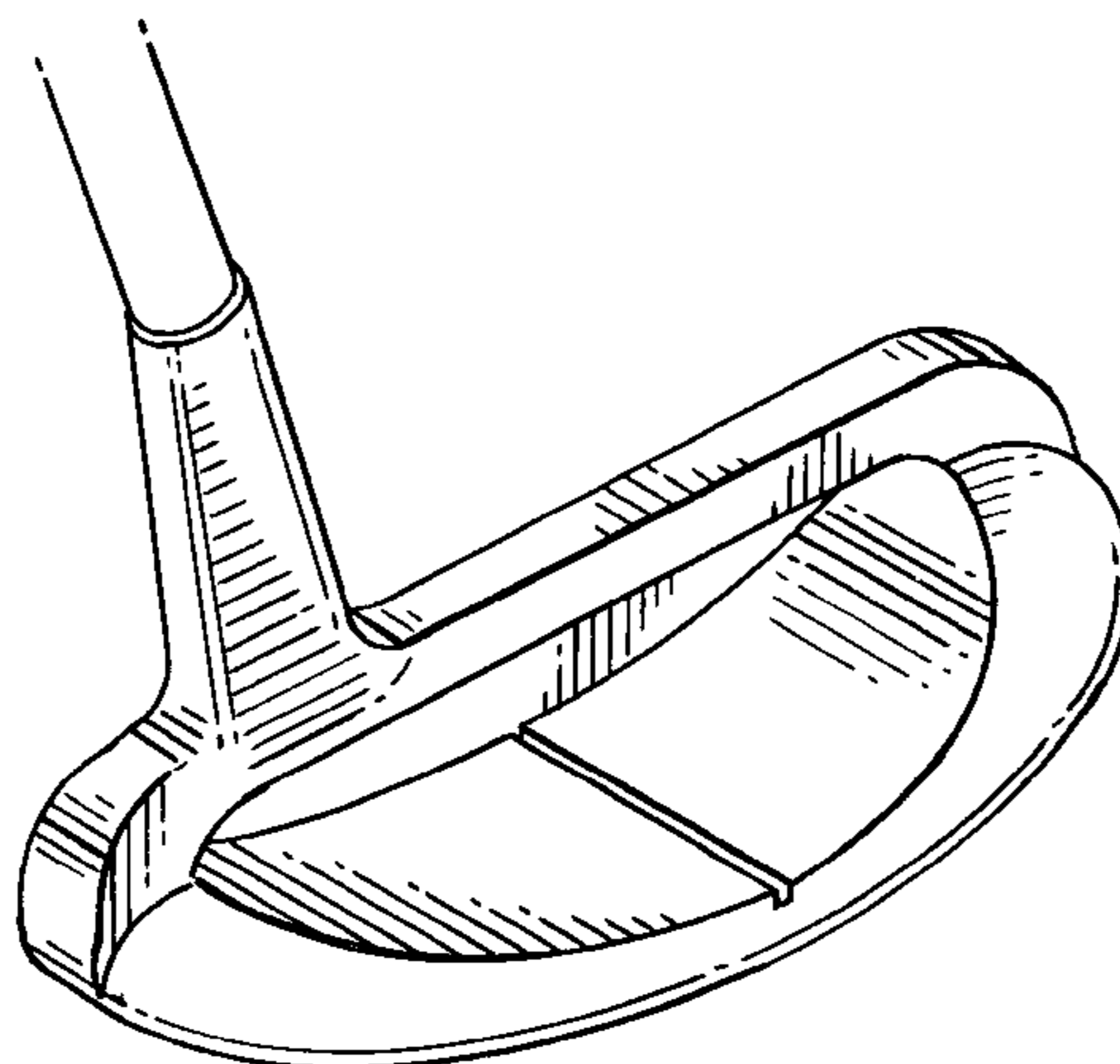
[57] **CLAIM**

The ornamental design for golf putter head, as shown and described.

DESCRIPTION

FIG. 1 is a perspective view of a golf putter head embodying our new design;
FIG. 2 is a top plan view thereof;
FIG. 3 is a rear view thereof;
FIG. 4 is a front view thereof;
FIG. 5 is a bottom plan view thereof;
FIG. 6 is a toe end view thereof; and,
FIG. 7 is a heel end view thereof.

1 Claim, 4 Drawing Sheets



| U.S. PATENT DOCUMENTS | | | | | |
|-----------------------|---------|-------------------------------|-----------|---------|---------------------|
| D. 371,180 | 6/1996 | Grace . | 4,330,128 | 5/1982 | Morelli . |
| D. 373,160 | 8/1996 | Grace D21/217 | 4,398,965 | 8/1983 | Campau . |
| D. 373,162 | 8/1996 | Meyer et al. D21/219 | 4,420,156 | 12/1983 | Campau . |
| D. 378,113 | 2/1997 | Rollinson et al. D21/217 | 4,498,672 | 2/1985 | Bulla . |
| D. 383,512 | 9/1997 | Schmidt et al. D21/219 | 4,573,685 | 3/1986 | Young, IV et al. . |
| D. 385,933 | 11/1997 | Rollinson et al. D21/217 | 4,632,400 | 12/1986 | Boone . |
| D. 388,851 | 1/1998 | Rollinson et al. D21/217 | 4,653,756 | 3/1987 | Sato . |
| 922,444 | 5/1909 | Youds . | 4,655,459 | 4/1987 | Antonious . |
| 1,485,685 | 3/1924 | McMahon . | 4,660,832 | 4/1987 | Shomo . |
| 1,511,479 | 10/1924 | Kelly et al. . | 4,679,792 | 7/1987 | Straza et al. . |
| 1,517,476 | 12/1924 | Tyler . | 4,695,054 | 9/1987 | Tunstall . |
| 1,678,637 | 7/1928 | Drevitson . | 4,715,601 | 12/1987 | Lamanna . |
| 1,854,548 | 4/1932 | Hunt . | 4,736,949 | 4/1988 | Muroi . |
| 1,894,706 | 1/1933 | Reach . | 4,740,345 | 4/1988 | Nagasaki et al. . |
| 1,894,707 | 1/1933 | Reach . | 4,792,139 | 12/1988 | Nagasaki et al. . |
| 1,906,239 | 5/1933 | Reach . | 4,798,383 | 1/1989 | Nagasaki et al. . |
| 1,946,007 | 2/1934 | Watson . | 4,811,950 | 3/1989 | Kobayashi . |
| 1,953,604 | 4/1934 | Heller . | 4,848,747 | 7/1989 | Fujimura et al. . |
| 1,980,408 | 11/1934 | Jansky . | 4,854,581 | 8/1989 | Long . |
| 1,993,928 | 3/1935 | Glover . | 4,884,812 | 12/1989 | Nagasaki et al. . |
| 2,129,068 | 9/1938 | Reach . | 4,928,972 | 5/1990 | Nakanishi et al. . |
| 2,661,952 | 12/1953 | Jackson . | 4,957,294 | 9/1990 | Long . |
| 2,781,197 | 2/1957 | Wiley . | 4,964,640 | 10/1990 | Nakanishi et al. . |
| 2,846,228 | 8/1958 | Reach . | 4,995,609 | 2/1991 | Parente et al. . |
| 3,043,596 | 7/1962 | Ehmke . | 5,016,882 | 5/1991 | Fujimura et al. . |
| 3,134,596 | 5/1964 | Boznos . | 5,026,056 | 6/1991 | McNally et al. . |
| 3,211,455 | 10/1965 | Hyden . | 5,046,733 | 9/1991 | Antonious . |
| 3,218,072 | 11/1965 | Burr . | 5,060,949 | 10/1991 | Brill . |
| 3,240,497 | 3/1966 | Taylor . | 5,067,711 | 11/1991 | Parente et al. . |
| 3,333,854 | 8/1967 | White . | 5,078,398 | 1/1992 | Reed et al. . |
| 3,387,844 | 6/1968 | Shippe . | 5,082,279 | 1/1992 | Hull et al. . |
| 3,680,868 | 8/1972 | Jacob . | 5,083,778 | 1/1992 | Douglass . |
| 3,749,408 | 7/1973 | Mills . | 5,104,457 | 4/1992 | Viljoen et al. . |
| 3,815,910 | 6/1974 | Raines . | 5,176,384 | 1/1993 | Sata et al. . |
| 3,841,641 | 10/1974 | Bennett . | 5,193,805 | 3/1993 | Solheim . |
| 3,843,122 | 10/1974 | Florian . | 5,197,737 | 3/1993 | Desboilles et al. . |
| 3,863,932 | 2/1975 | Lezatte . | 5,246,231 | 9/1993 | Antonious . |
| 3,888,492 | 6/1975 | Cabot . | 5,248,145 | 9/1993 | Brown . |
| 3,923,308 | 12/1975 | Mills . | 5,277,423 | 1/1994 | Artus . |
| 3,966,210 | 6/1976 | Rozmus . | 5,282,625 | 2/1994 | Schmidt et al. . |
| 3,967,826 | 7/1976 | Judice . | 5,290,036 | 3/1994 | Fenton et al. . |
| 3,989,248 | 11/1976 | Campau . | 5,301,946 | 4/1994 | Schmidt et al. . |
| 4,000,902 | 1/1977 | Perkins . | 5,314,184 | 5/1994 | Schmidt et al. . |
| 4,121,832 | 10/1978 | Ebbing . | 5,332,214 | 7/1994 | Tucker, Sr. . |
| 4,199,144 | 4/1980 | Skelly . | 5,340,107 | 8/1994 | Baker et al. . |
| 4,252,262 | 2/1981 | Igarashi . | 5,460,377 | 10/1995 | Schmidt et al. . |
| 4,272,572 | 6/1981 | Netherly . | 5,464,218 | 11/1995 | Schmidt et al. . |
| | | | 5,485,997 | 1/1996 | Schmidt et al. . |

FIG. 1.

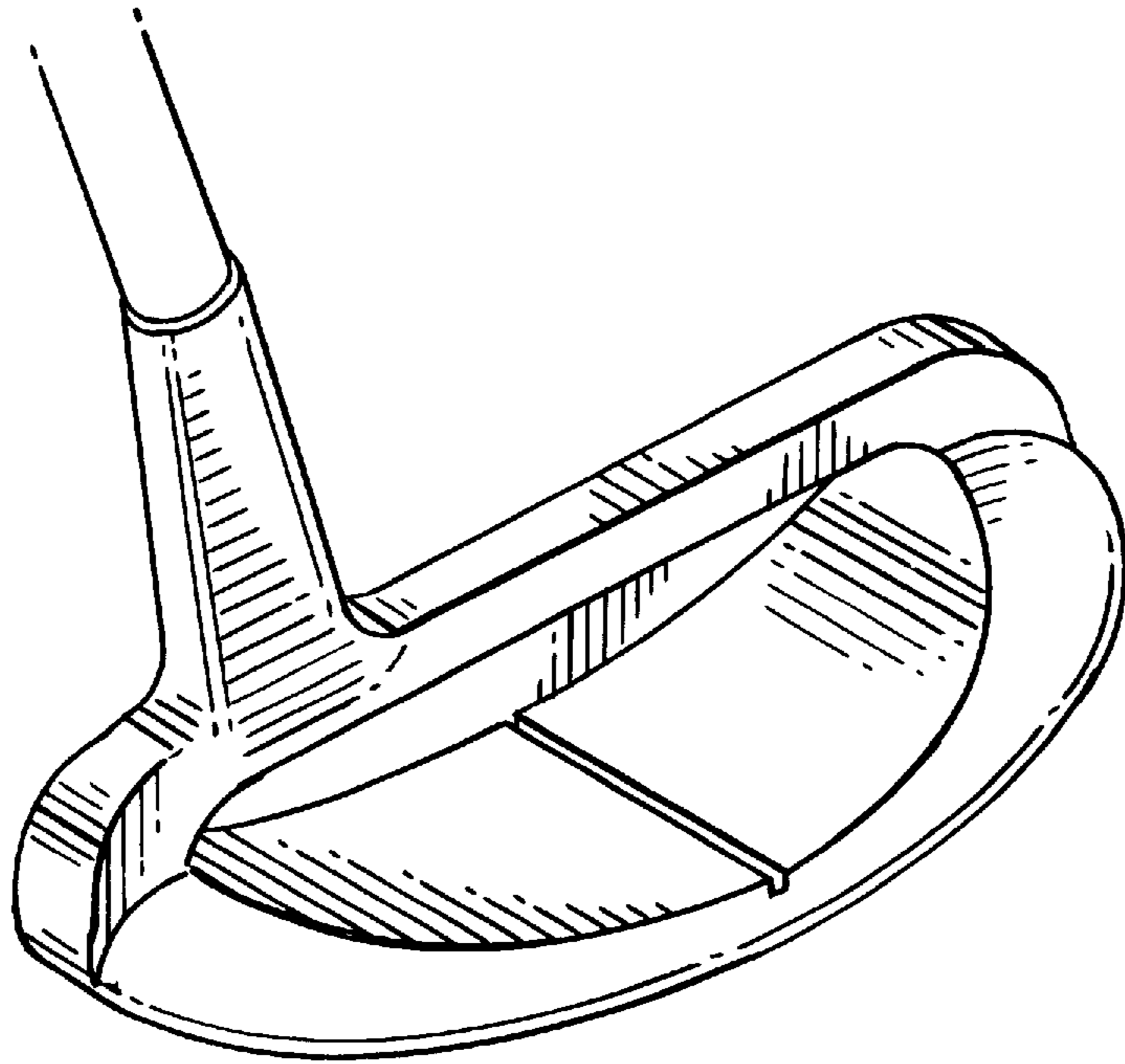


FIG. 2.

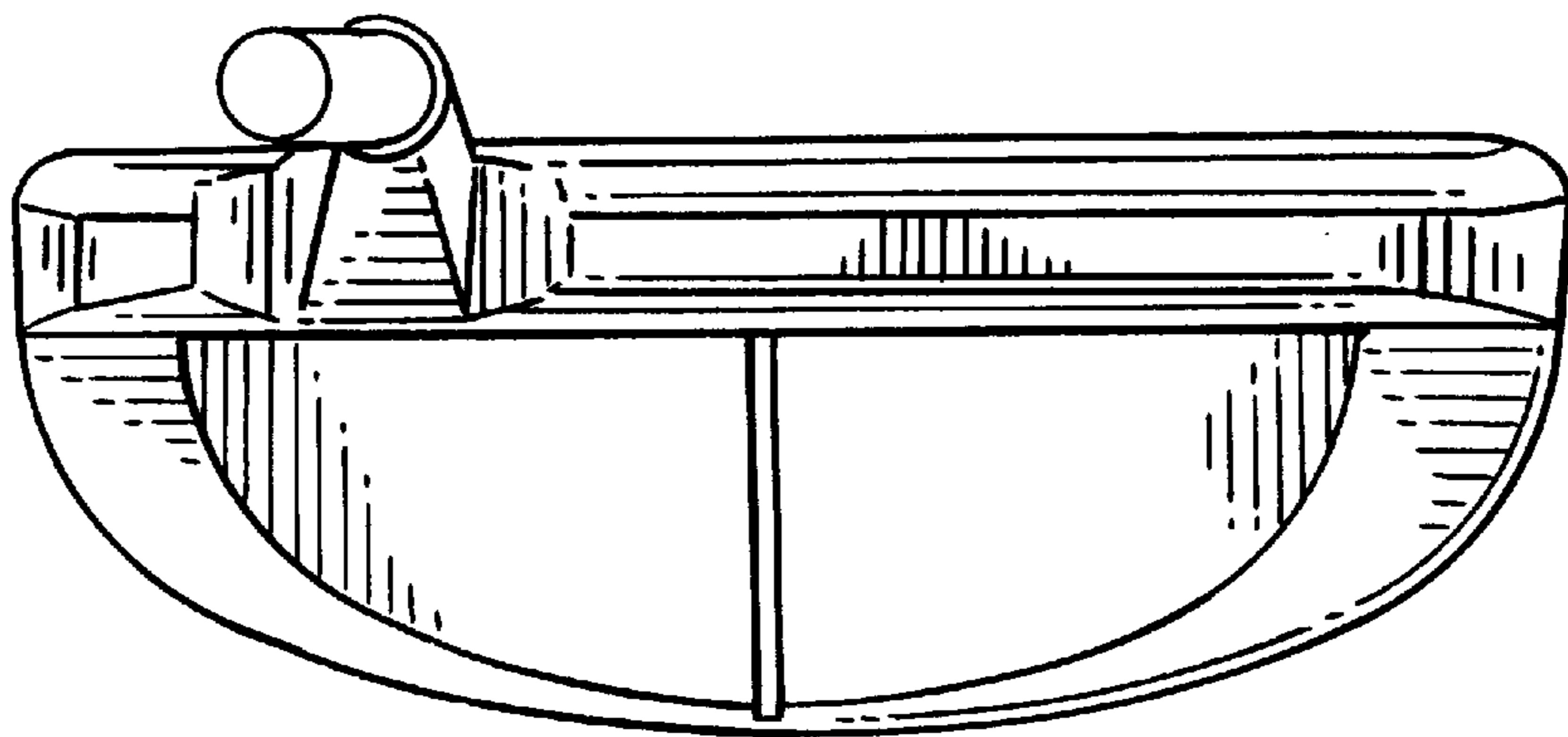


FIG. 3.

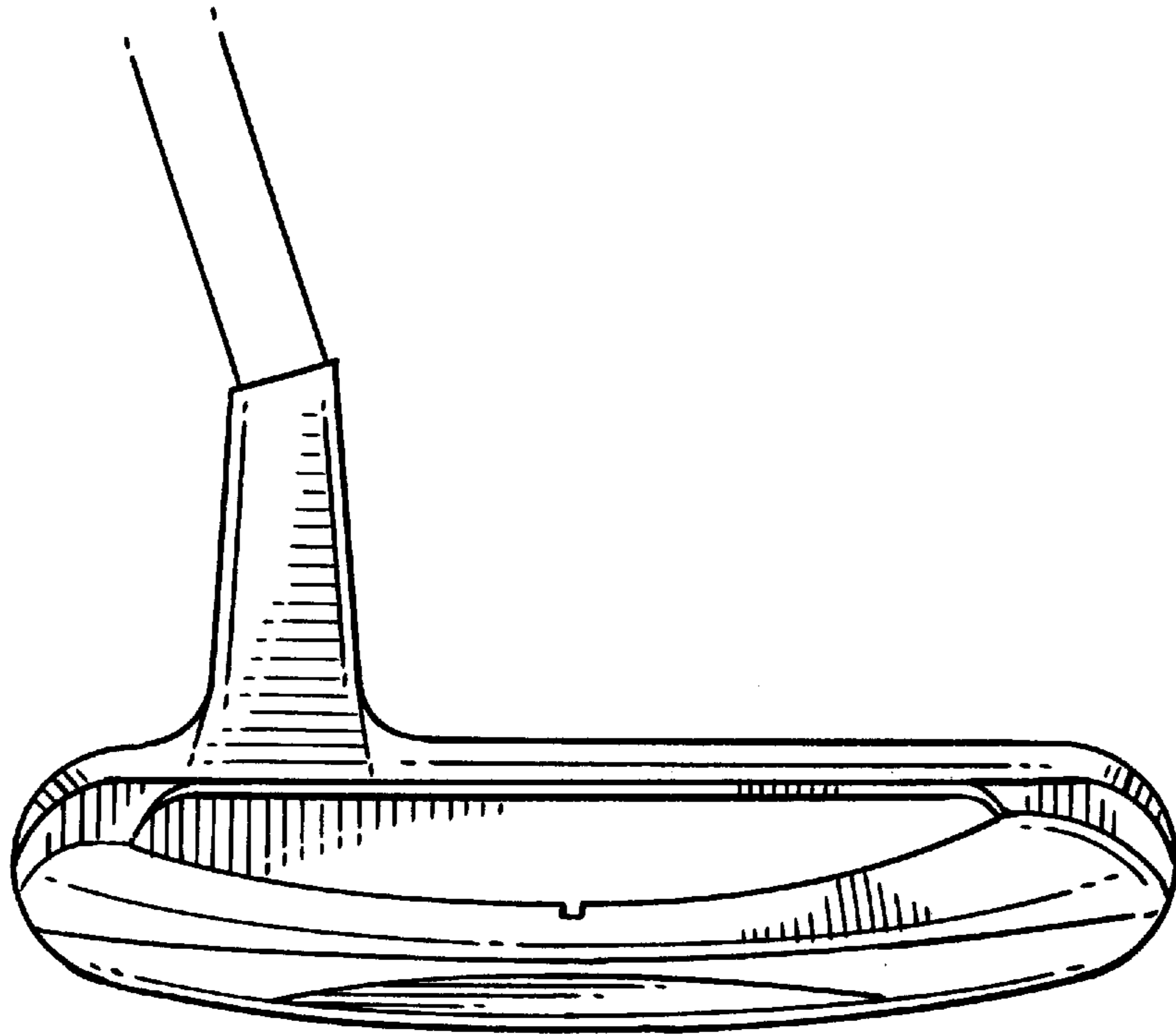


FIG. 4.

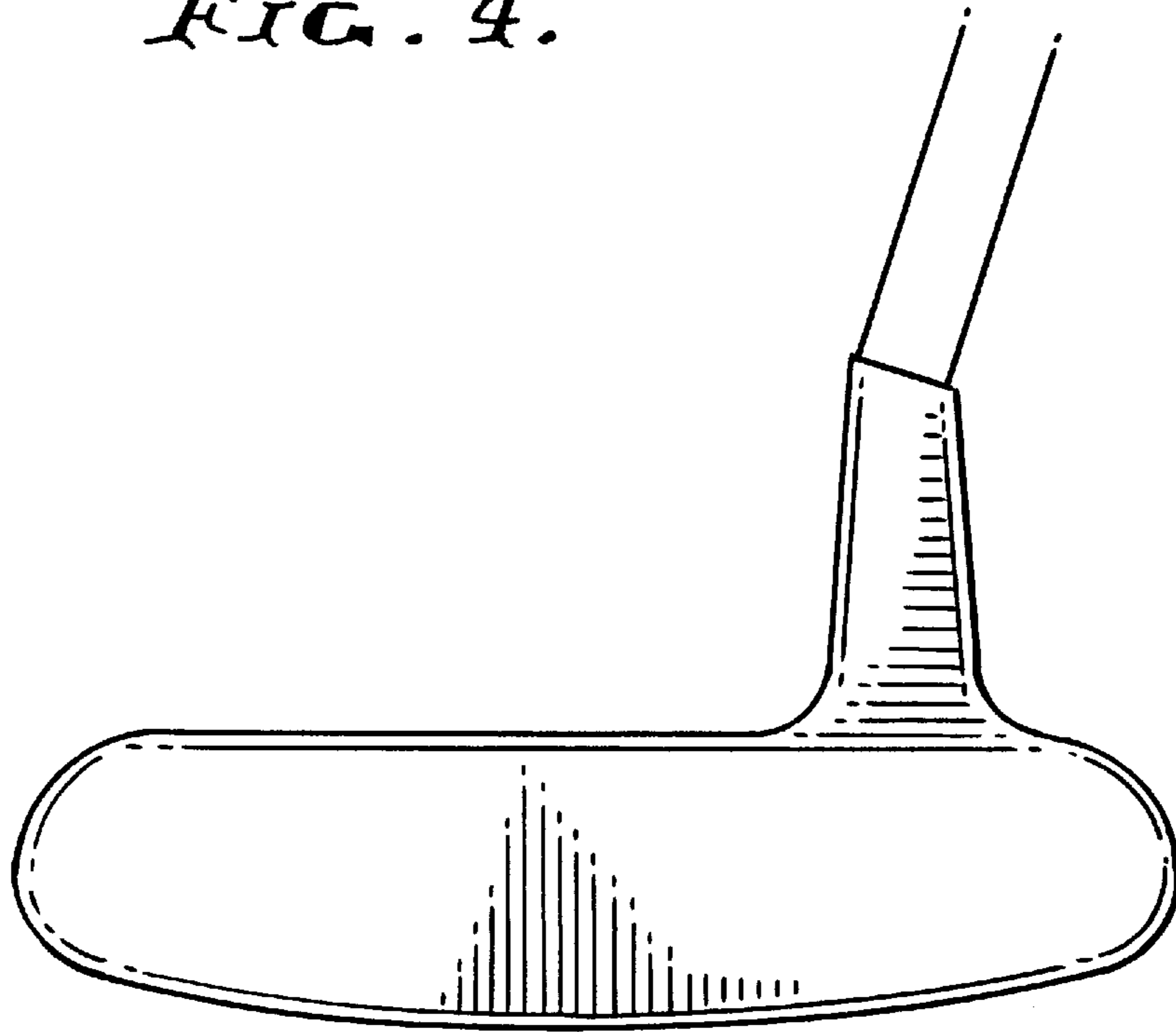


FIG. 5.

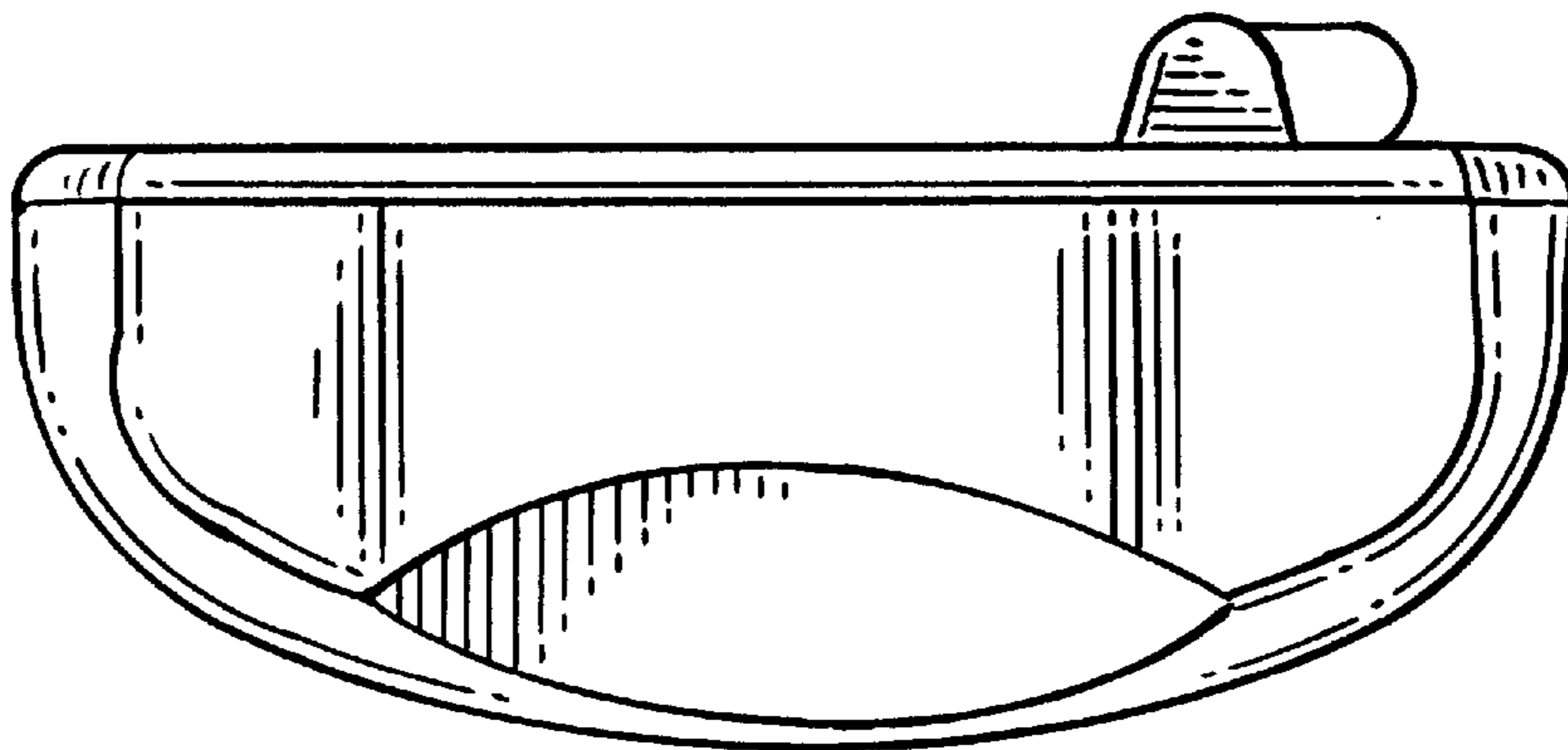


FIG. 6.

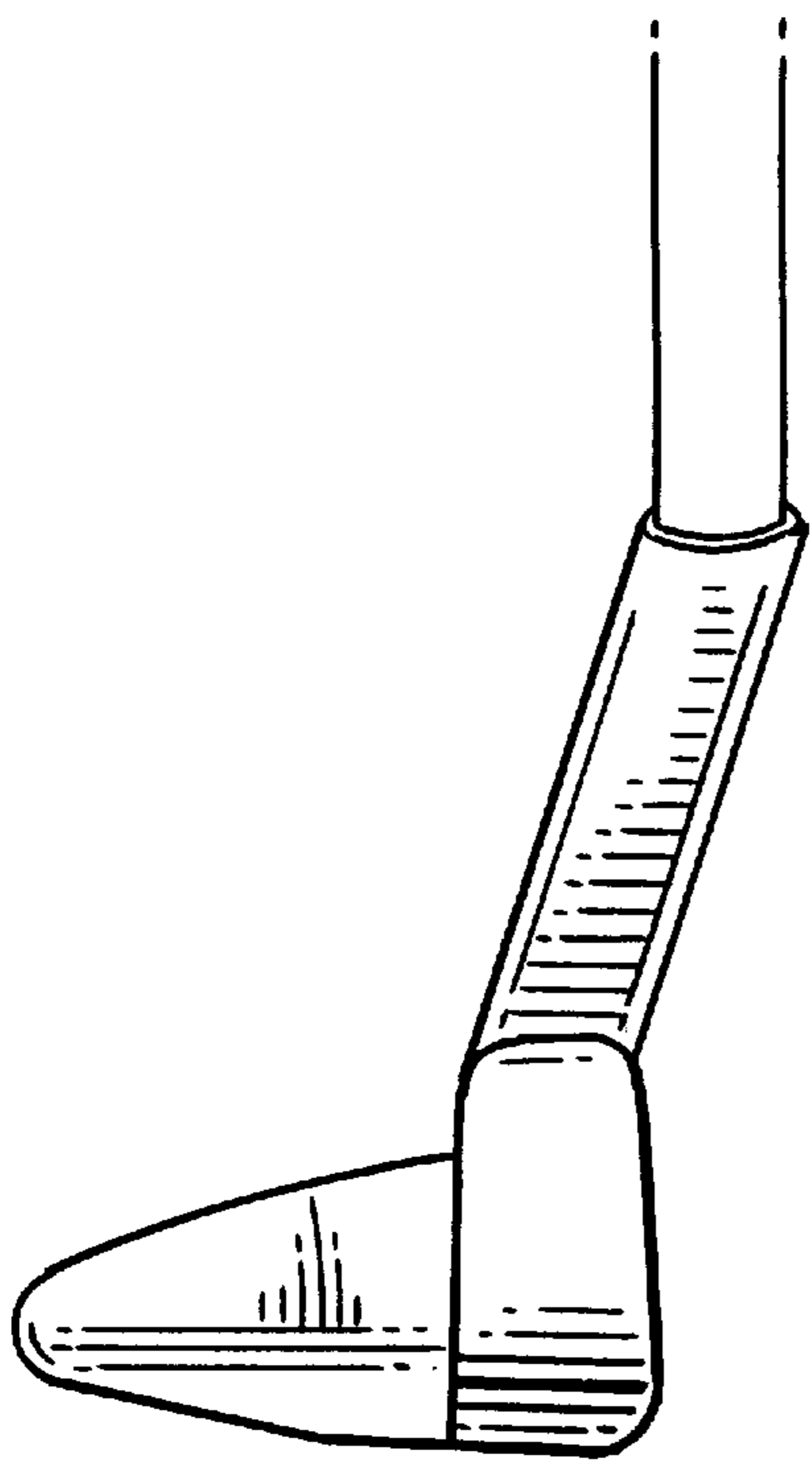


FIG. 7.

