



US00D402342S

United States Patent [19]

Antonious

[11] **Patent Number: Des. 402,342**

[45] **Date of Patent: **Dec. 8, 1998**

[54] WOOD TYPE GOLF CLUB HEAD

[76] Inventor: **Anthony J. Antonious**, 7738 Calle Facil, Sarasota, Fla. 34238

[**] Term: **14 Years**

[21] Appl. No.: **80,457**

[22] Filed: **Dec. 11, 1997**

[51] **LOC (6) Cl. 21-02**

[52] **U.S. Cl. D21/733**

[58] **Field of Search D21/214; 473/324, 473/327, 345, 346**

[56] **References Cited**

U.S. PATENT DOCUMENTS

D. 390,616 2/1998 Maltby D21/214
2,041,676 5/1936 Gallagher 473/345

FOREIGN PATENT DOCUMENTS

M9208859 5/1993 Germany .

OTHER PUBLICATIONS

Golf Store; p. 14; Long Jon wood, lower right of page, Oct. 1994.

MaxFli catalog; Torquearm metal woods, Aug. 1997.

Primary Examiner—Ted Shooman

Assistant Examiner—Mitchell I. Siegel

Attorney, Agent, or Firm—Aquilino & Welsh

[57] **CLAIM**

The ornamental design for a wood type golf club head, as shown and described.

DESCRIPTION

FIG. 1 is a front elevational view of a wood type golf club head showing my new design;

FIG. 2 is a rear elevational view thereof;

FIG. 3 is an end elevational view thereof;

FIG. 4 is an end elevational view taken from the opposite side of FIG. 3.

FIG. 5 is a top plan view thereof; and,

FIG. 6 is a bottom view thereof.

1 Claim, 2 Drawing Sheets

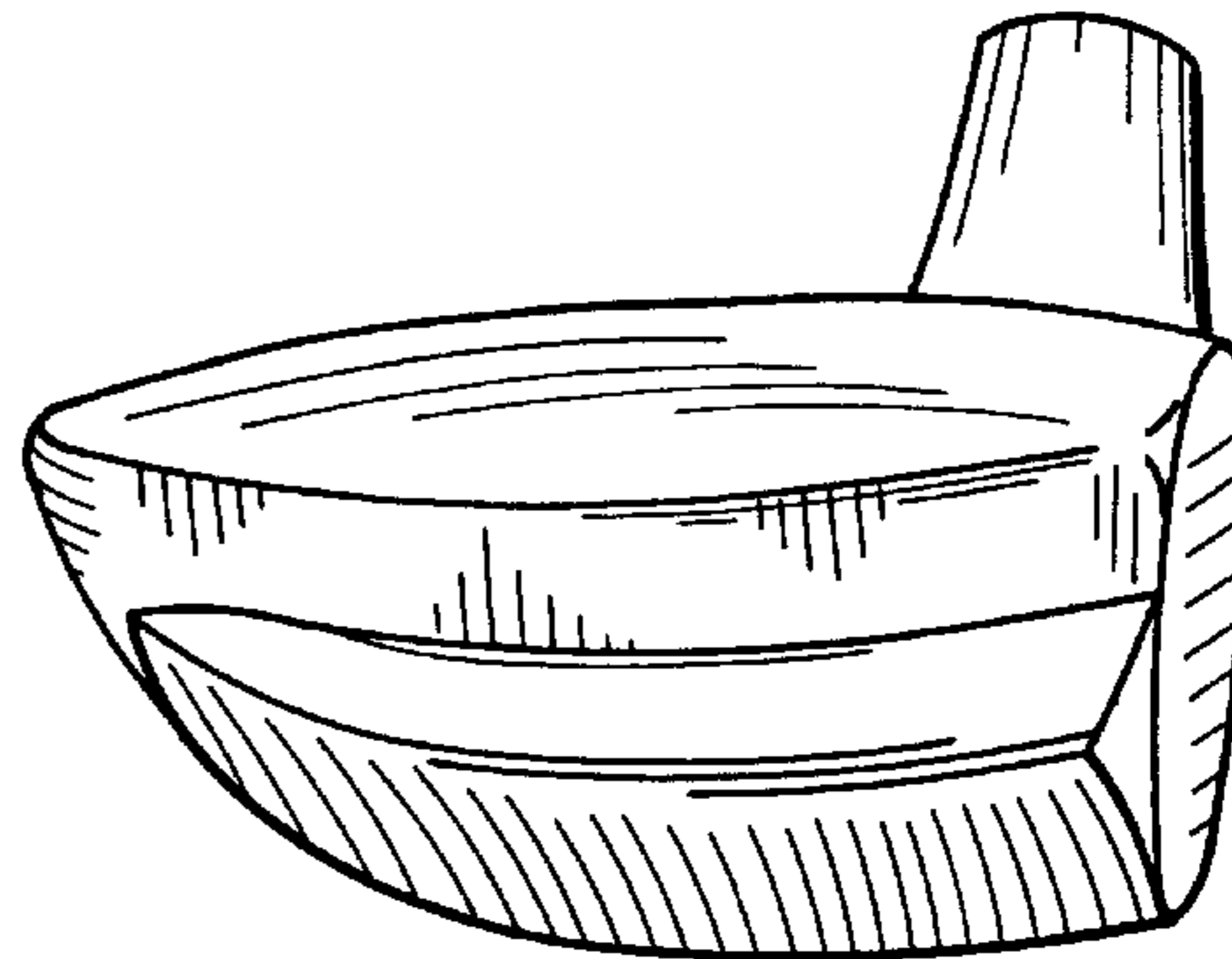
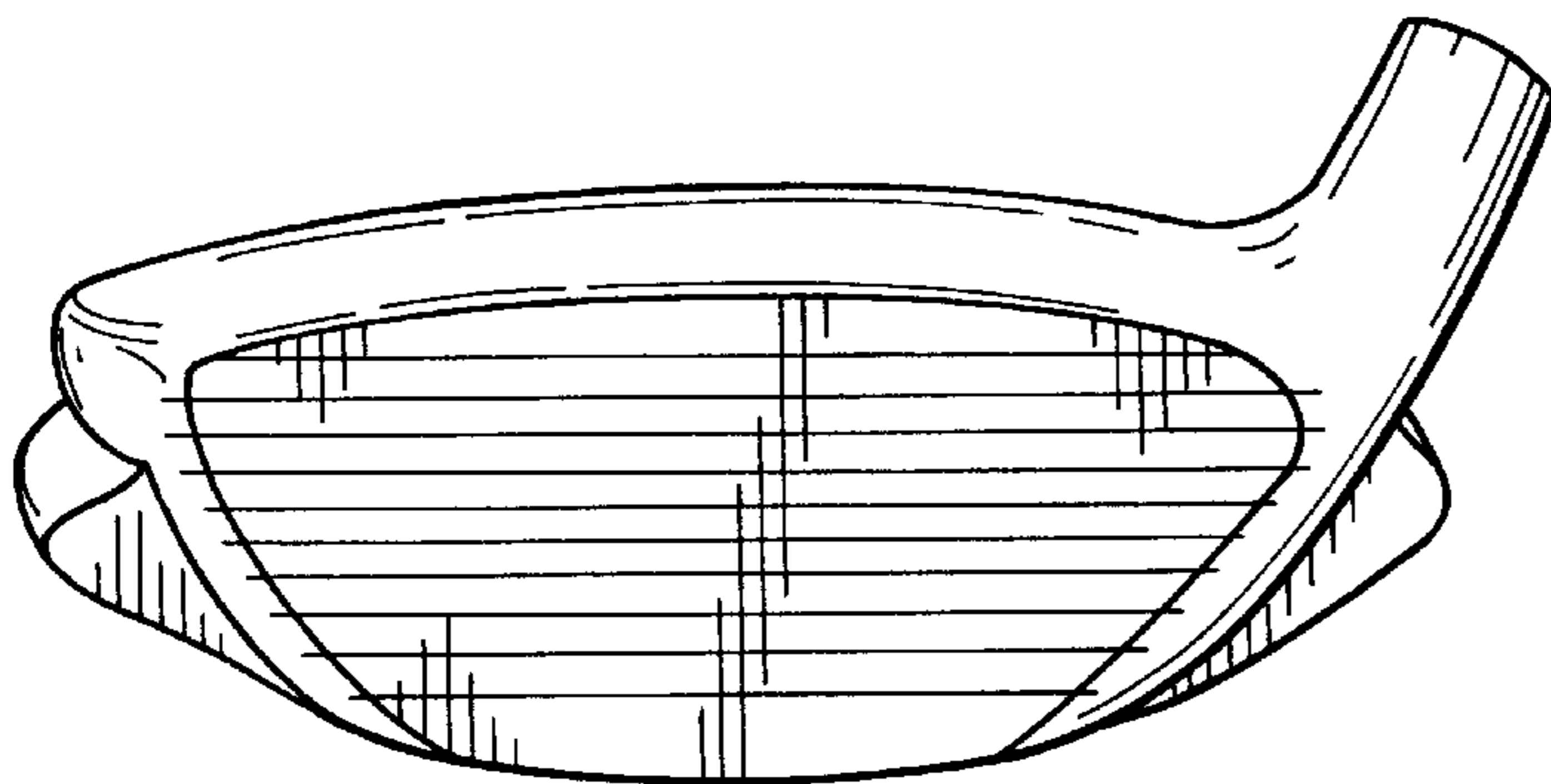


FIG. 1

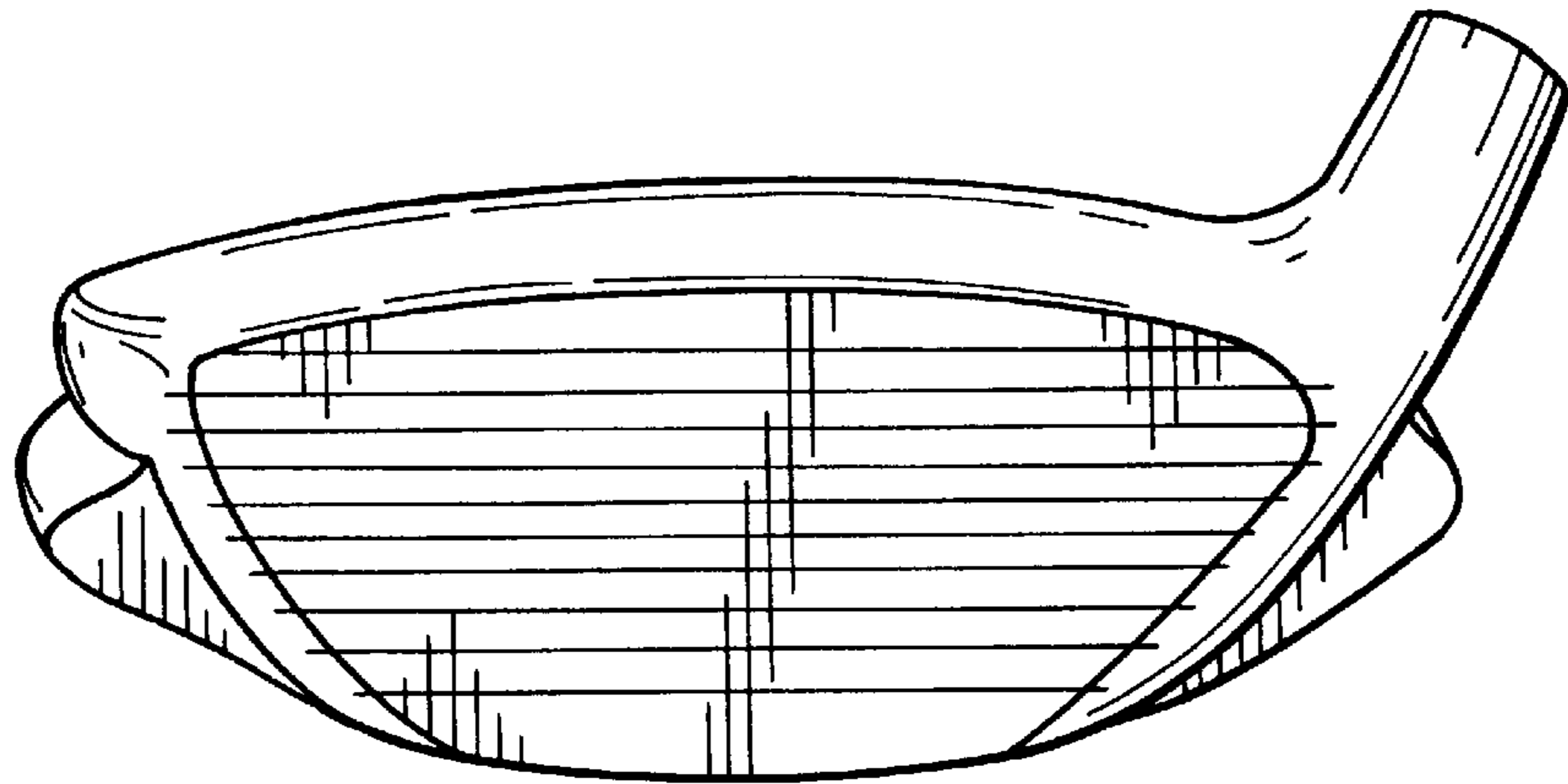


FIG. 2

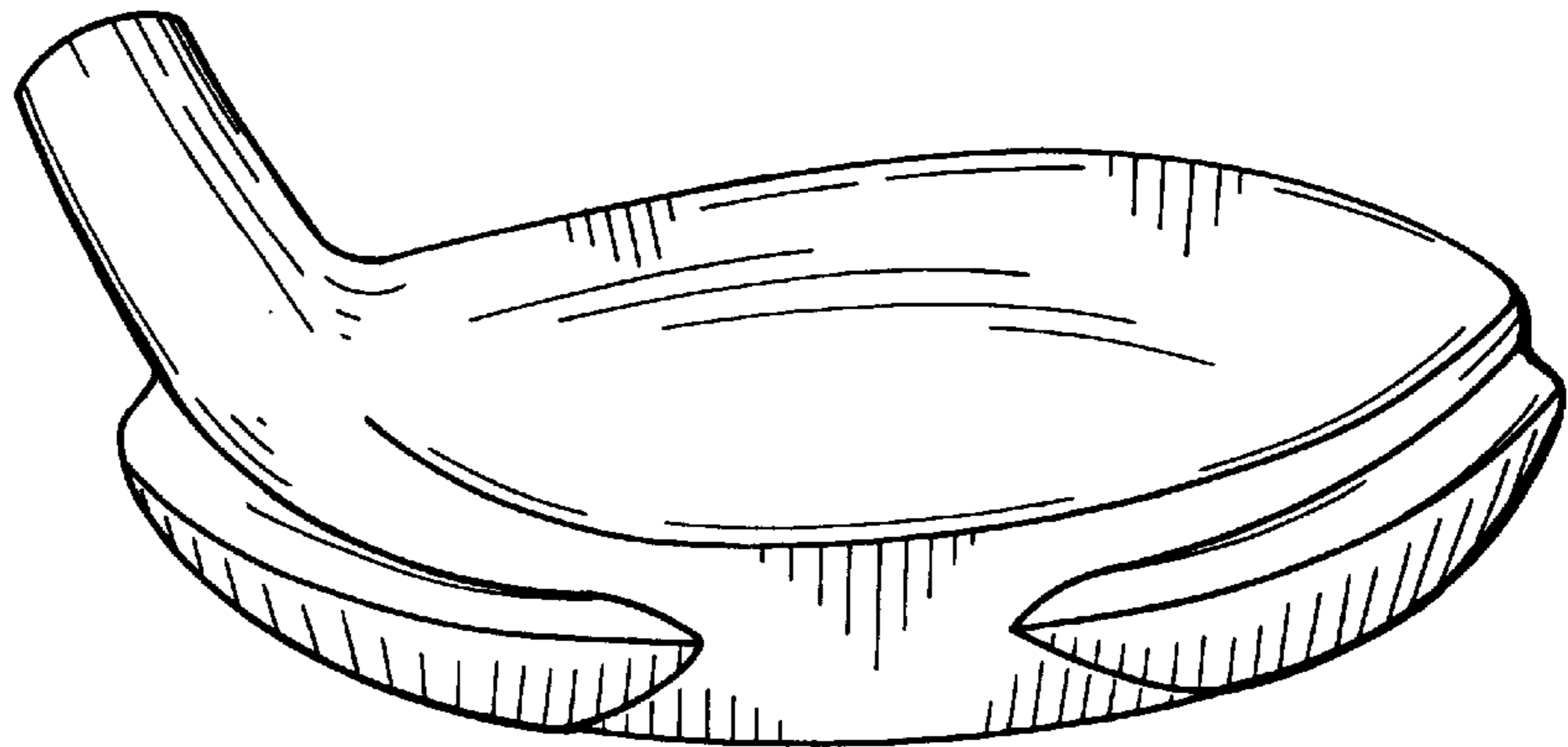
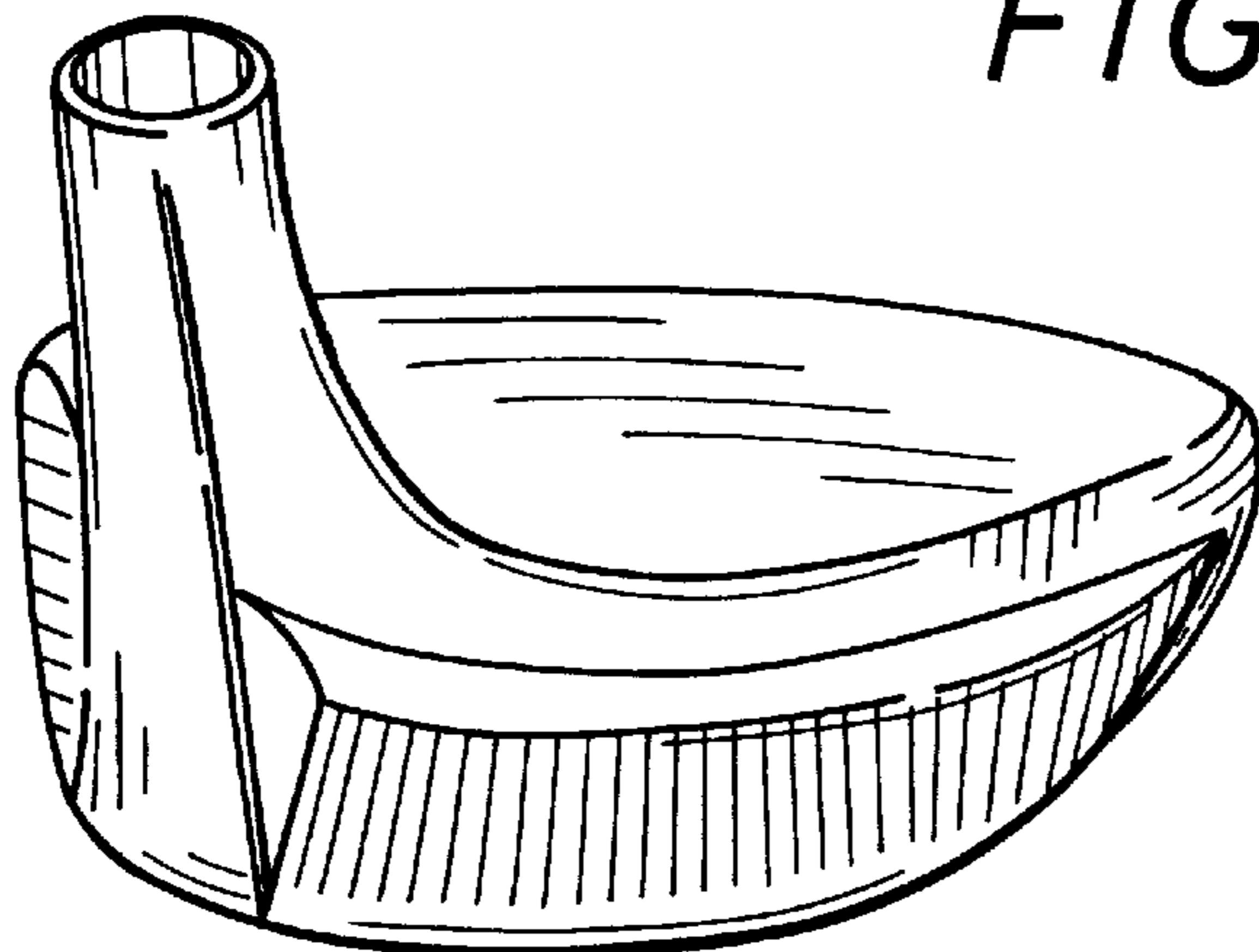


FIG. 3



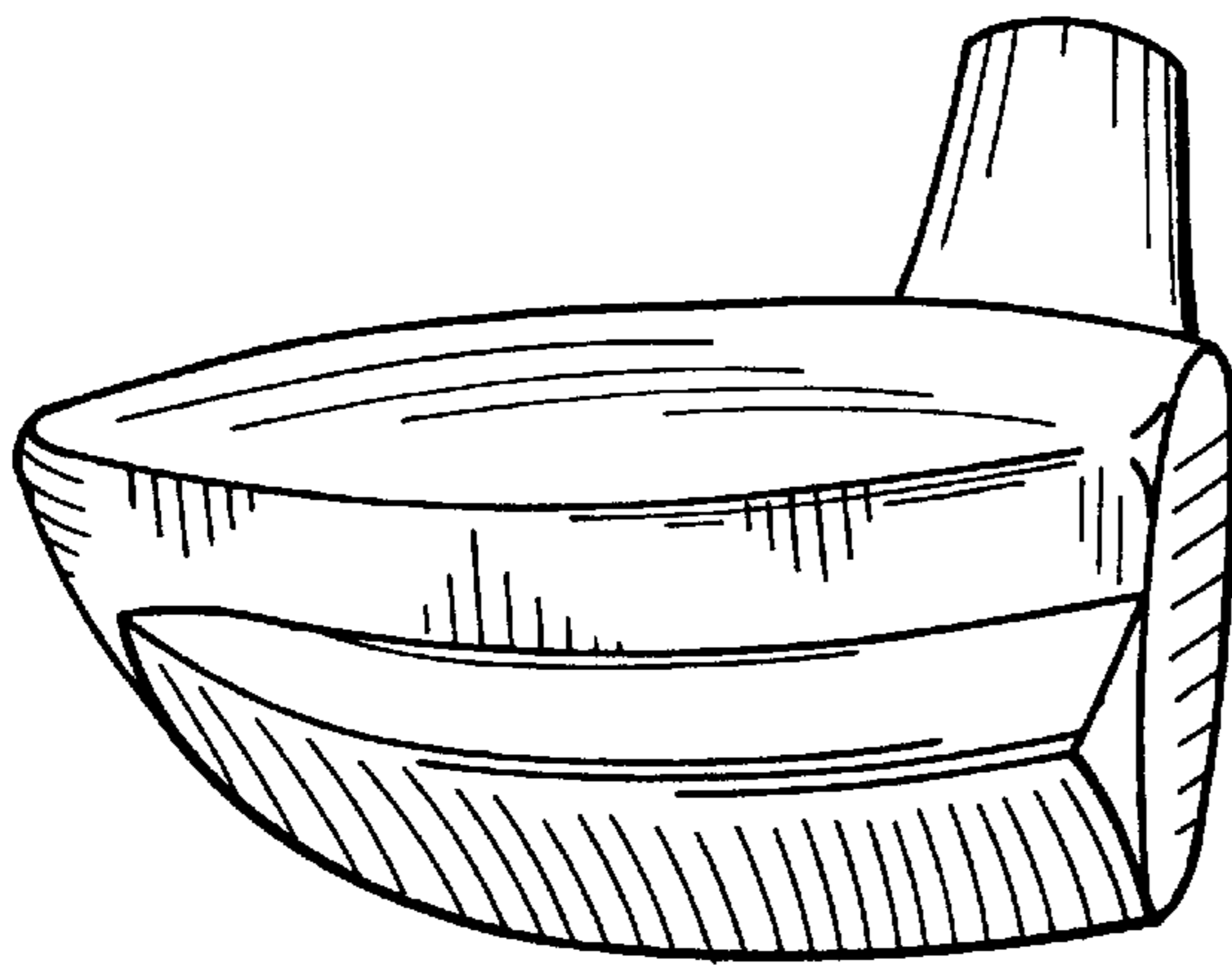


FIG. 4

FIG. 5

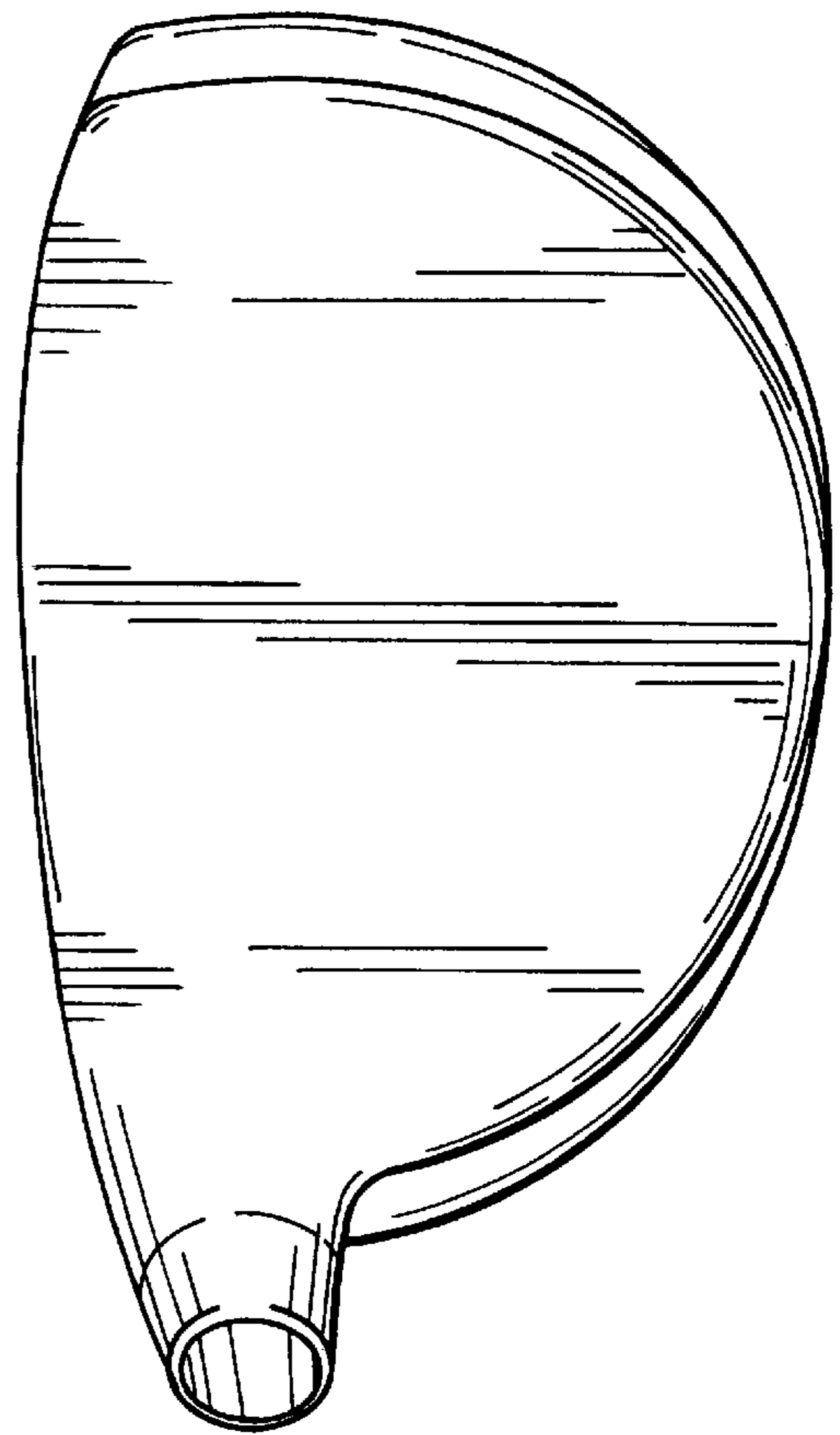
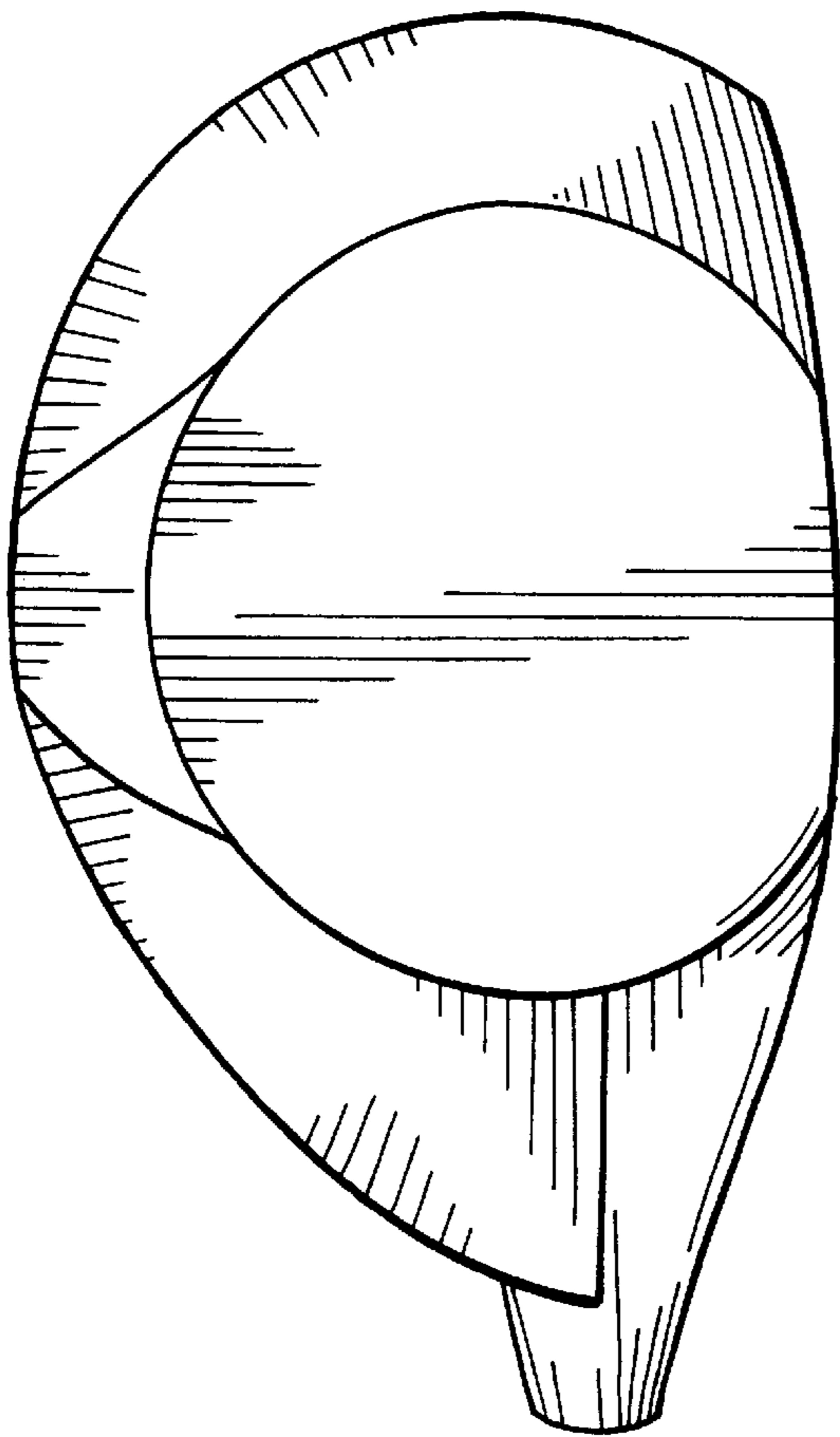


FIG. 6