

US00D402336S

United States Patent [19]

Thomas

[11] **Patent Number: Des. 402,336**

[45] **Date of Patent: **Dec. 8, 1998**

[54] **TOY VAN**

[76] Inventor: **James L. Thomas**, 2007 Victoria Rd.,
Mendota Heights, Minn. 55118

[**] Term: **14 Years**

[21] Appl. No.: **78,133**

[22] Filed: **Oct. 20, 1997**

[51] **LOC (6) Cl. 21-01**

[52] **U.S. Cl. D21/552**

[58] **Field of Search** D21/68-70, 71-81,
D21/128, 131, 134, 136, 137, 140, 141;
D12/1, 3, 16, 87, 90-92, 85, 112; 280/87.01,
87.021, 828, 1.13; 446/93, 95, 465, 469-471,
441, 444

[56] **References Cited**

U.S. PATENT DOCUMENTS

- D. 232,570 8/1974 Kucera D21/137
- D. 234,154 1/1975 Nielsen D21/137
- D. 291,734 9/1987 Shiu D21/136

- D. 310,397 9/1990 Myers D21/128
- D. 345,176 3/1994 Monzyk D21/128

OTHER PUBLICATIONS

International Playthings, p. 12, 1984.
Lilly's Kids, p. 62, 1993.

Primary Examiner—Raphael Barkai
Attorney, Agent, or Firm—Jacobson & Johnson

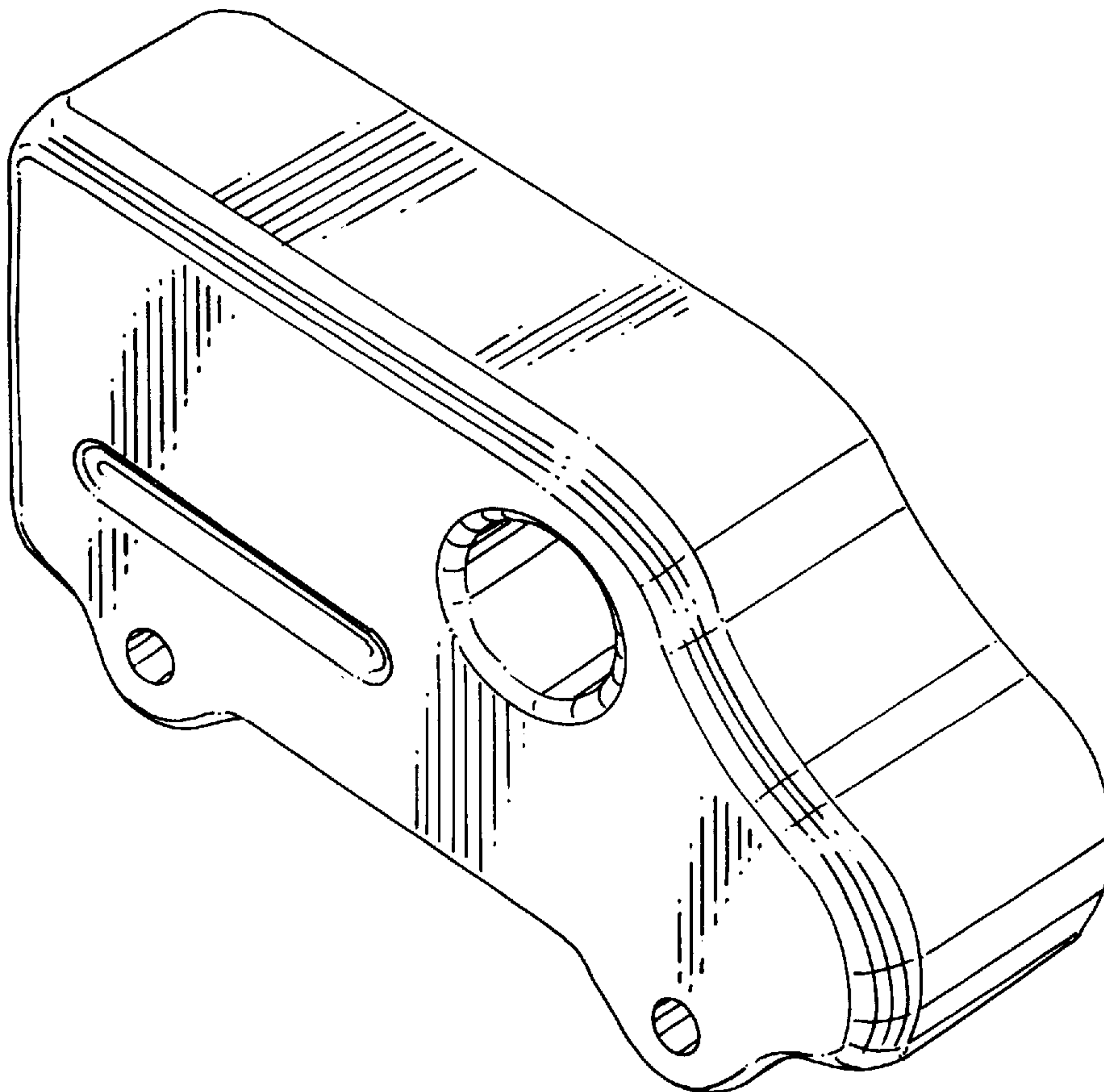
[57] **CLAIM**

The ornamental design for a toy van, as shown.

DESCRIPTION

FIG. 1 is a perspective view of a toy van, showing my design;
FIG. 2 is a left side elevation view;
FIG. 3 is a bottom view;
FIG. 4 is a top view;
FIG. 5 is a front view; and,
FIG. 6 is a rear view.

1 Claim, 2 Drawing Sheets



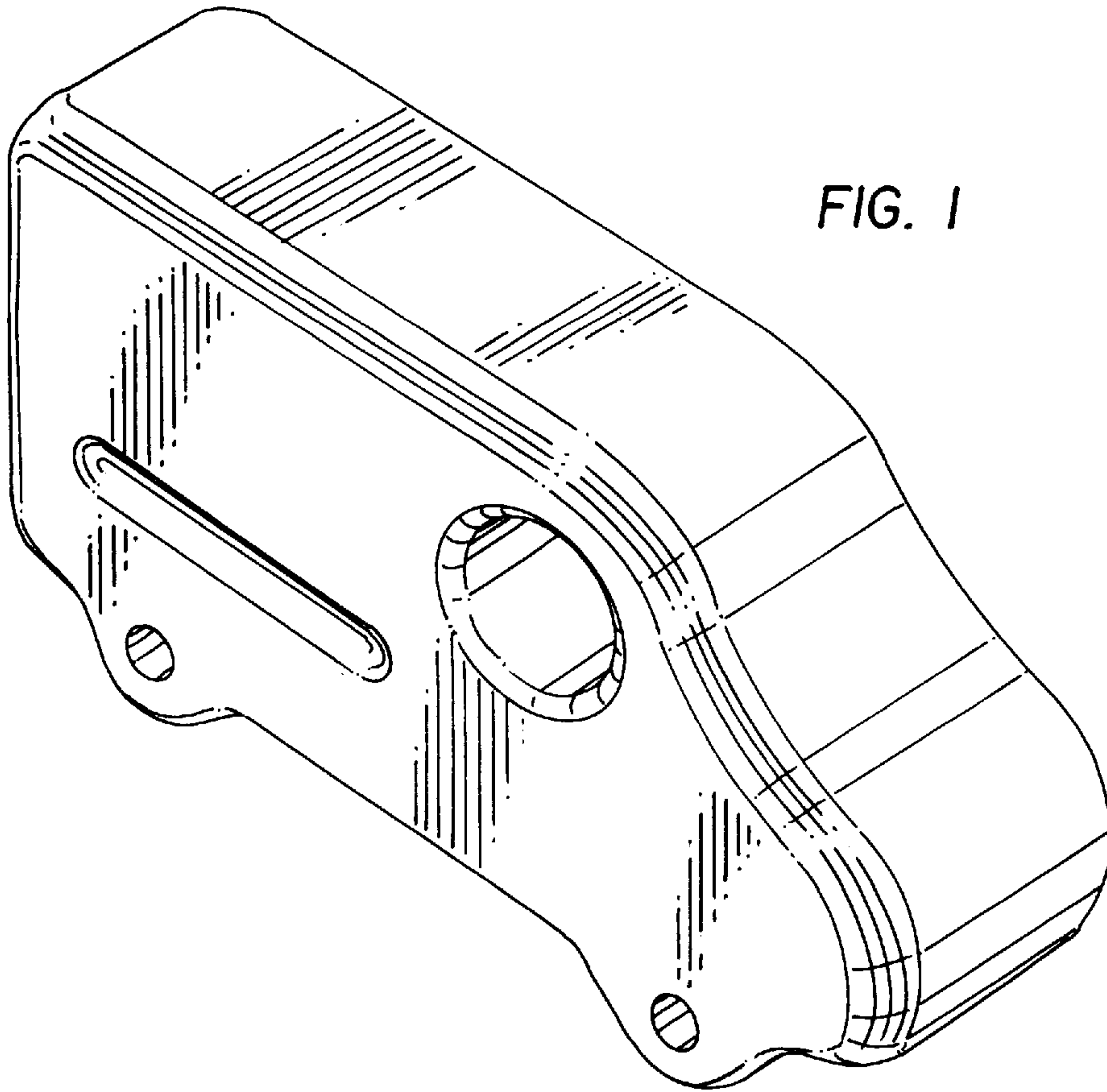


FIG. 2

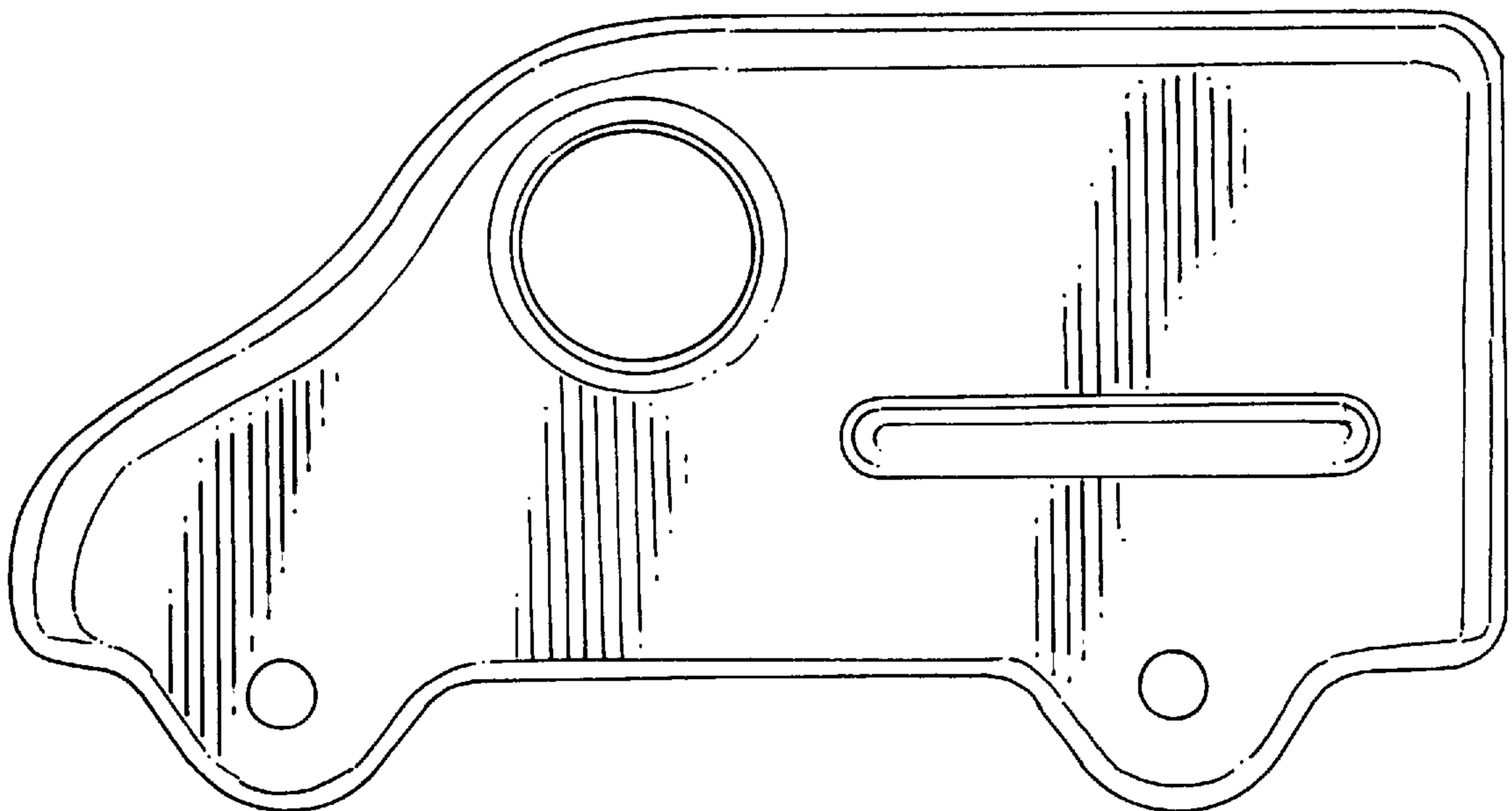


FIG. 3

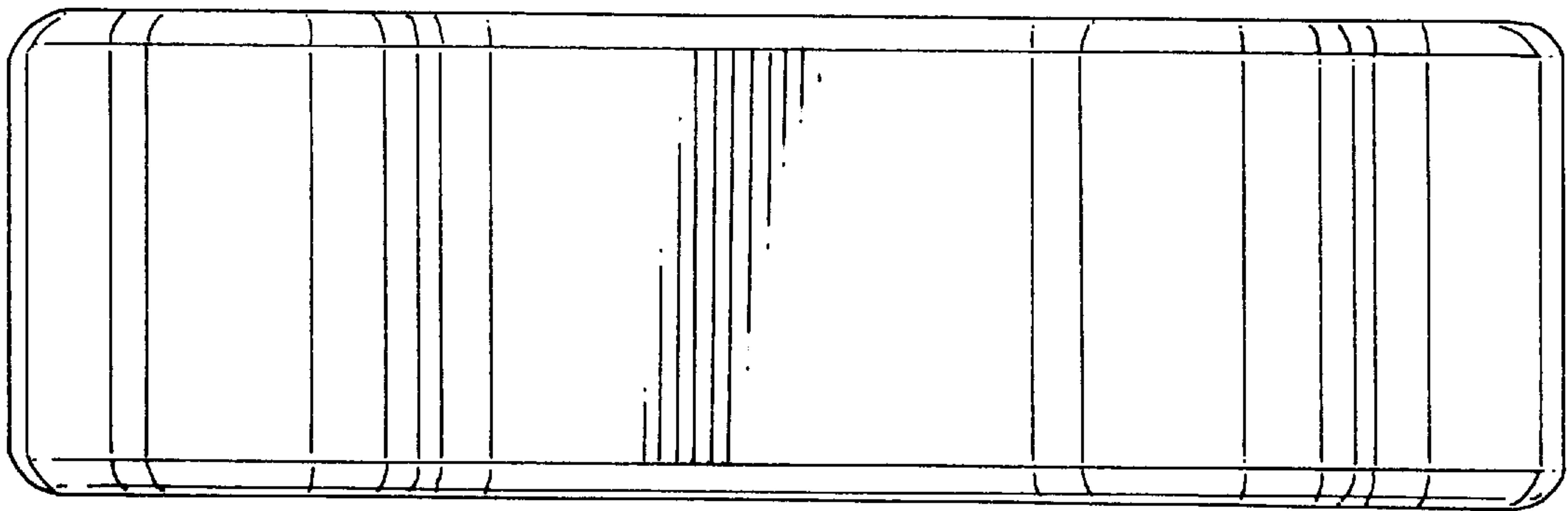


FIG. 4

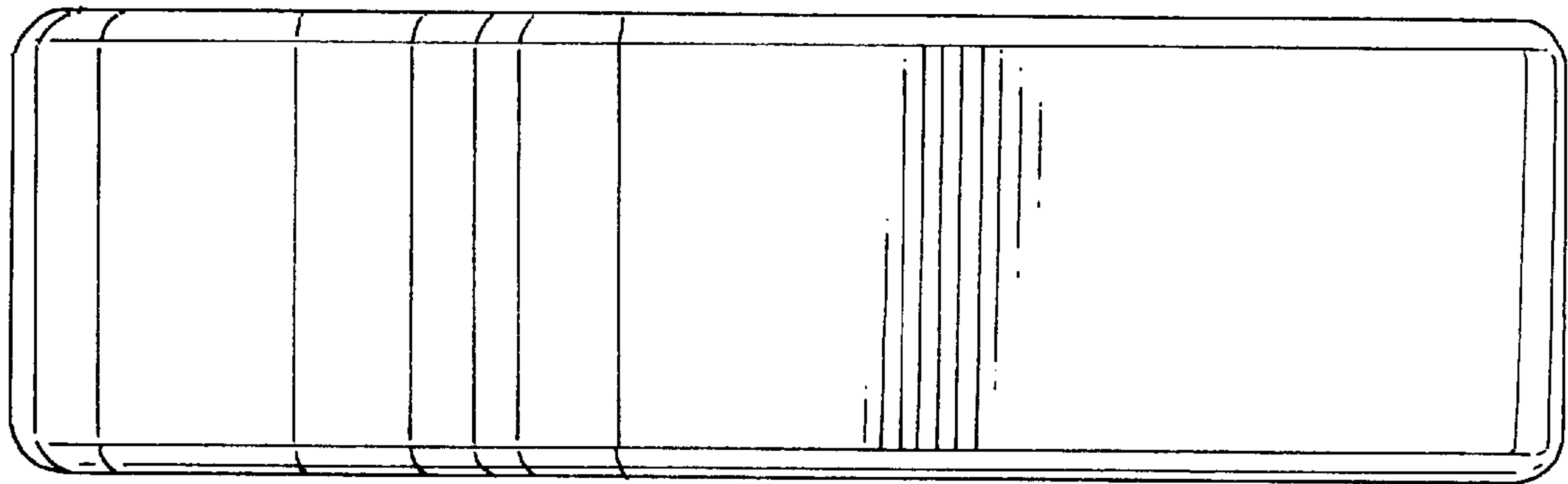


FIG. 5

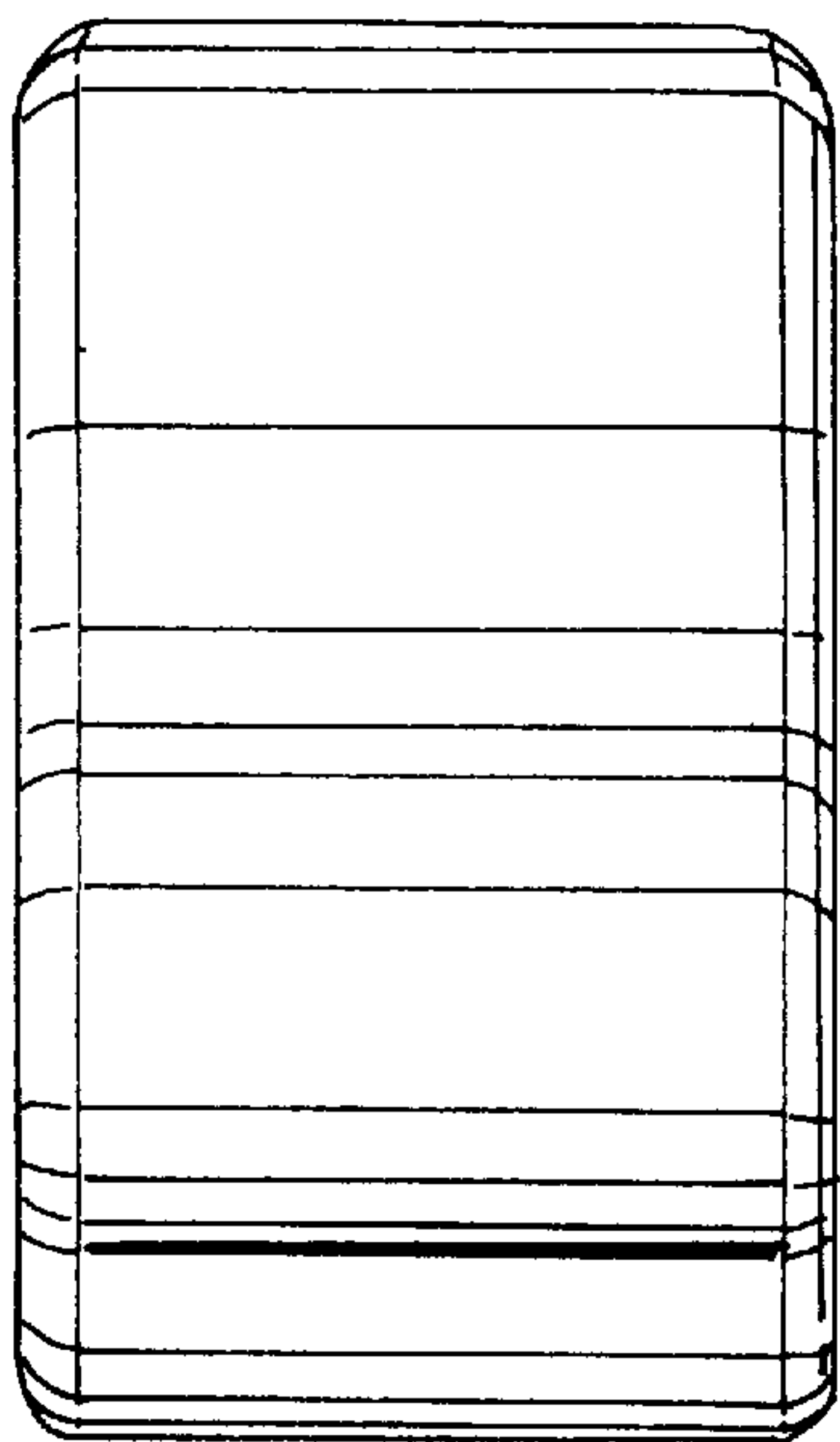


FIG. 6

