



US00D402335S

# United States Patent [19]

Thomas

[11] **Patent Number:** **Des. 402,335**

[45] **Date of Patent:** **\*\*Dec. 8, 1998**

[54] **TOY TRUCK**

D. 310,397 9/1990 Myers ..... D21/128  
D. 345,176 3/1994 Monzyk ..... D21/128

[76] Inventor: **James L. Thomas**, 2007 Victoria Rd.,  
Mendota Heights, Minn. 55118

### OTHER PUBLICATIONS

[\*\*] Term: **14 Years**

International Playthings, p. 12, 1984.  
Lilly's Kids, p. 62, 1993.

[21] Appl. No.: **78,132**

*Primary Examiner*—Raphael Barkai  
*Attorney, Agent, or Firm*—Jacobson & Johnson

[22] Filed: **Oct. 20, 1997**

[51] **LOC (6) Cl.** ..... **21-01**

[52] **U.S. Cl.** ..... **D21/552**

[58] **Field of Search** ..... D21/68-70, 71-81,  
D21/128, 131, 134, 136, 137, 140, 141;  
D12/1, 3, 16, 87, 90-92, 85, 112; 280/87.01,  
87.021, 828, 1.13; 446/93, 95, 465, 469-471,  
441, 444

### [57] CLAIM

The ornamental design for a toy truck, as shown.

### DESCRIPTION

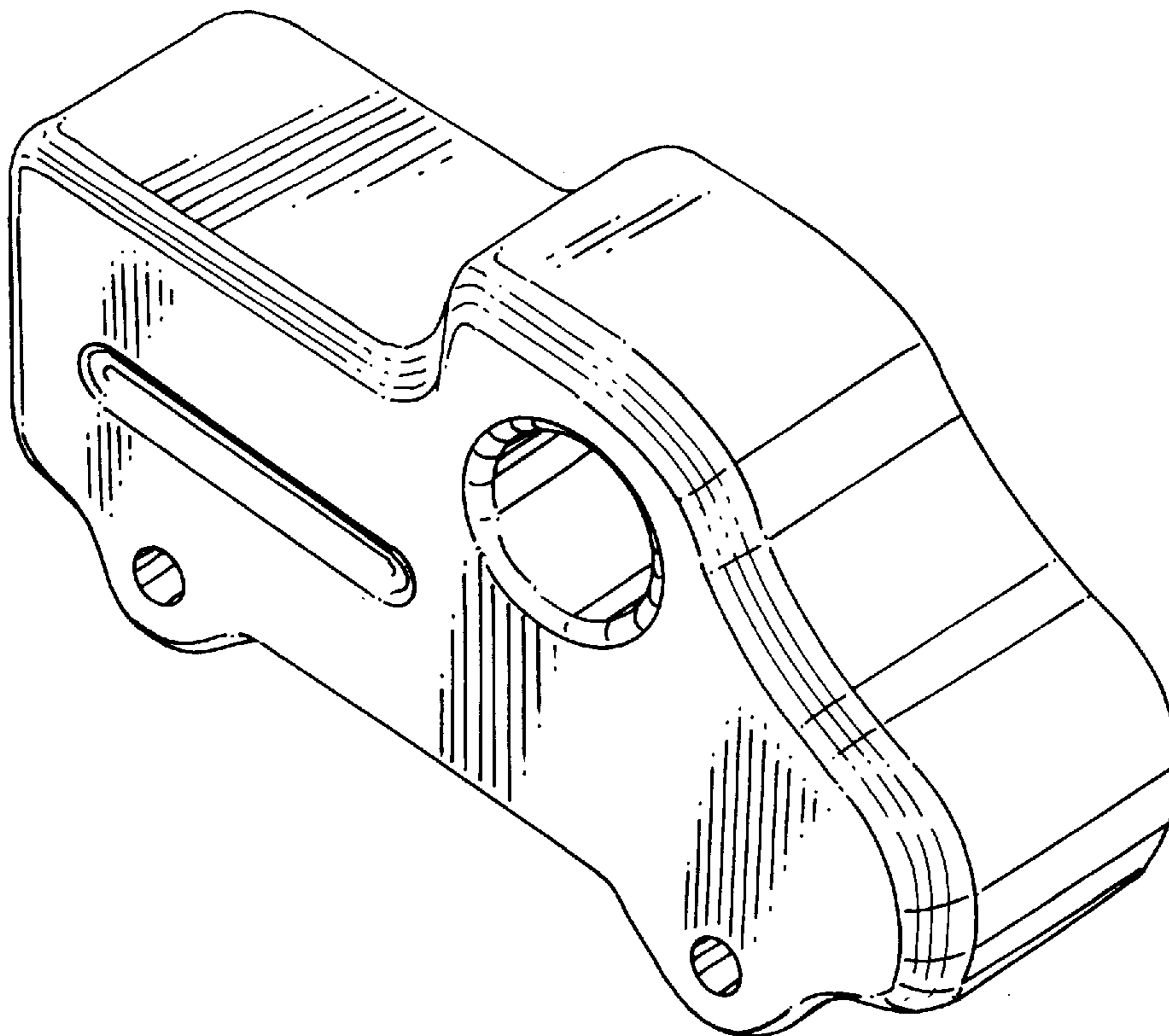
FIG. 1 is a perspective view of a toy truck, showing my design;  
FIG. 2 is a left side elevation view;  
FIG. 3 is a bottom view;  
FIG. 4 is a top view;  
FIG. 5 is a front view; and,  
FIG. 6 is a rear view.

### [56] References Cited

#### U.S. PATENT DOCUMENTS

D. 232,570 8/1974 Kucera ..... D21/137  
D. 234,154 1/1975 Nielsen ..... D21/137  
D. 291,734 9/1987 Shiu ..... D21/136

**1 Claim, 2 Drawing Sheets**



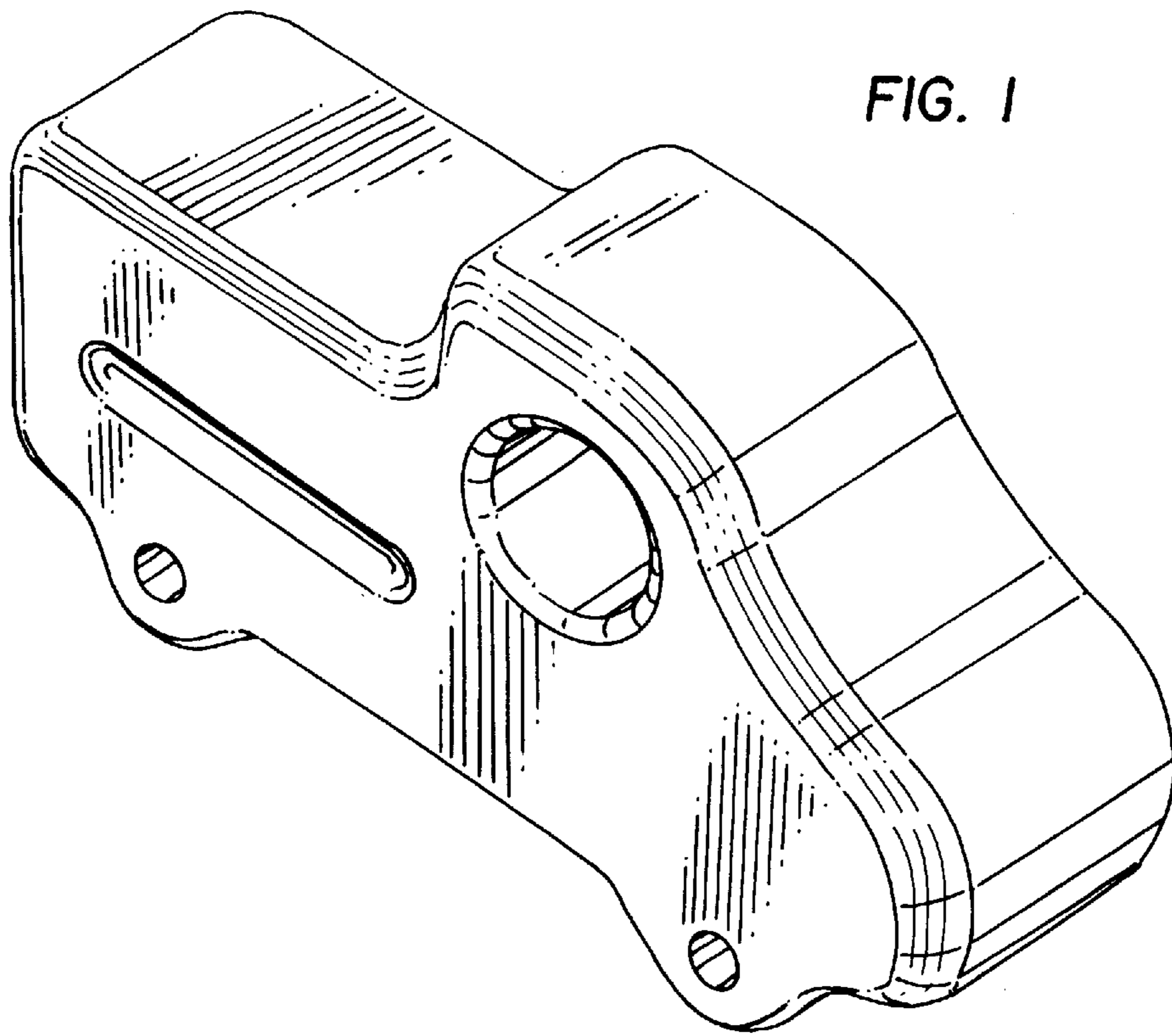


FIG. 2

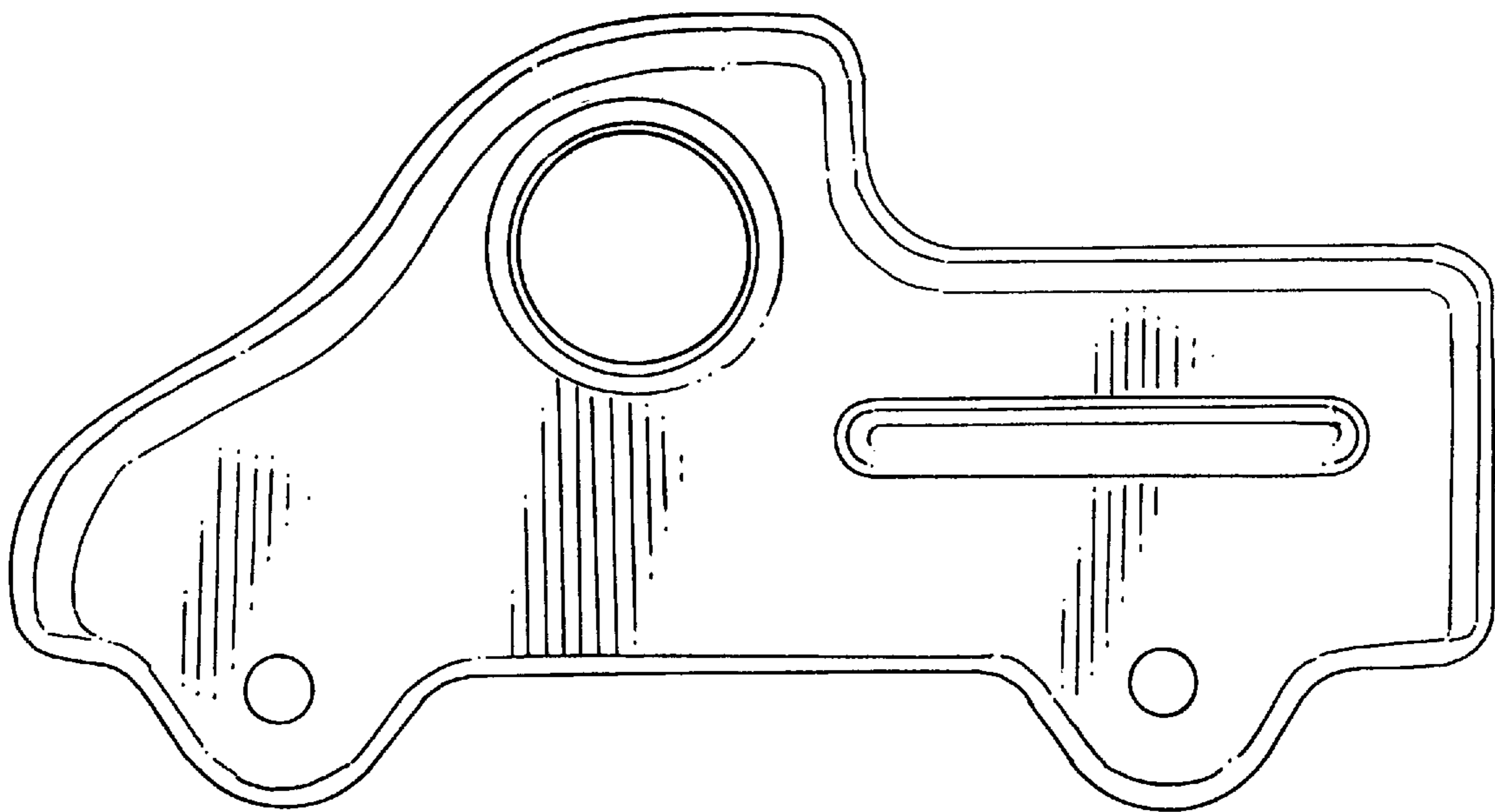


FIG. 3

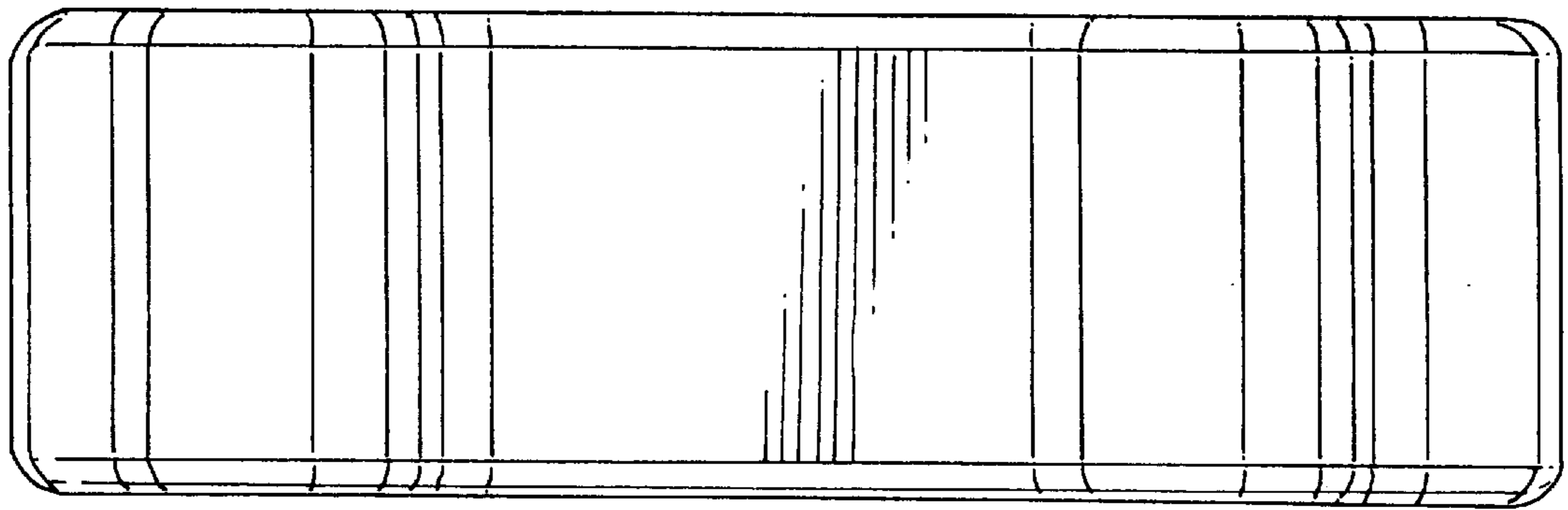


FIG. 4

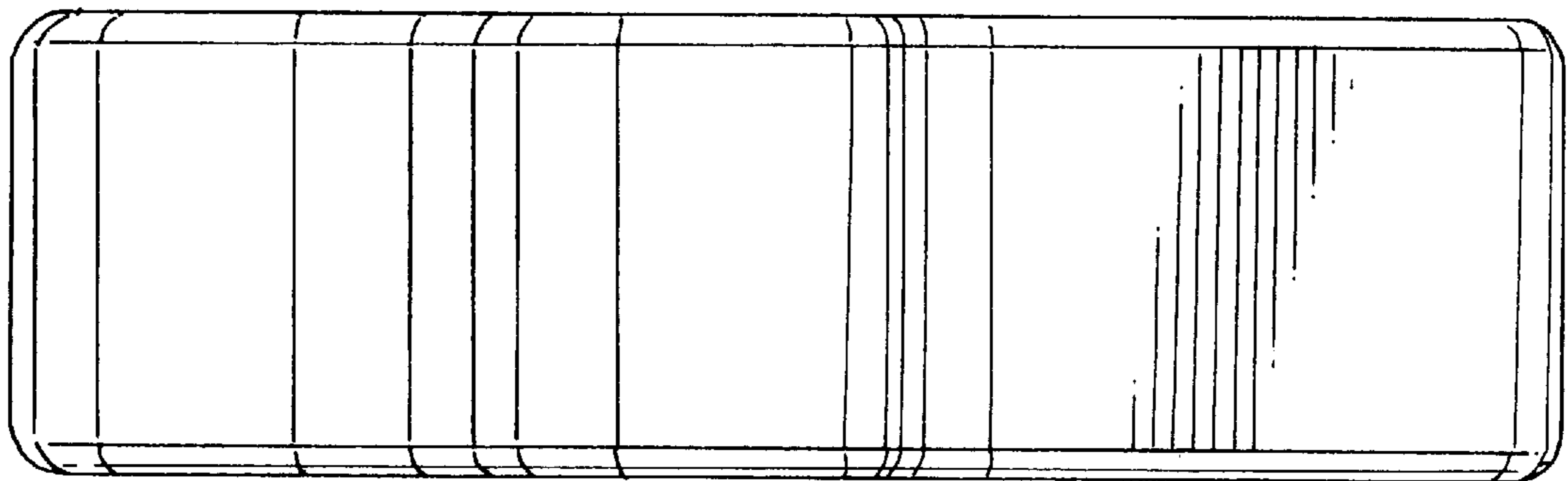


FIG. 5

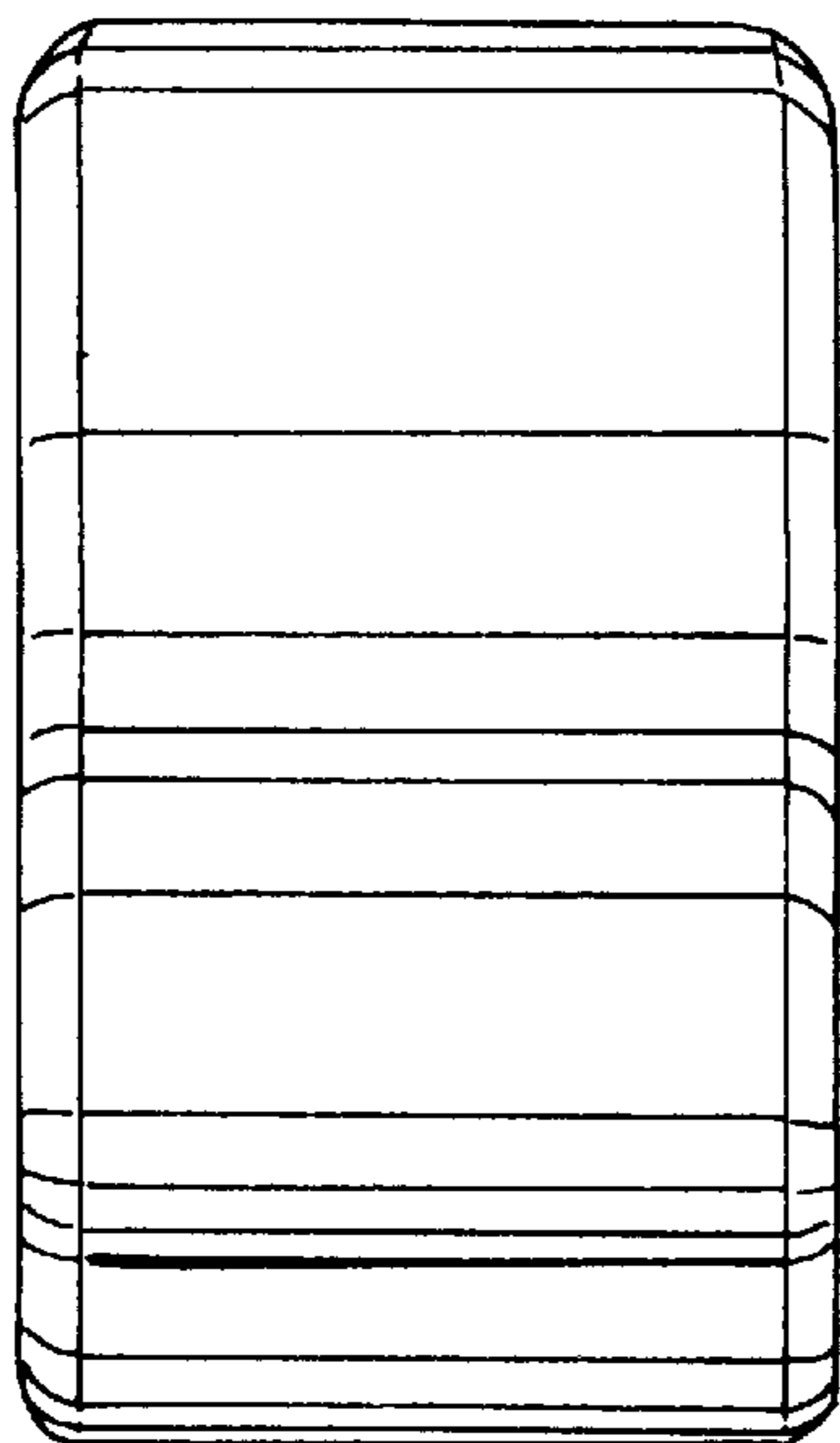


FIG. 6

