



US00D402333S

United States Patent [19]
Shepherd

[11] **Patent Number:** **Des. 402,333**
[45] **Date of Patent:** ****Dec. 8, 1998**

[54] **PUZZLE**

[76] **Inventor:** **Donald L. Shepherd**, 4304 Mira Loma,
Reno, Nev. 89502

[**] **Term:** **14 Years**

[21] **Appl. No.:** **76,616**

[22] **Filed:** **Sep. 3, 1997**

[51] **LOC (6) Cl.** **21-01**

[52] **U.S. Cl.** **D21/482**

[58] **Field of Search** D21/482; 273/158,
273/159

[56] **References Cited**

U.S. PATENT DOCUMENTS

D. 173,360	11/1954	Kerner et al.	D21/482
D. 253,902	1/1980	Schoentag	D21/482
D. 347,866	6/1994	Mikhail	D21/482
1,327,388	1/1920	Ince	273/158

OTHER PUBLICATIONS

Puzzles Old and New, How to Make and Solve Them, by Jerry Slocum and Jack Botermans; Tricycle shaped pentangle puzzles, Jan. 1986.

Primary Examiner—Dominic Simone
Attorney, Agent, or Firm—Brian C. Kelly LLM

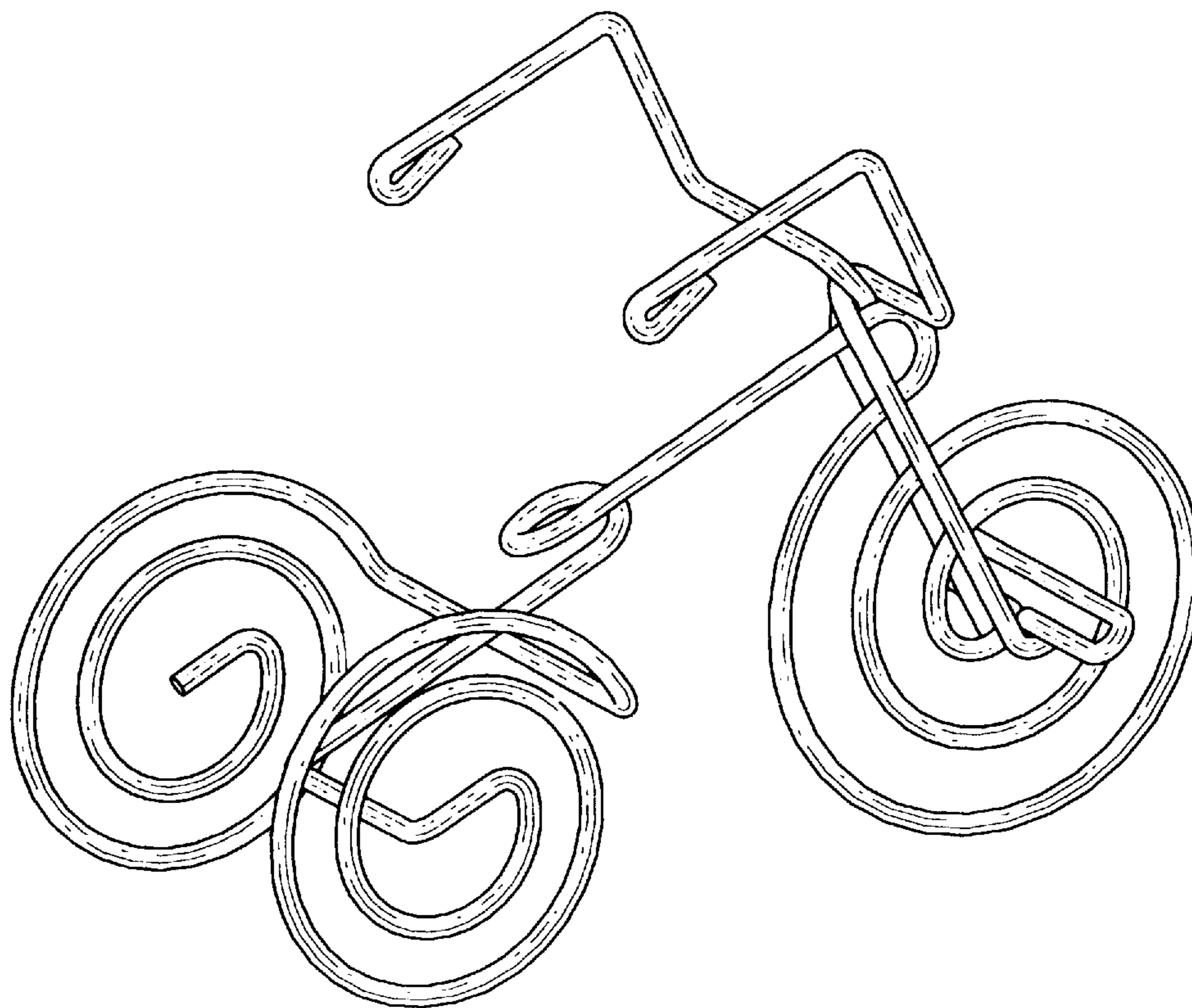
[57] **CLAIM**

The ornamental design for a puzzle, as shown.

DESCRIPTION

FIG. 1 is a top, rear perspective view of a puzzle showing my new design;
 FIG. 2 is a left side elevational view thereof;
 FIG. 3 is a top plan view thereof;
 FIG. 4 is a right side elevational view thereof;
 FIG. 5 is a bottom plan view thereof;
 FIG. 6 is a front elevational view thereof;
 FIG. 7 is a rear elevational view thereof;
 FIG. 8 is a top rear perspective view of the bottom section of the puzzle, shown separately for illustrative purposes only;
 FIG. 9 is a left side elevational view of FIG. 8;
 FIG. 10 is a top plan view of FIG. 8;
 FIG. 11 is a right side elevational view of FIG. 8;
 FIG. 12 is a bottom plan view of FIG. 8;
 FIG. 13 is a front elevational view of FIG. 8;
 FIG. 14 is a rear elevational view of FIG. 8;
 FIG. 15 is a top rear perspective view of the top section of the puzzle, shown separately for illustrative purposes only;
 FIG. 16 is a left side elevational view of FIG. 15;
 FIG. 17 is a top plan view of FIG. 15;
 FIG. 18 is a right side elevational view of FIG. 15;
 FIG. 19 is a bottom plan view of FIG. 15;
 FIG. 20 is a front elevational view of FIG. 15; and,
 FIG. 21 is a rear elevational view of FIG. 1.

1 Claim, 5 Drawing Sheets



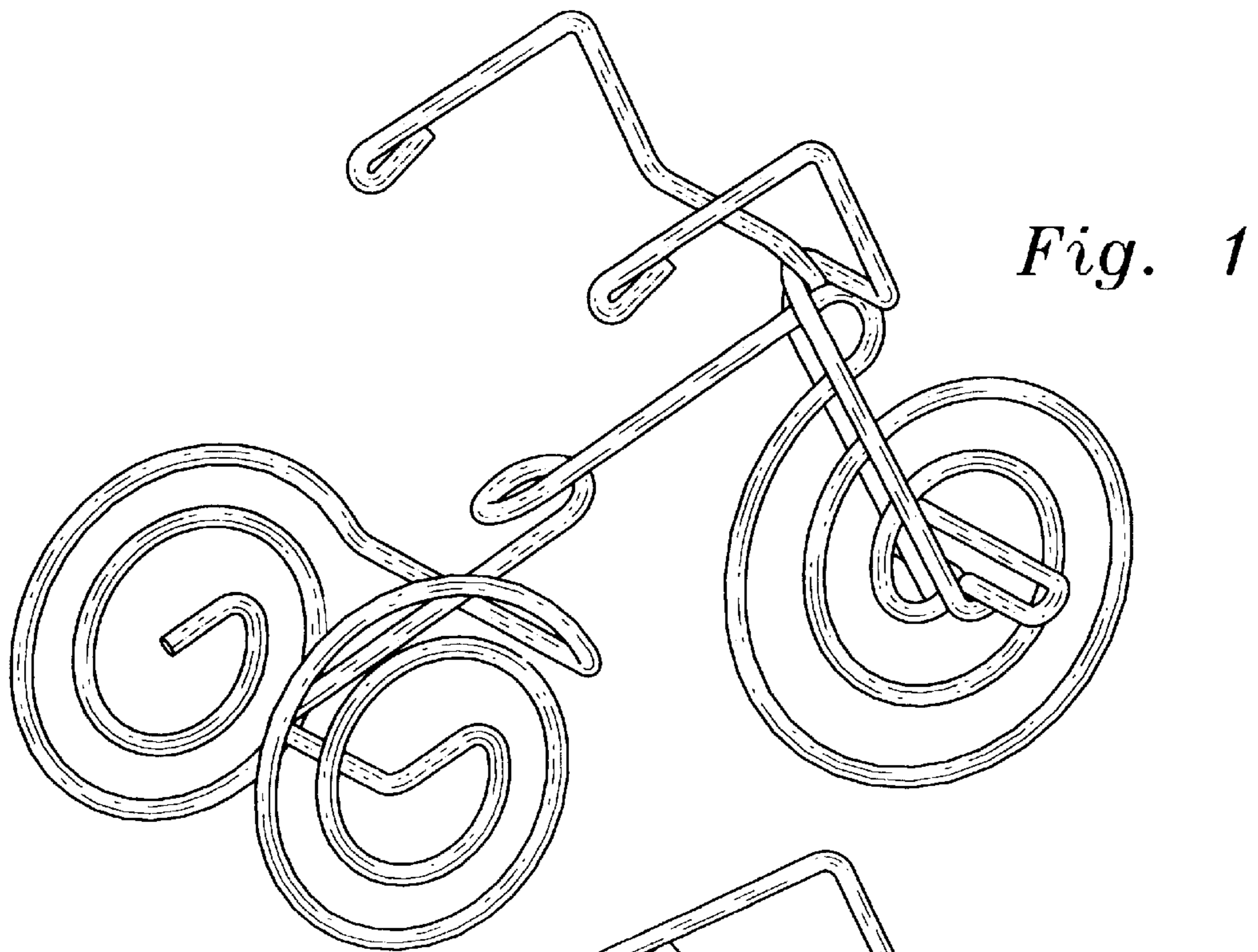


Fig. 1

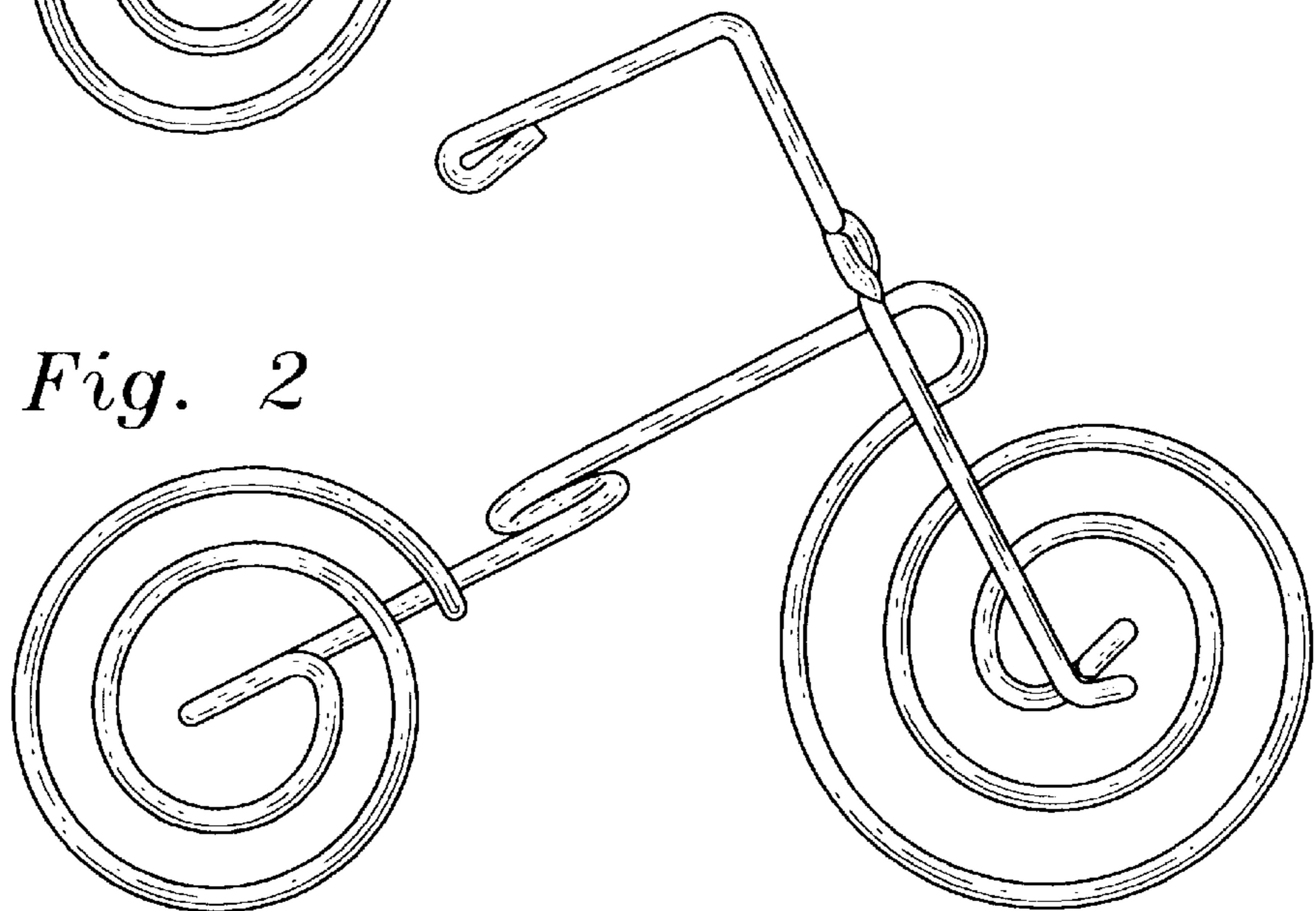


Fig. 2

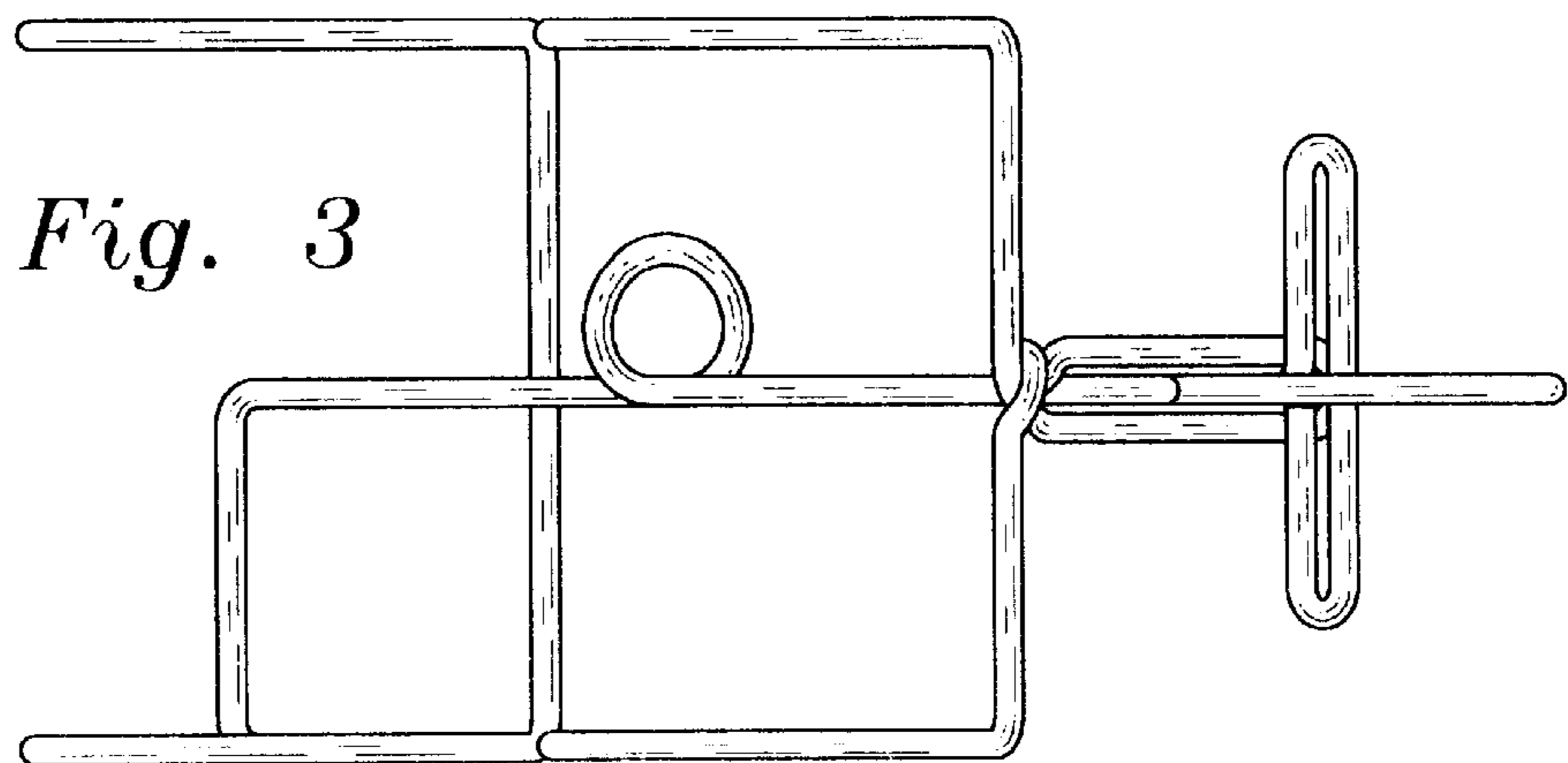


Fig. 3

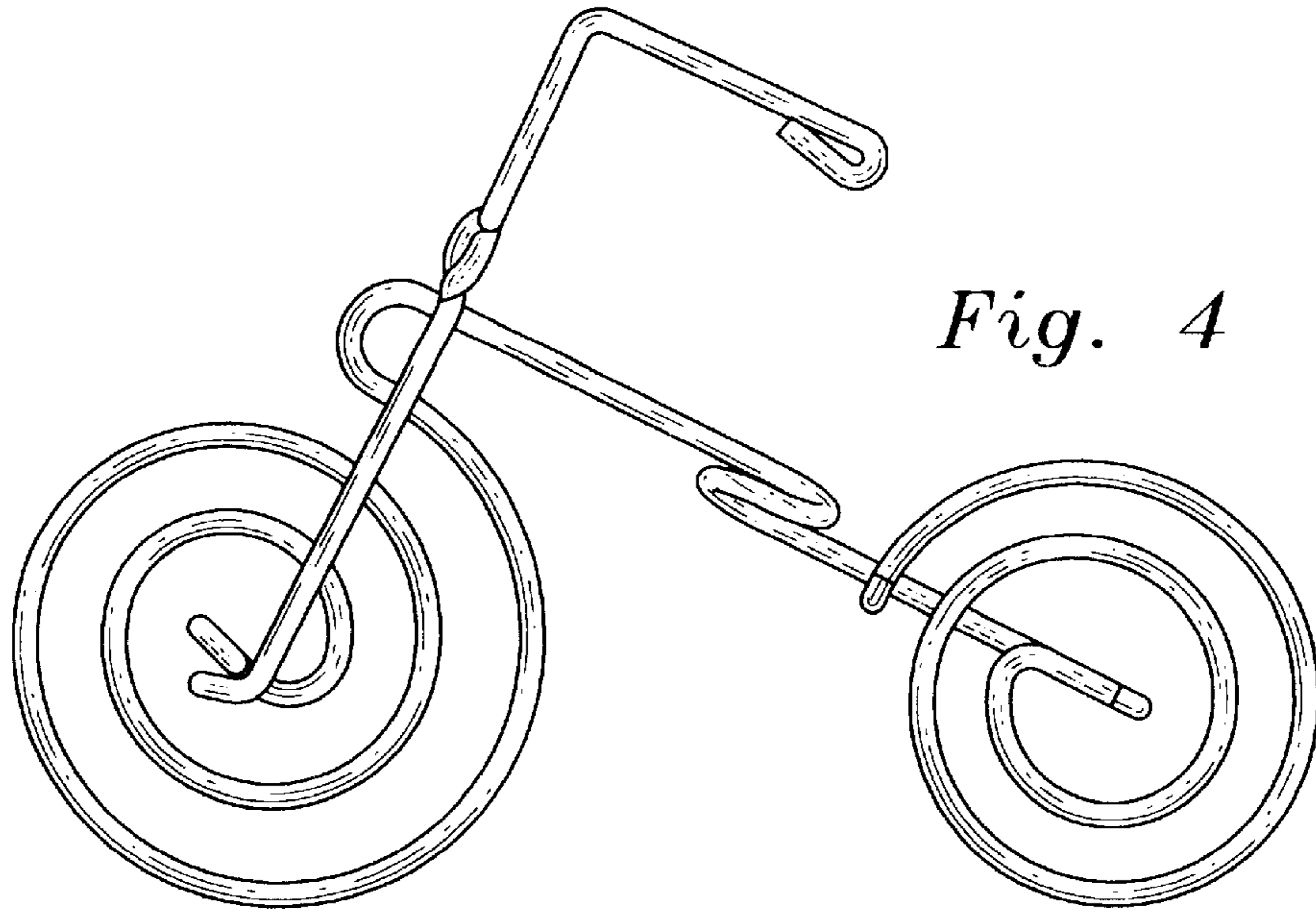


Fig. 4

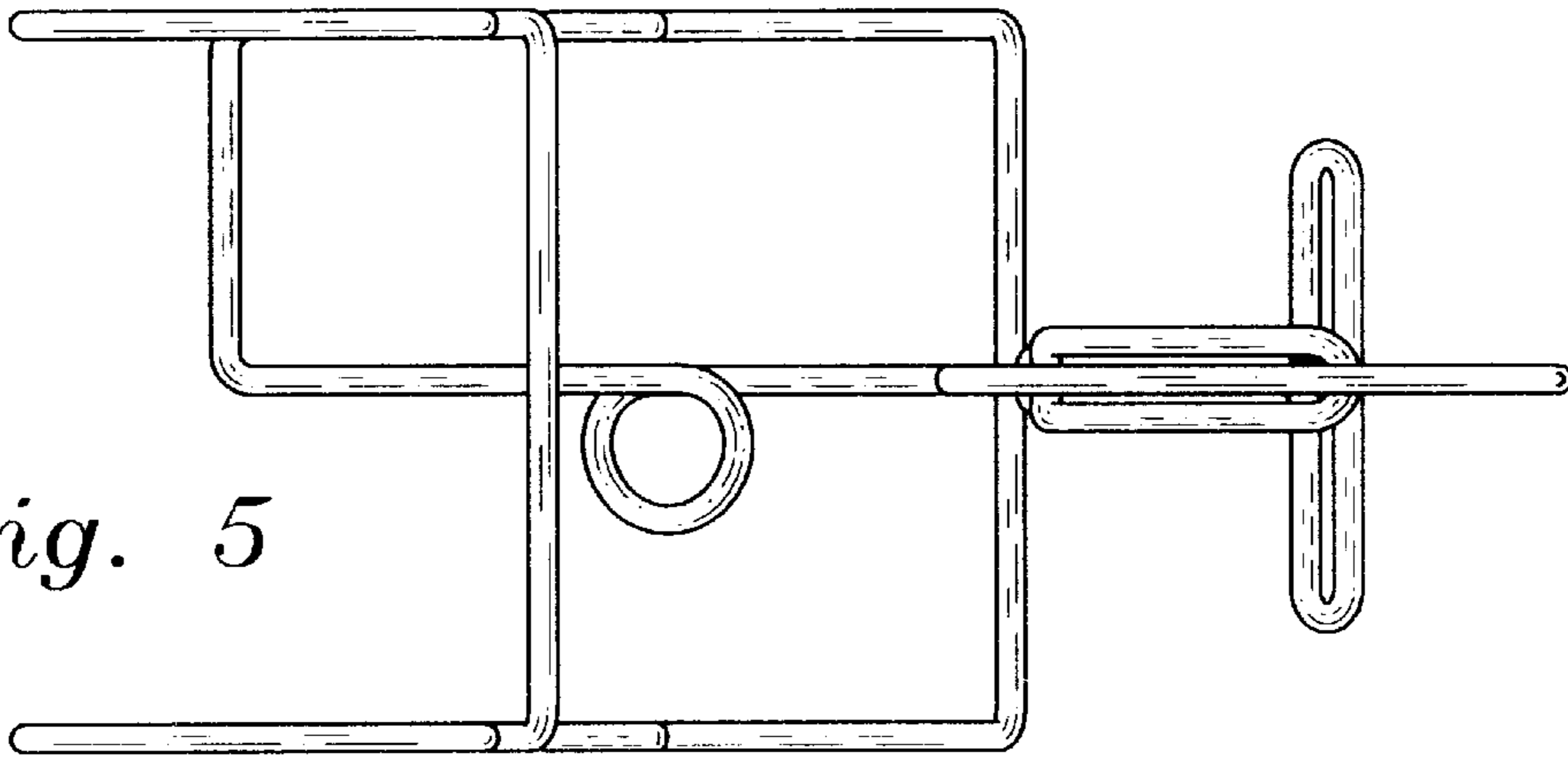


Fig. 5

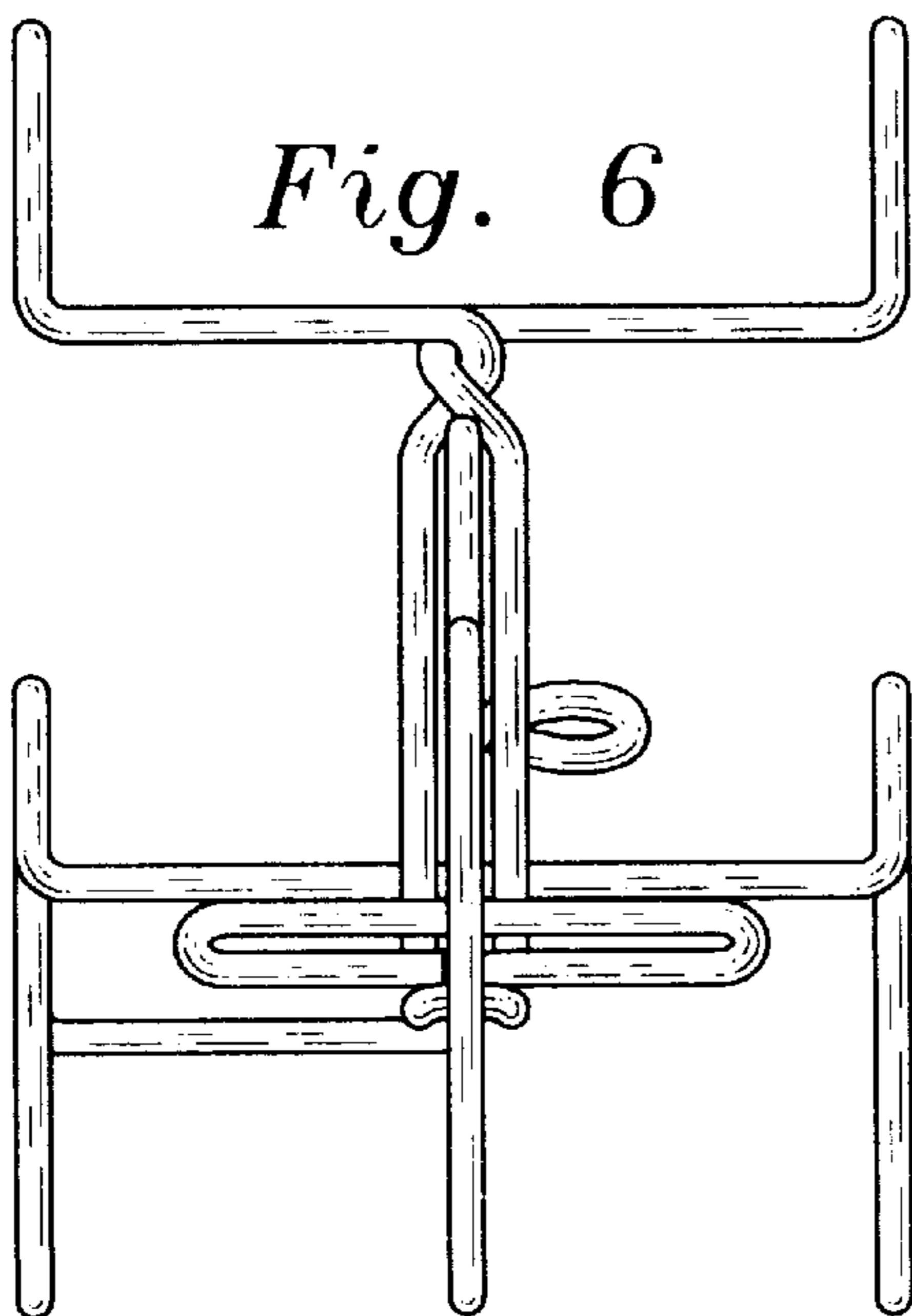


Fig. 6

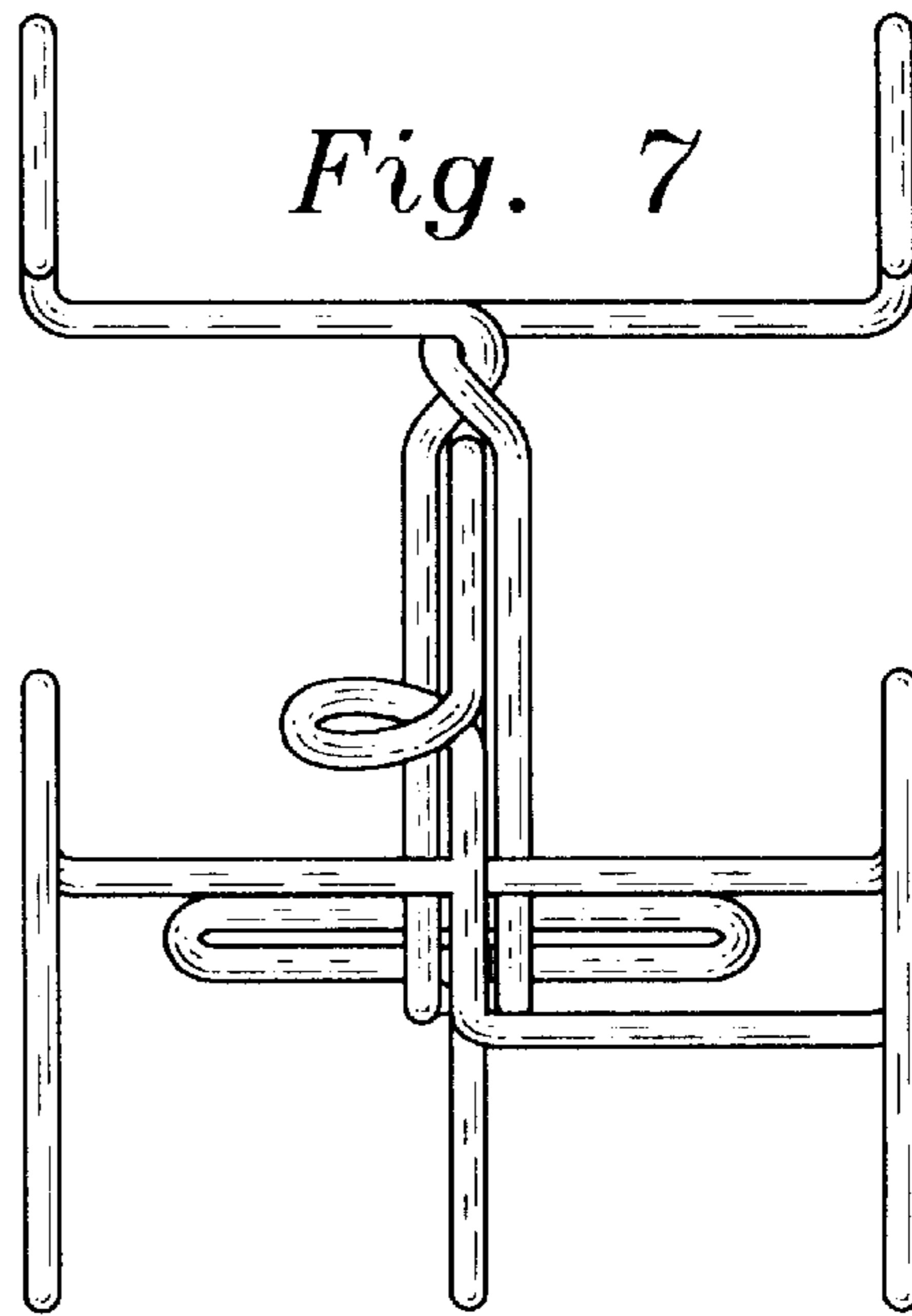


Fig. 7

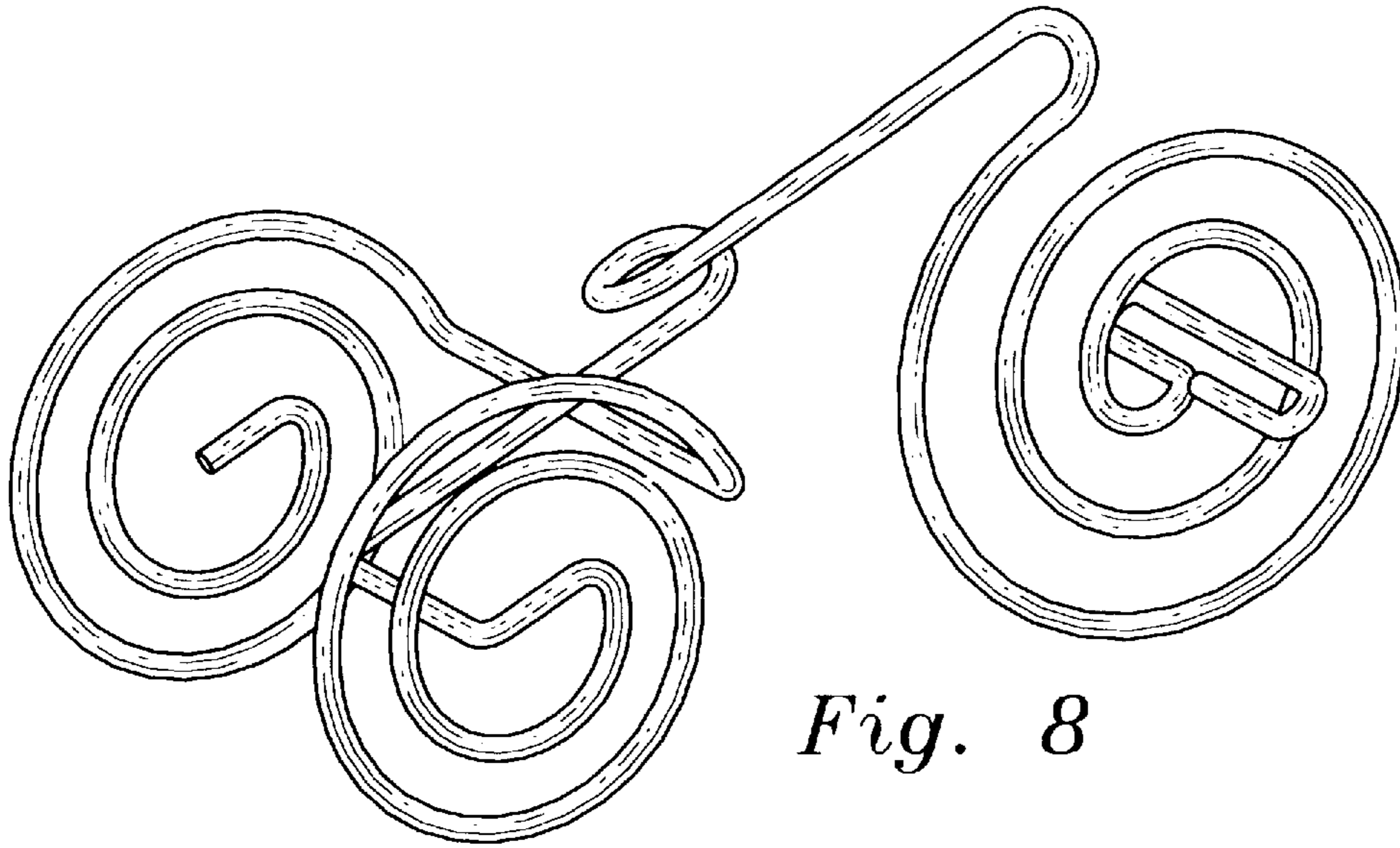


Fig. 8

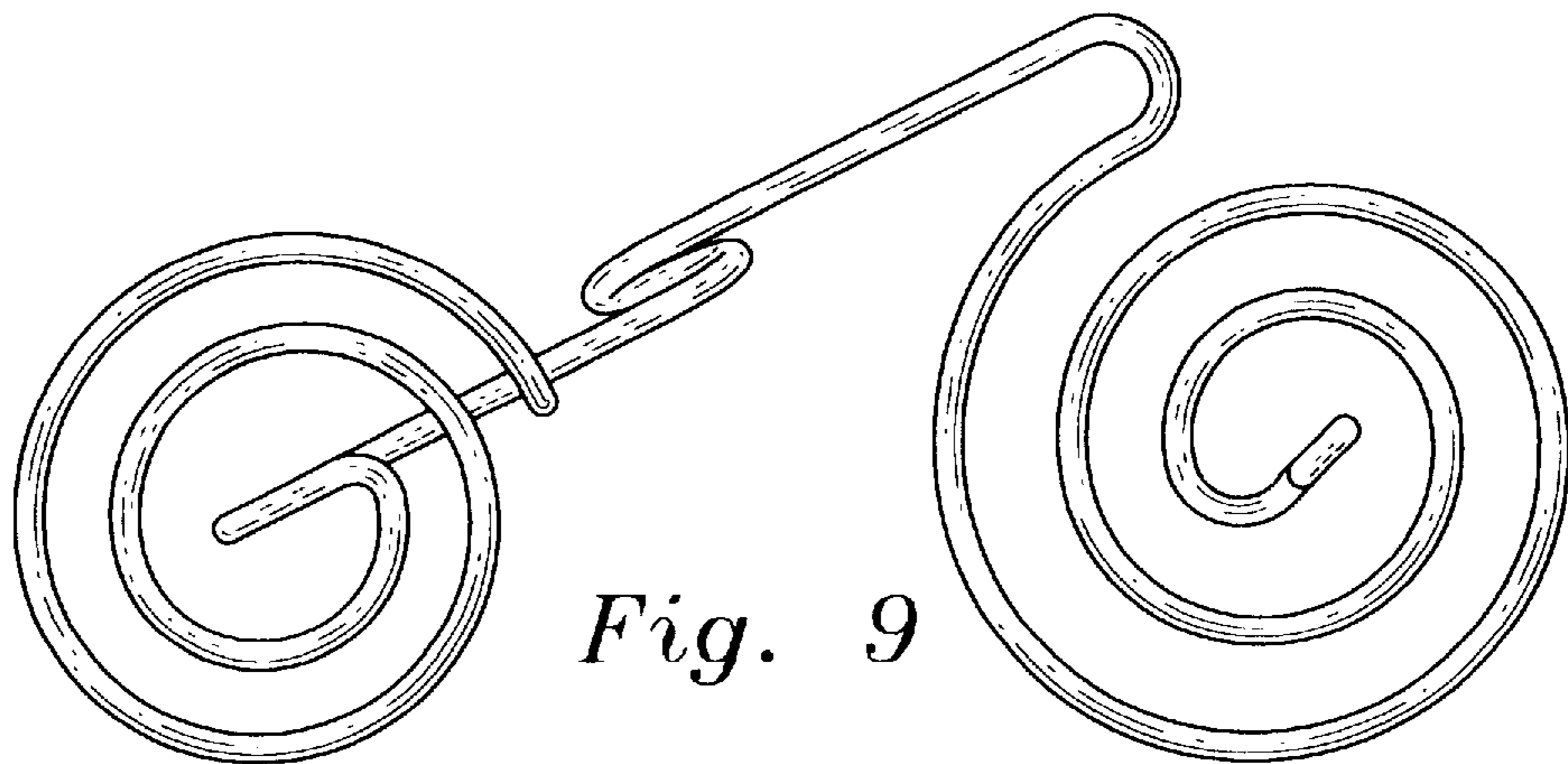


Fig. 9

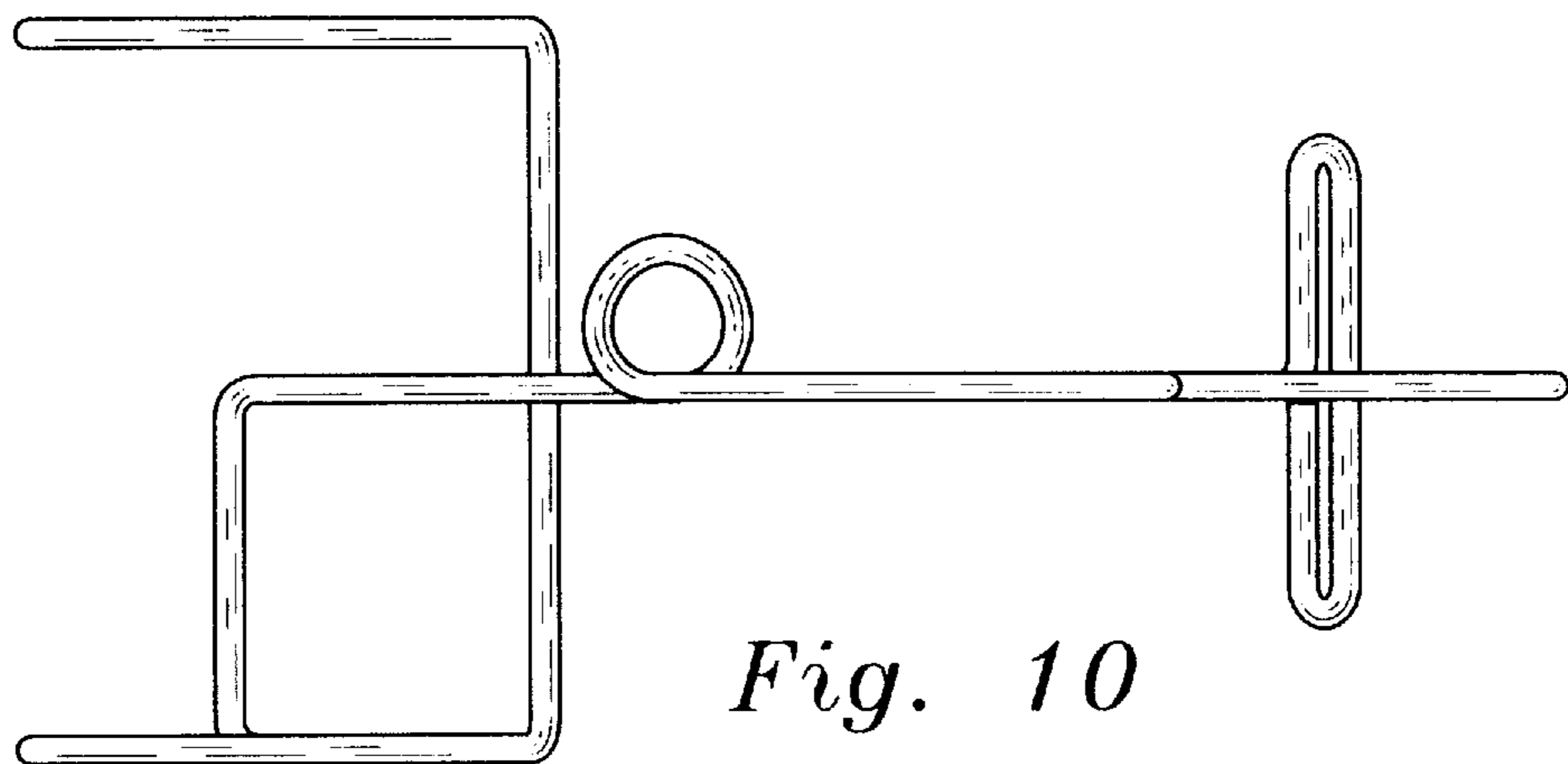


Fig. 10

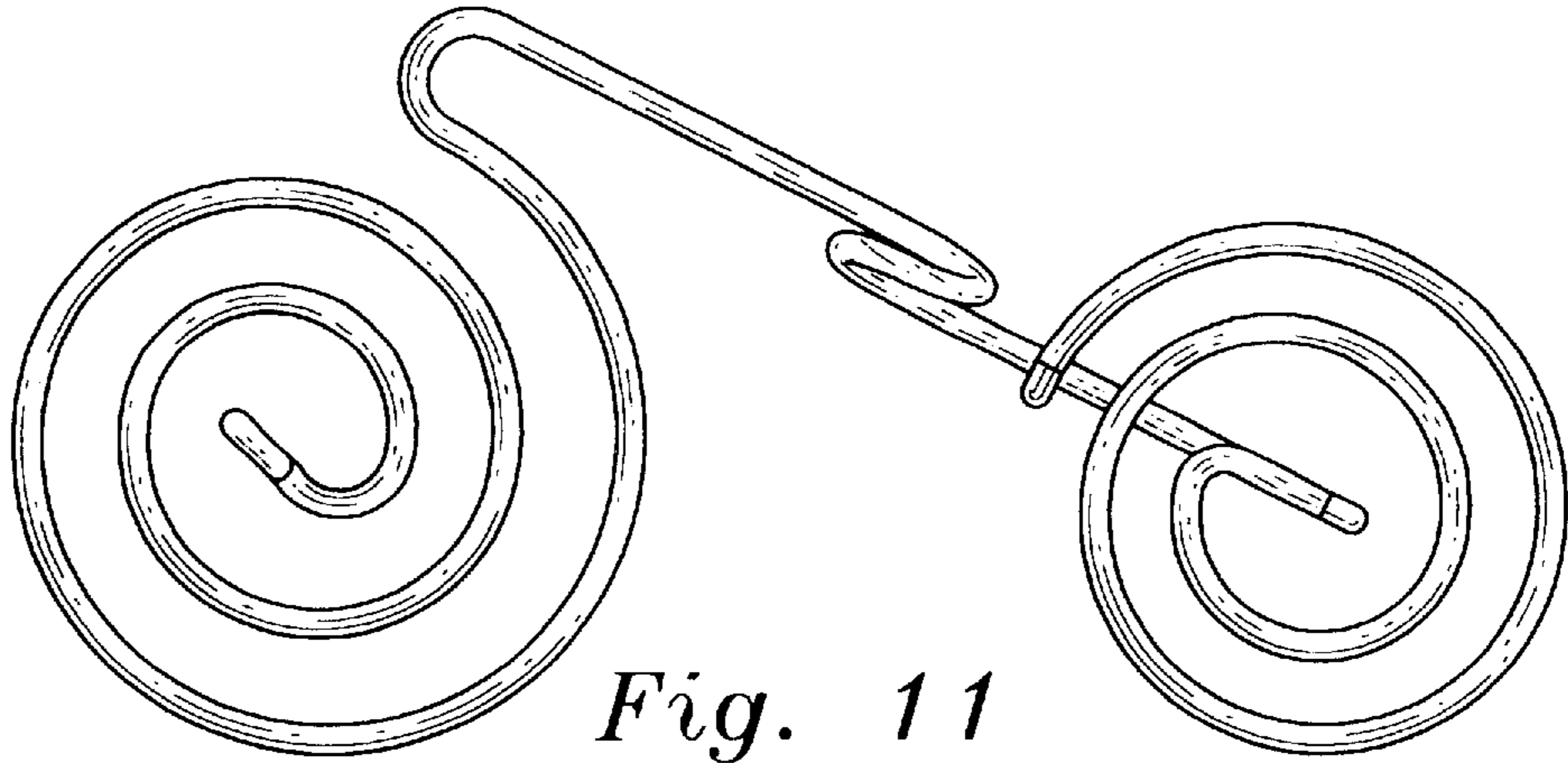


Fig. 11

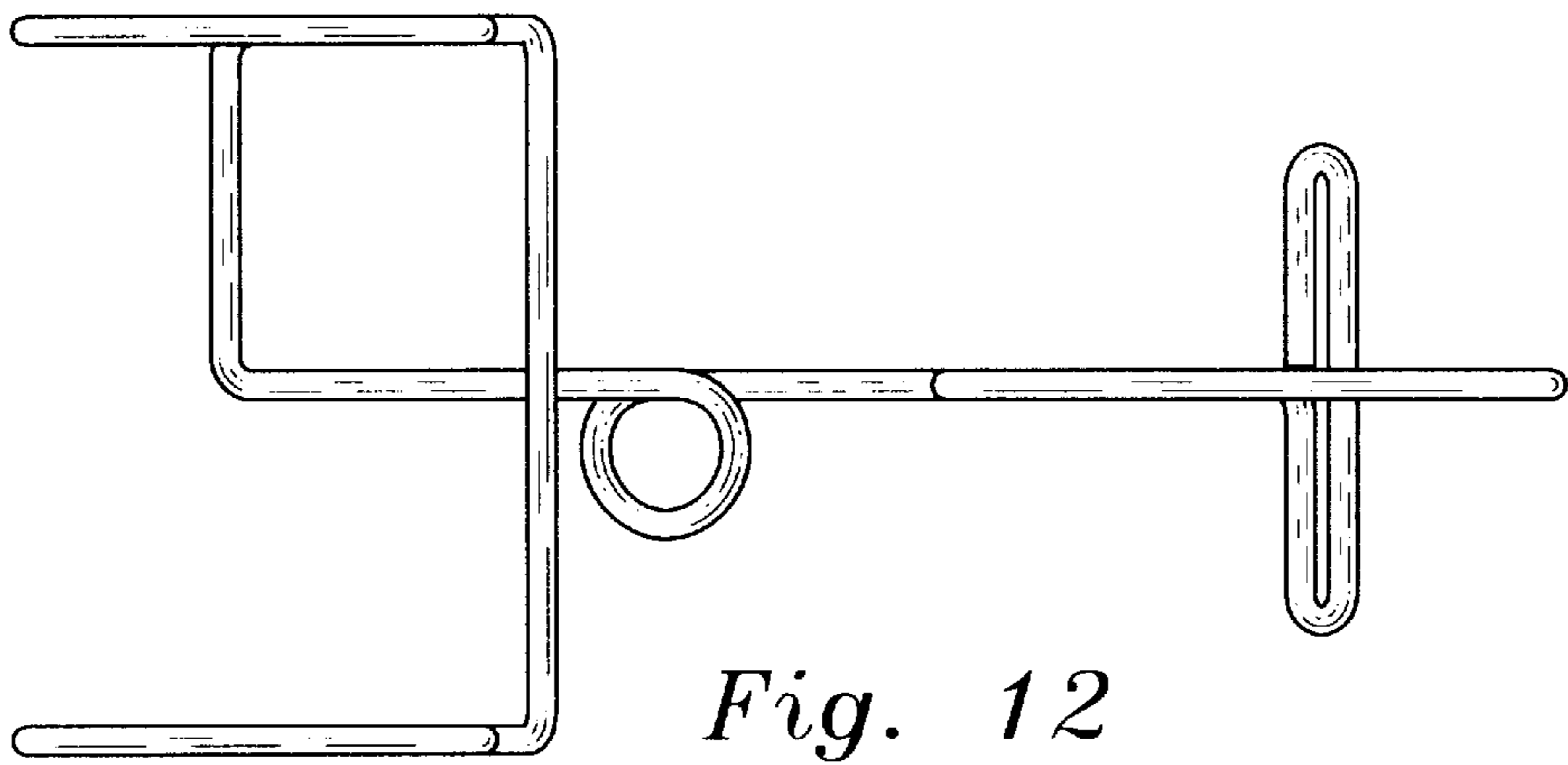


Fig. 12

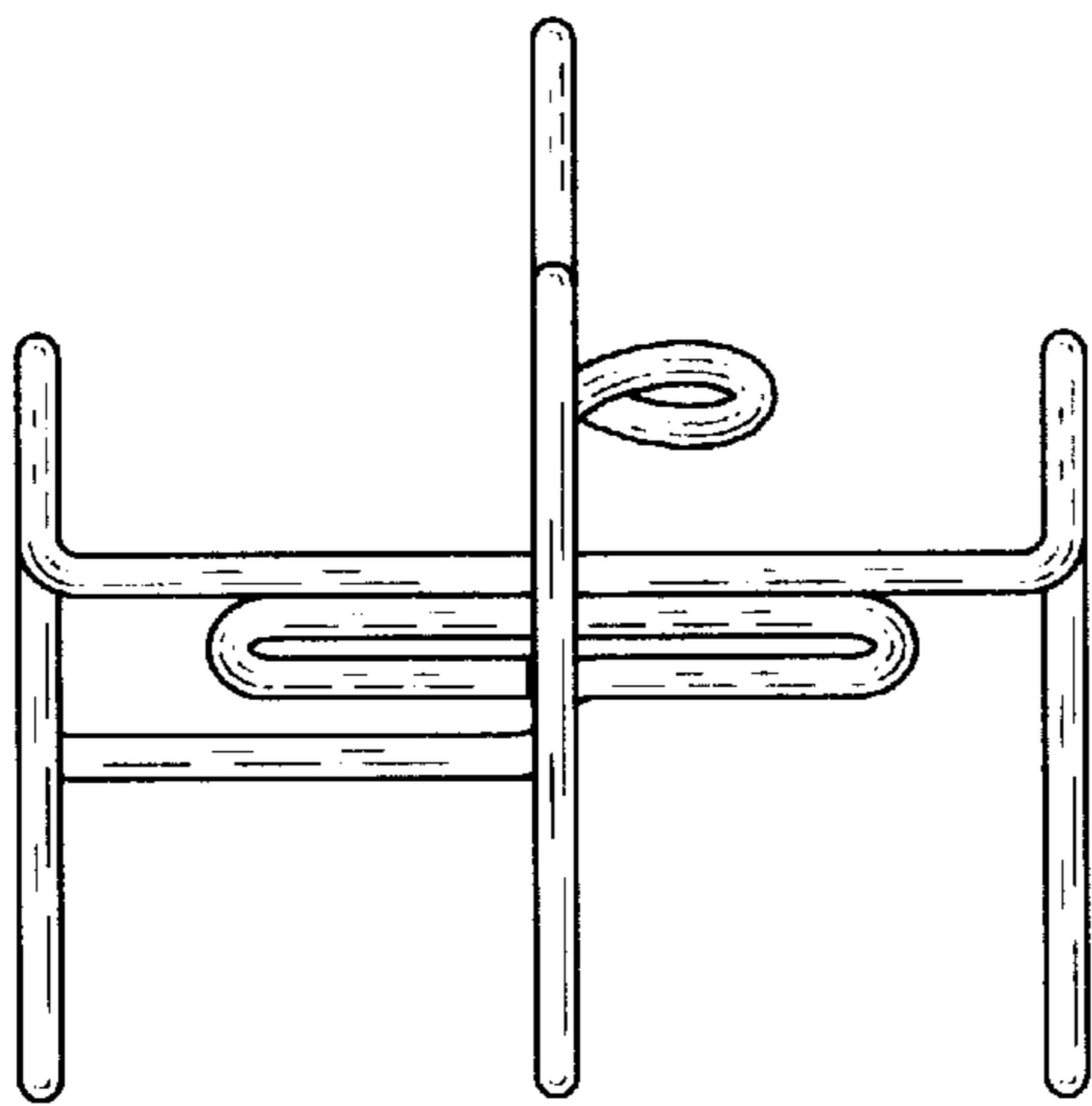


Fig. 13

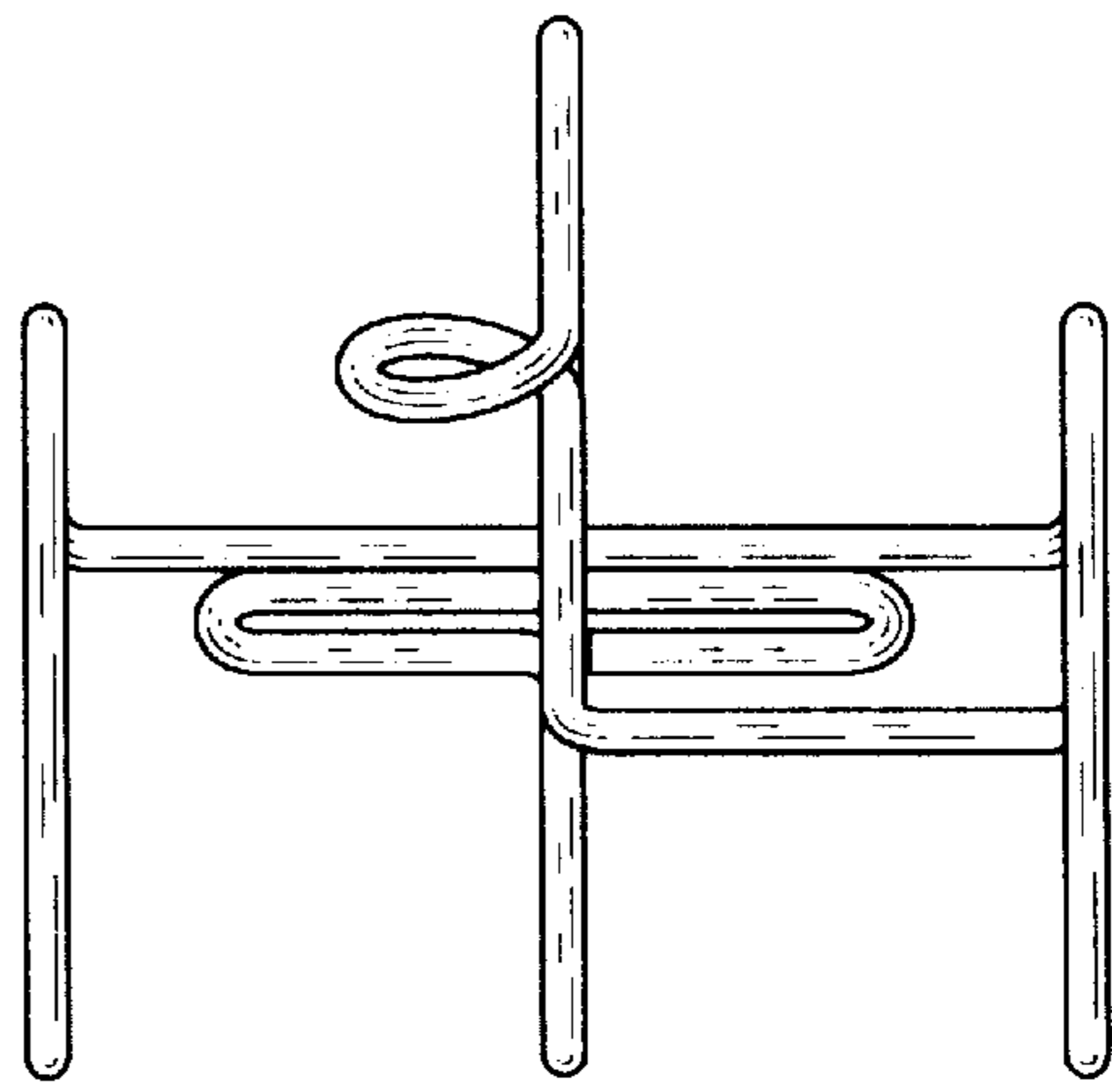


Fig. 14

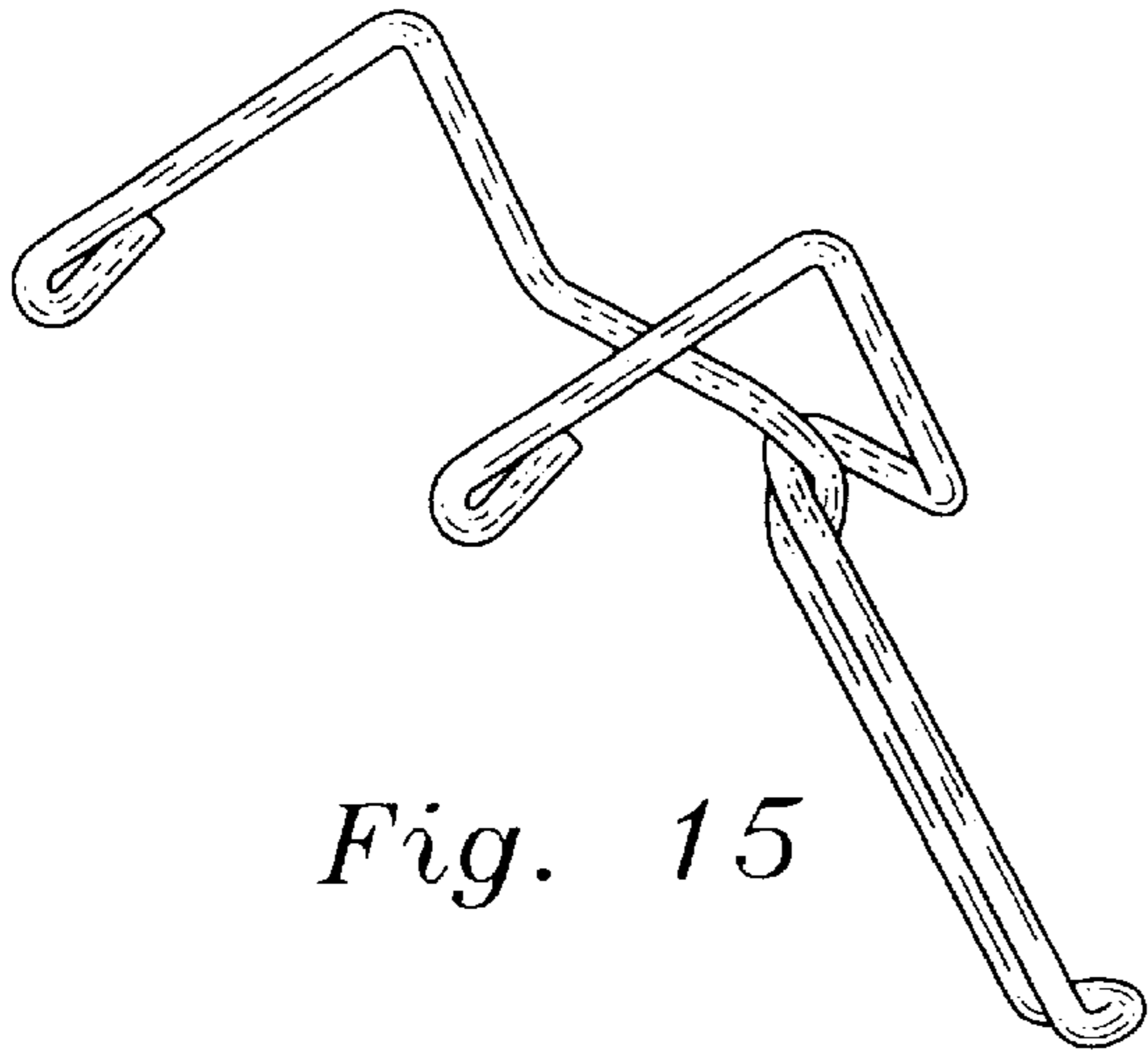


Fig. 15

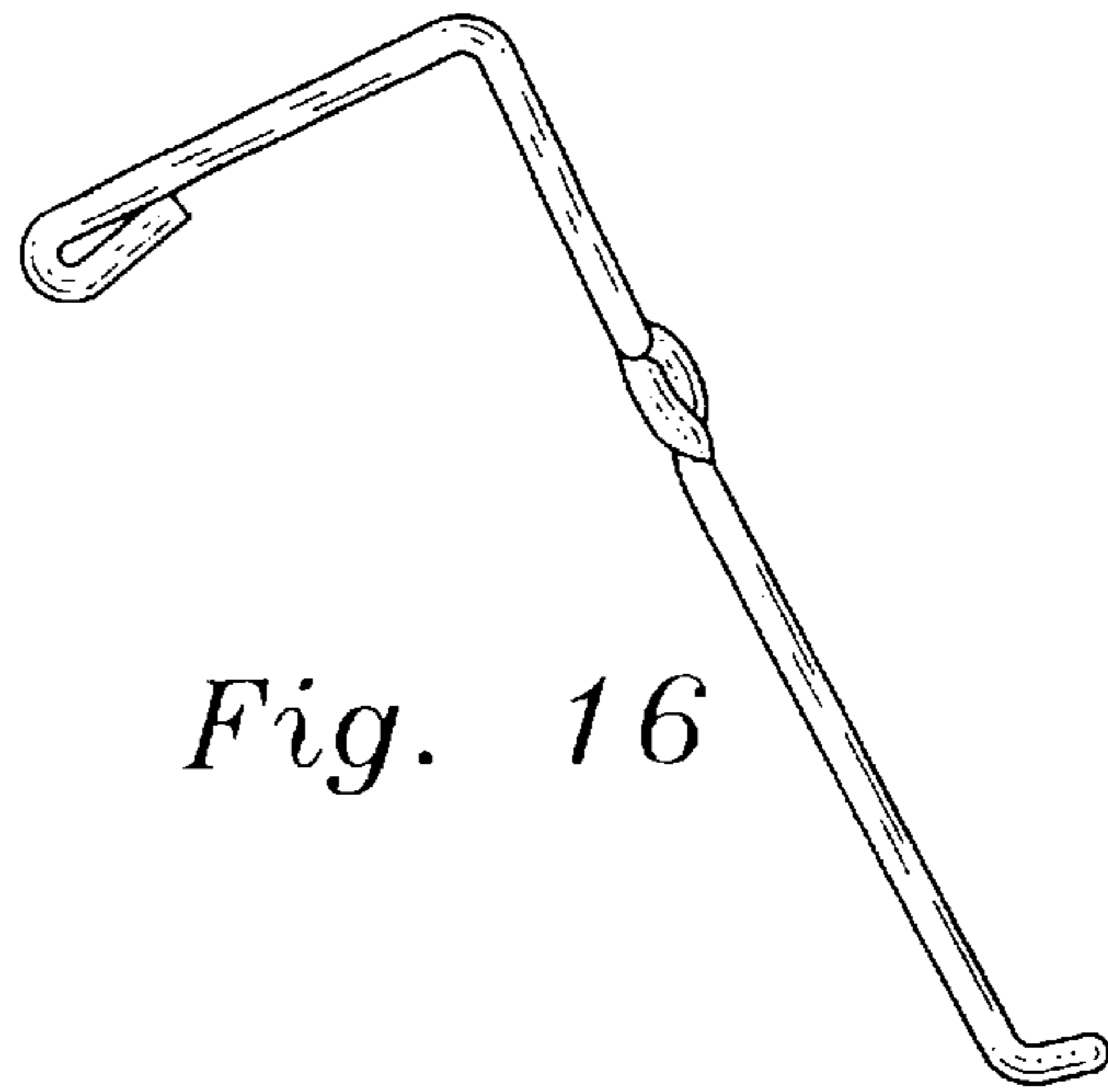


Fig. 16

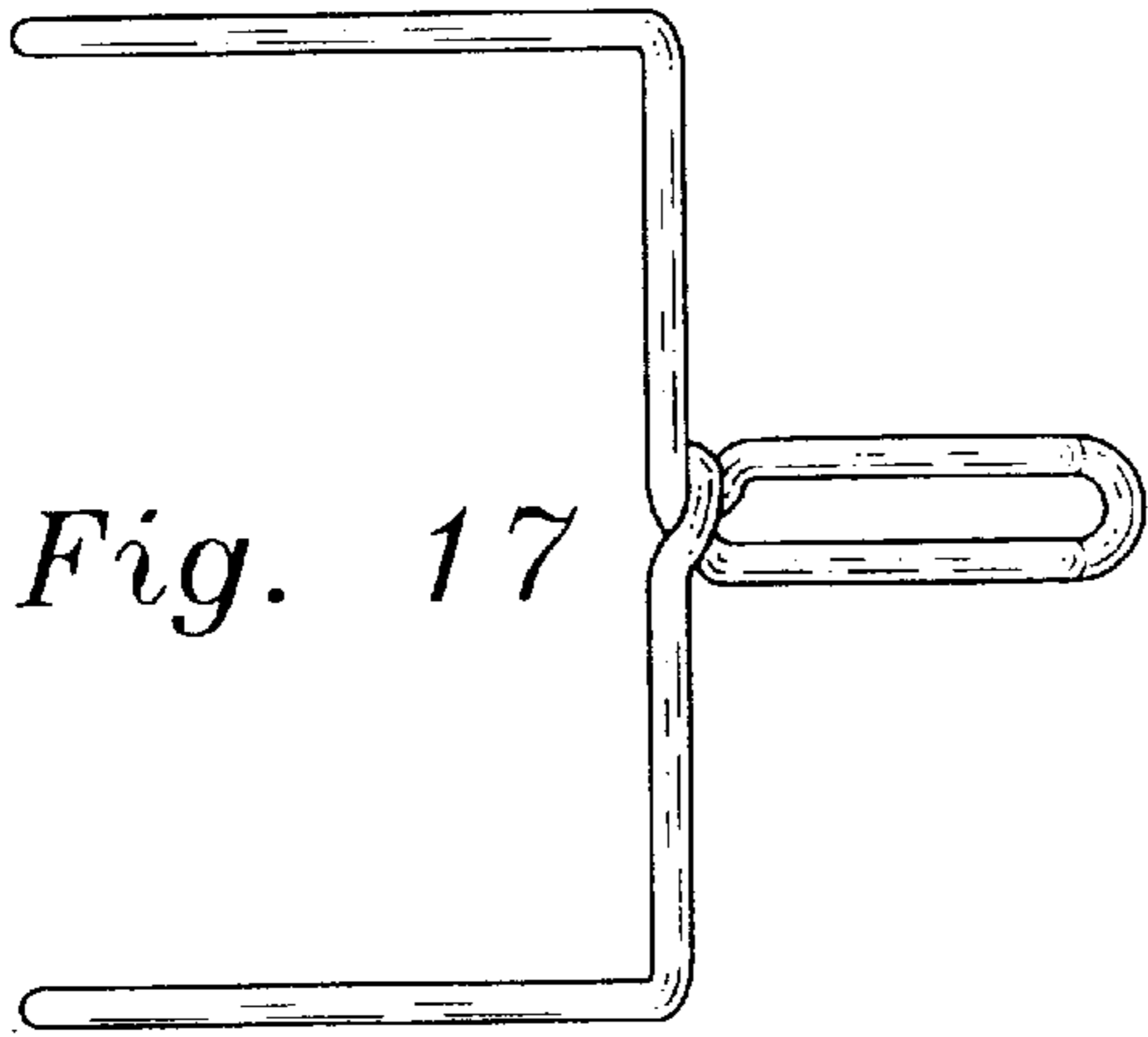


Fig. 17

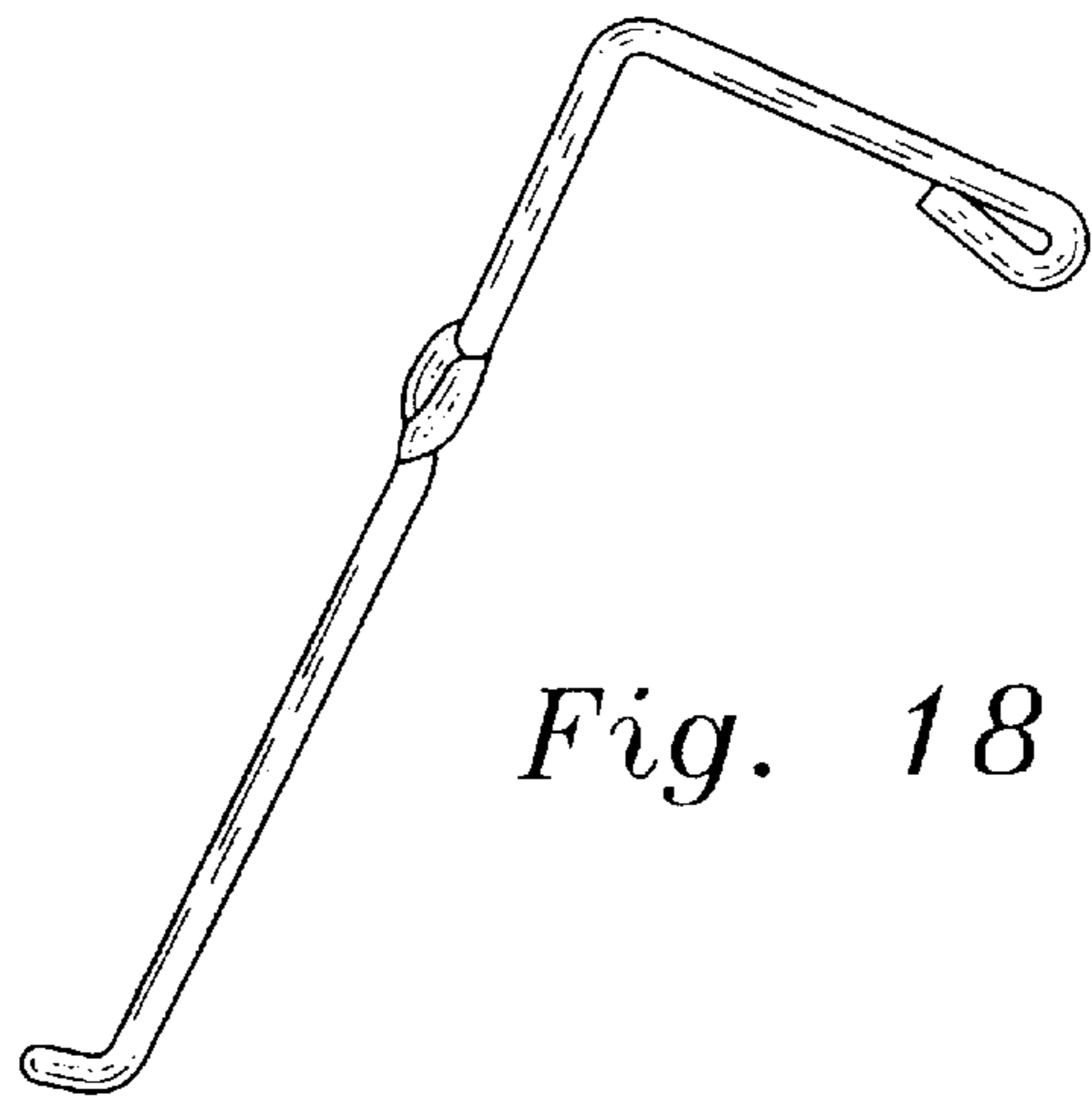


Fig. 18

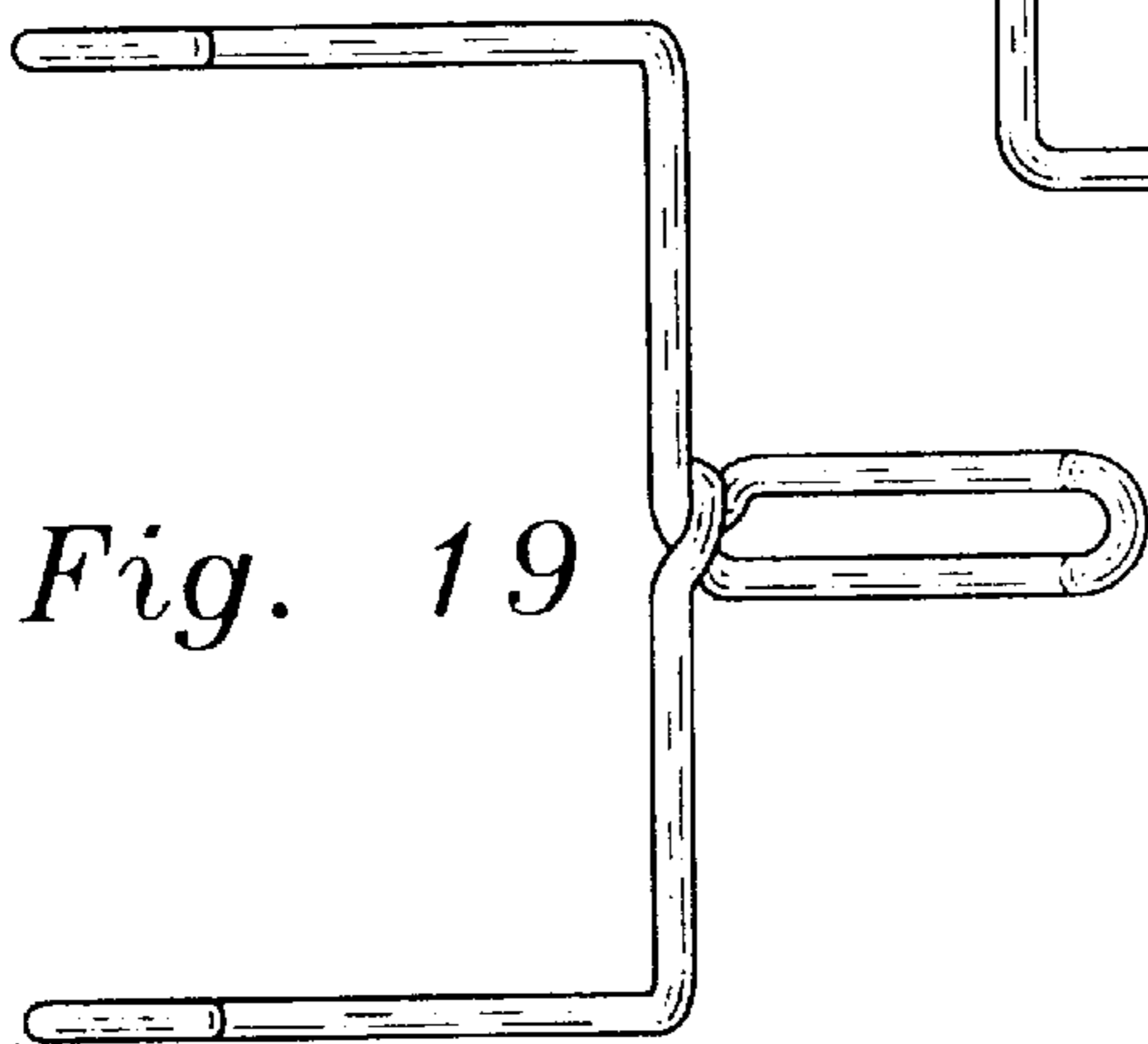


Fig. 19

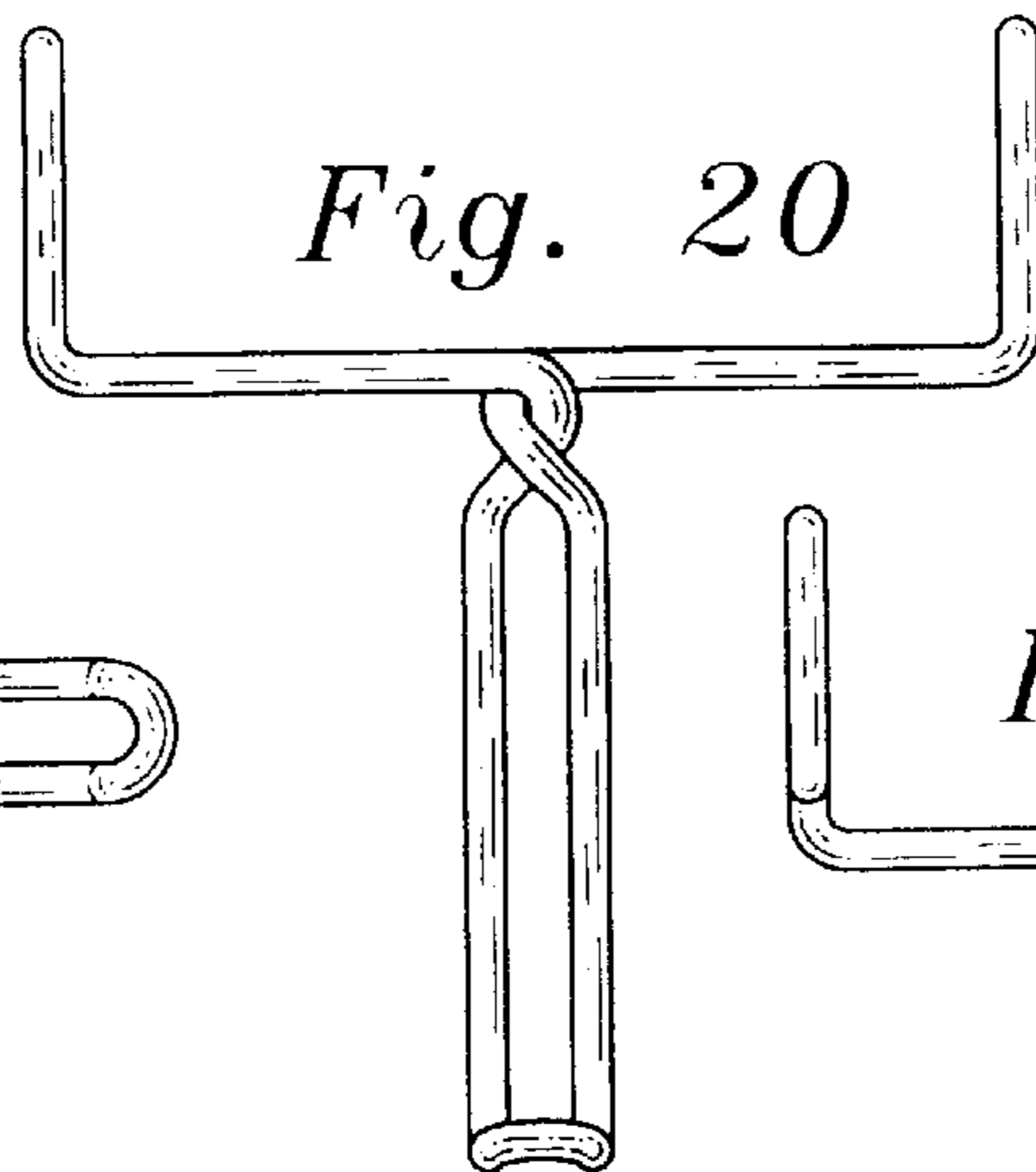


Fig. 20

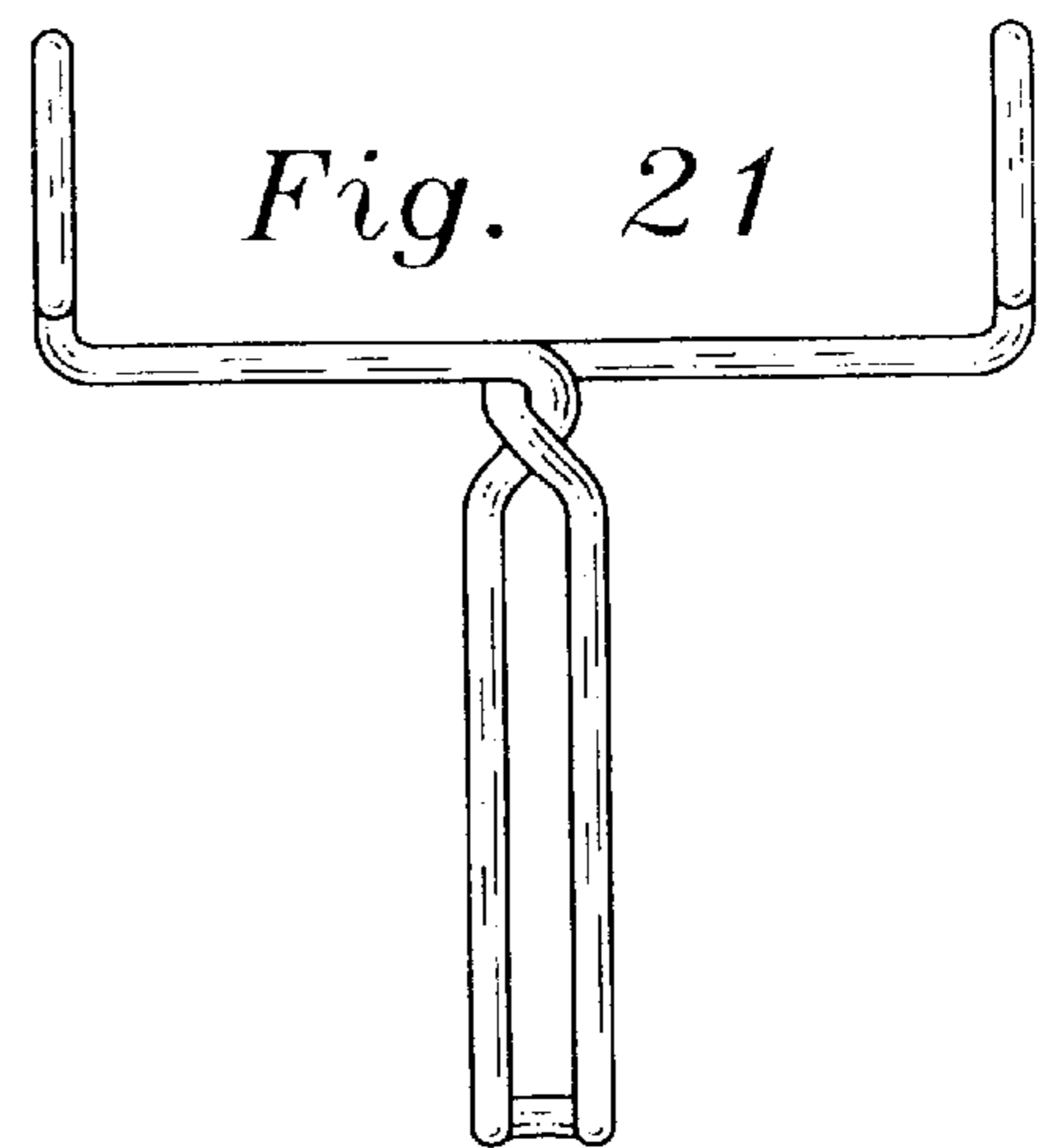


Fig. 21