



US00D402328S

# United States Patent [19]

Ashida

[11] Patent Number: **Des. 402,328**

[45] Date of Patent: **\*\*Dec. 8, 1998**

[54] **MAGNETIC DISK DRIVE FOR GAME MACHINE**

[75] Inventor: **Kenichiro Ashida**, Kyoto, Japan

[73] Assignee: **Nintendo Co., Ltd.**, Japan

[\*\*] Term: **14 Years**

[21] Appl. No.: **81,837**

[22] Filed: **Oct. 16, 1997**

### Related U.S. Application Data

[62] Division of Ser. No. 60,489, Sep. 30, 1996, Pat. No. Des. 393,013.

[51] **LOC (6) Cl.** ..... **21-01**

[52] **U.S. Cl.** ..... **D21/332**

[58] **Field of Search** ..... D21/1, 13, 48, D21/324, 332, 333; 273/148 B; 463/30-35, 40-47, 1; D14/124, 125, 114, 217

### [56] References Cited

#### U.S. PATENT DOCUMENTS

- D. 349,520 8/1994 Iwakami ..... D21/48 X
- D. 363,744 10/1995 Hama ..... D21/13
- D. 366,039 1/1996 Bailey et al. .... D14/121

- D. 366,285 1/1996 Tada ..... D21/48
- D. 375,304 11/1996 Takahata et al. .... D21/48 X
- D. 376,795 12/1996 Ashida ..... D14/121
- D. 379,832 6/1997 Ashida ..... D21/48
- 5,161,803 11/1992 Ohara ..... 463/44
- 5,213,327 5/1993 Kitaue ..... 273/148 B

*Primary Examiner*—Prabhakar G. Deshmukh  
*Attorney, Agent, or Firm*—Nixon & Vanderhye P.C.

### [57] CLAIM

The ornamental design for a “magnetic disk drive for game machine”, as shown and described.

### DESCRIPTION

FIG. 1 is a front elevational view of a magnetic disk drive for game machine showing my new design;  
 FIG. 2 is a top plan view thereof;  
 FIG. 3 is a rear elevational view thereof;  
 FIG. 4 is a bottom plan view thereof;  
 FIG. 5 is a right side view thereof;  
 FIG. 6 is a left side view thereof;  
 FIG. 7 is a top, front, and right side perspective view thereof; and,  
 FIG. 8 is a bottom, rear, and left side perspective view thereof,

**1 Claim, 5 Drawing Sheets**

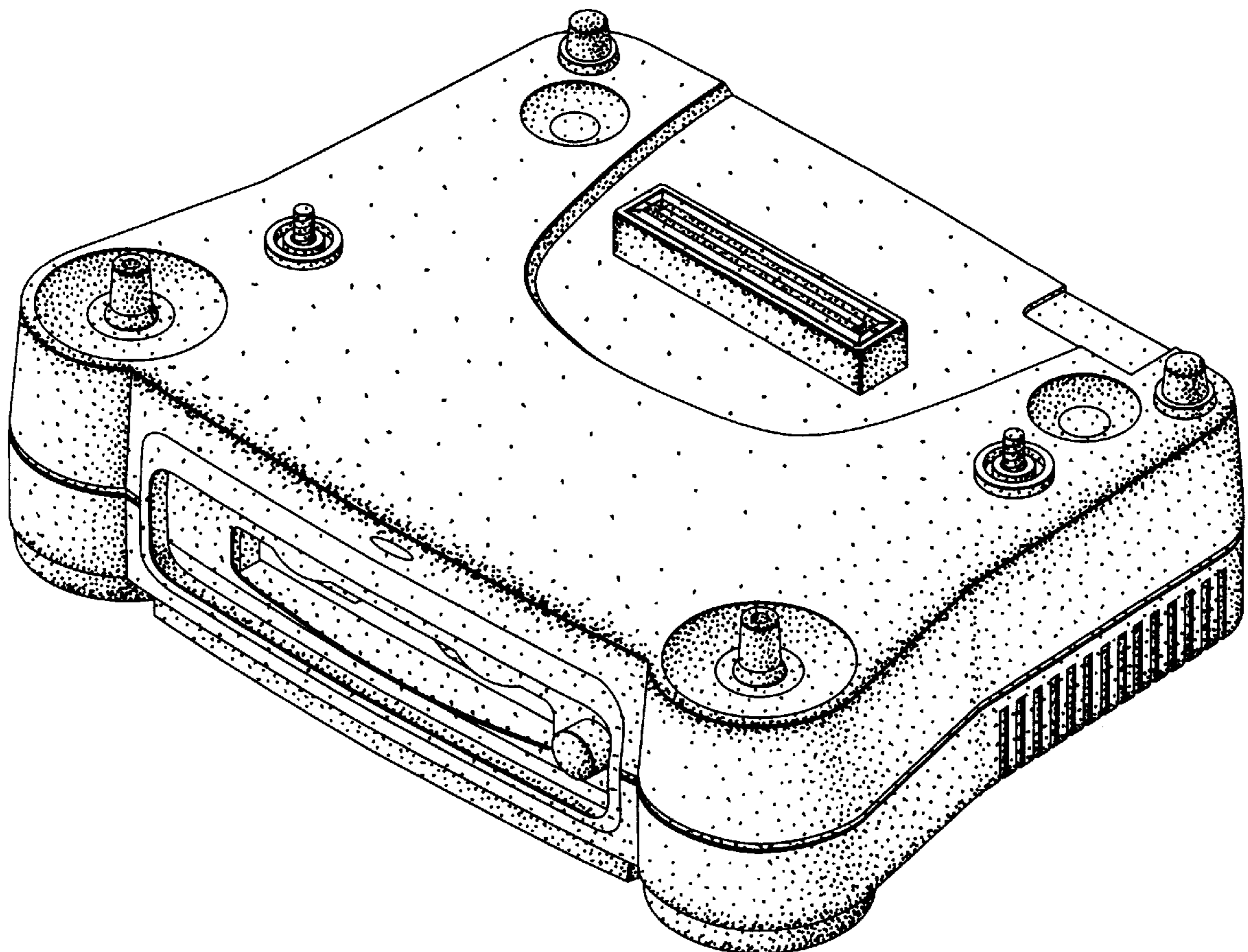


FIG. 1

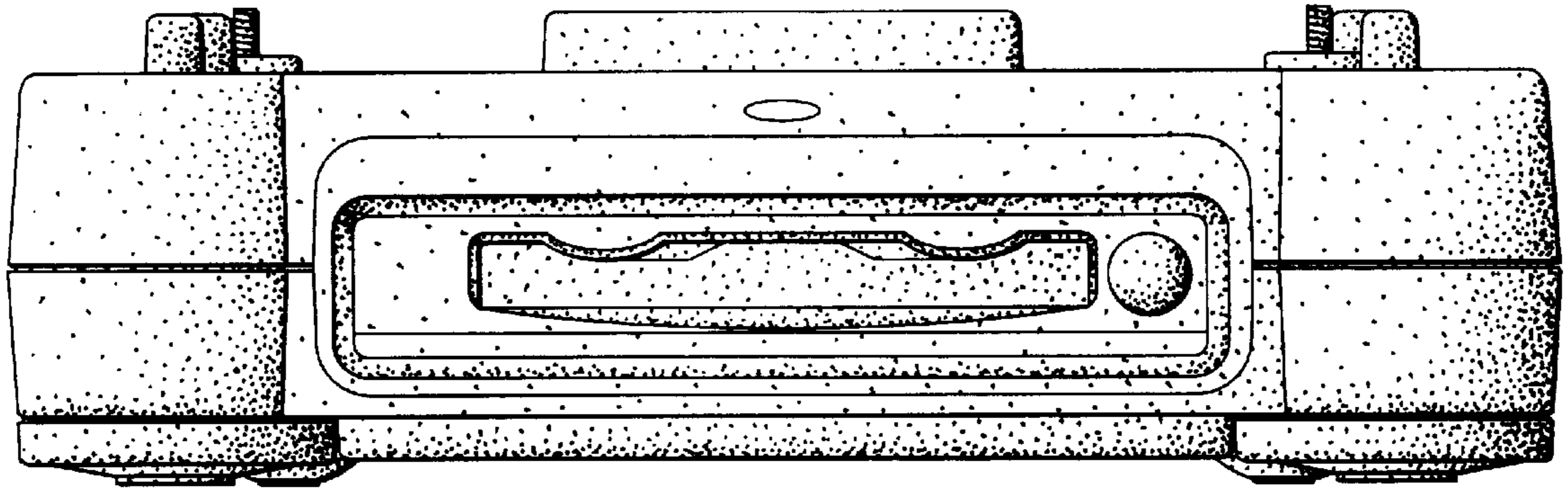


FIG. 2

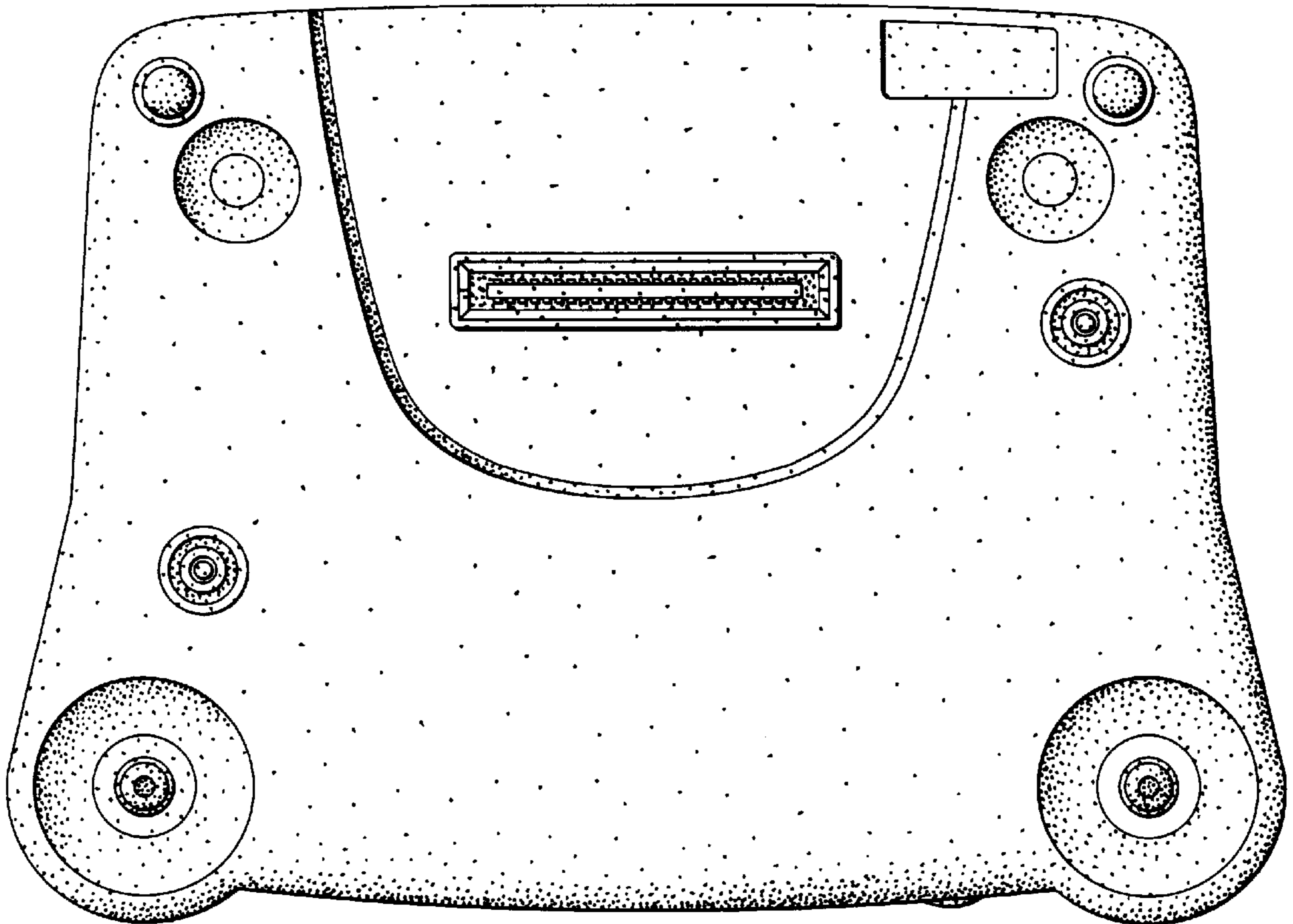


FIG. 3

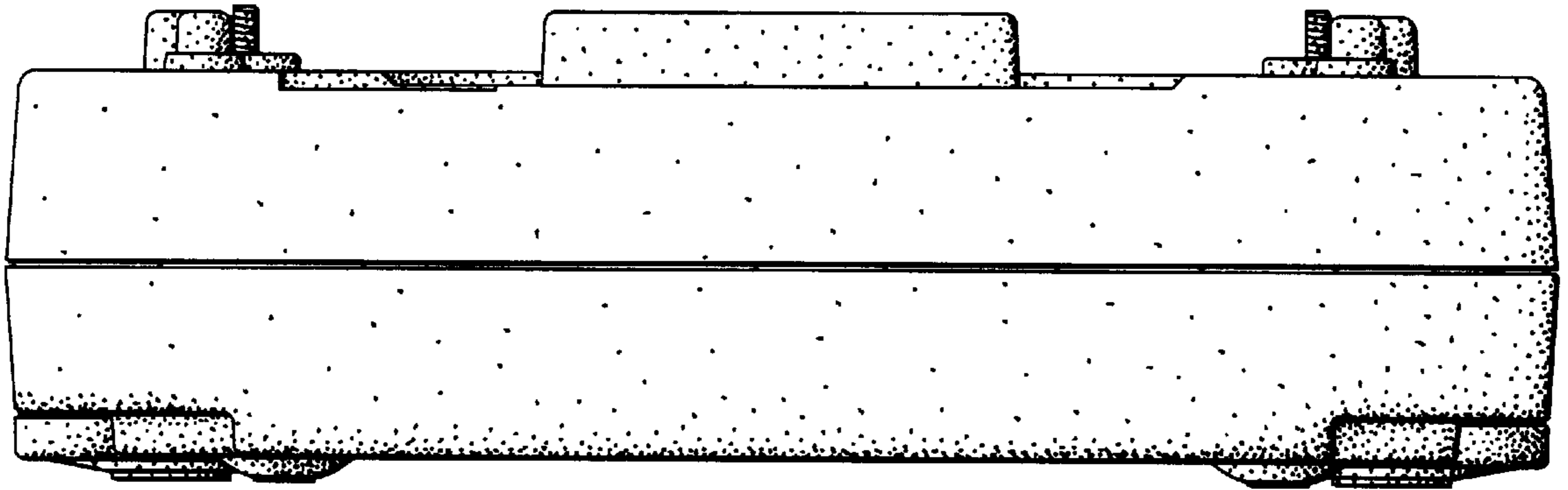


FIG. 4

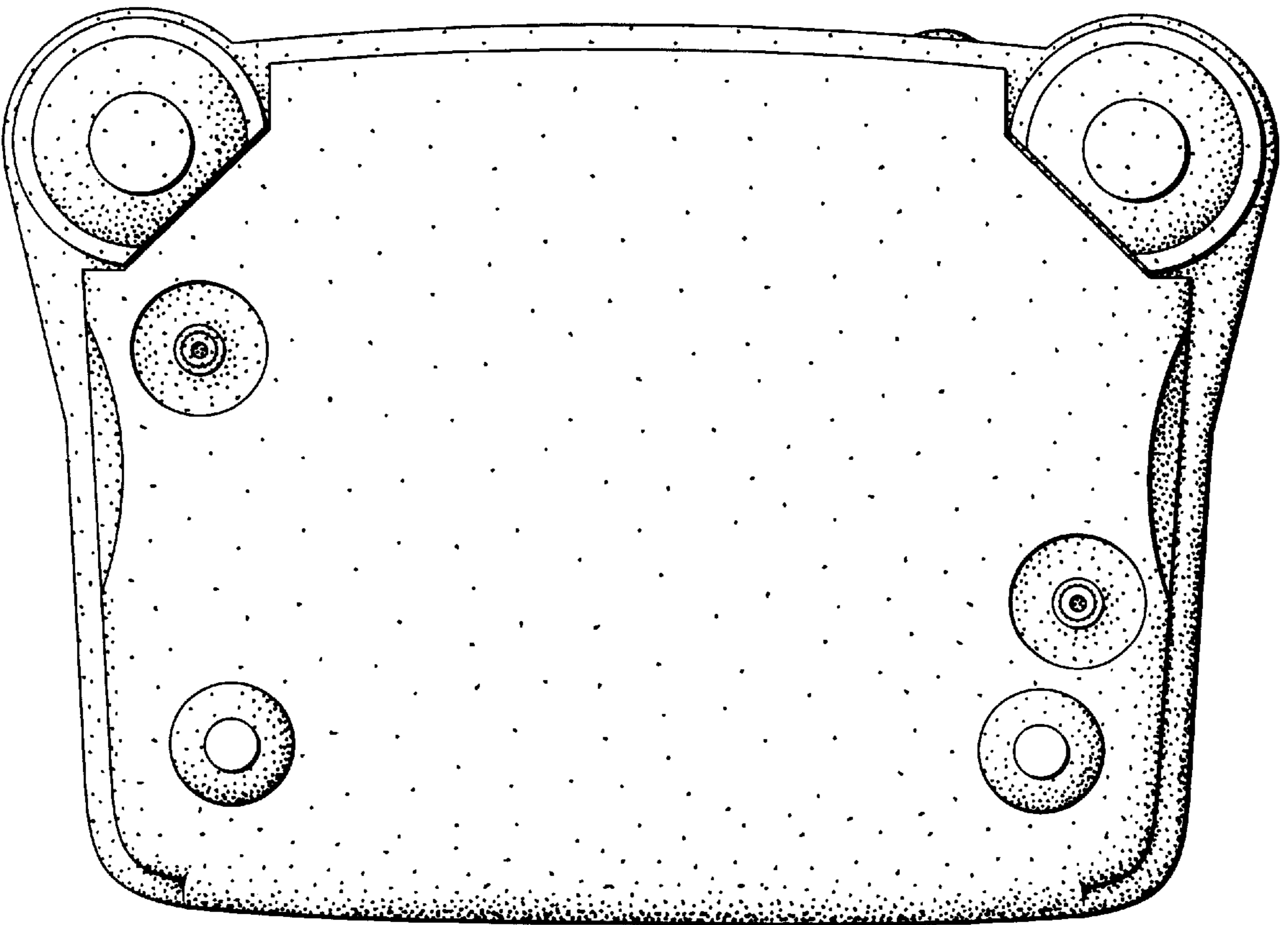


FIG. 5

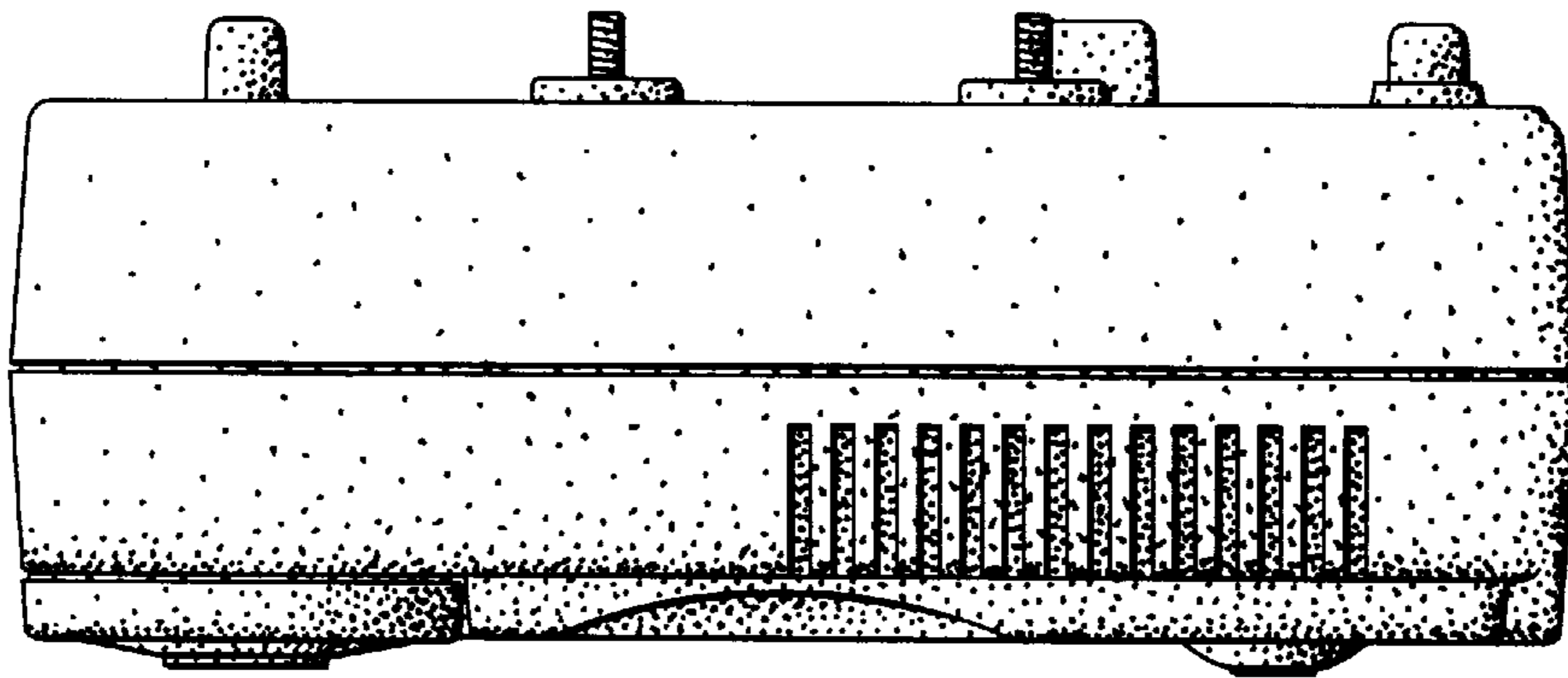


FIG. 6

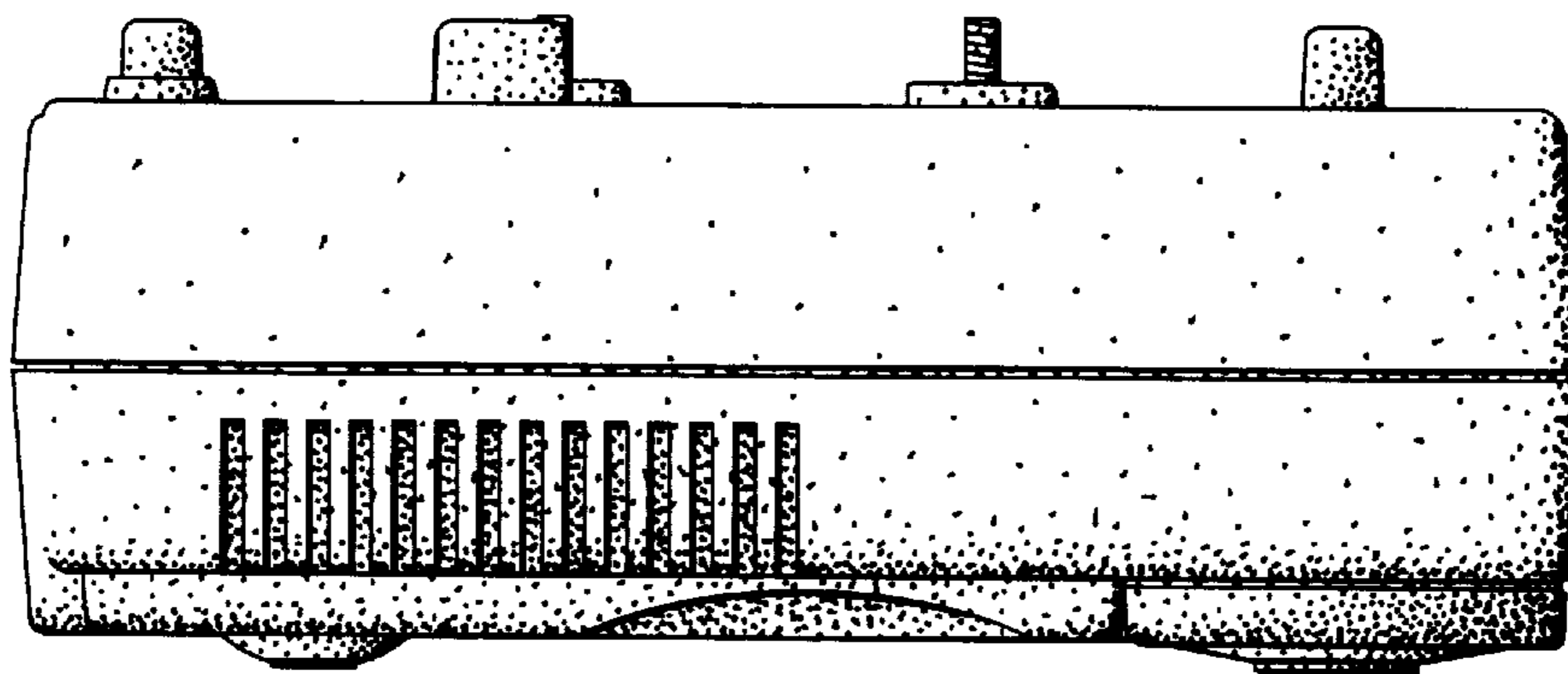


FIG. 7

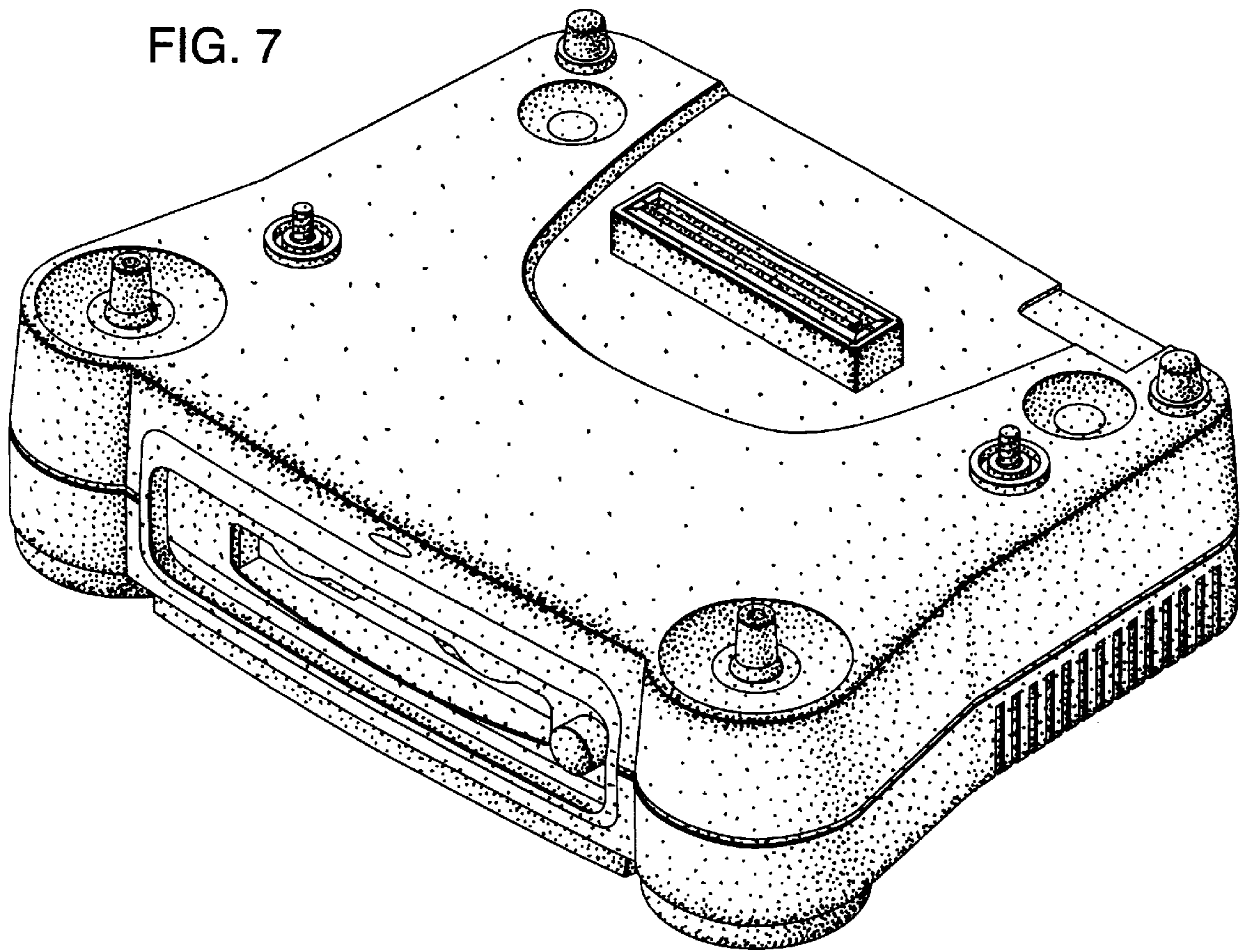


FIG. 8

