



US00D402326S

United States Patent [19]
Moore

[11] **Patent Number: Des. 402,326**

[45] **Date of Patent: **Dec. 8, 1998**

[54] **DOUBLE MEDALLION INSERT FOR A GOLF CLUB IRON**

Attorney, Agent, or Firm—Watson Cole Grindle Watson, P.L.L.C.

[76] Inventor: **James T. Moore**, 1024 Peninsula Dr., LaGrange, Ga. 30240

[57] **CLAIM**

[**] Term: **14 Years**

The ornamental design for a double medallion insert for a golf club iron, as shown and described.

[21] Appl. No.: **68,068**

DESCRIPTION

[22] Filed: **Feb. 27, 1997**

FIG. 1 is an front elevation of a new and ornamental design of a double medallion insert for a golf club iron according to the invention;

[51] **LOC (6) Cl.** **21-02**

[52] **U.S. Cl.** **D21/221**

FIG. 2 is an rear elevation of the double medallion insert for a golf club iron shown in FIG. 1;

[58] **Field of Search** D21/220, 221; 473/350, 324

FIG. 3 is a top view of the double medallion insert for a golf club iron shown in FIG. 1;

[56] **References Cited**

U.S. PATENT DOCUMENTS

D. 362,041	9/1995	Takahashi et al.	D21/220
D. 362,481	9/1995	Takahashi et al.	D21/220
D. 371,589	7/1996	Fortini	D21/221
D. 372,285	7/1996	Fortini	D21/221
D. 372,286	7/1996	Fortini	D21/221
D. 383,819	9/1997	Takahashi et al.	D21/220

FIG. 4 is a bottom view of the double medallion insert for a golf club iron shown in FIG. 1;

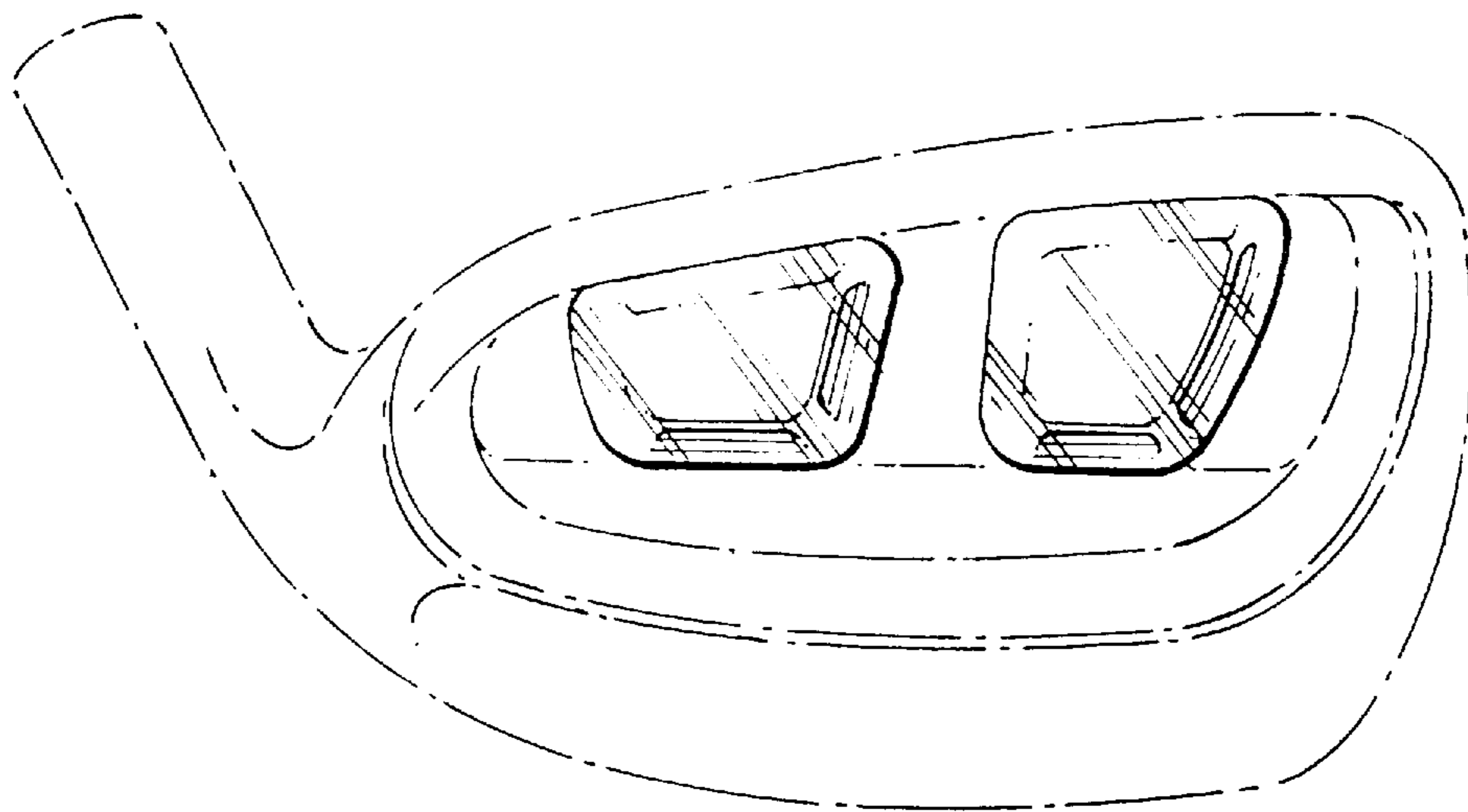
FIG. 5 is an end view of the double medallion insert for a golf club iron taken from the left in FIG. 1; and,

FIG. 6 is an end view of the double medallion insert for a golf club iron taken from the right in FIG. 1.

The broken line showing of golf club head is for illustrative purposes only and forms no part of the claimed design.

Primary Examiner—Sandra L. Morris
Assistant Examiner—Mitchell I. Siegel

1 Claim, 1 Drawing Sheet



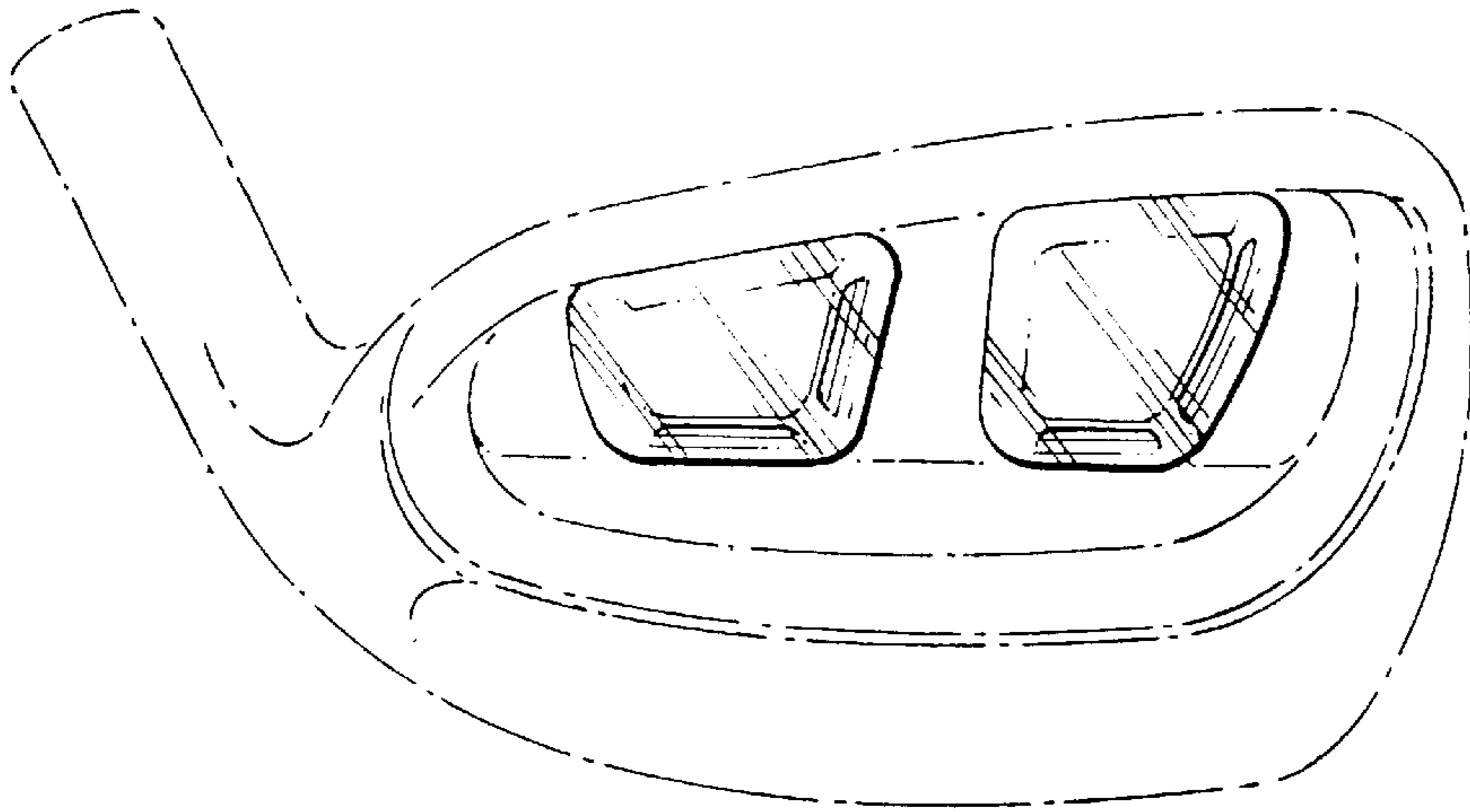


FIG. 1

FIG. 2

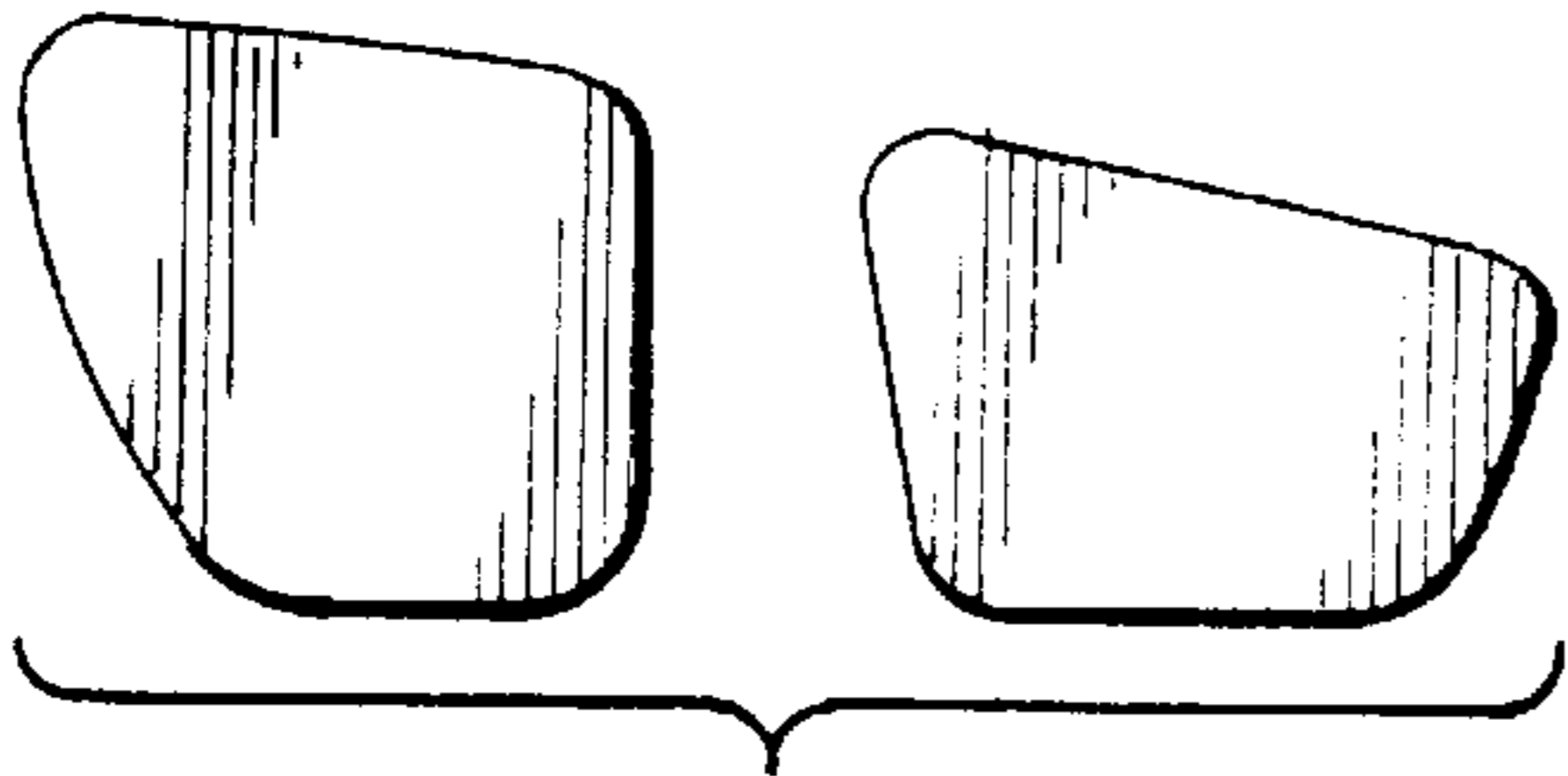


FIG. 3



FIG. 4



FIG. 5

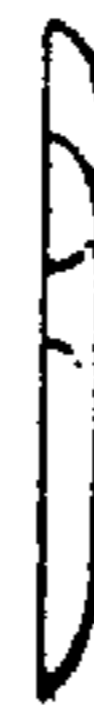


FIG. 6

