



US00D402324S

United States Patent [19]

Sherlock et al.

[11] Patent Number: Des. 402,324

[45] Date of Patent: **Dec. 8, 1998

[54] BALL PITCHING MACHINE

[75] Inventors: Sue M. Sherlock, Jefferson; Neal C. Squibb, Scranton, both of Iowa

[73] Assignee: American Sports International, Ltd., Jefferson, Iowa

[**] Term: 14 Years

[21] Appl. No.: 78,351

[22] Filed: Oct. 13, 1997

[51] LOC (6) Cl. 21-02

[52] U.S. Cl. D21/210

[58] Field of Search D21/210; 273/317.7, 273/260

[56] References Cited

U.S. PATENT DOCUMENTS

- D. 260,024 7/1981 Saito et al. D21/210
- D. 278,841 5/1985 Giovagnoli D21/210
- D. 312,288 11/1990 Jefferson D21/210

- D. 335,514 5/1993 Ramirez D21/210
- D. 356,842 3/1995 Trapp D21/210
- 2,806,461 9/1957 Giovagnoli D21/210 X
- 4,197,827 4/1980 Smith 124/78
- 5,437,261 8/1995 Paulson et al. .

Primary Examiner—Ted Shooman
Assistant Examiner—Mitchell I. Siegel
Attorney, Agent, or Firm—Zarley, McKee, Thomte, Voorhees, & Sease

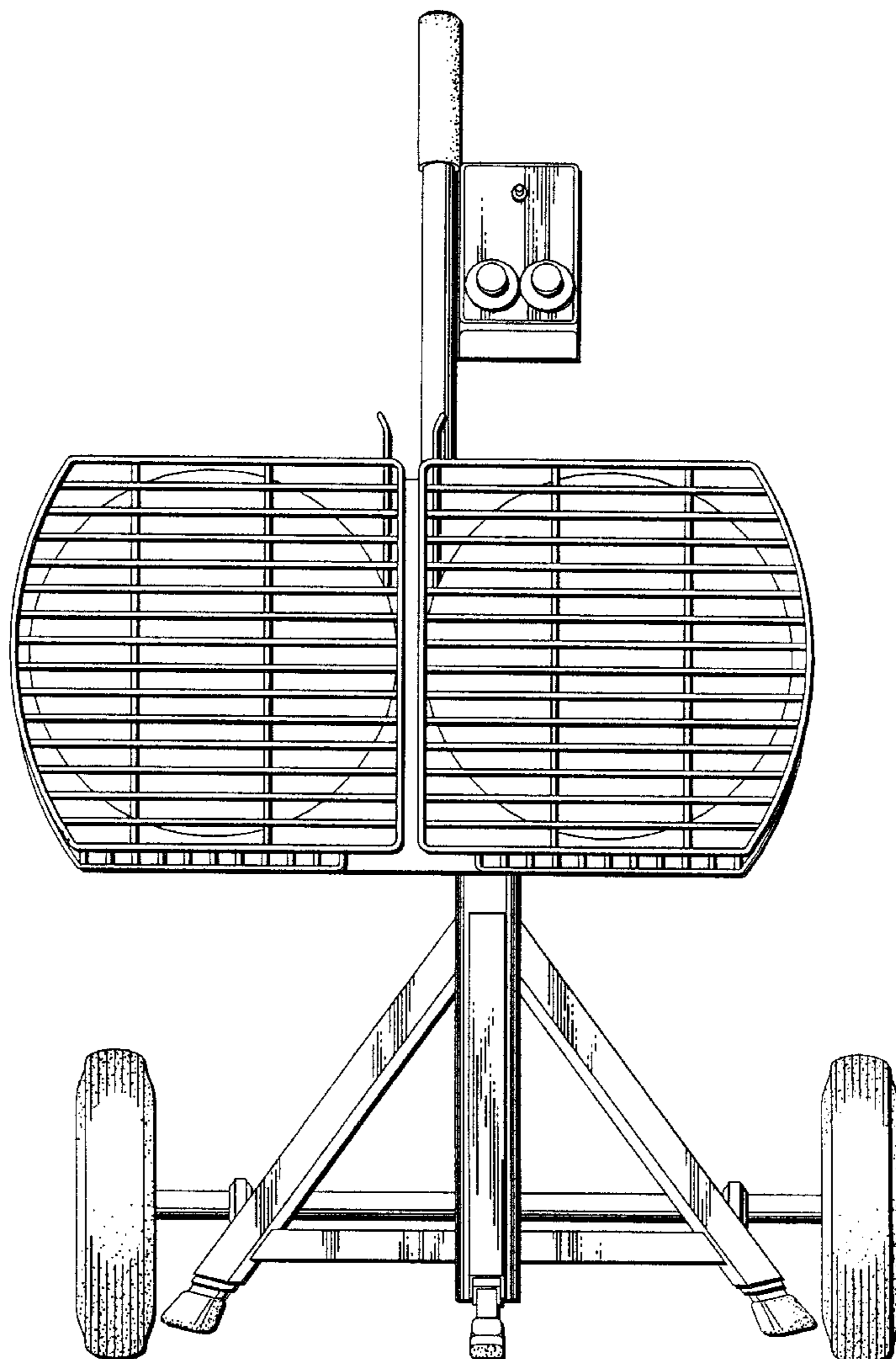
[57] CLAIM

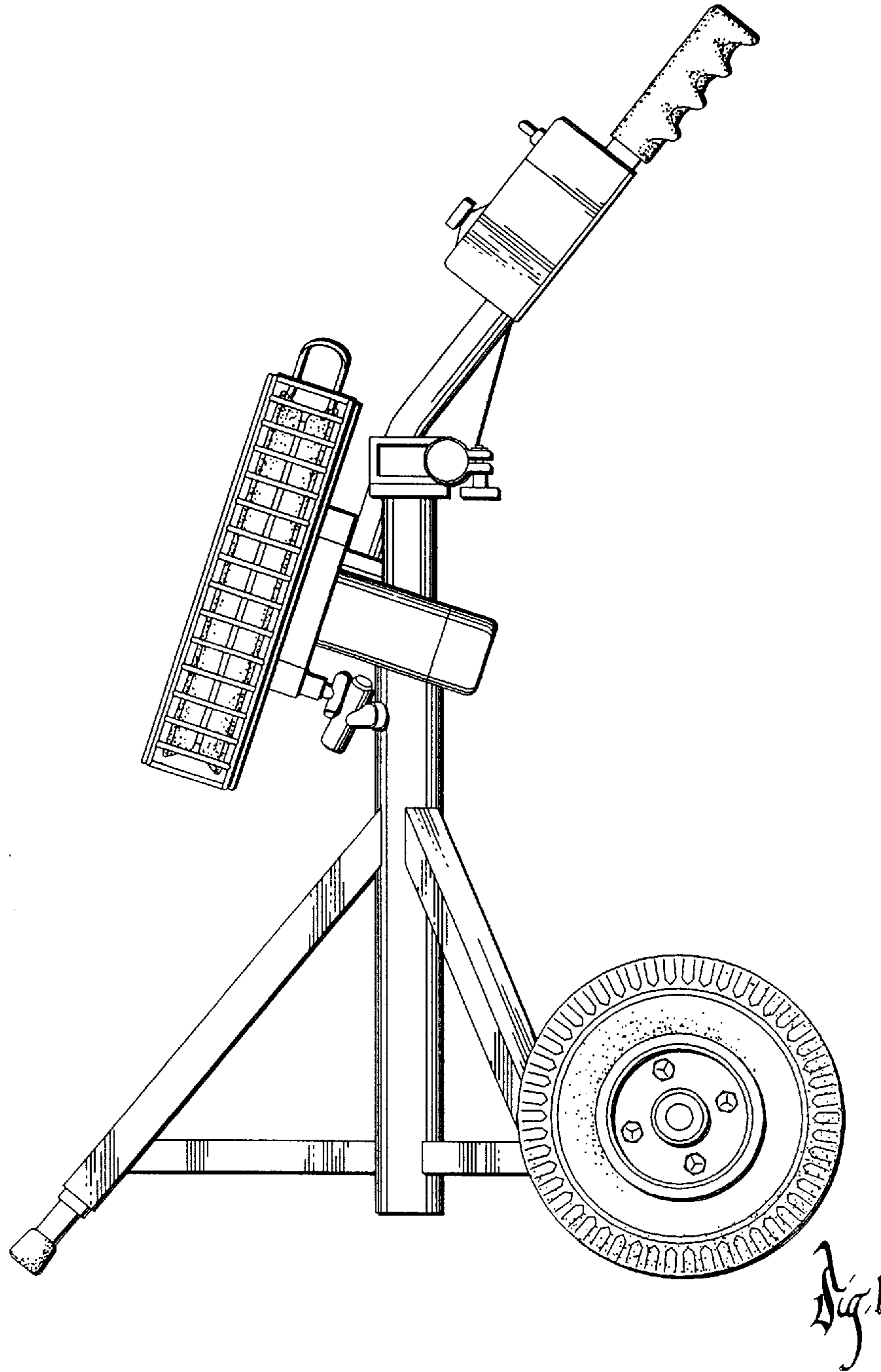
The ornamental design of a ball pitching machine, as shown.

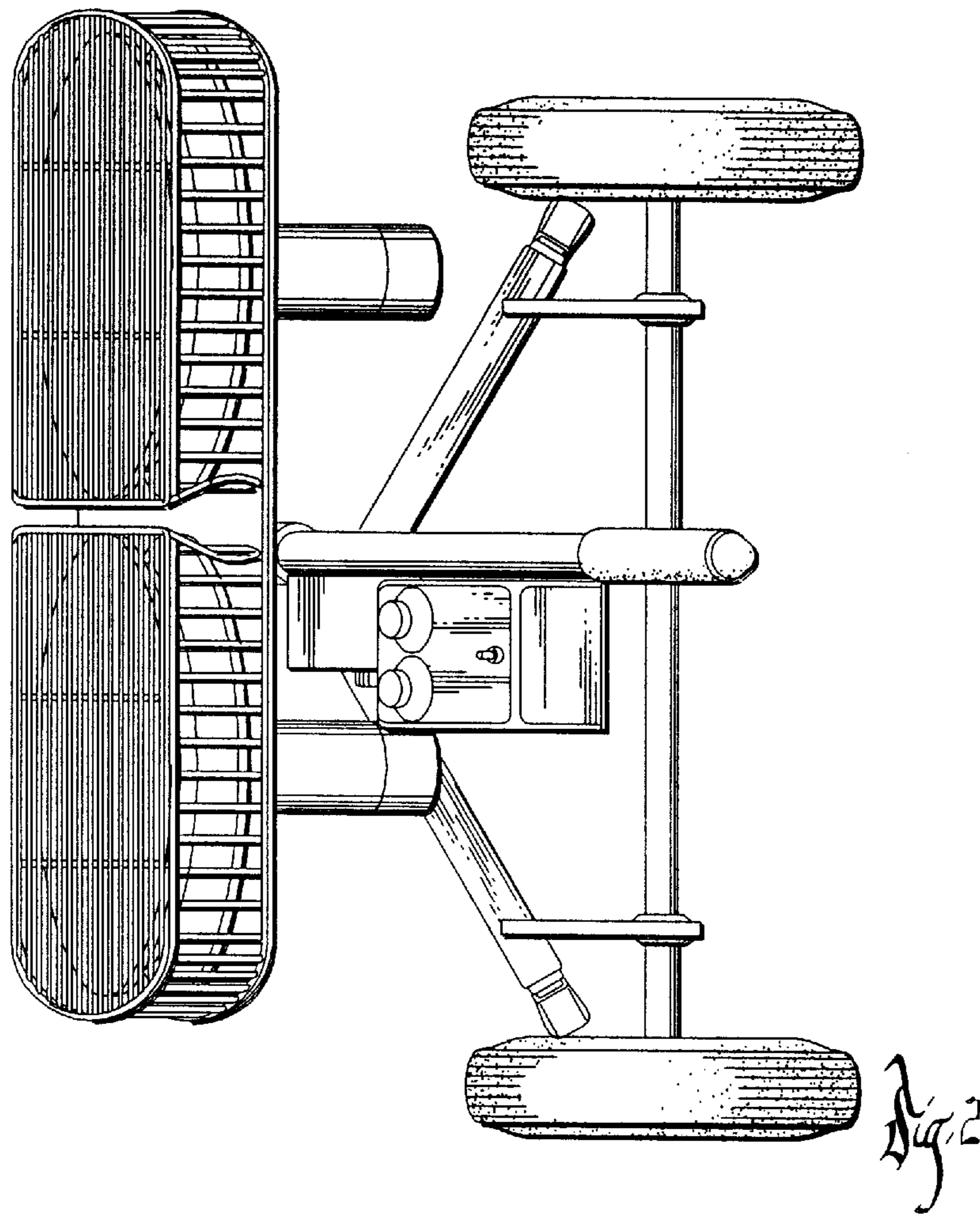
DESCRIPTION

FIG. 1 is a typical side elevational view of a ball pitching machine showing our new design; FIG. 2 is a top plan view thereof; FIG. 3 is a rear elevational view as seen from the left-hand side of FIG. 1; and, FIG. 4 is a front elevational view thereof as seen from the right-hand side of FIG. 1.

1 Claim, 4 Drawing Sheets







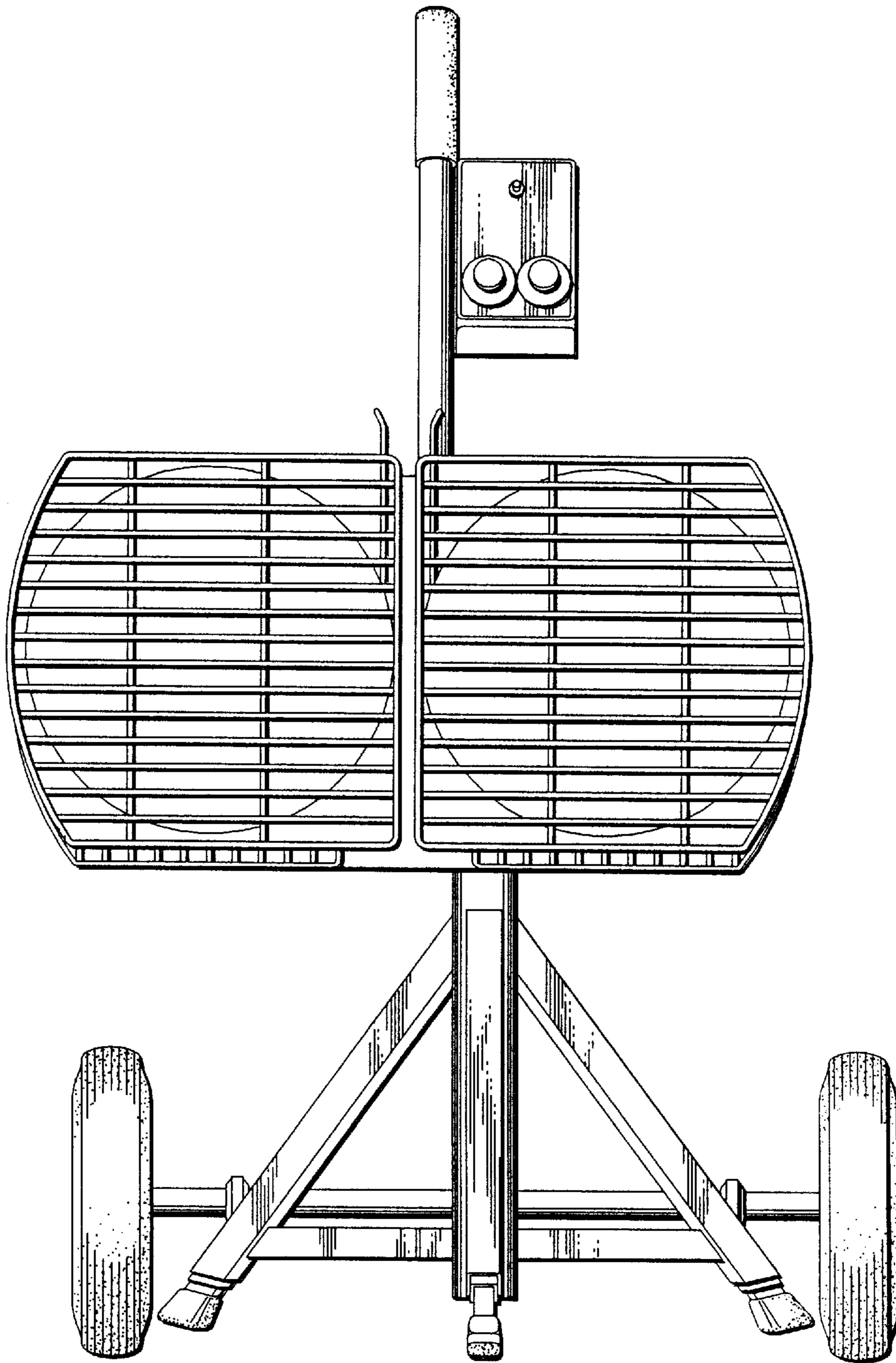


Fig. 3

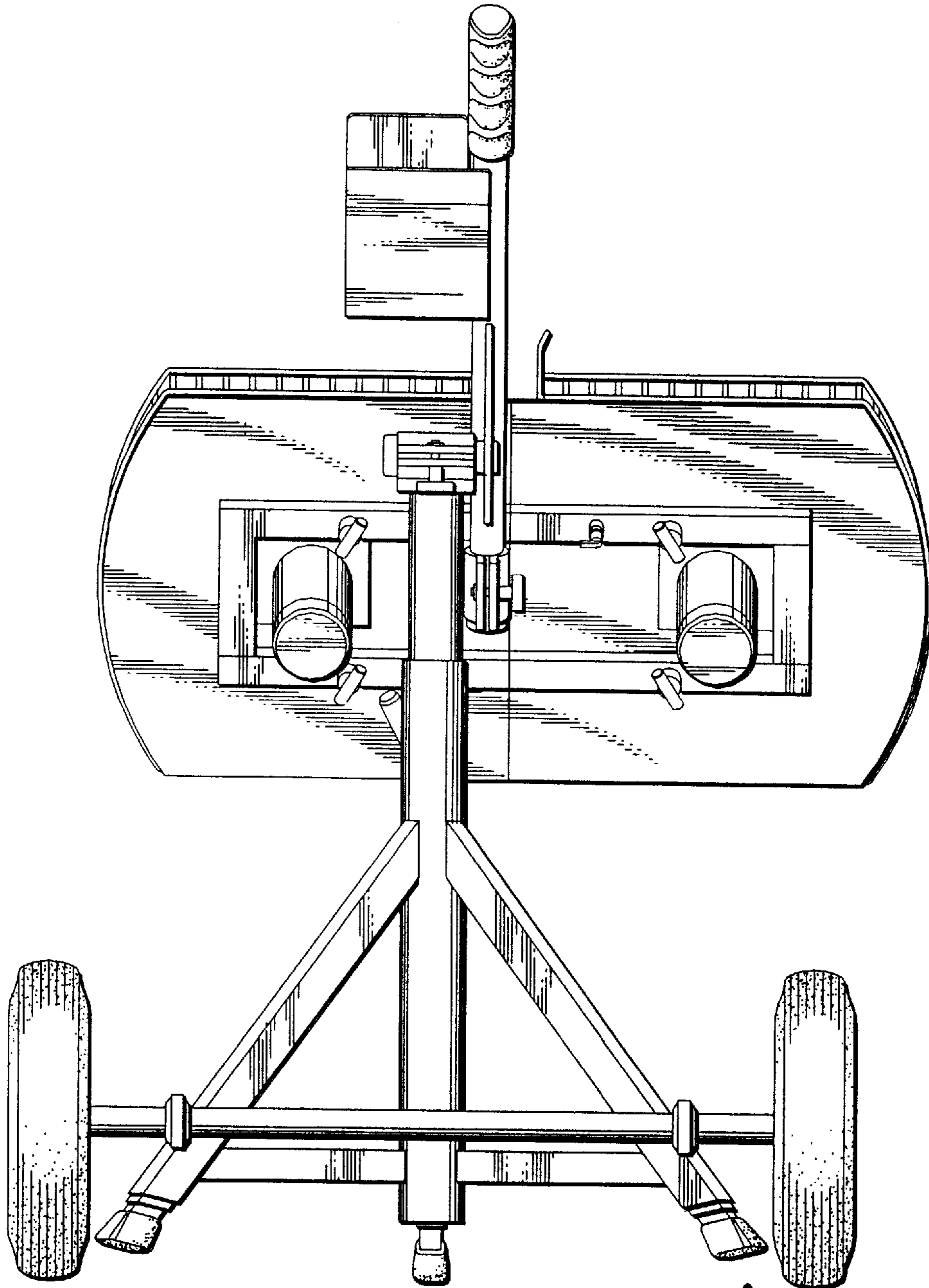


Fig. 4