



US00D402313S

# United States Patent [19] Tzeng

[11] Patent Number: **Des. 402,313**

[45] Date of Patent: **\*\*Dec. 8, 1998**

[54] **TOOL COMBINATION**

[76] Inventor: **Horng Guey Tzeng**, No. 26-1, Lane 375 Sec. 3, Tai Yuan Road, Taichung, Taiwan

[\*\*] Term: **14 Years**

[21] Appl. No.: **81,926**

[22] Filed: **Nov. 12, 1997**

[51] **LOC (6) Cl.** ..... **19-02**

[52] **U.S. Cl.** ..... **D19/65; D10/71; D8/105**

[58] **Field of Search** ..... D10/62, 70, 71, D10/72; D8/105; D19/65; D3/207, 208, 210; 7/118, 168, 119, 160, 163, 170, 138; 30/123, 452, 459; 15/105, 53

[56] **References Cited**

**U.S. PATENT DOCUMENTS**

175,680	4/1876	Ellis	15/105.53
D. 302,102	7/1989	Amagaya	D8/105
D. 308,462	6/1990	Komatsu	D8/105
D. 318,070	7/1991	Amagaya	D19/65
D. 321,637	11/1991	Chan	D8/105

D. 336,415	6/1993	Cheng	D8/105
D. 372,183	7/1996	Bourque	D10/62 X
503,794	8/1893	Holben	30/452
1,363,916	12/1920	Price	7/138 X
4,783,867	11/1988	Tsao	7/160
4,794,692	1/1989	Wang	30/123
5,511,262	4/1996	Horng	7/160

*Primary Examiner*—Martie K. Holtje

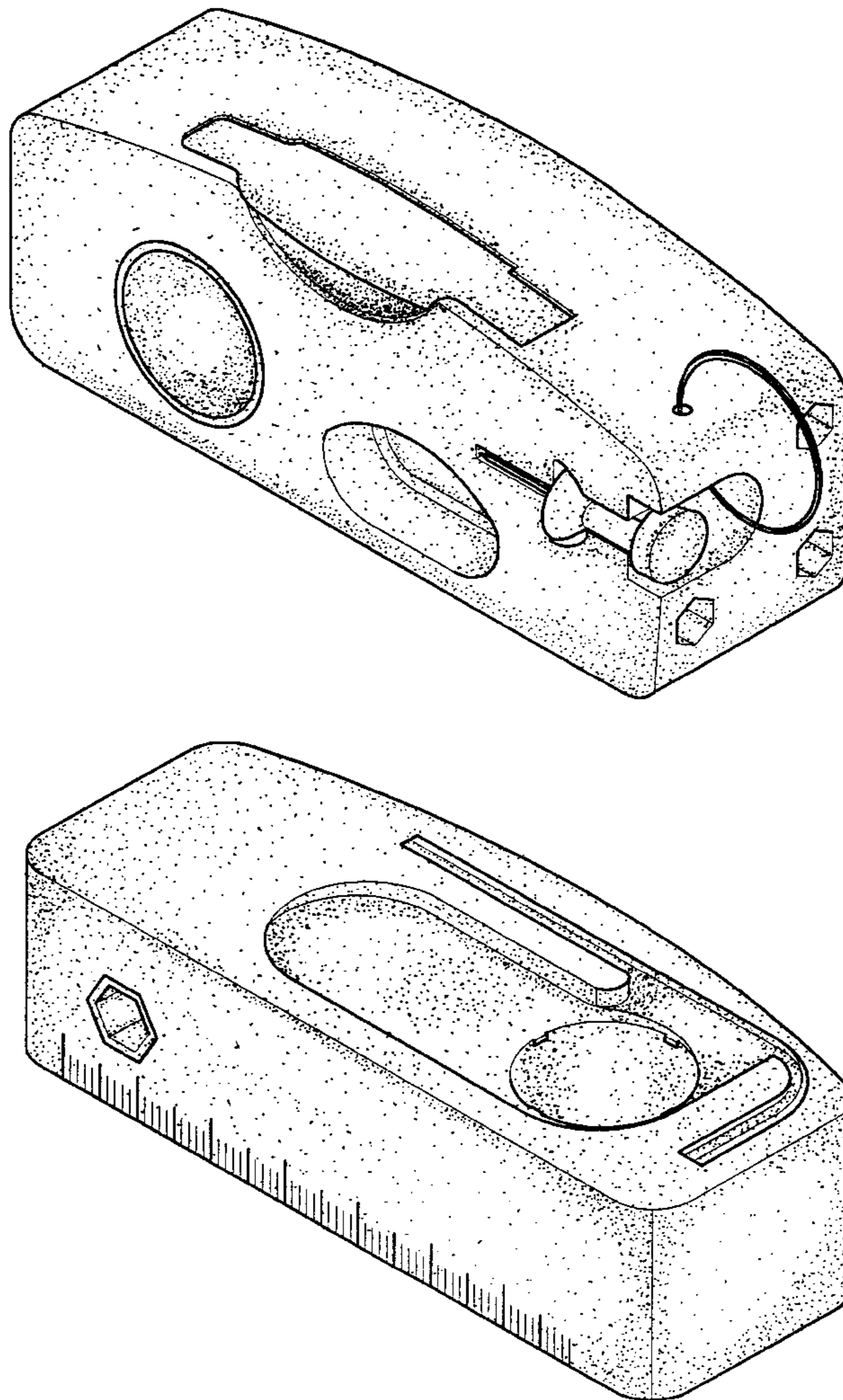
[57] **CLAIM**

The ornamental design for a tool combination, as shown and described.

**DESCRIPTION**

FIG. 1 is an upper perspective view of a tool combination showing my new design; FIG. 2 is a front elevational view thereof; FIG. 3 is a rear elevational view thereof; FIG. 4 is a top plan view thereof; FIG. 5 is a bottom plan view thereof; FIG. 6 is a left side elevational view thereof; FIG. 7 is a right side elevational view thereof; and, FIG. 8 is a bottom perspective view of the tool combination showing my new design.

**1 Claim, 4 Drawing Sheets**



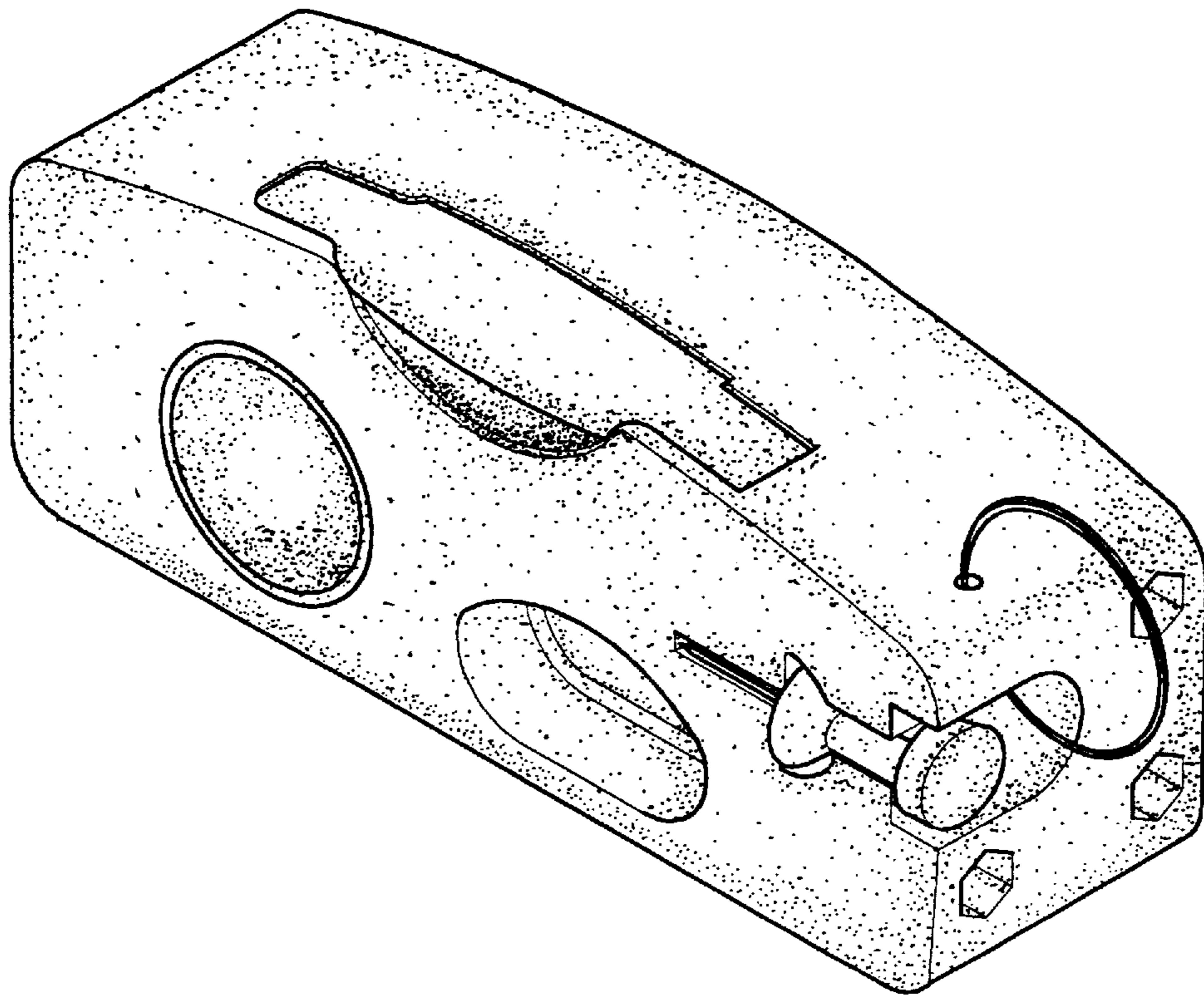


FIG. 1

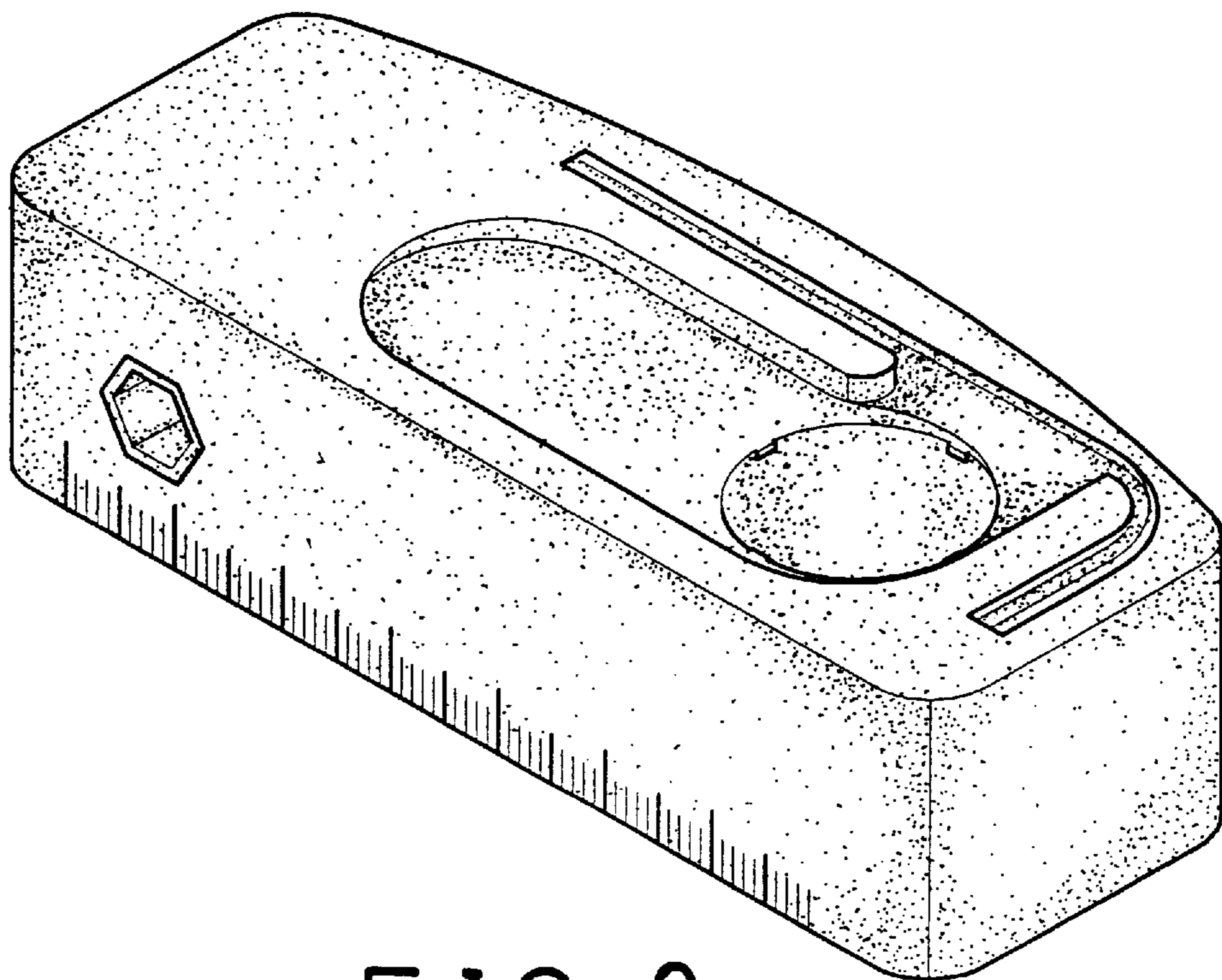


FIG. 8



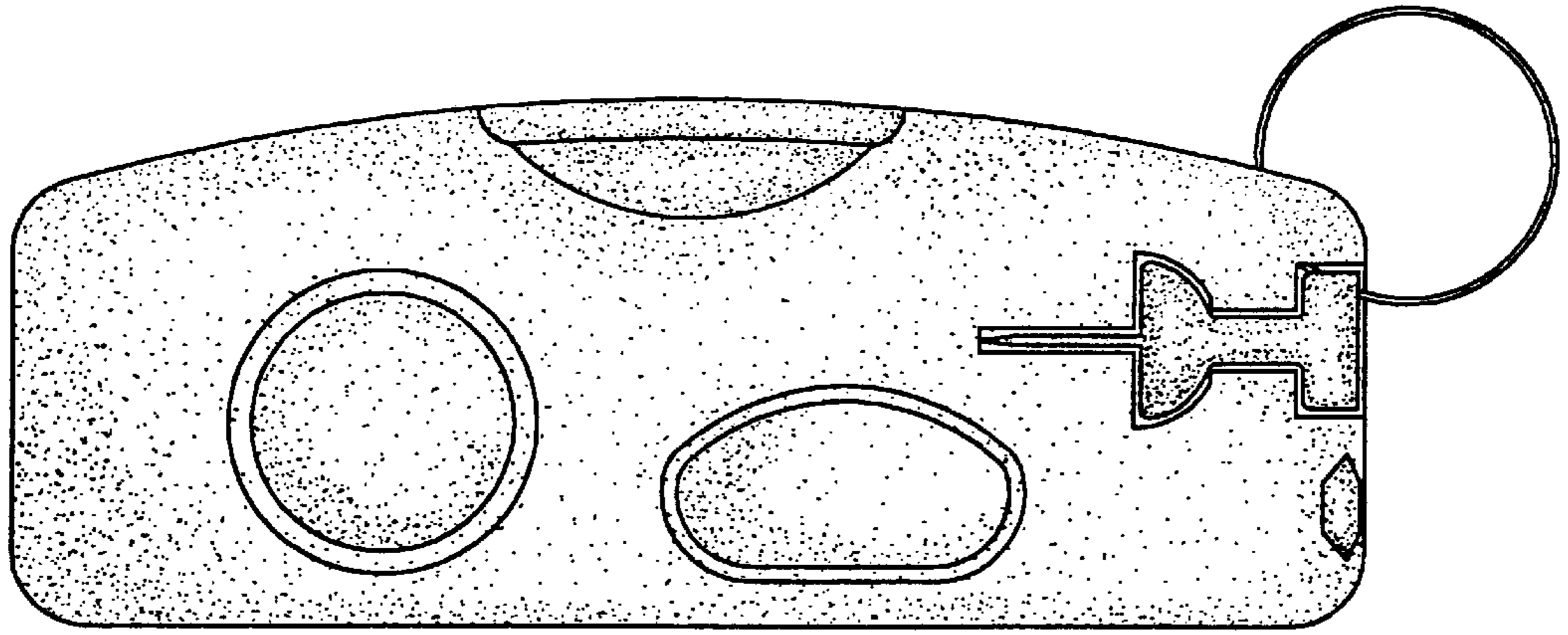


FIG. 2

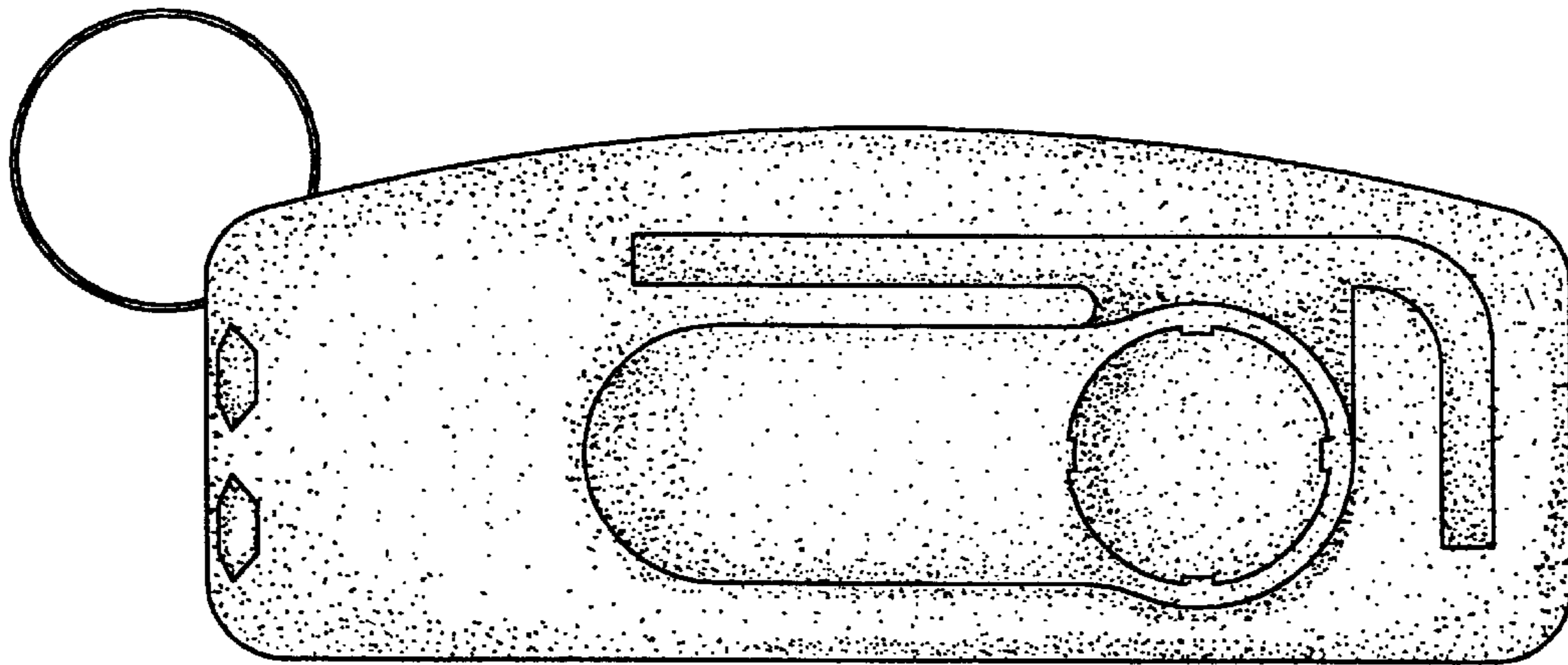


FIG. 3

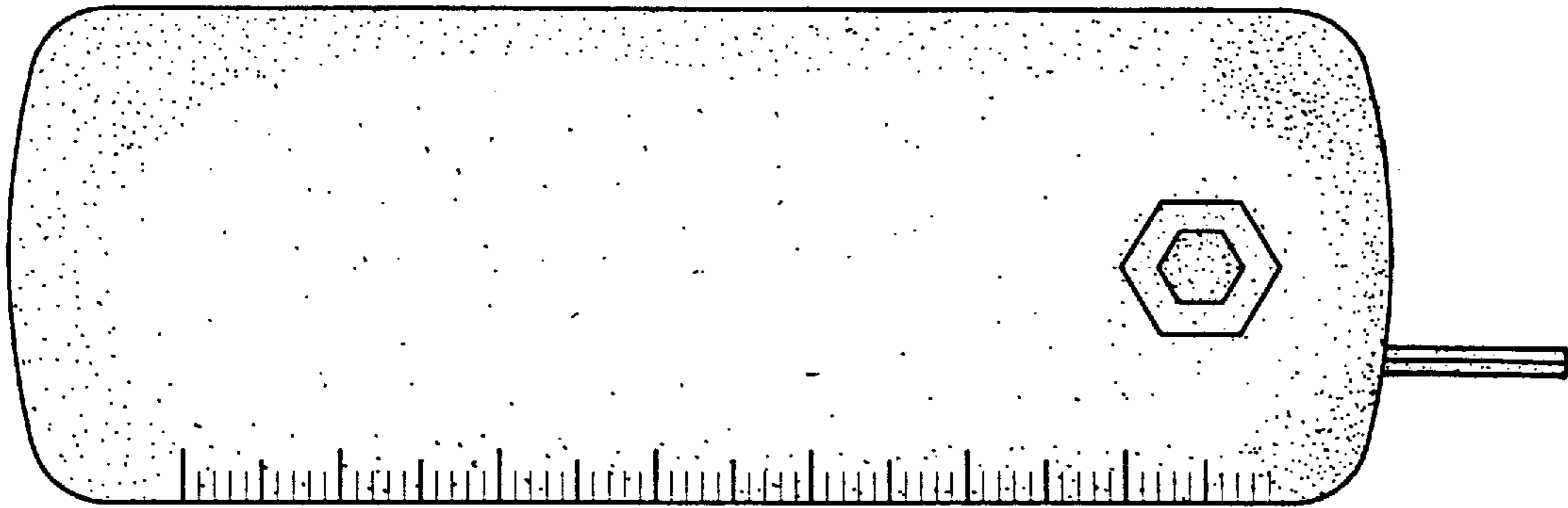


FIG. 5

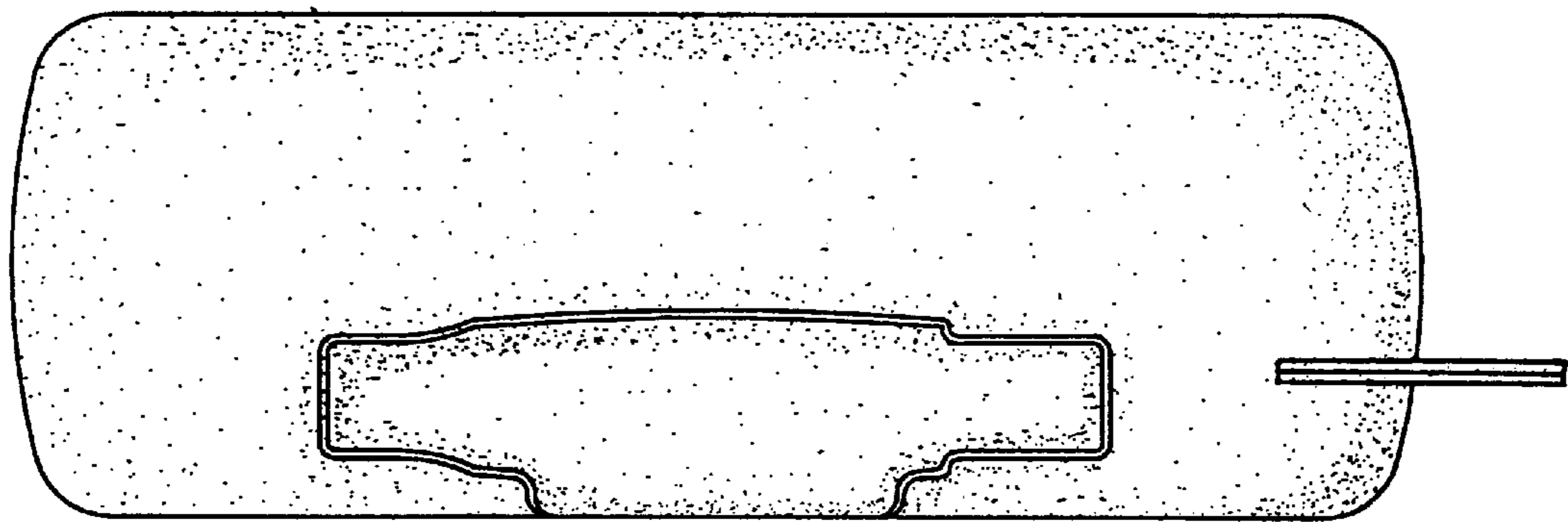


FIG. 4

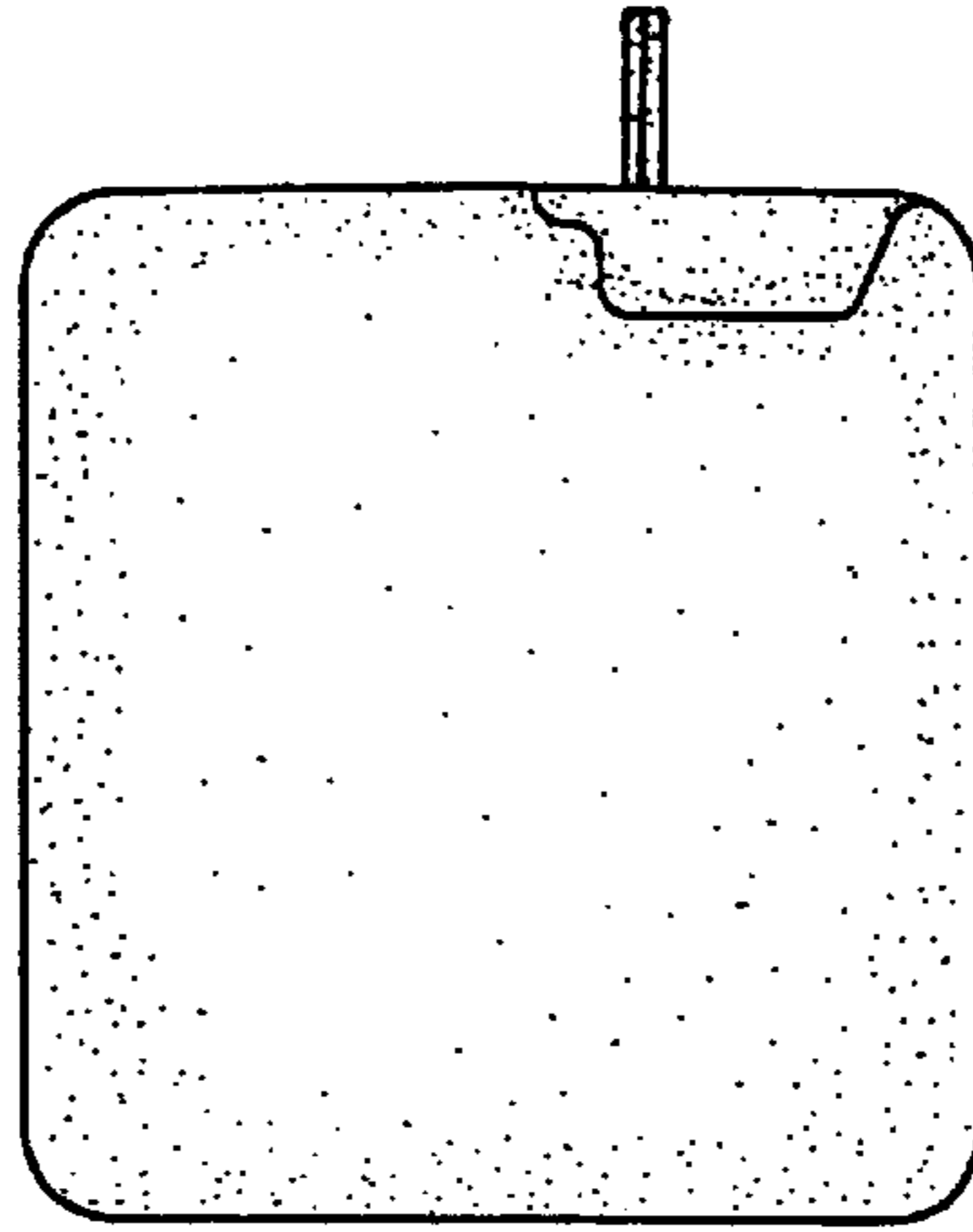


FIG. 6

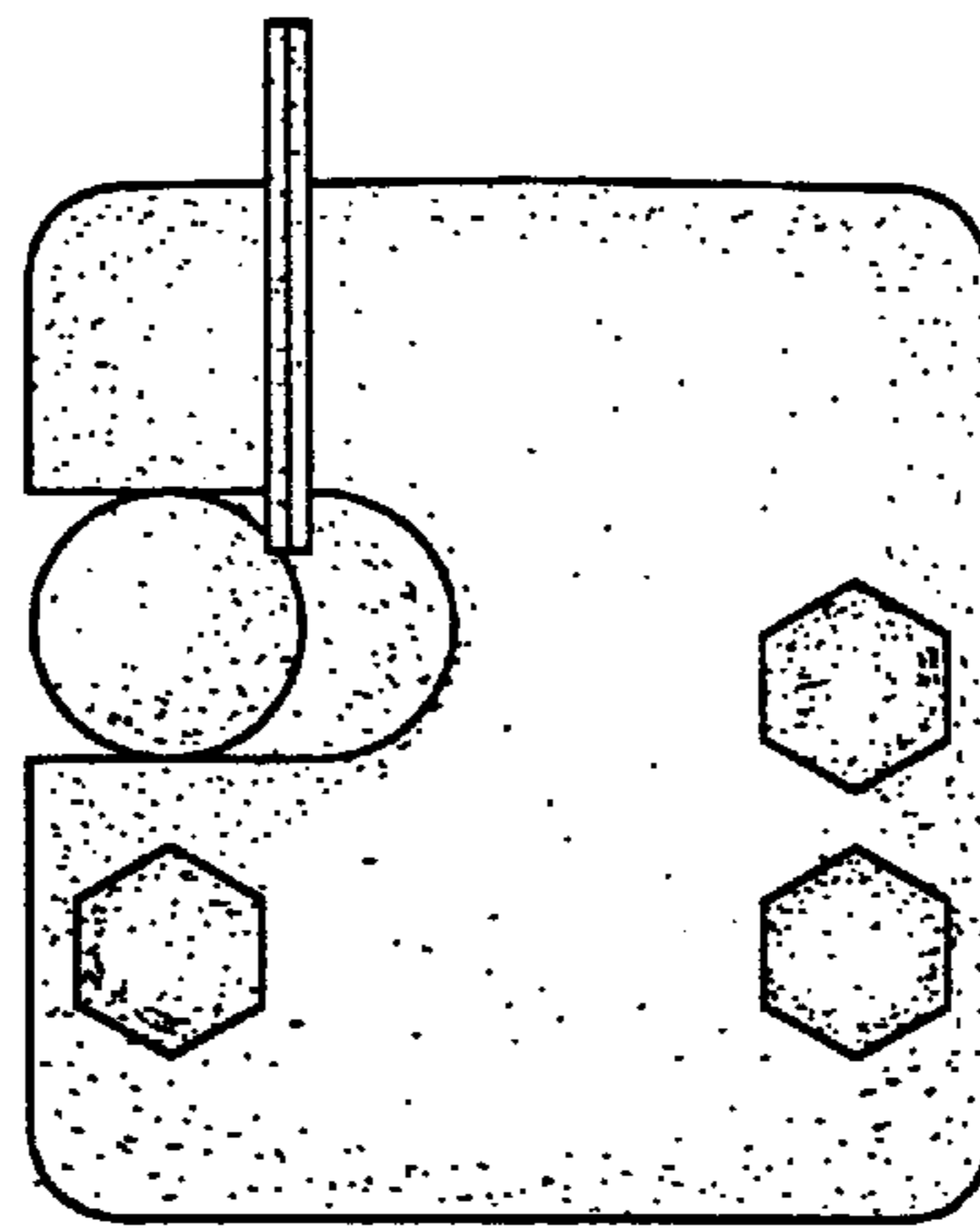


FIG. 7