



US00D402312S

United States Patent [19]

Chevalier et al.

[11] **Patent Number:** **Des. 402,312**

[45] **Date of Patent:** ****Dec. 8, 1998**

[54] **CAP FOR WRITING INSTRUMENTS**

[75] Inventors: **Jean Francois Chevalier**, Paris, France; **Craig Stevens**, Bethany, Conn.; **Christine E. Weigand**, Milford, Conn.; **Richard Williams**, Cheshire, Conn.

[73] Assignee: **Bic Corporation**, Milford, Conn.

[**] Term: **14 Years**

[21] Appl. No.: **74,302**

[22] Filed: **Jul. 31, 1997**

[51] **LOC (6) Cl.** **19-06**

[52] **U.S. Cl.** **D19/57; D19/49; D19/51**

[58] **Field of Search** **D19/35, 36, 41-51, D19/53-56, 57, 58, 81-85; 401/196, 202, 243-247, 209, 213**

[56] **References Cited**

U.S. PATENT DOCUMENTS

- D. 248,865 8/1978 Sussman et al. D19/43
- D. 310,684 9/1990 Itoh D19/57

- D. 317,324 6/1991 Chuang D19/51 X
- D. 322,629 12/1991 Hayes D19/36
- D. 340,069 10/1993 Garry D19/57
- D. 340,476 10/1993 Hiromori D19/57 X
- D. 351,417 10/1994 Oka D19/57
- D. 359,759 6/1995 Otake D19/56 X
- 5,066,156 11/1991 Petrillo et al. 401/213

Primary Examiner—Martie Thompson
Attorney, Agent, or Firm—Pennie & Edmonds LLP

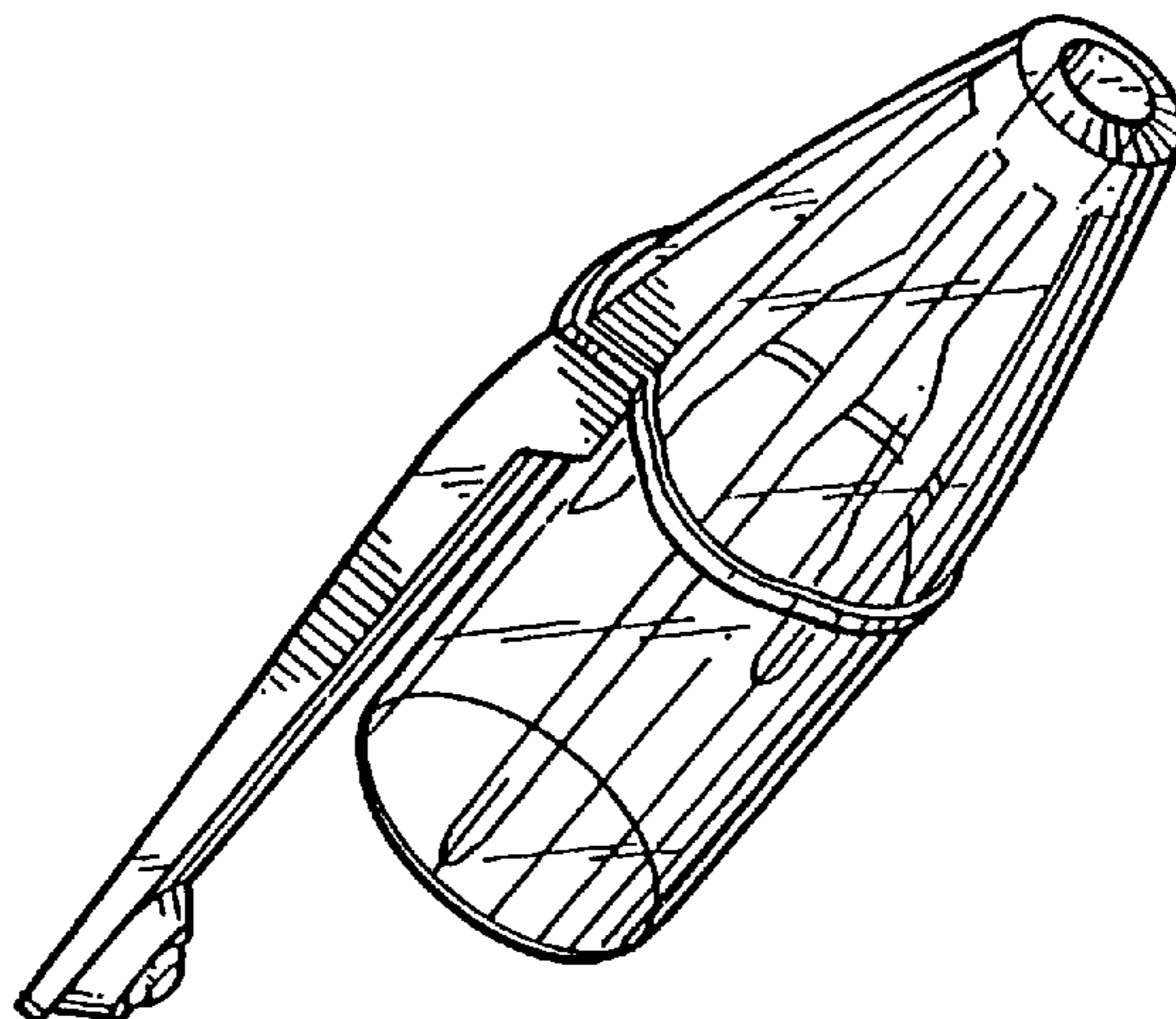
[57] **CLAIM**

The ornamental design for a cap for writing instruments, as shown and described.

DESCRIPTION

FIG. 1 is a perspective view of a cap for writing instruments, showing our new design, taken from the top right side; FIG. 2 is a right side elevational view thereof, the left side elevational view being a mirror image thereto; FIG. 3 is a top plan view thereof; FIG. 4 is a bottom plan view thereof; FIG. 5 is a front elevational view thereof; and, FIG. 6 is a rear elevational view thereof.

1 Claim, 3 Drawing Sheets



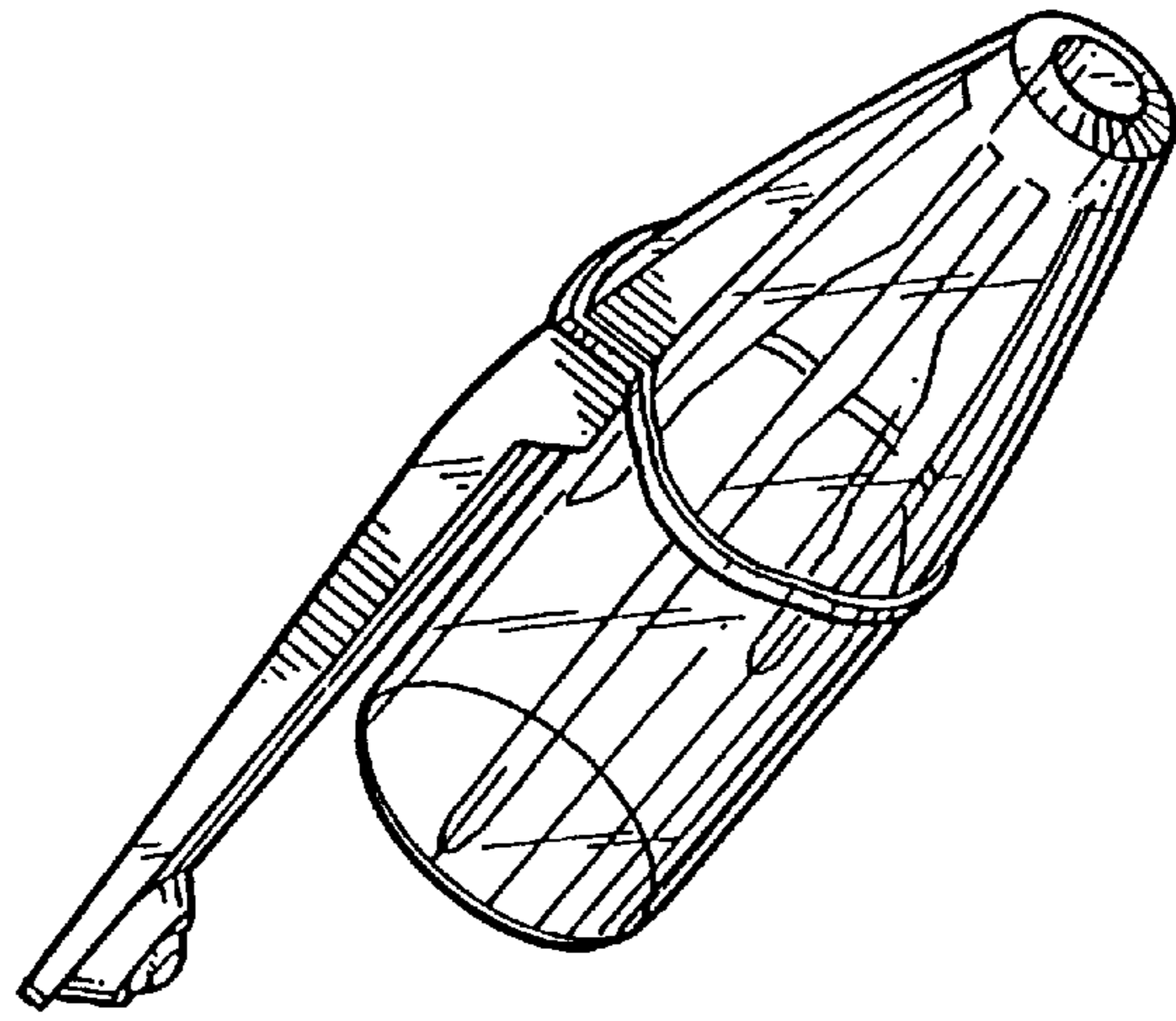


FIG. 1

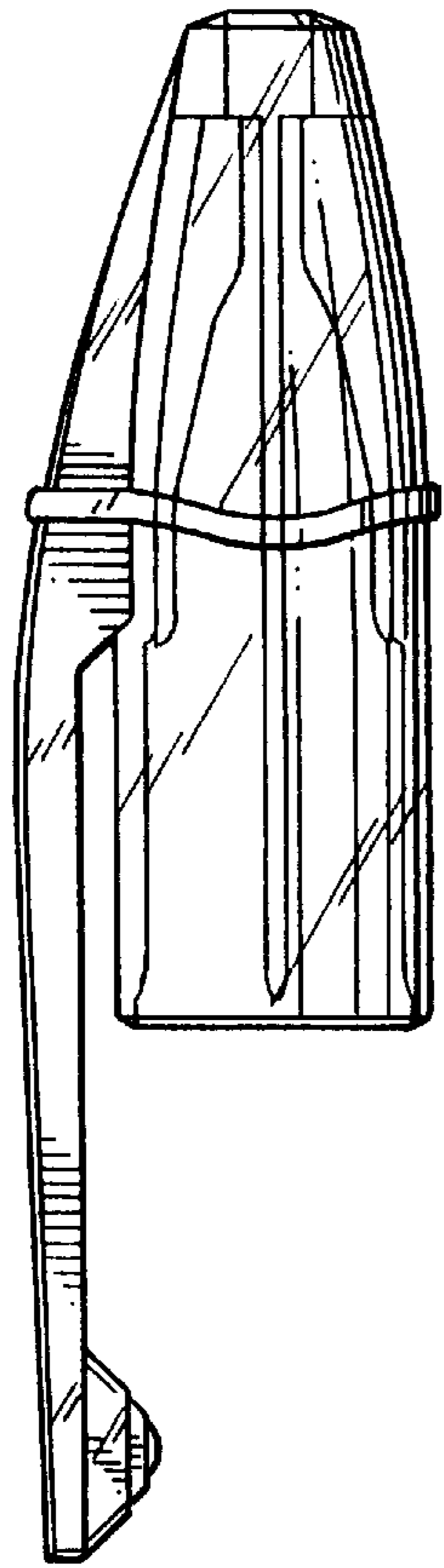


FIG. 2

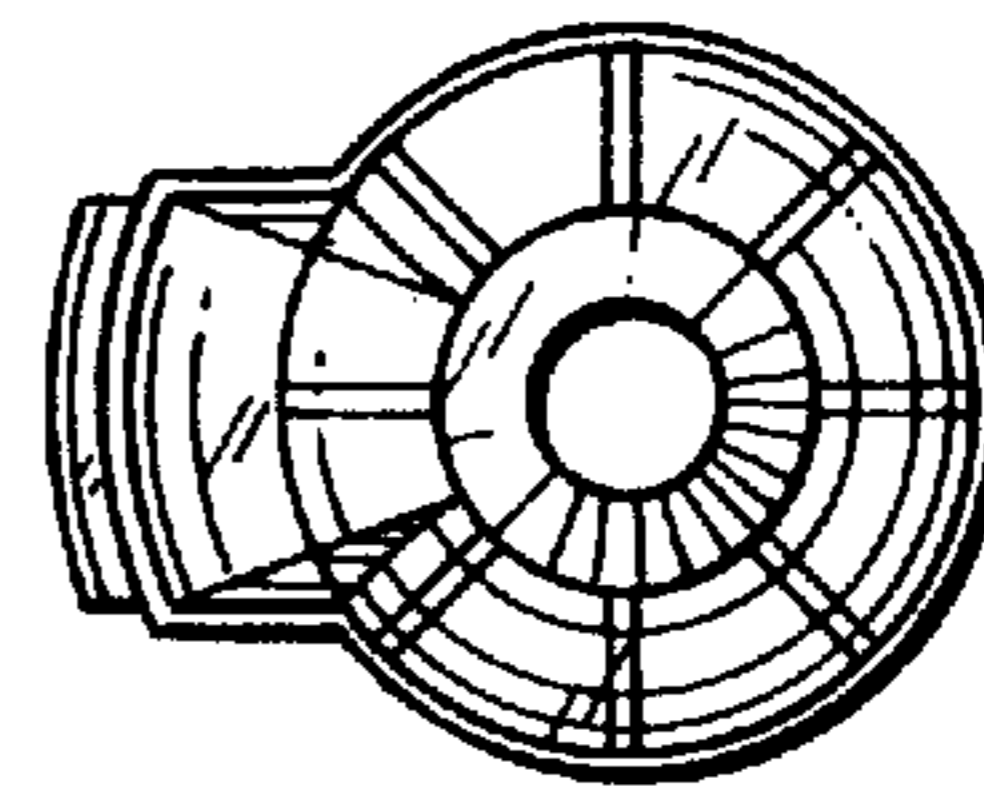


FIG. 3

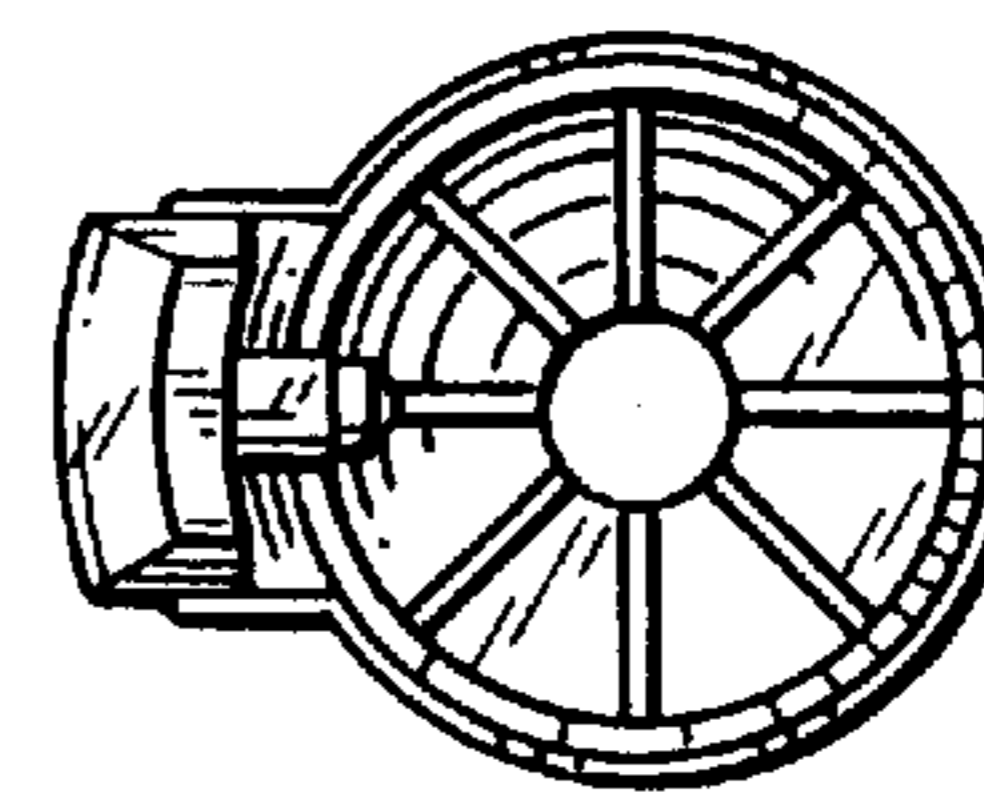


FIG. 4

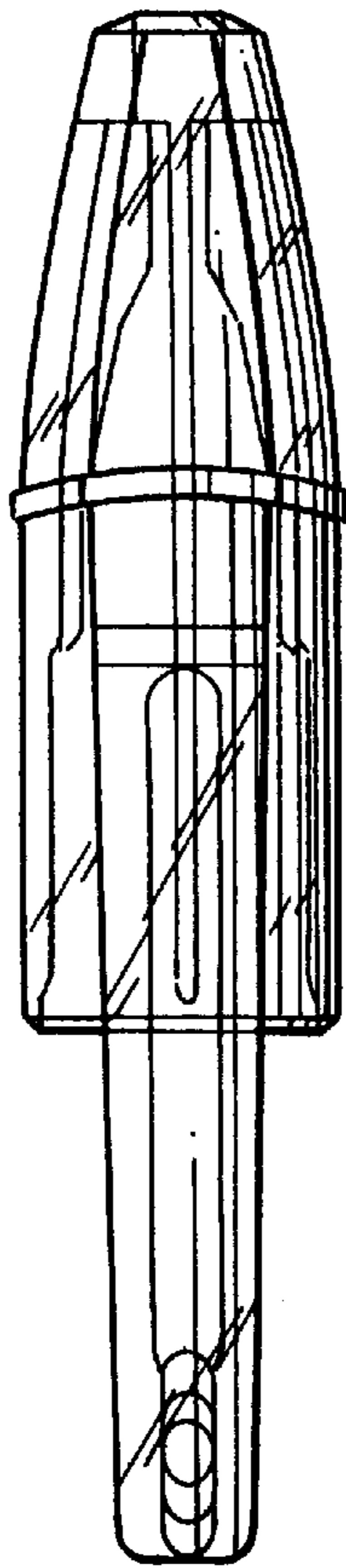


FIG. 5

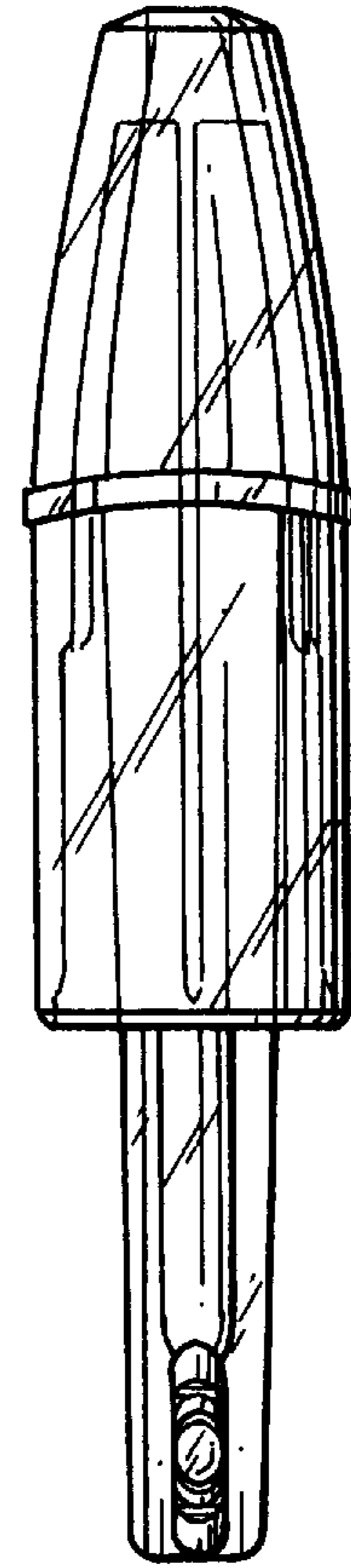


FIG. 6