



US00D402309S

United States Patent [19]

Arashima et al.

[11] **Patent Number:** **Des. 402,309**

[45] **Date of Patent:** ****Dec. 8, 1998**

[54] **PRINTING HEAD FOR PRINTER**

D. 326,111 5/1992 Otsuka et al. D18/56
D. 351,856 10/1994 Watanabe et al. D18/56

[75] Inventors: **Teruo Arashima**, Kawasaki; **Yuji Hamasaki**, Sagamihara; **Wataru Takahashi**, Yokohama, all of Japan

Primary Examiner—Cathy Anne MacCormac
Attorney, Agent, or Firm—Fitzpatrick, Cella, Harper & Scinto

[73] Assignee: **Canon Kabushiki Kaisha**, Tokyo, Japan

[57] **CLAIM**

[**] Term: **14 Years**

The ornamental design for a printing head for printer, as shown and described.

[21] Appl. No.: **74,801**

DESCRIPTION

[22] Filed: **Aug. 12, 1997**

[30] **Foreign Application Priority Data**

Feb. 14, 1997 [JP] Japan 9-4234

FIG. 1 is a front view of a printing head for printer showing our new design;

[51] **LOC (6) Cl.** **18-02**

FIG. 2 is a rear view thereof;

[52] **U.S. Cl.** **D18/56**

FIG. 3 is a top plan view thereof;

[58] **Field of Search** D18/56; 347/86, 347/87

FIG. 4 is a bottom plan view thereof;

FIG. 5 is a left side view thereof;

FIG. 6 is a right side view thereof; and,

FIG. 7 is a perspective view thereof.

[56] **References Cited**

U.S. PATENT DOCUMENTS

D. 313,427 1/1991 Saeki D18/56

1 Claim, 4 Drawing Sheets

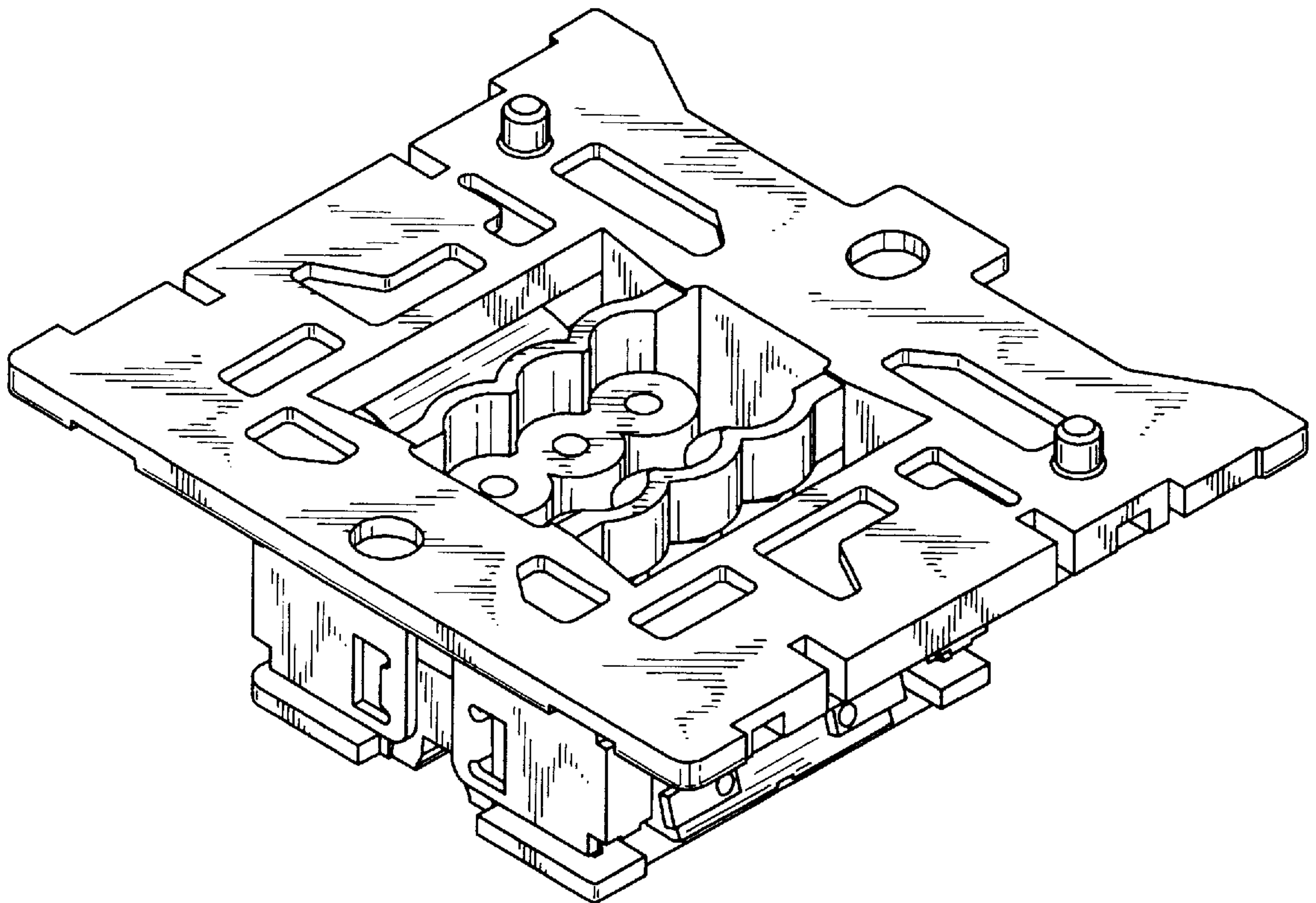


FIG. 1

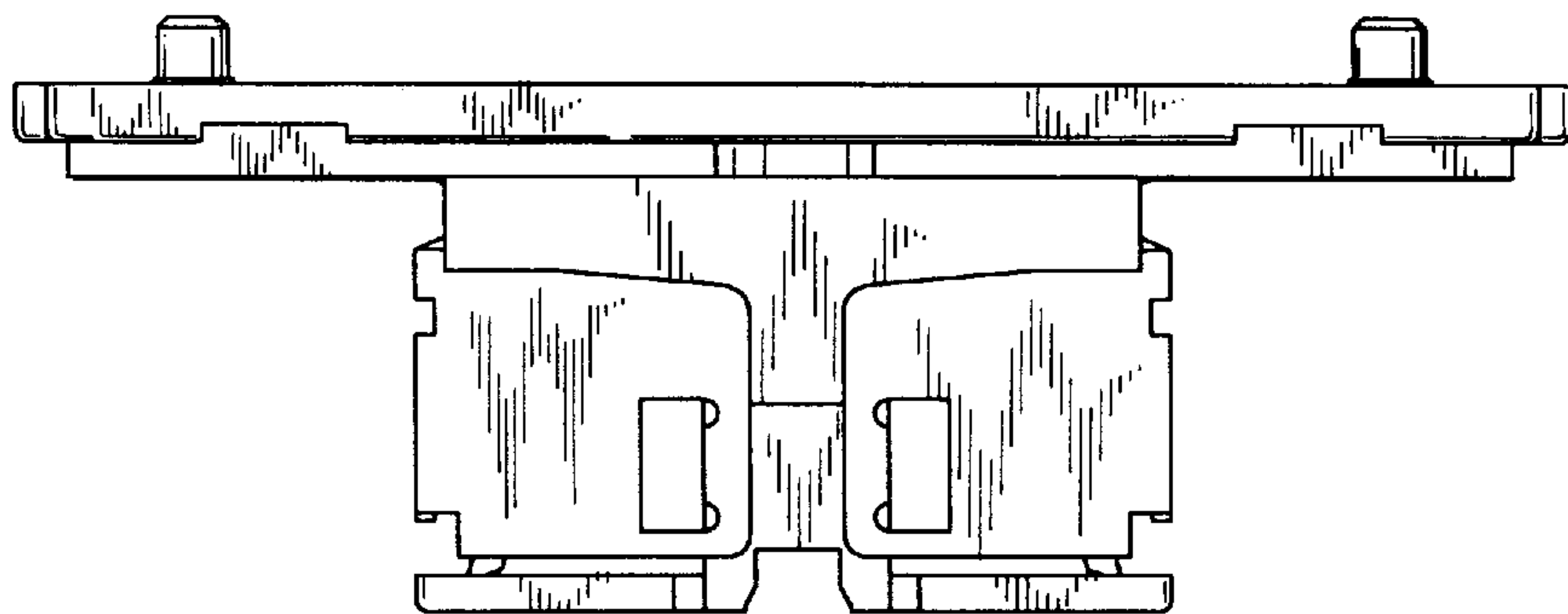


FIG. 2

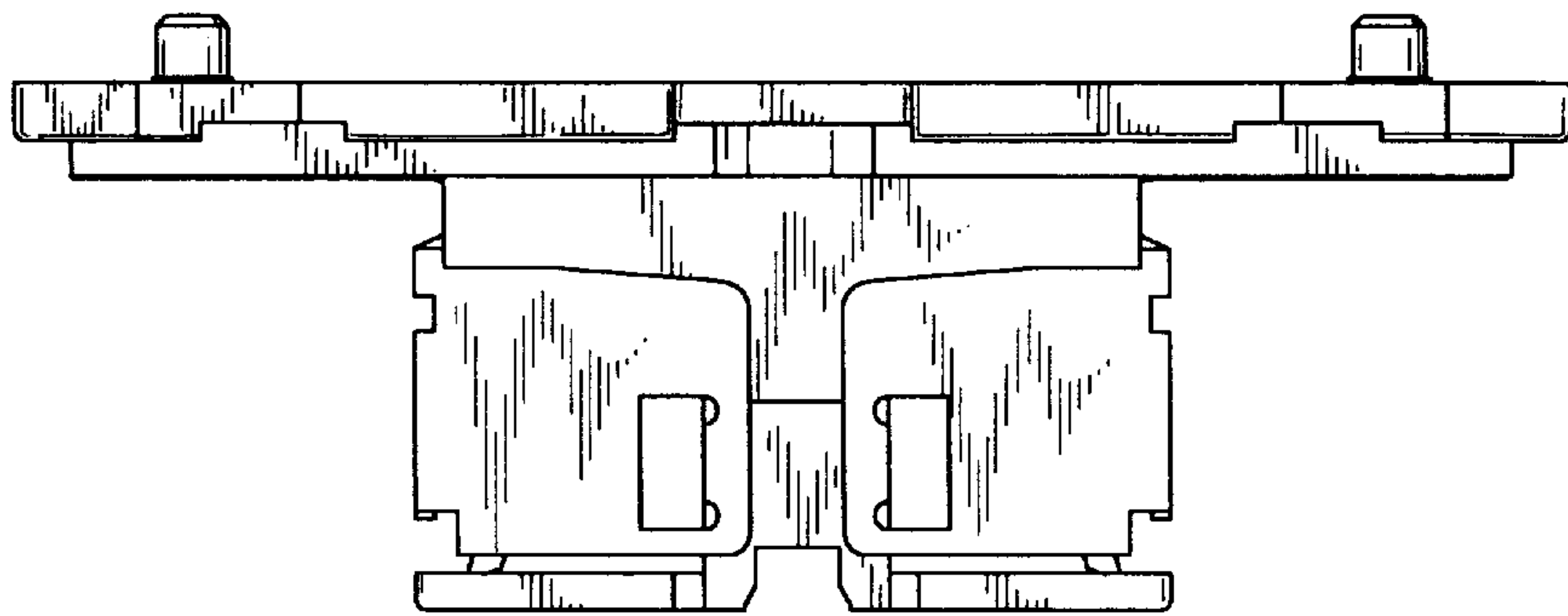


FIG. 3

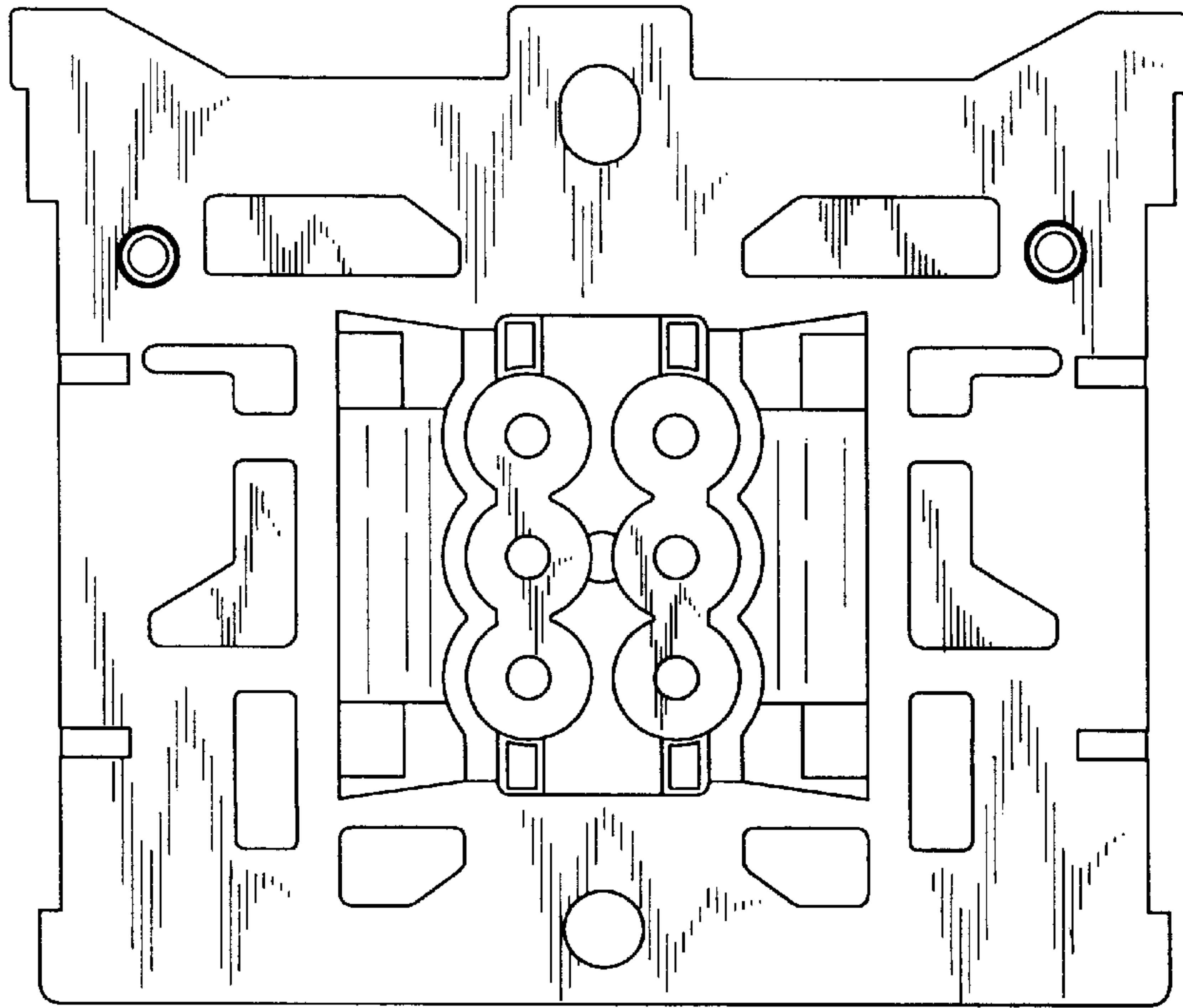


FIG. 4

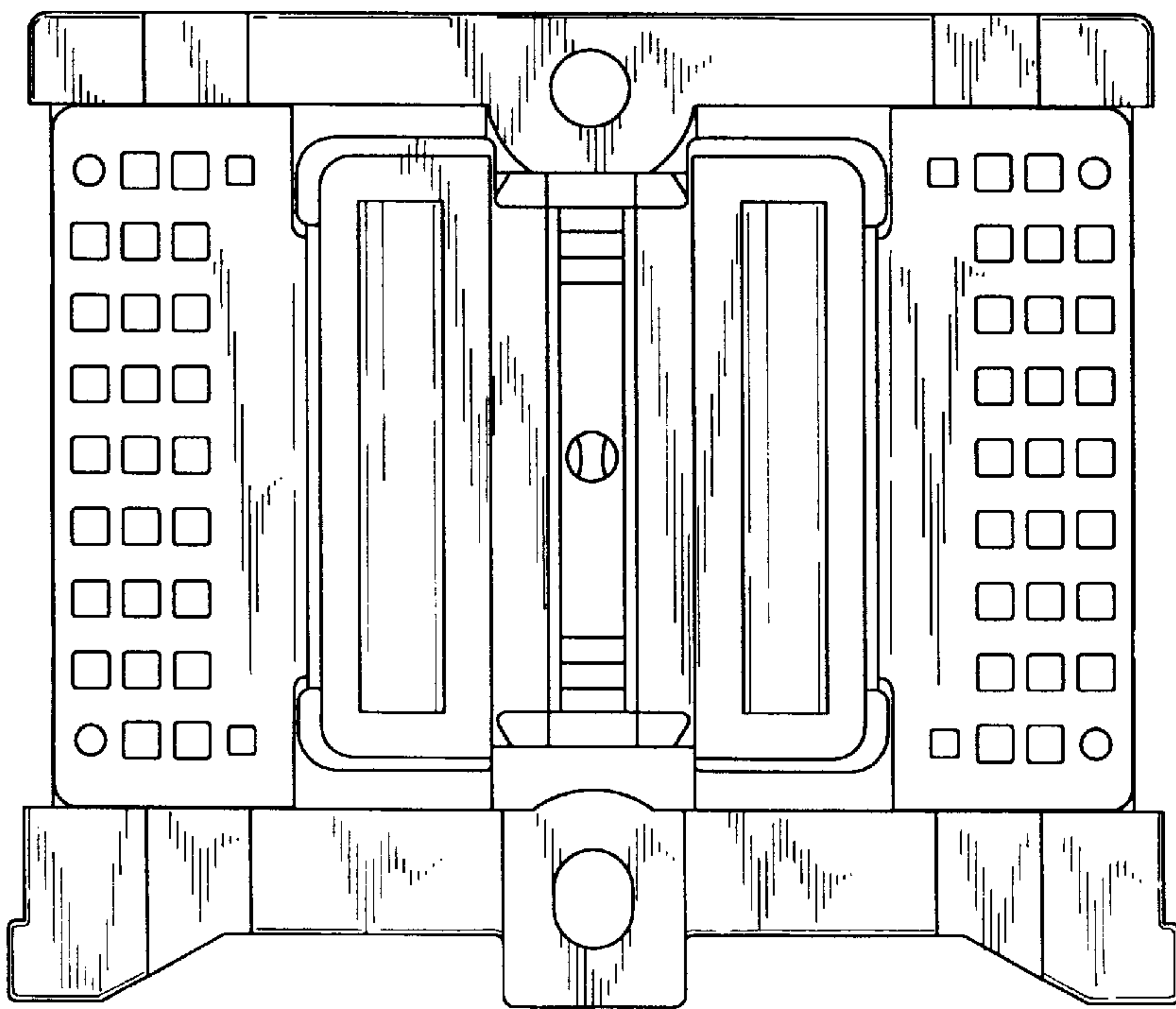


FIG. 5

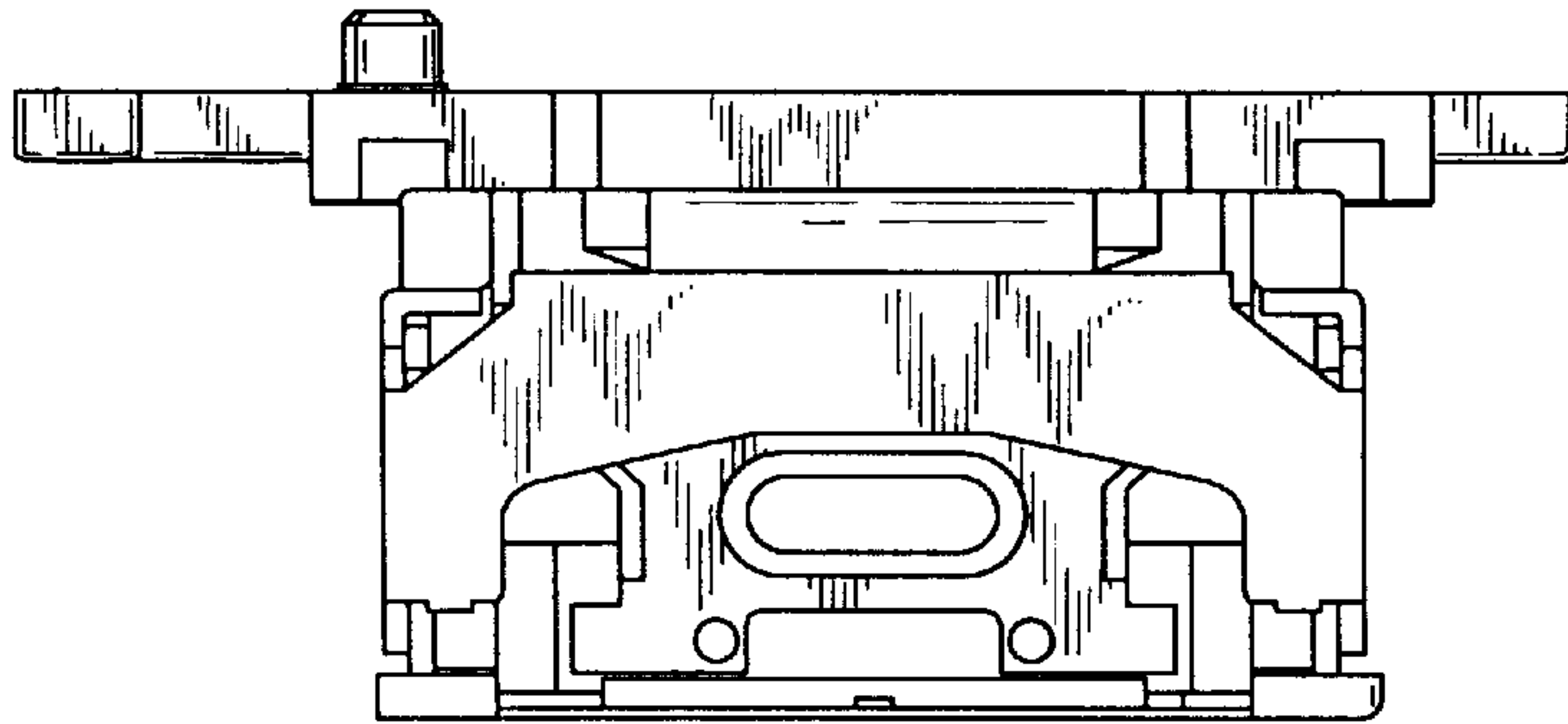


FIG. 6

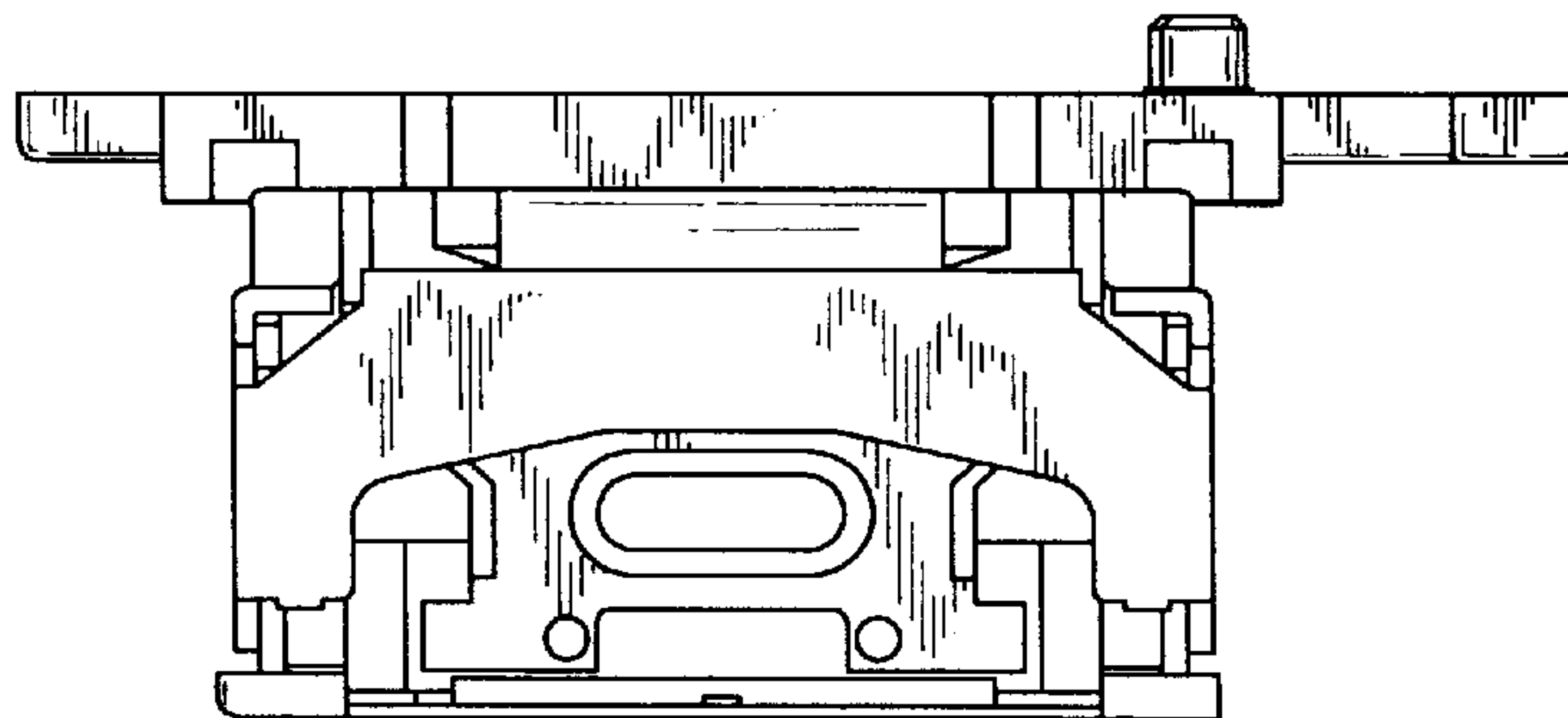


FIG. 7

