



US00D402301S

United States Patent [19] Sekine

[11] **Patent Number: Des. 402,301**

[45] **Date of Patent: **Dec. 8, 1998**

[54] **VIDEO CAMERA**

[75] Inventor: **Naofumi Sekine**, Kawasaki, Japan

[73] Assignee: **Canon Kabushiki Kaisha**, Tokyo, Japan

[**] Term: **14 Years**

[21] Appl. No.: **80,783**

[22] Filed: **Dec. 18, 1997**

[30] Foreign Application Priority Data

Jun. 26, 1997 [JP] Japan 9-59523

[51] **LOC (6) Cl.** **16-01**

[52] **U.S. Cl.** **D16/202**

[58] **Field of Search** D16/200-206,
D16/208, 216-218; 348/373-376; 358/909.1;
396/61, 535-543

[56] References Cited

U.S. PATENT DOCUMENTS

D. 291,571 8/1987 Toyoda et al. D16/202

D. 315,357 3/1991 Fukutomi D16/202
D. 330,562 10/1992 Takada et al. D16/202
D. 352,517 11/1994 Sugiyama D16/217
D. 387,079 12/1997 Horikiri D16/202
4,945,372 7/1990 Higuchi et al. 396/61

Primary Examiner—Ted Shooman
Assistant Examiner—Adir Aronovich
Attorney, Agent, or Firm—Fitzpatrick, Cella, Harper & Scinto

[57] CLAIM

The ornamental design for a video camera, as shown and described.

DESCRIPTION

FIG. 1 is a front view of a video camera showing my new design;
FIG. 2 is a rear view thereof;
FIG. 3 is a top plan view thereof;
FIG. 4 is a bottom plan view thereof;
FIG. 5 is a left side view thereof;
FIG. 6 is a right side view thereof; and,
FIG. 7 is a perspective view thereof.

1 Claim, 4 Drawing Sheets

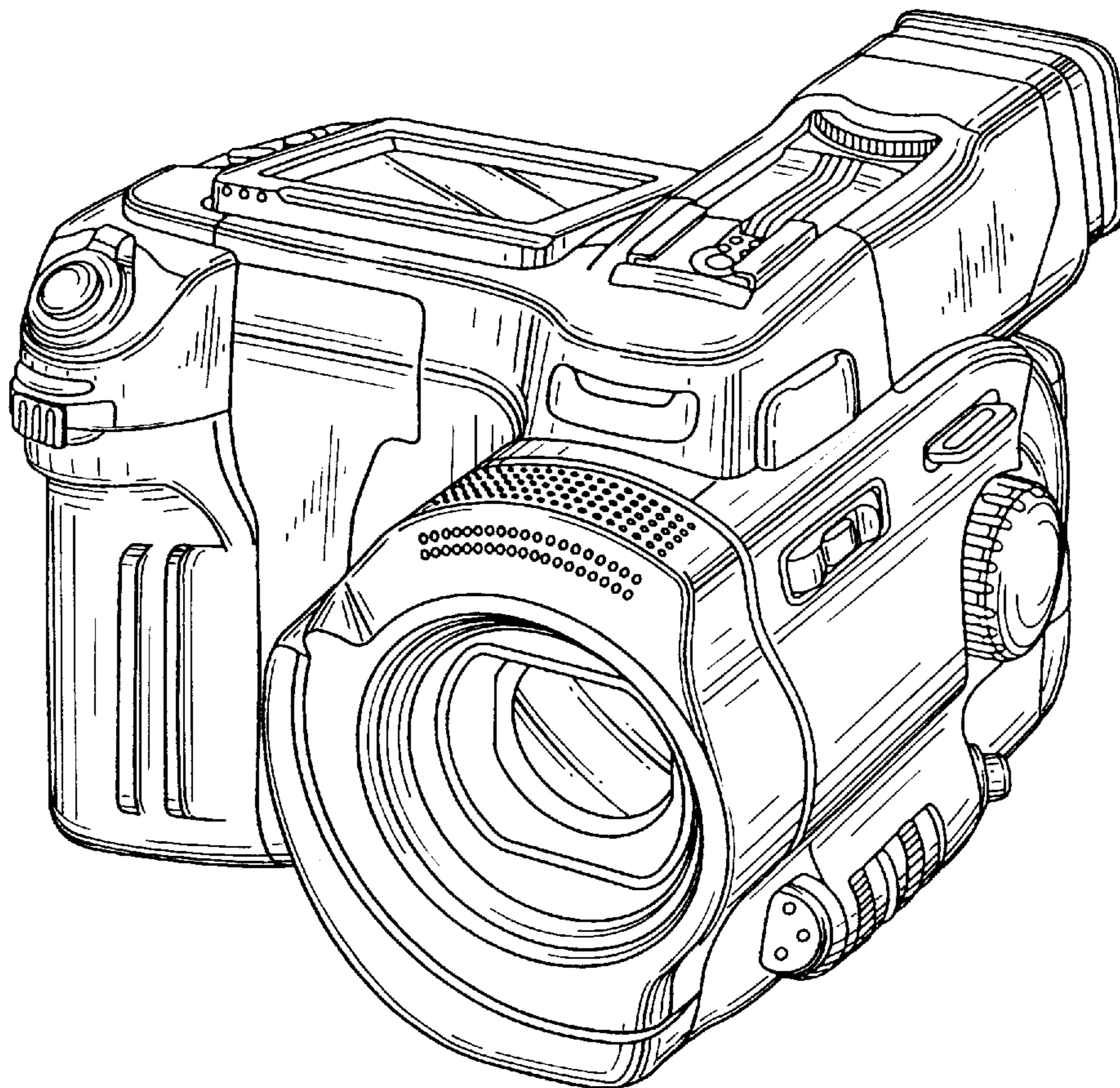


FIG. 1

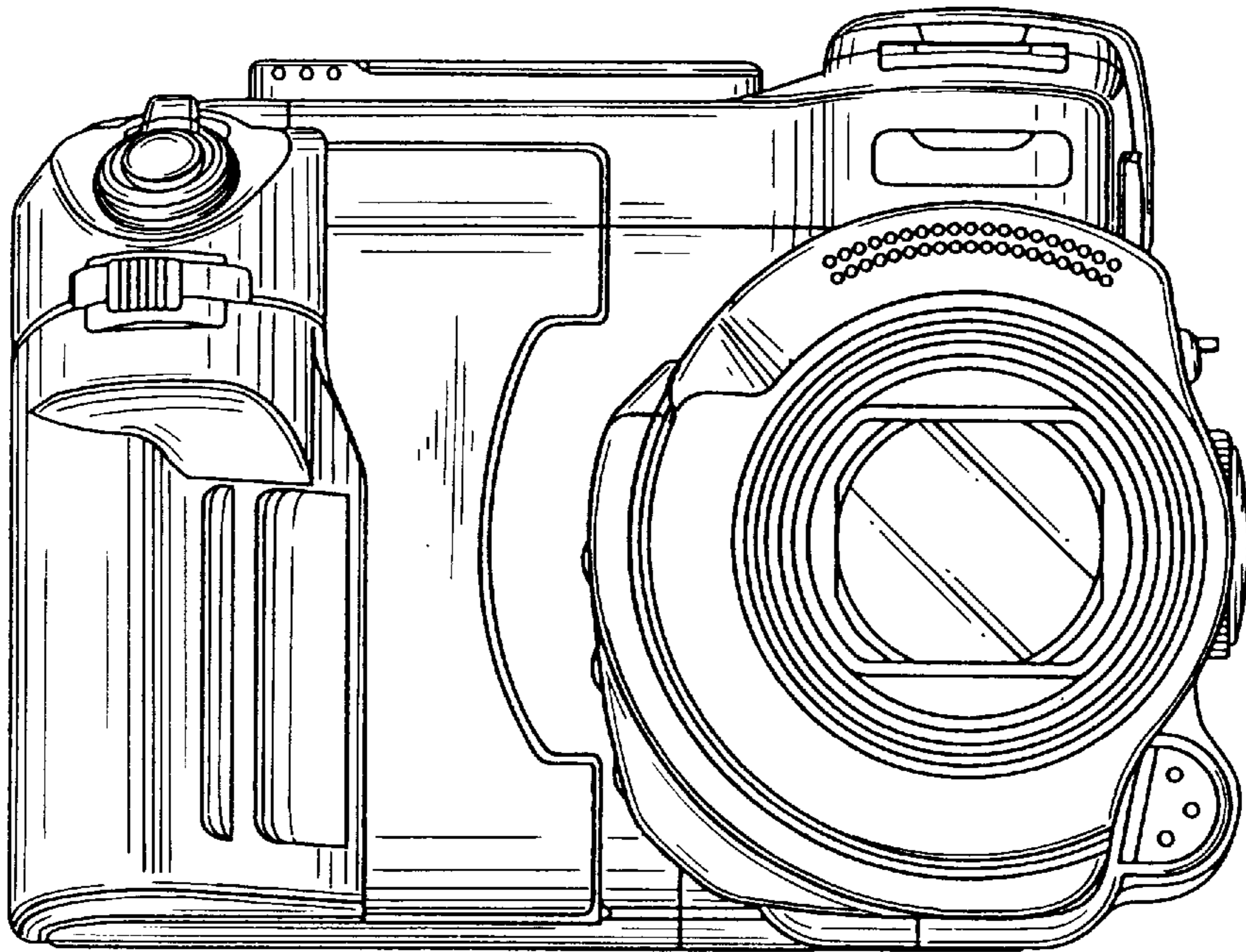


FIG. 2

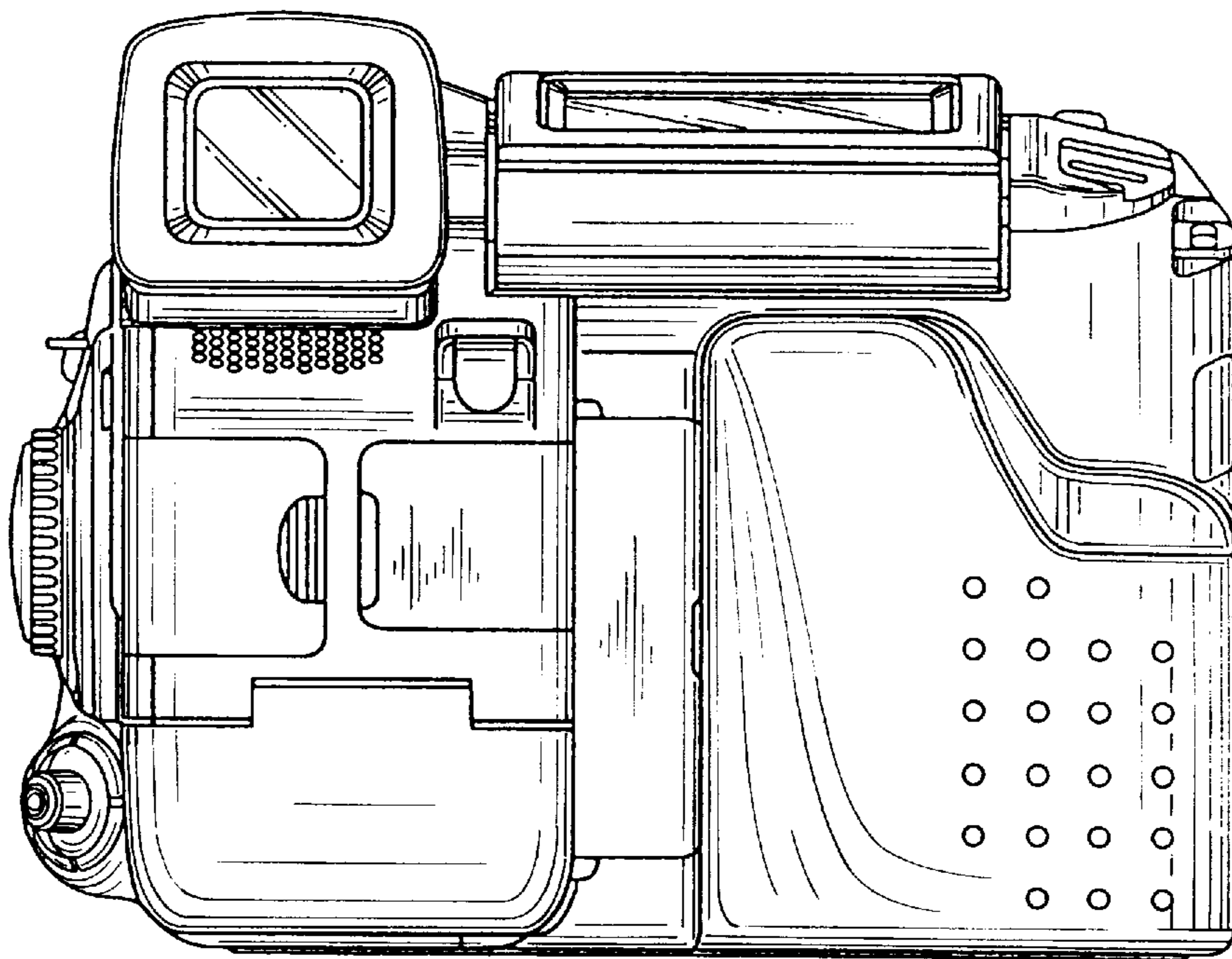


FIG. 3

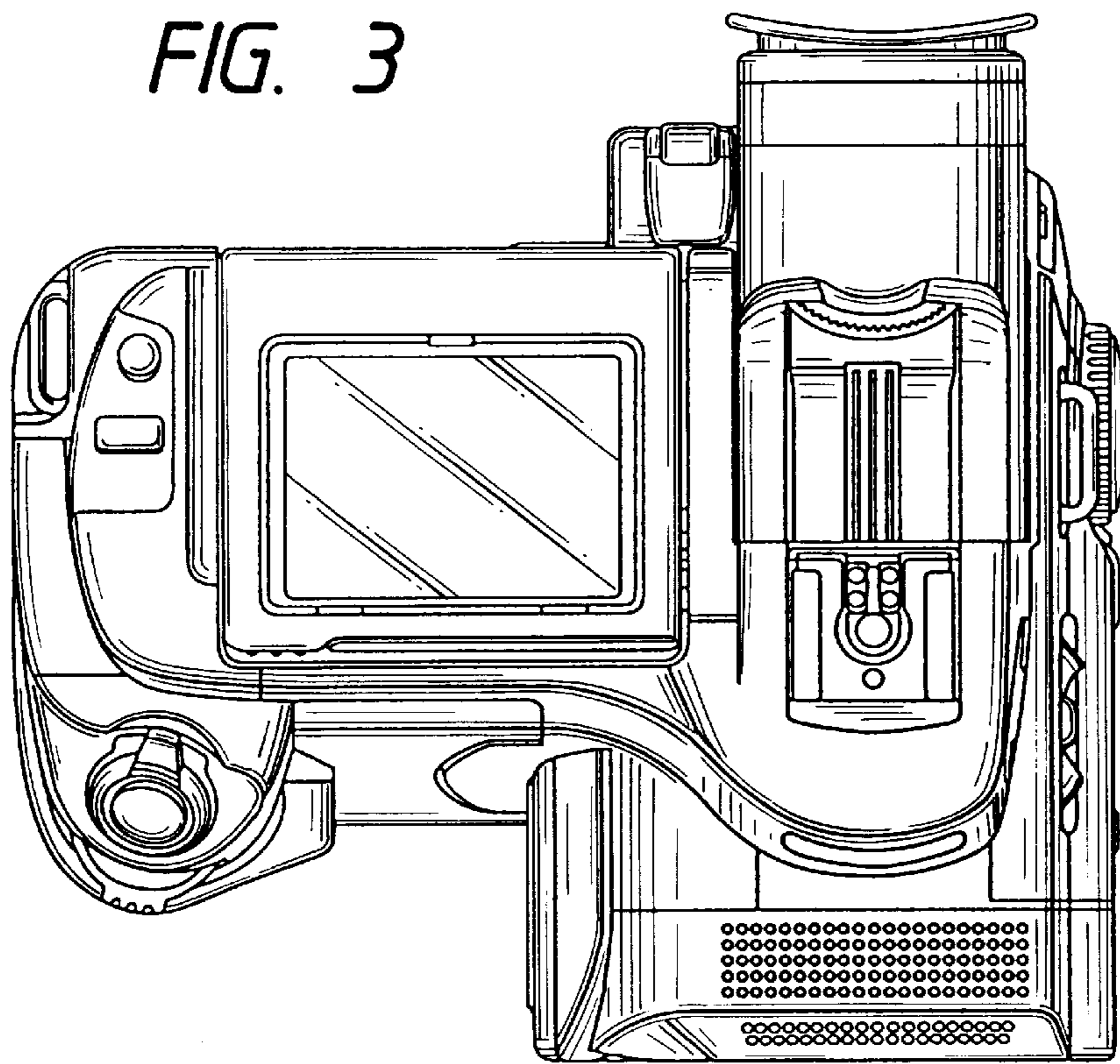


FIG. 4

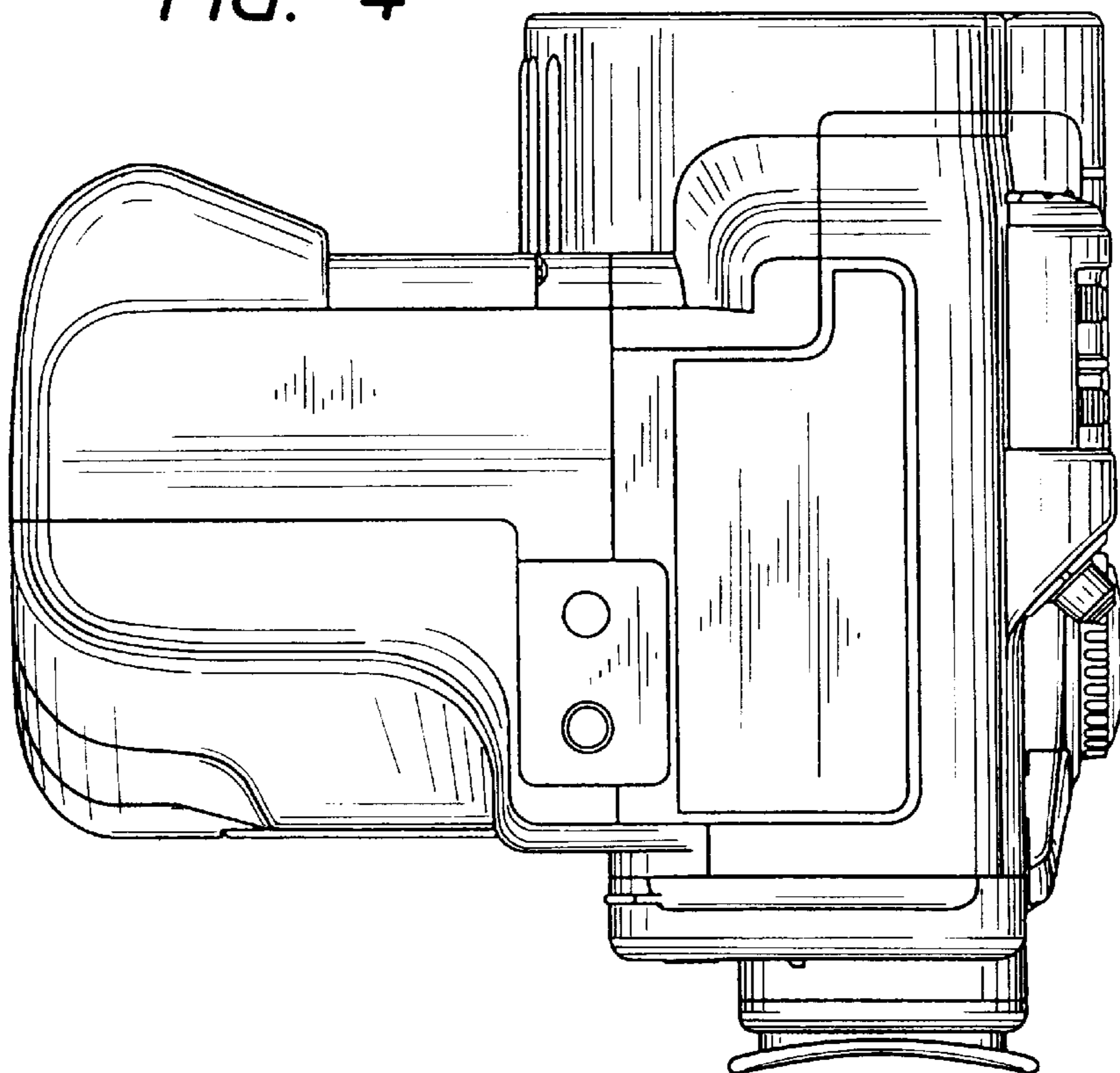


FIG. 5



FIG. 6

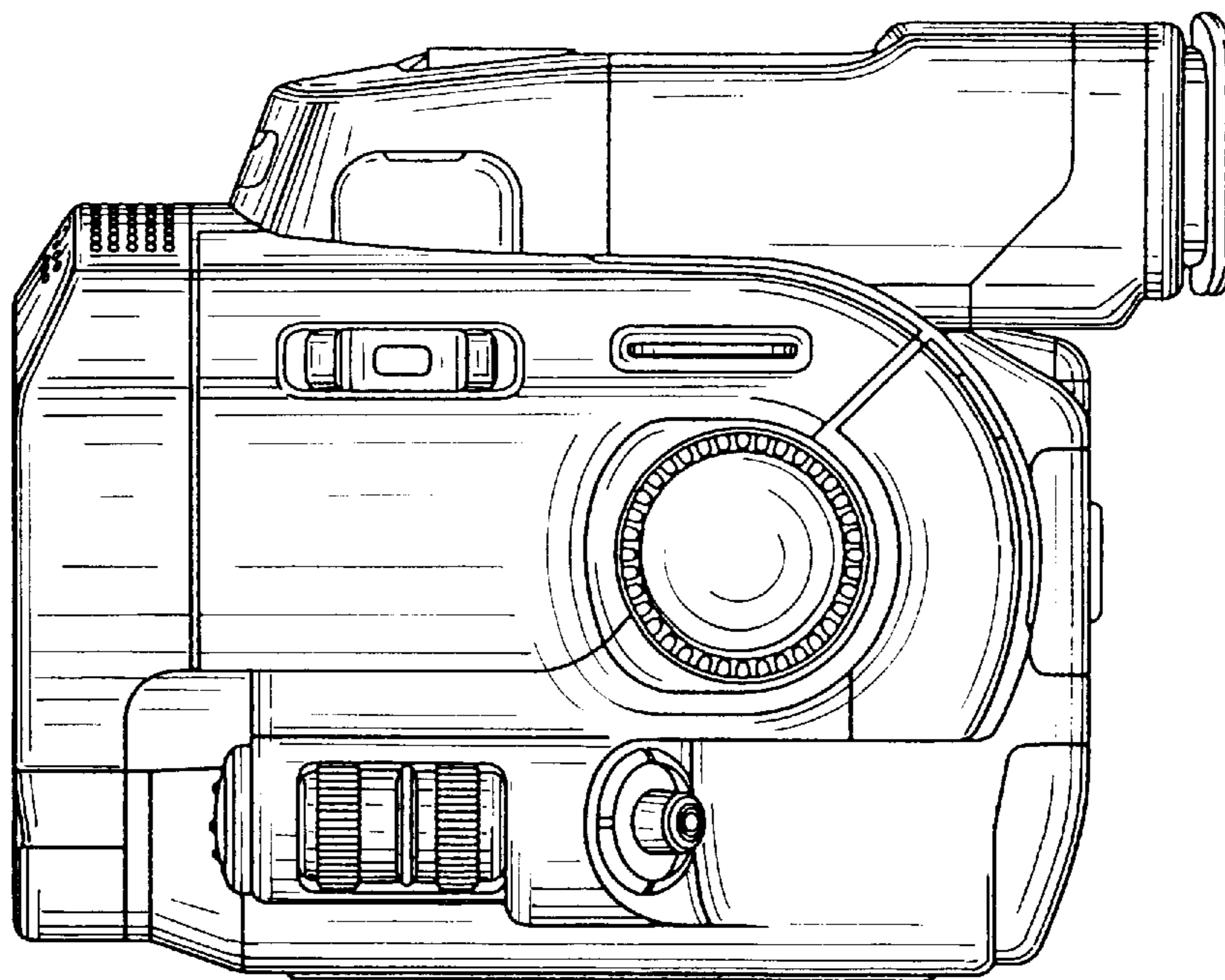


FIG. 7

