



US00D402300S

United States Patent [19]

Doppelt et al.

[11] **Patent Number:** **Des. 402,300**

[45] **Date of Patent:** ****Dec. 8, 1998**

[54] **GARAGE DOOR OPENER HOUSING**

Primary Examiner—Antoine Duval Davis

[76] Inventors: **Loren E. Doppelt**, 1032 E. Pratt Dr., Palatine, Ill. 60067; **Joseph Ergun**, 707 E. Schiller, Itasca, Ill. 60143; **Marvin Wayne Olds**, 1421 Placita Real, Green Valley, Ariz. 85614; **Penelope Yao**, 1526 SE. Ladd, Apt. C., Portland, Oreg. 97214

[57] **CLAIM**

The ornamental design for a garage door opener housing, as shown and described.

[**] Term: **14 Years**

DESCRIPTION

[21] Appl. No.: **48,930**

FIG. 1 is a perspective view of a garage door opener housing showing our new design;

[22] Filed: **Jan. 16, 1996**

FIG. 2 is a right-hand side elevational view thereof;

[51] **LOC (6) Cl.** **15-99**

[52] **U.S. Cl.** **D15/199**

[58] **Field of Search** D15/199; 49/199, 49/280, 26, 139, 362; 224/282, 311; 296/37.8, 37.7; 318/16; 455/99

FIG. 3 is a bottom plan view thereof;

FIG. 4 is an inverted left-hand side elevational view thereof;

FIG. 5 is a top plan view thereof;

FIG. 6 is a rear elevational view thereof; and,

FIG. 7 is a front elevational view thereof.

The broken line showing is for illustrative purposes only and forms no part of the claimed design.

[56] **References Cited**

U.S. PATENT DOCUMENTS

5,010,688 4/1991 Dombrowski et al. 49/362

1 Claim, 4 Drawing Sheets

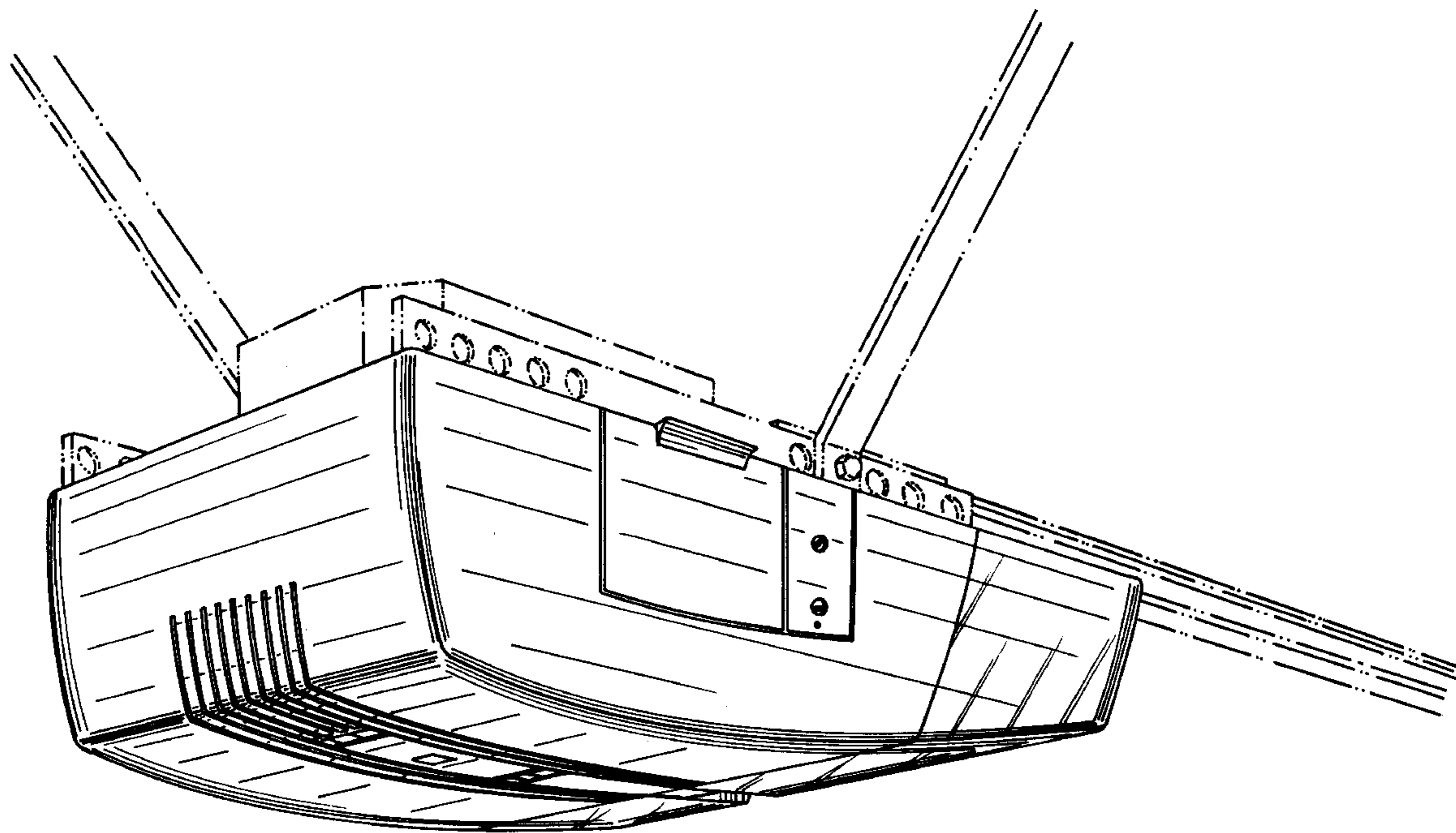
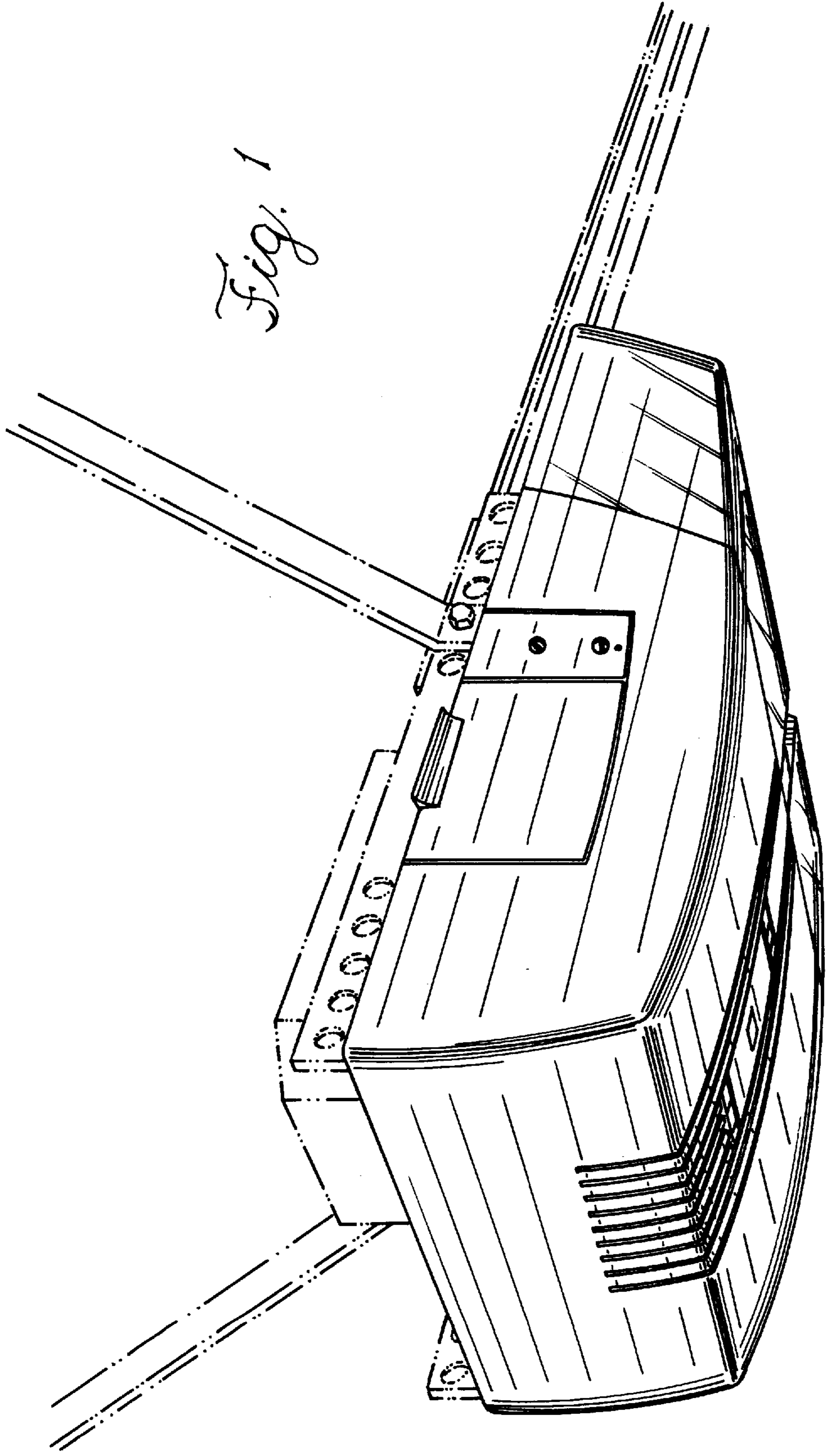
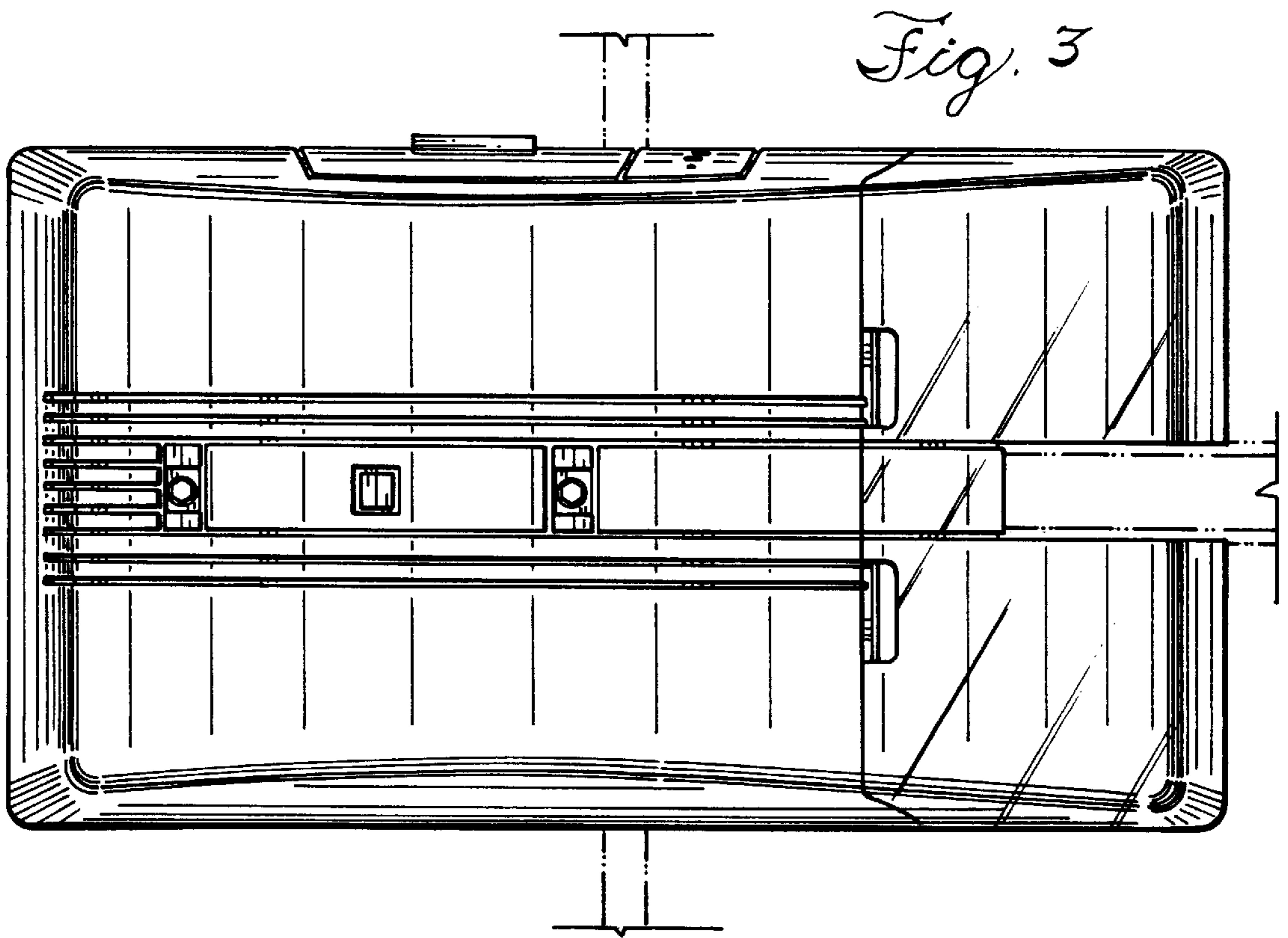
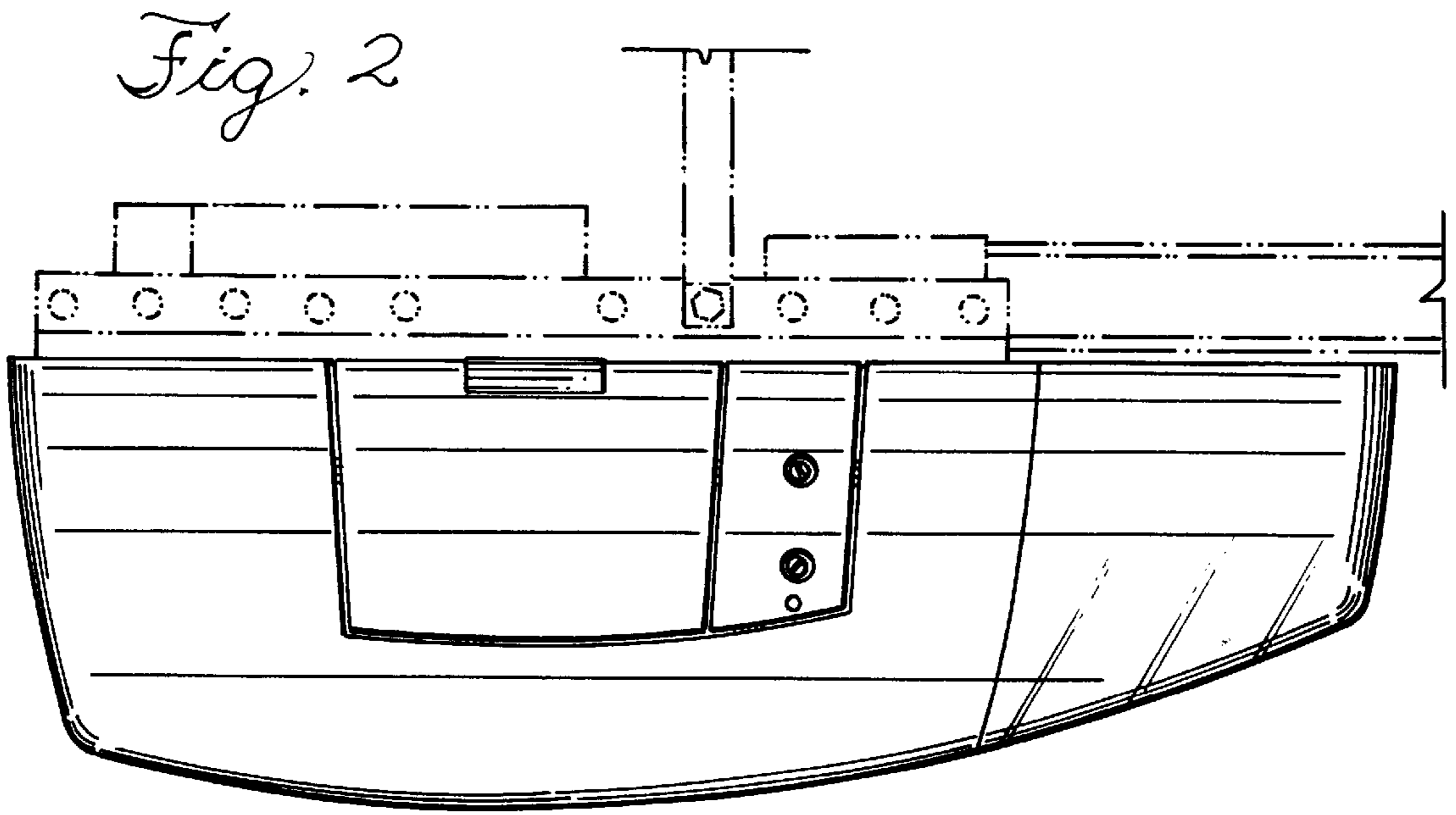


Fig. 1





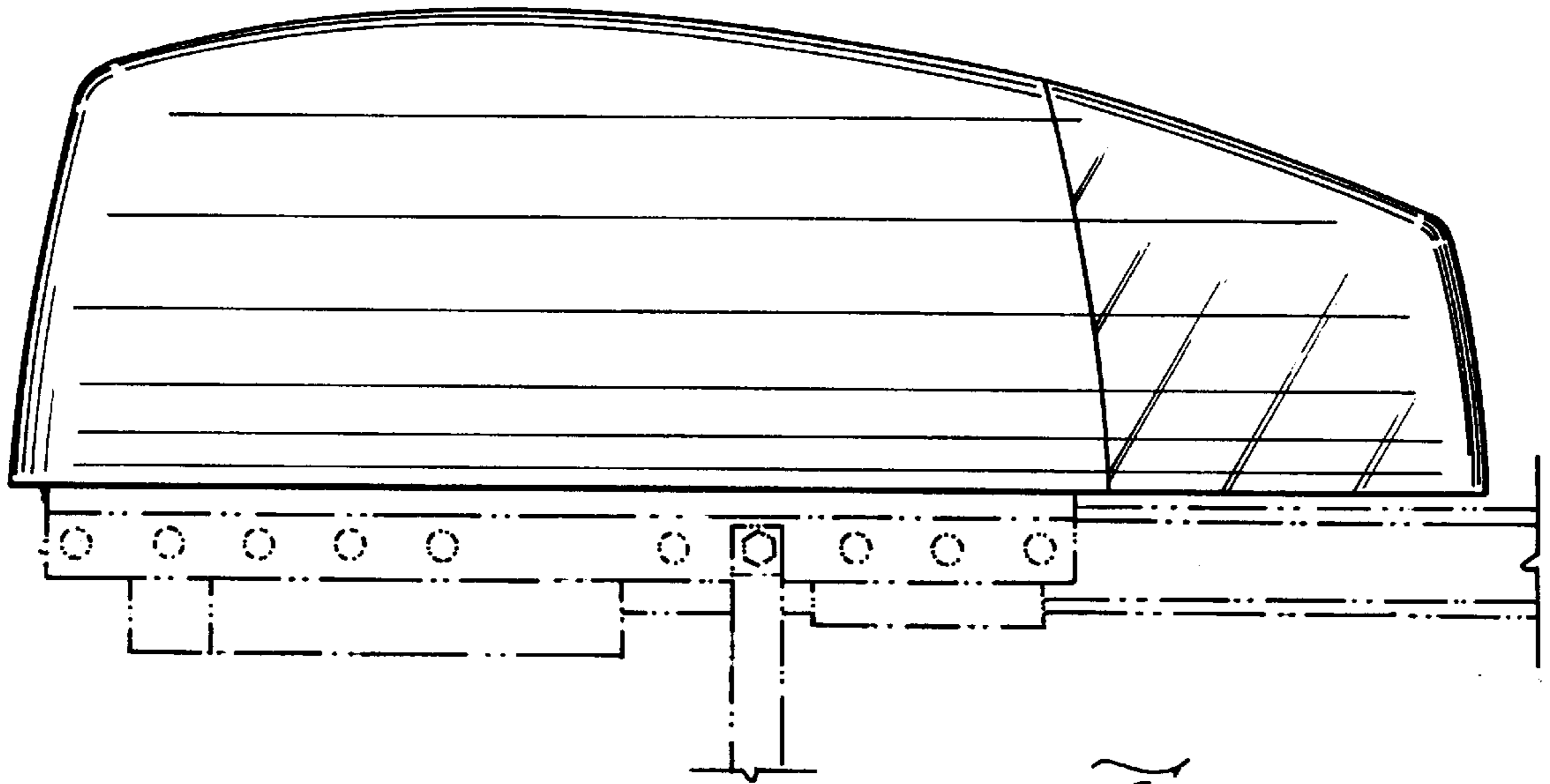


Fig. 4

Fig. 5

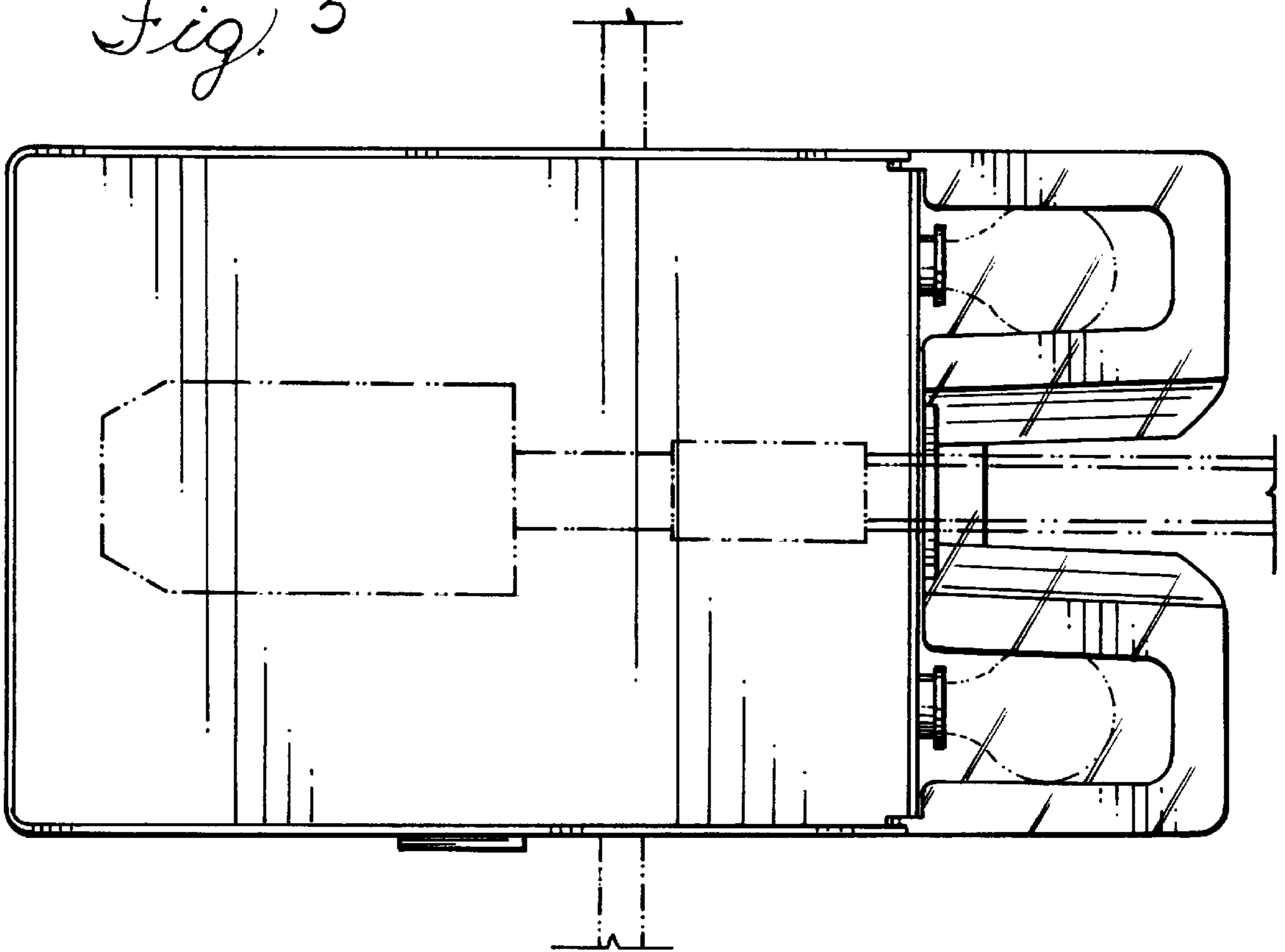


Fig. 6

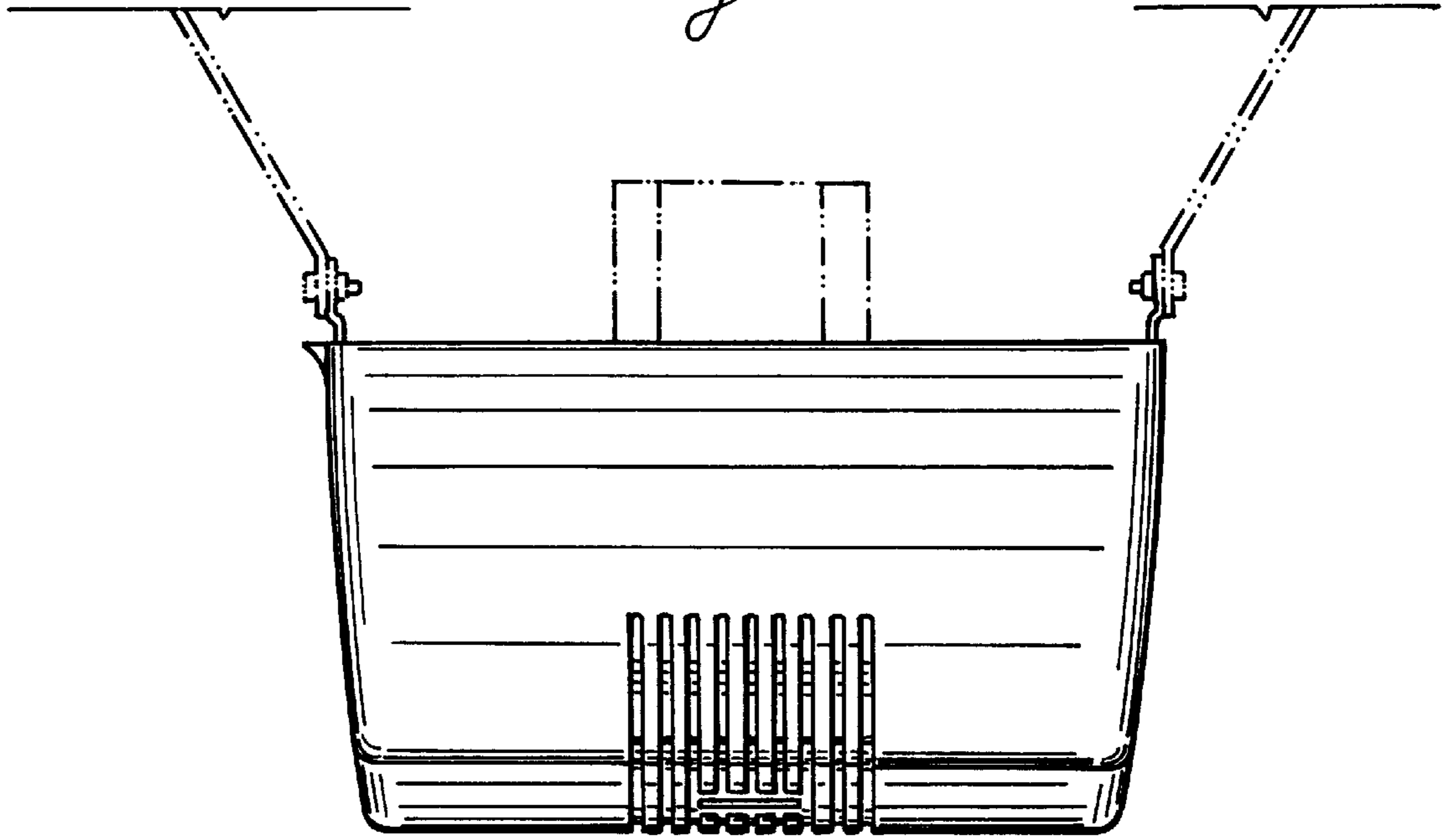


Fig. 7

