



US00D402295S

United States Patent [19]

Kayukawa et al.

[11] Patent Number: Des. 402,295

[45] Date of Patent: **Dec. 8, 1998

[54] COMPRESSOR PISTON

[75] Inventors: **Hiroaki Kayukawa; Masaki Ota; Osamu Hiramatsu; Kazuya Kimura; Takahiro Hamaoka; Kenji Takenaka**, all of Kariya, Japan

[73] Assignee: **Kabushiki Kaisha Toyoda Jidoshokki Seisakusho**, Kariya, Japan

[**] Term: **14 Years**

[21] Appl. No.: **64,157**

[22] Filed: **Dec. 23, 1996**

[30] Foreign Application Priority Data

Jun. 27, 1996	[JP]	Japan	8-19316
Jun. 27, 1996	[JP]	Japan	8-19317
Jun. 27, 1996	[JP]	Japan	8-19327
Jun. 27, 1996	[JP]	Japan	8-19331
Jun. 27, 1996	[JP]	Japan	8-19334
Jun. 27, 1996	[JP]	Japan	8-19335

[51] LOC (6) Cl. **11-01**

[52] U.S. Cl. **D15/9**

[58] Field of Search D15/5, 7-9; 417/545, 417/222.1, 209, 266, 273; 91/505

[56] References Cited

U.S. PATENT DOCUMENTS

D. 287,599	1/1987	Murry	D15/5
D. 371,562	7/1996	Rushfeldt	D15/7
2,587,182	2/1952	Livers	D15/7
2,649,842	8/1953	Caldwell et al.	D15/7

Primary Examiner—Ralf Seifert
Attorney, Agent, or Firm—Brooks Haidt Haffner & Delahunty

[57] CLAIM

The ornamental design for a compressor piston, as shown and described.

DESCRIPTION

FIG. 1 is a front elevational view of a compressor piston showing our new design;

FIG. 2 is a rear elevational view thereof;
 FIG. 3 is a top plan view thereof;
 FIG. 4 is a bottom plan view thereof;
 FIG. 5 is a right side elevational view thereof;
 FIG. 6 is a left side elevational view thereof;
 FIG. 7 is a perspective view thereof;
 FIG. 8 is a front elevational view of a compressor piston showing a second embodiment of our new design;
 FIG. 9 is a rear elevational view of FIG. 8;
 FIG. 10 is a top plan view of FIG. 8;
 FIG. 11 is a bottom plan view of FIG. 8;
 FIG. 12 is a right side elevational view of FIG. 8;
 FIG. 13 is a left side elevational view of FIG. 8;
 FIG. 14 is a perspective view of FIG. 8;
 FIG. 15 is a front elevational view of a compressor piston showing a third embodiment of our new design;
 FIG. 16 is a rear elevational view of FIG. 15;
 FIG. 17 is a top plan view of FIG. 15;
 FIG. 18 is a bottom plan view of FIG. 15;
 FIG. 19 is a right side elevational view of FIG. 15;
 FIG. 20 is a left side elevational view of FIG. 15;
 FIG. 21 is a perspective view of FIG. 15;
 FIG. 22 is a front elevational view of a compressor piston showing a fourth embodiment of our new design;
 FIG. 23 is a rear elevational view of FIG. 22;
 FIG. 24 is a top elevational view of FIG. 22;
 FIG. 25 is a bottom plan view of FIG. 22;
 FIG. 26 is a right side elevational view of FIG. 22;
 FIG. 27 is a left side elevational view of FIG. 22;
 FIG. 28 is a perspective view of FIG. 22; and,
 FIG. 29 is a side elevational view of the compressor piston of FIG. 1, shown in a position of use, wherein the broken line showing of a compressor is for illustrative purposes only and forms no part of the claimed design.

1 Claim, 9 Drawing Sheets

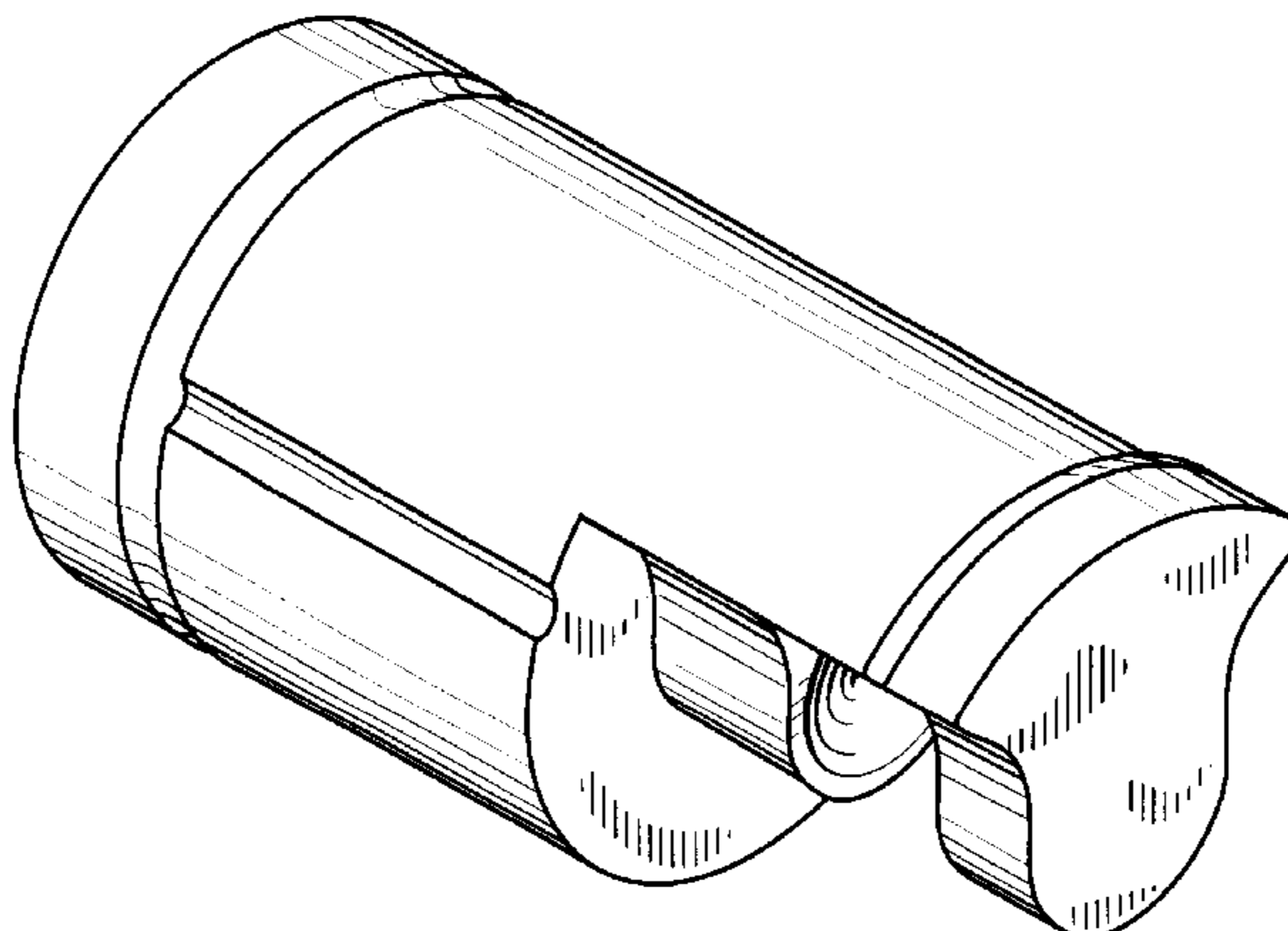


FIG. 1

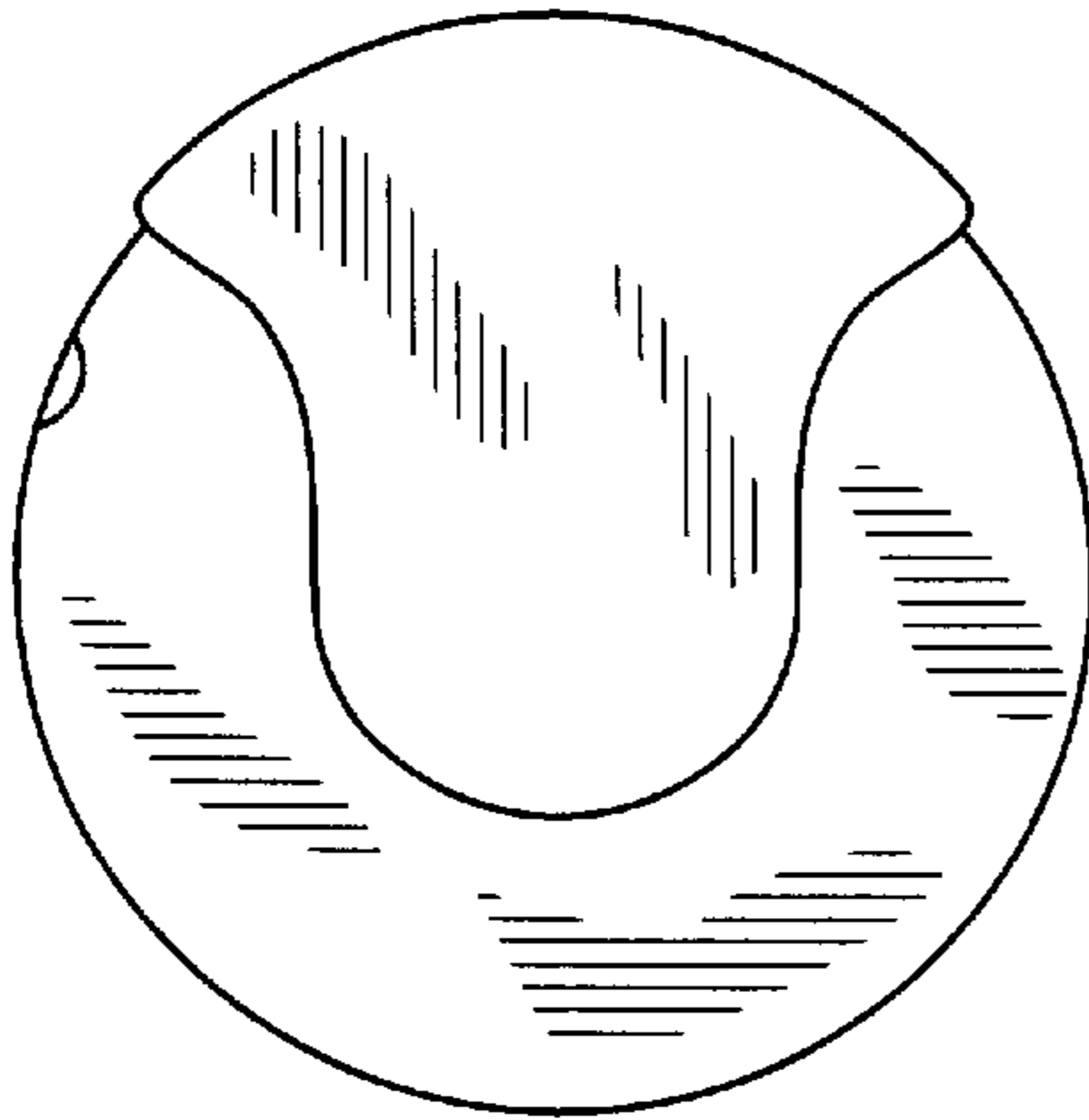


FIG. 2

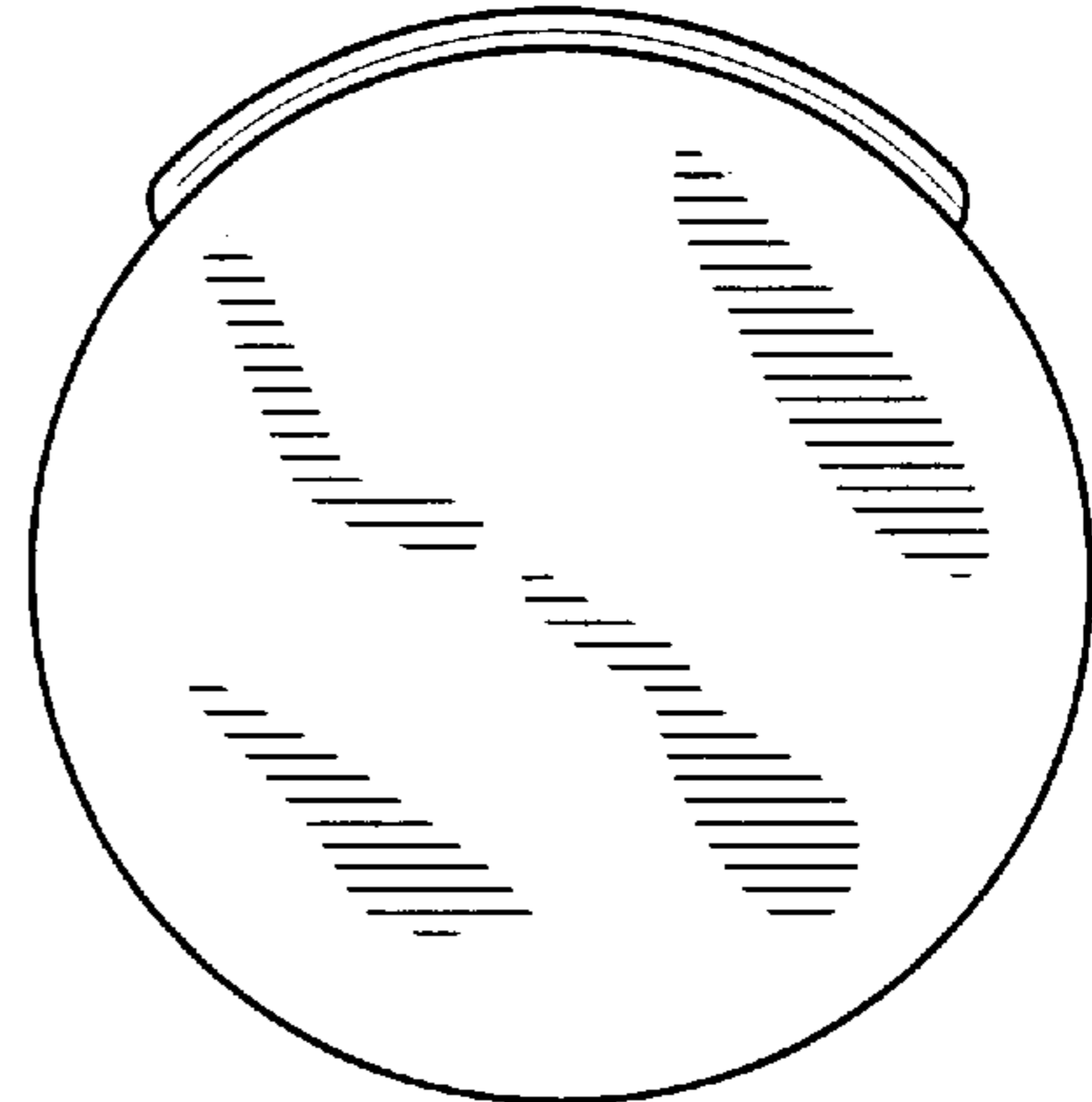


FIG. 3

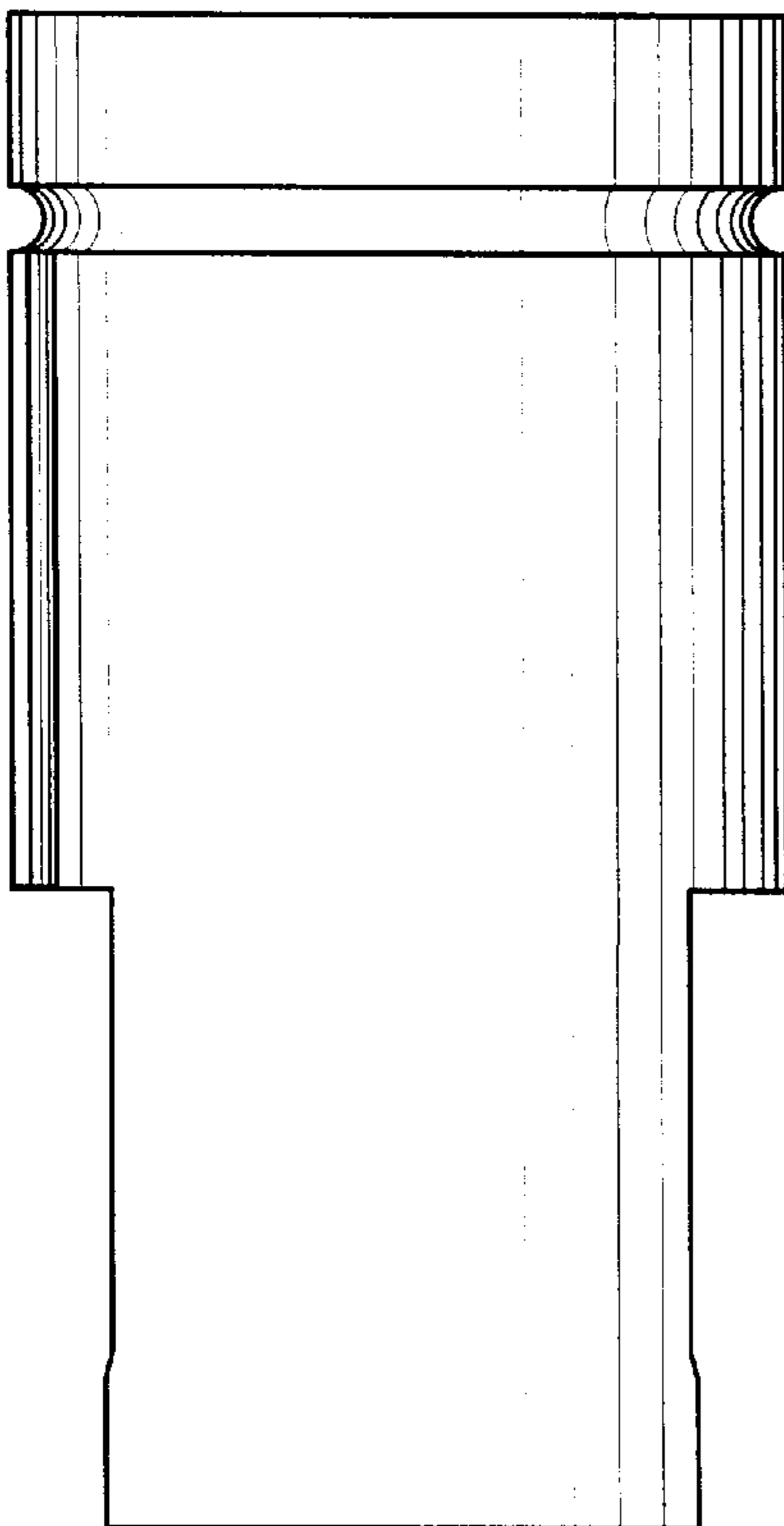


FIG. 4

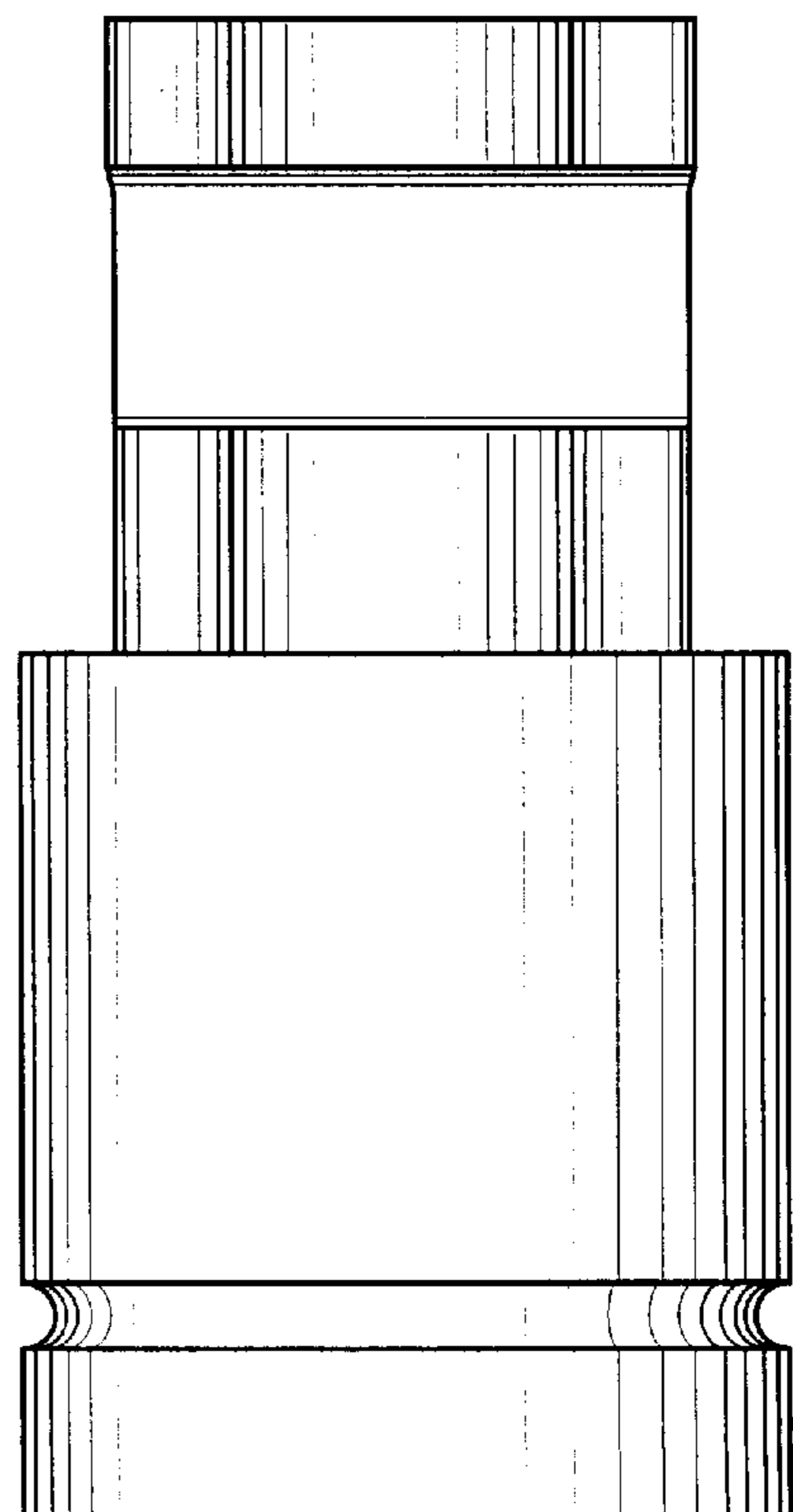


FIG. 5

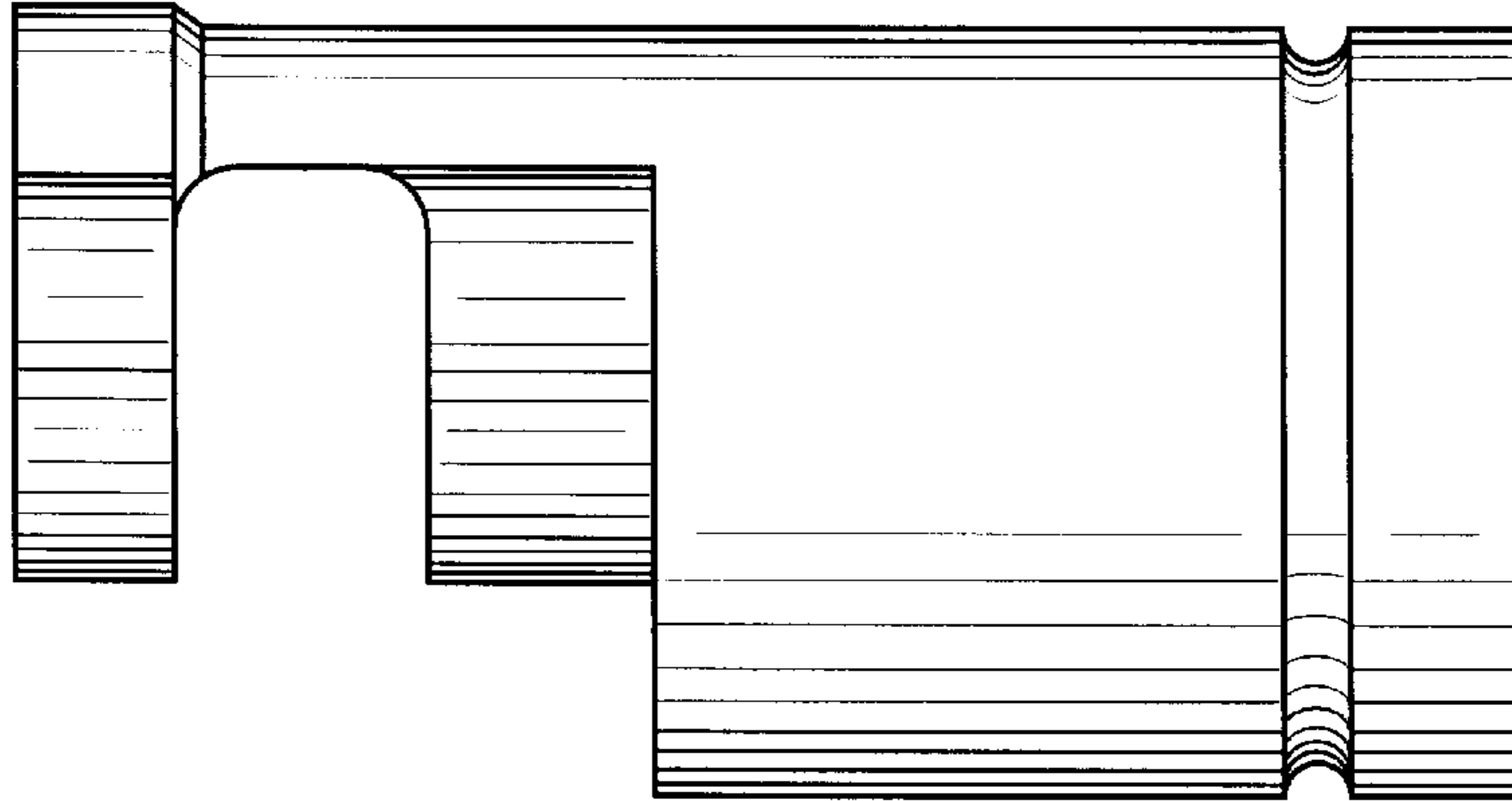


FIG. 6

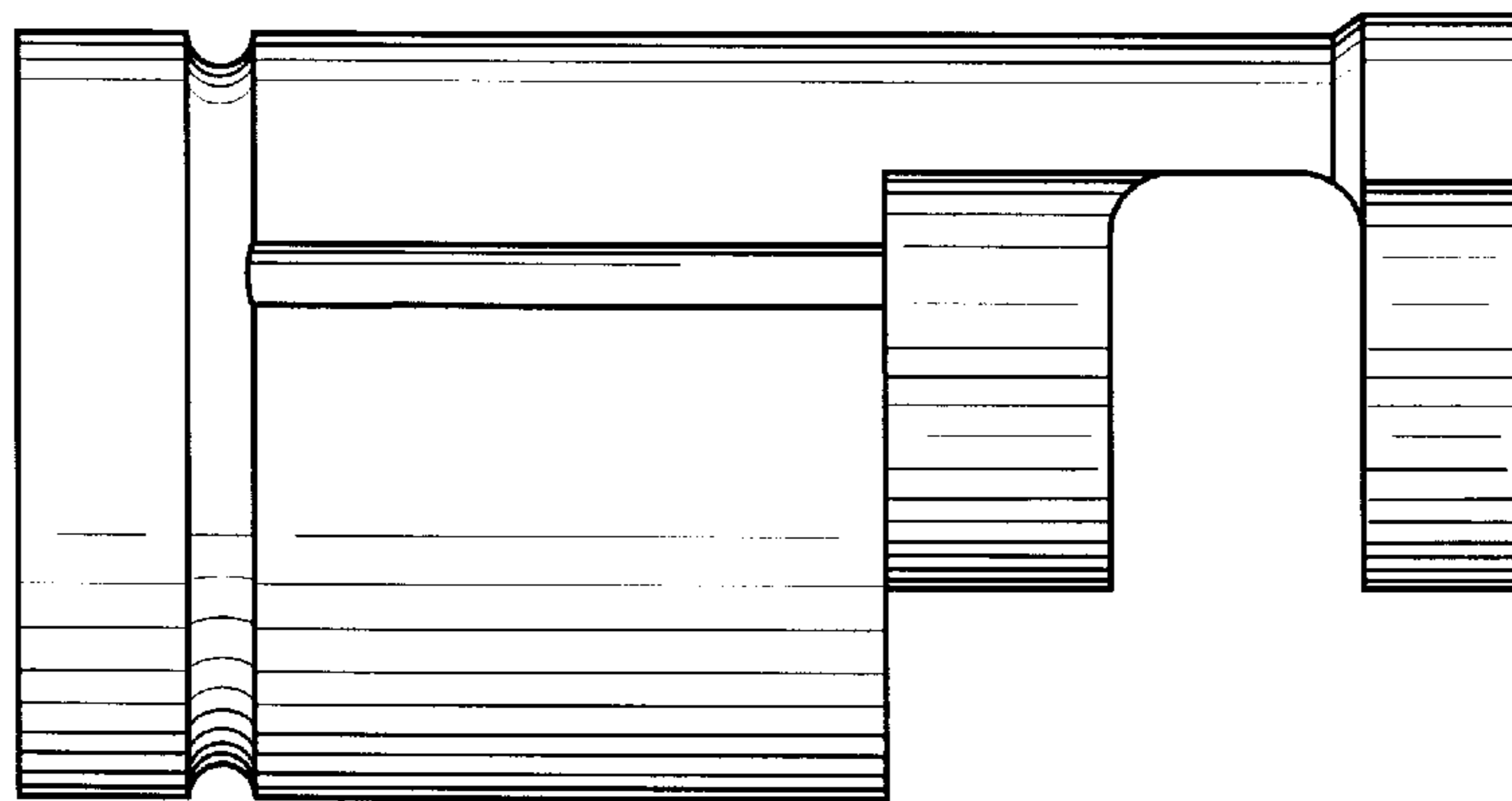


FIG. 7

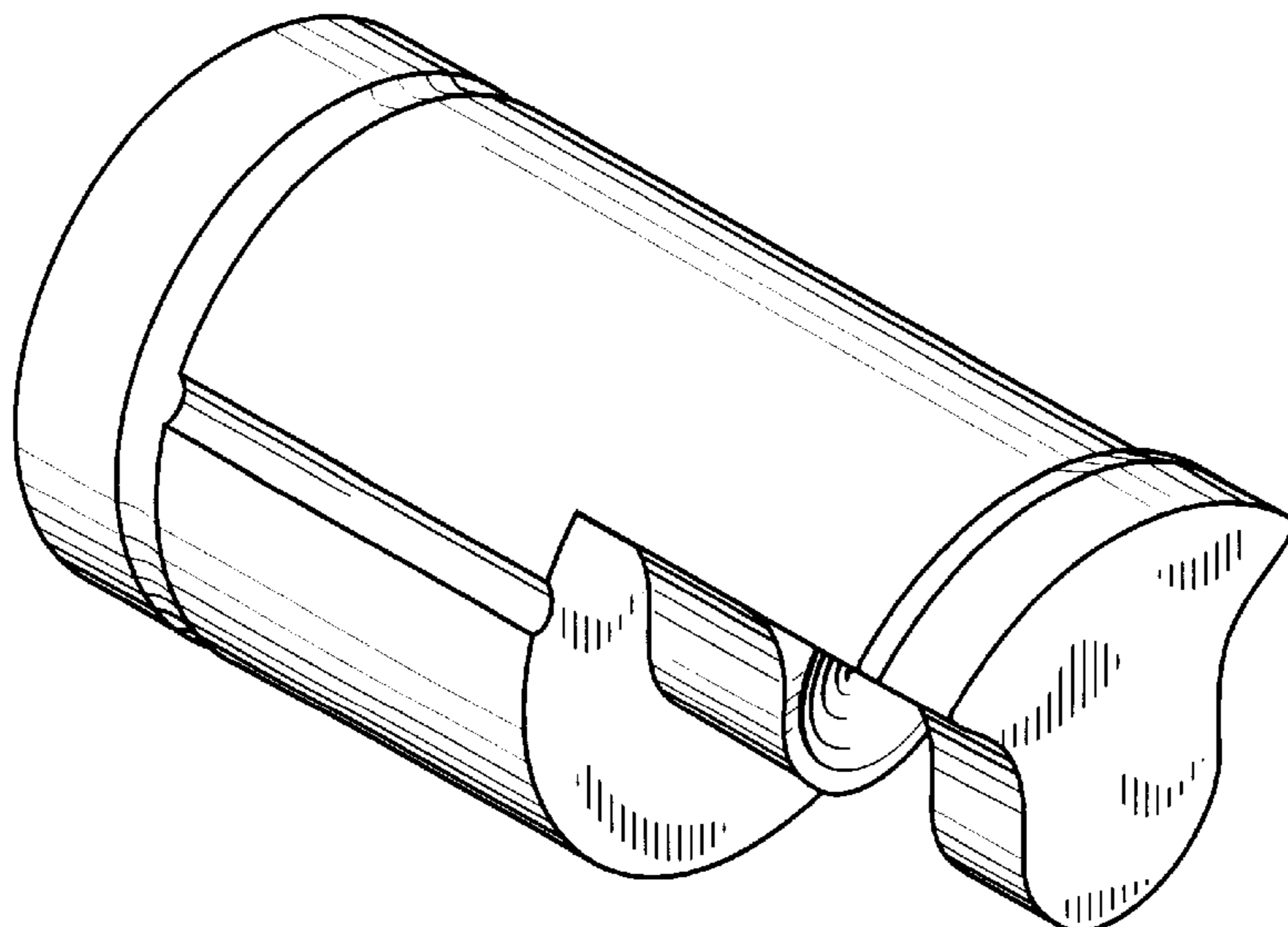


FIG. 8

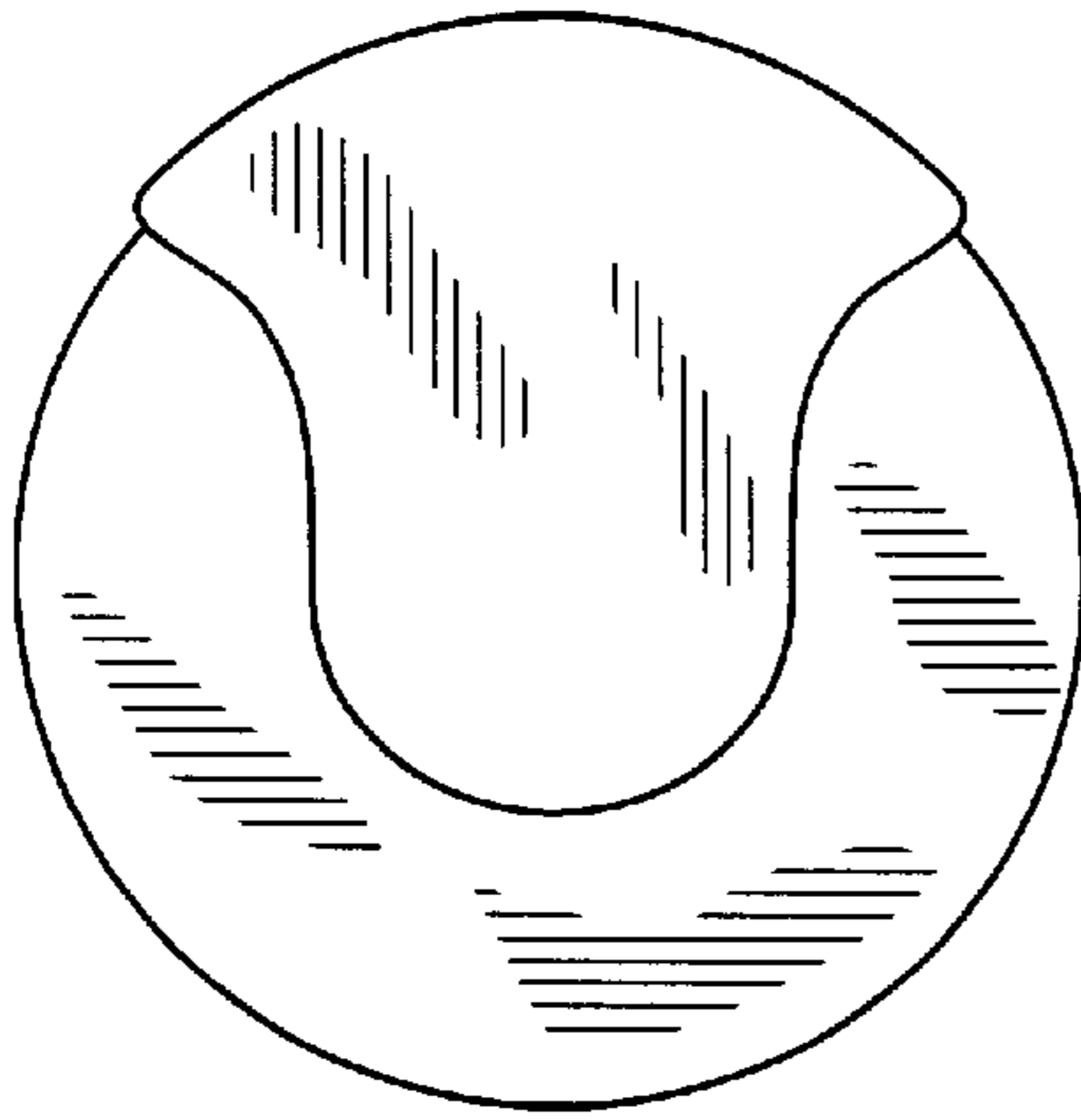


FIG. 9

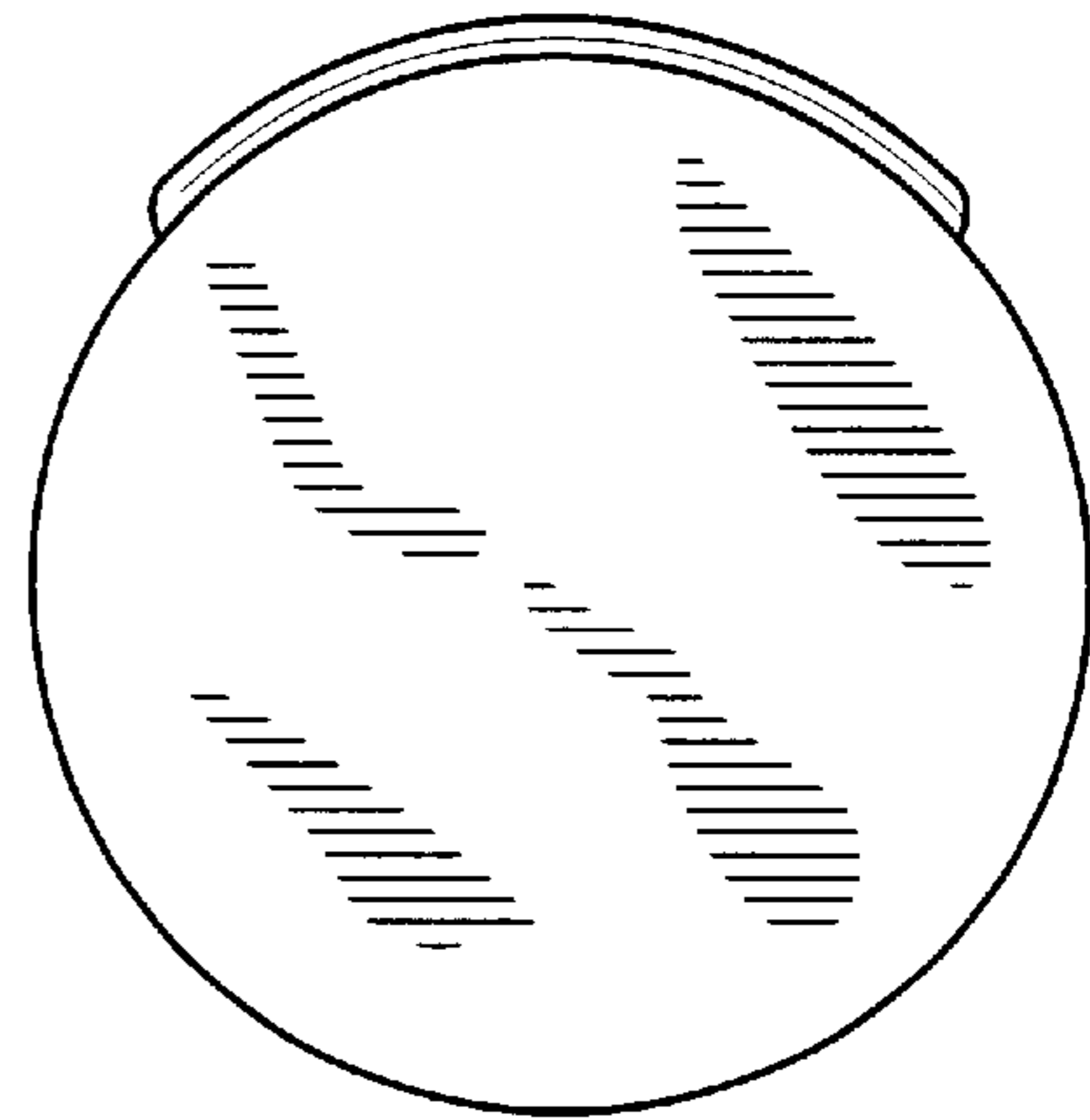


FIG. 10

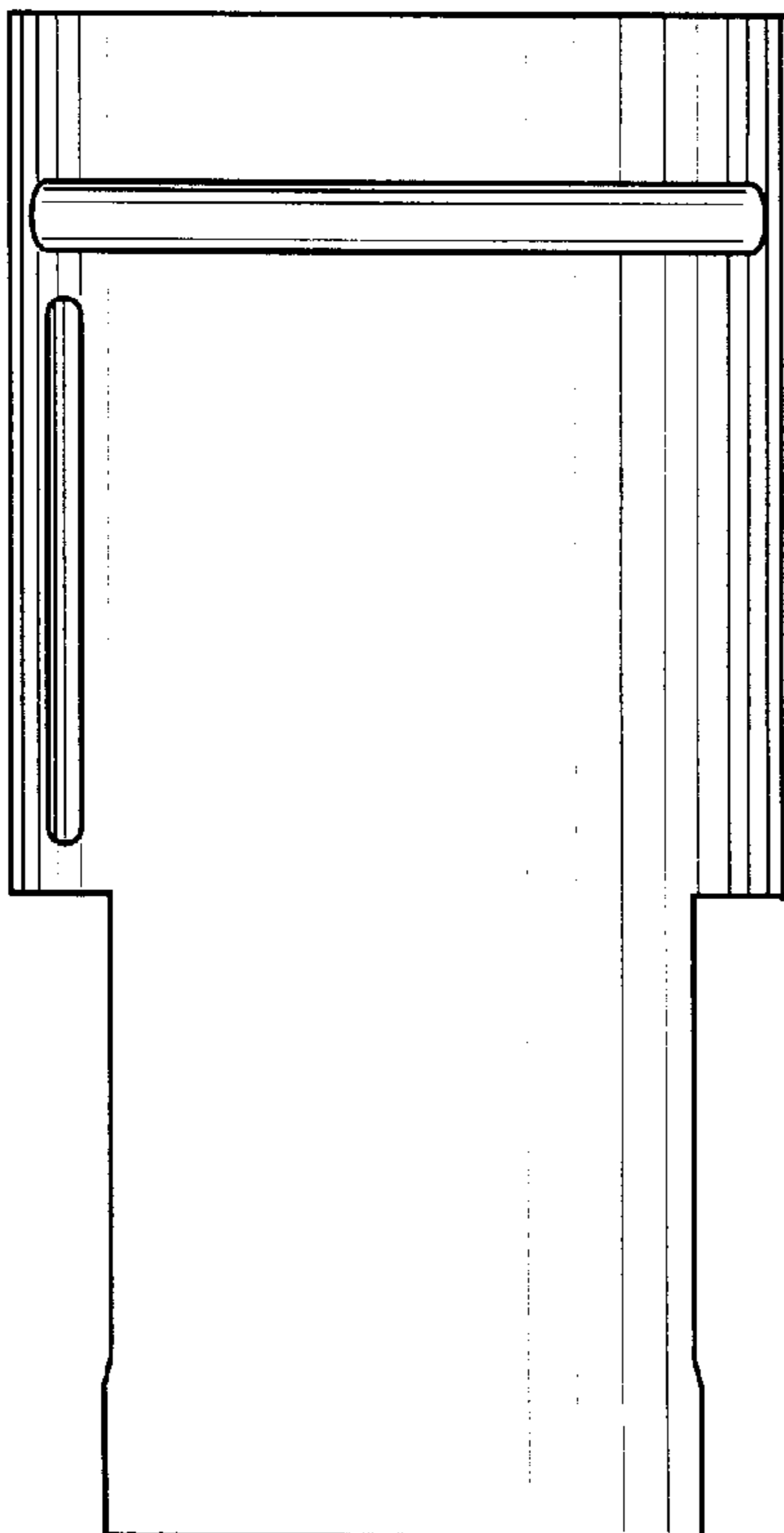


FIG. 11

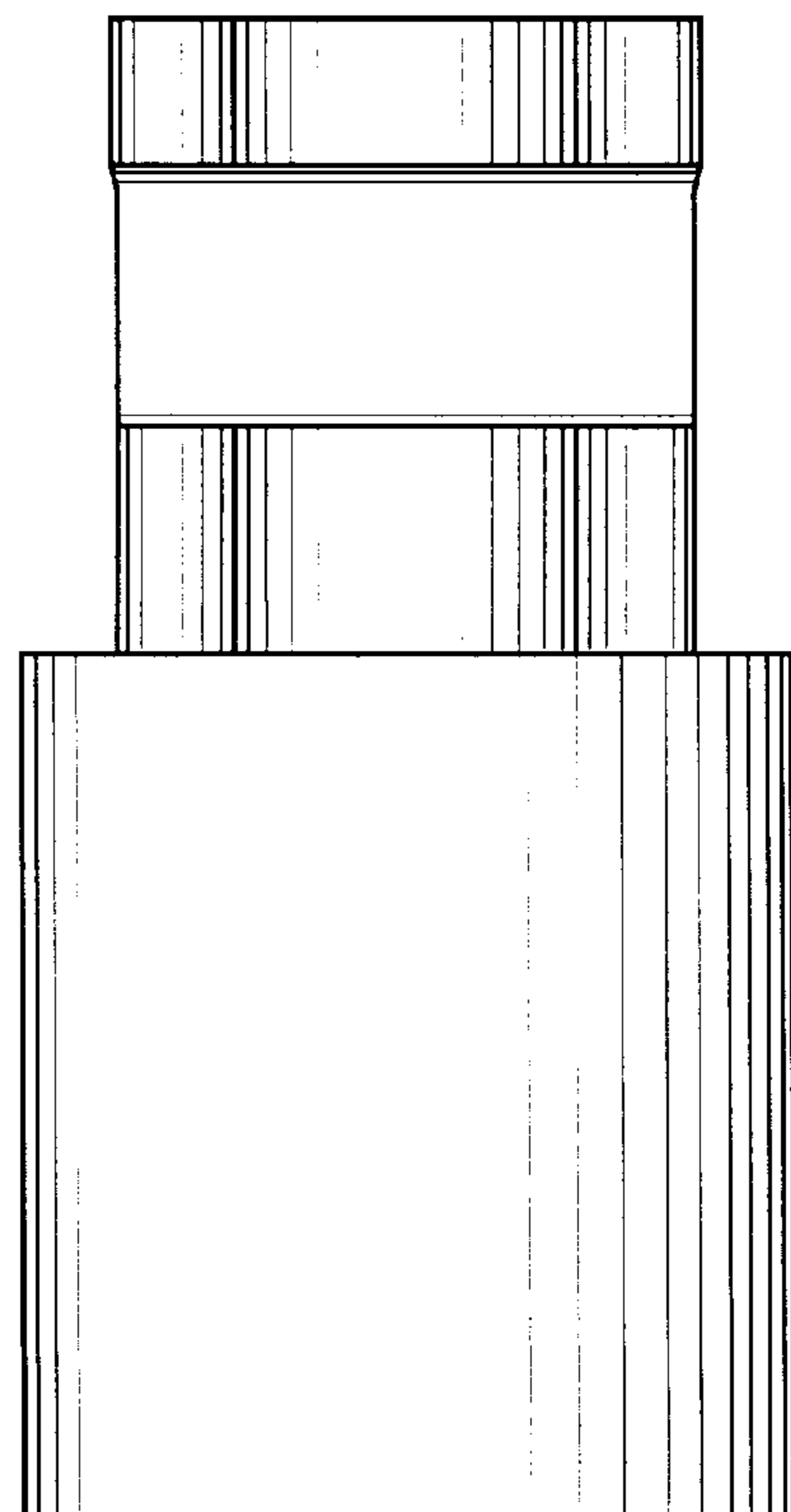


FIG. 12

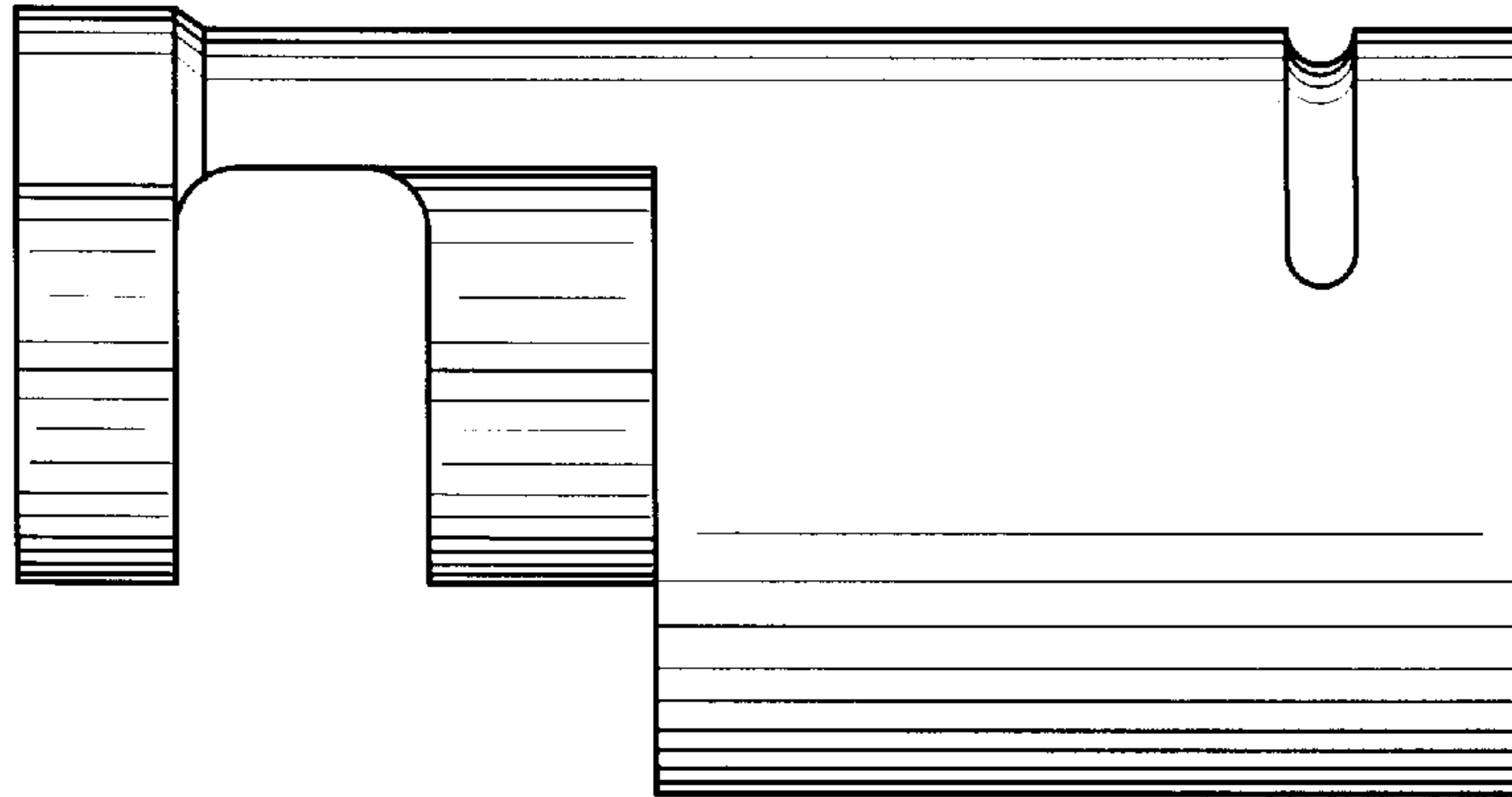


FIG. 13

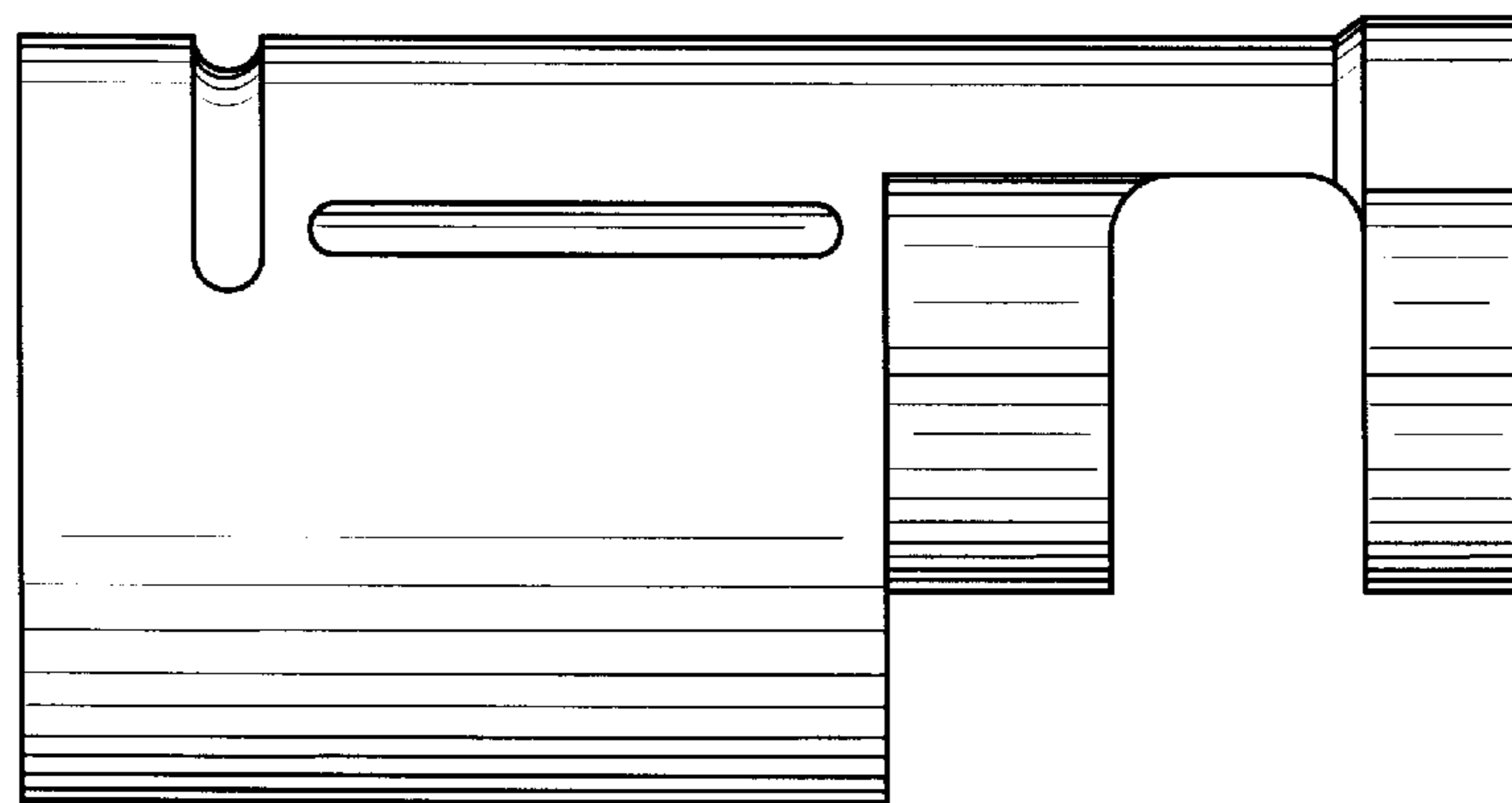


FIG. 14

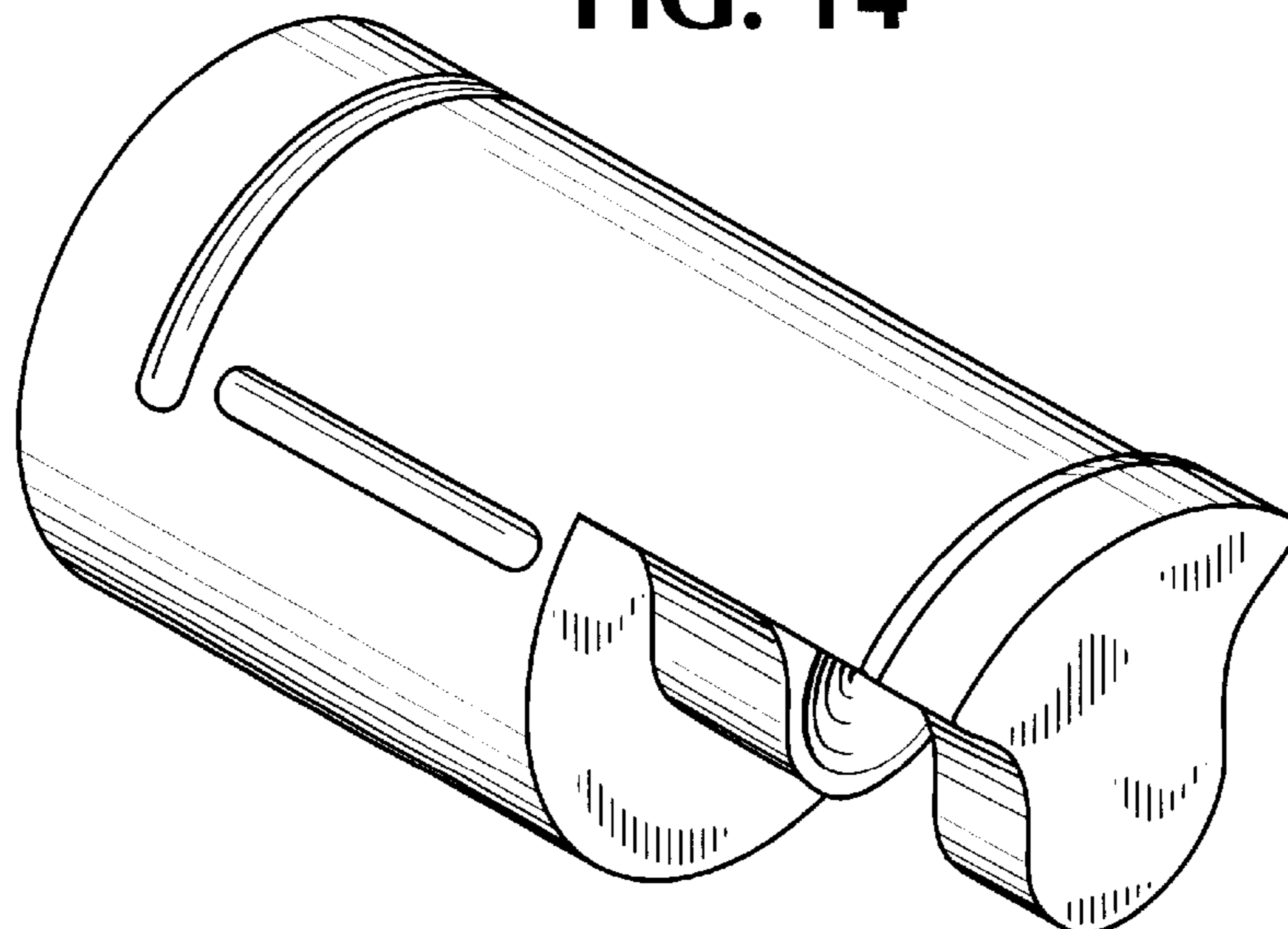


FIG. 15

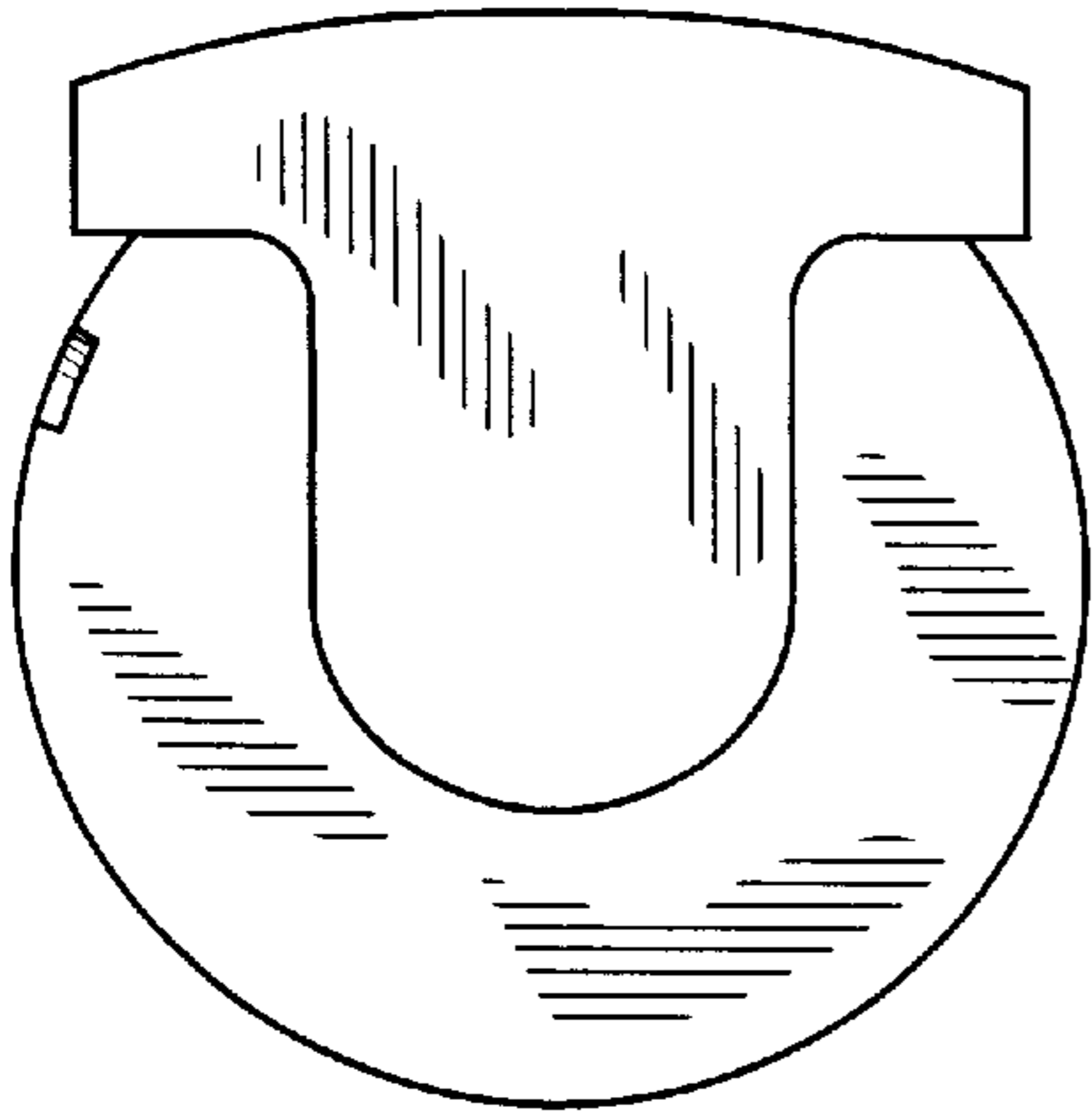


FIG. 16

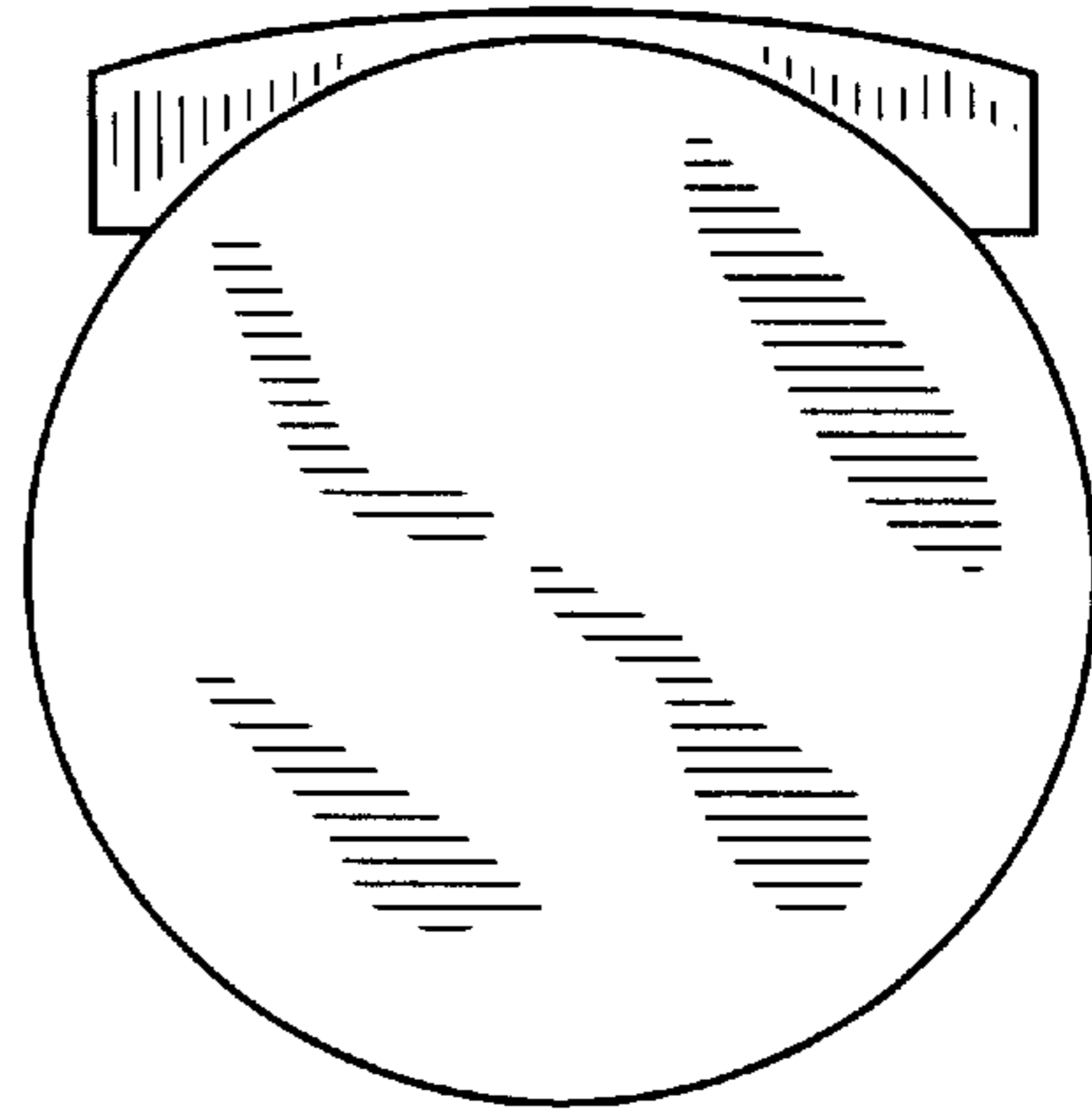


FIG. 17

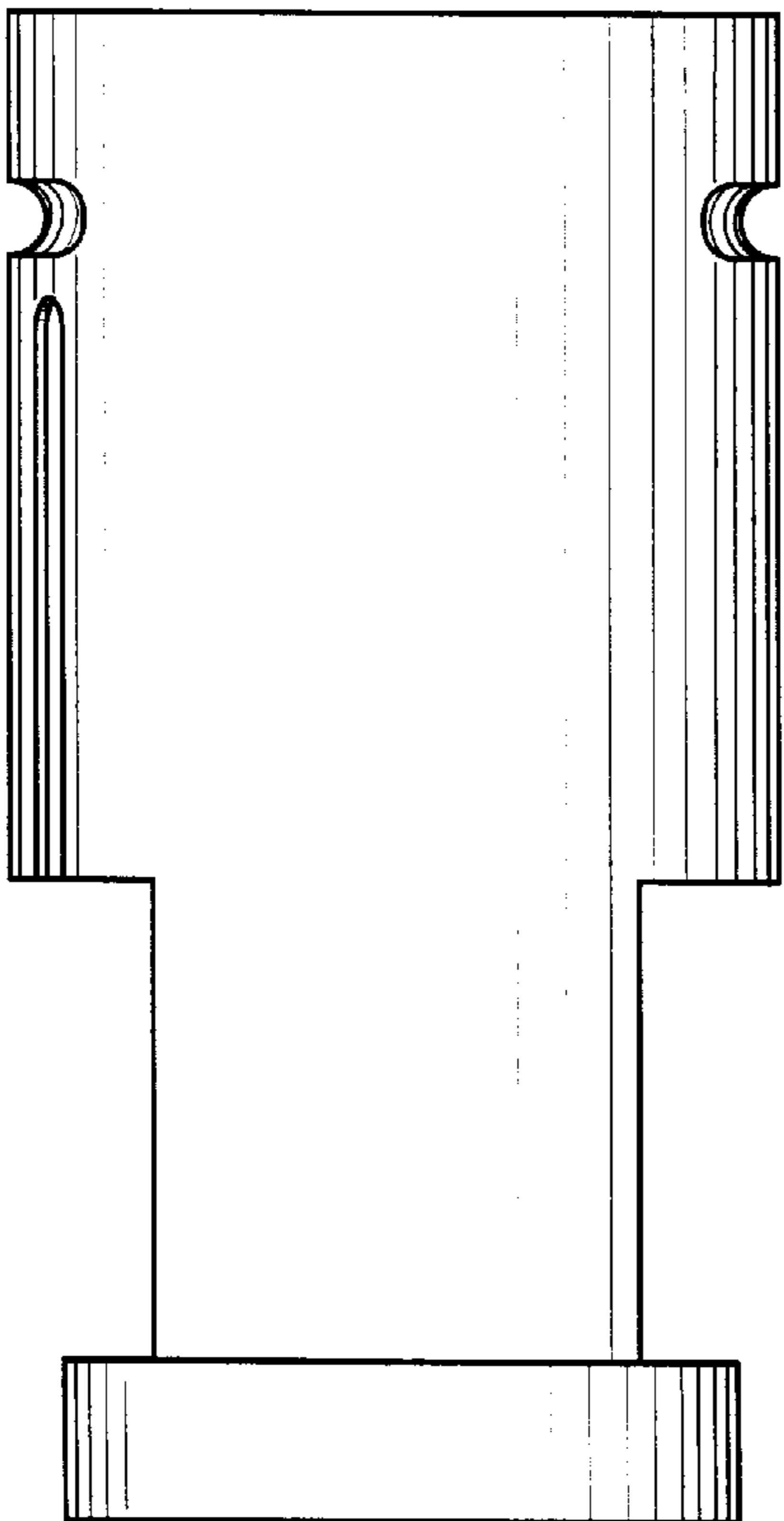


FIG. 18

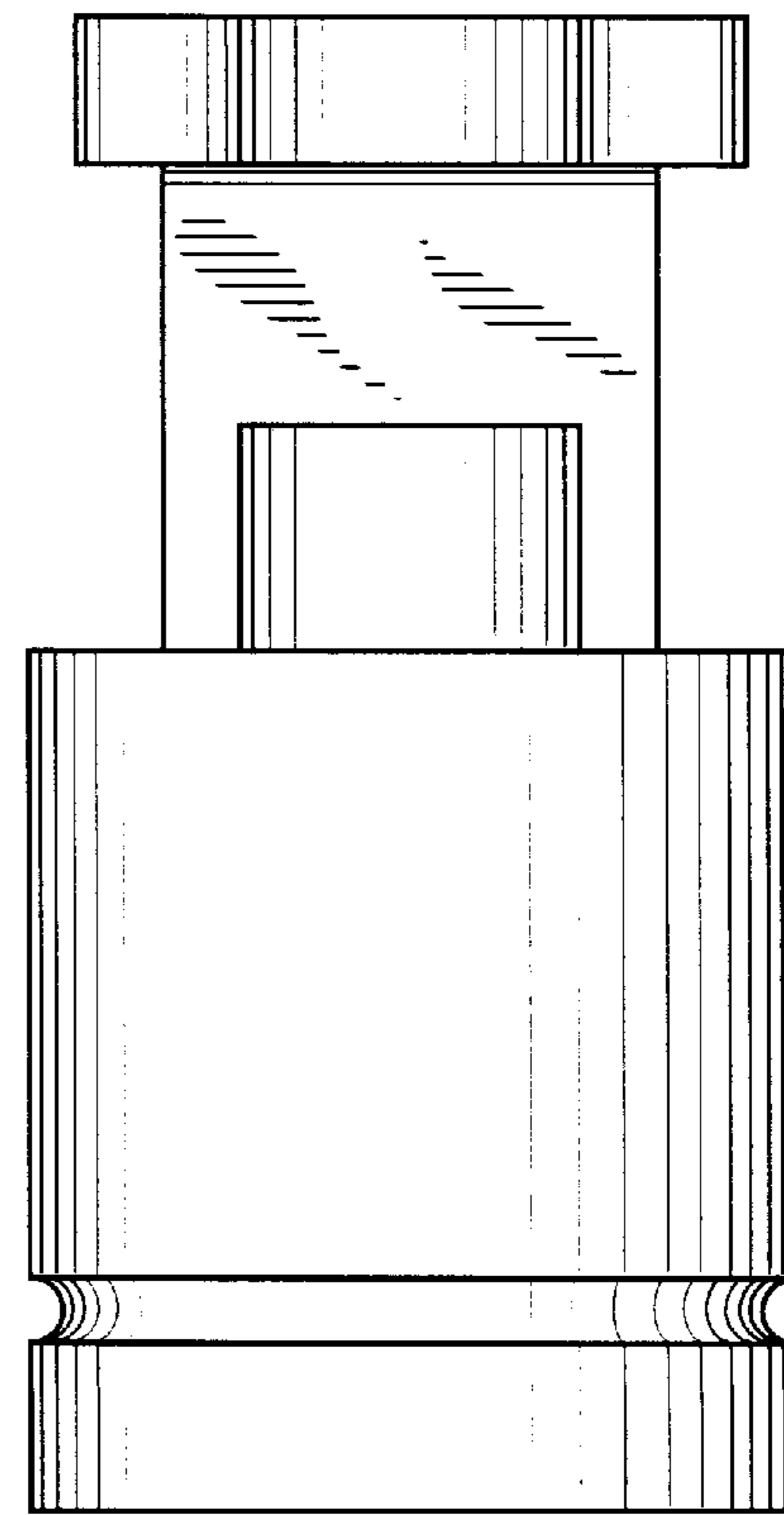


FIG. 19

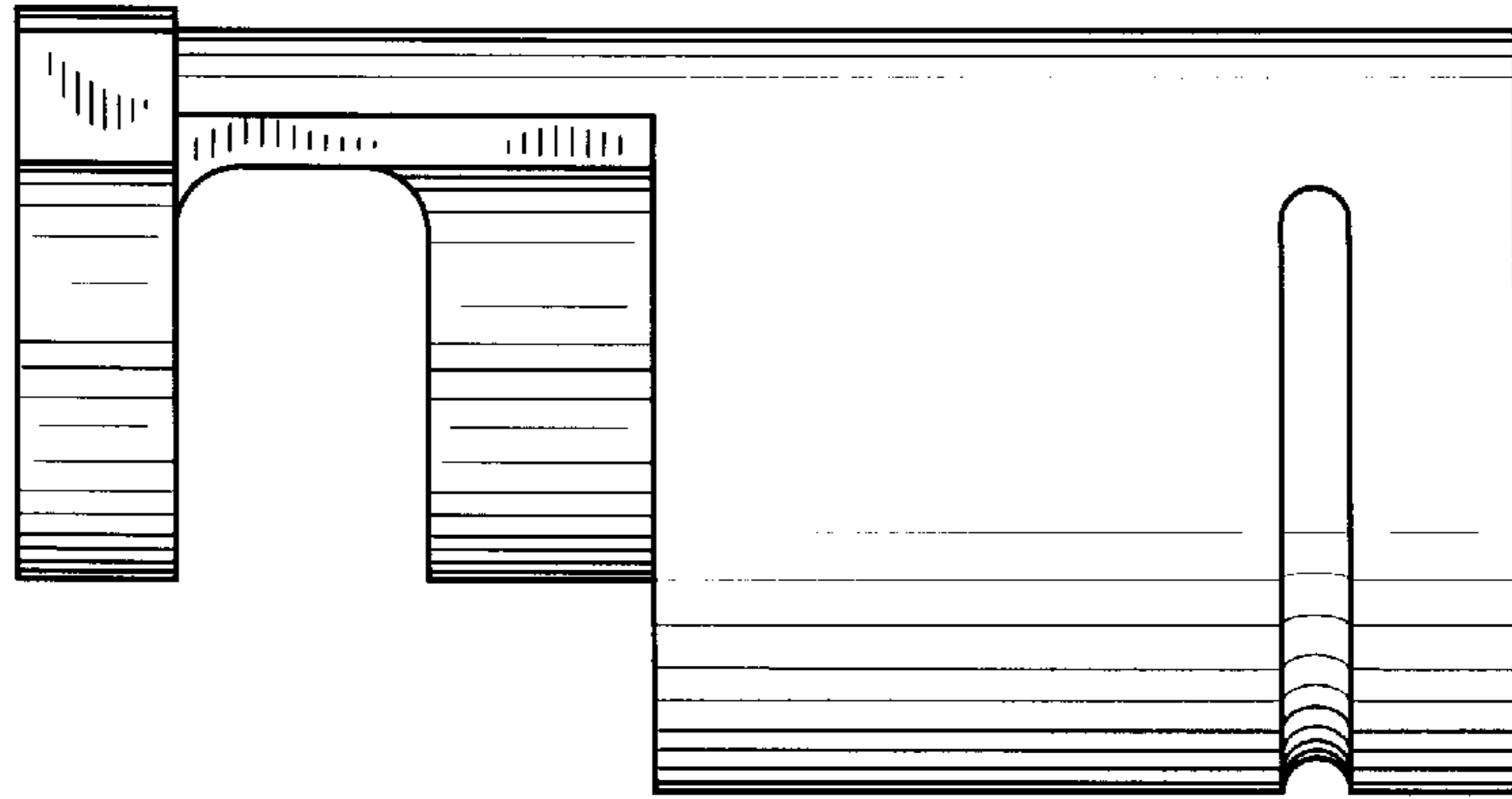


FIG. 20

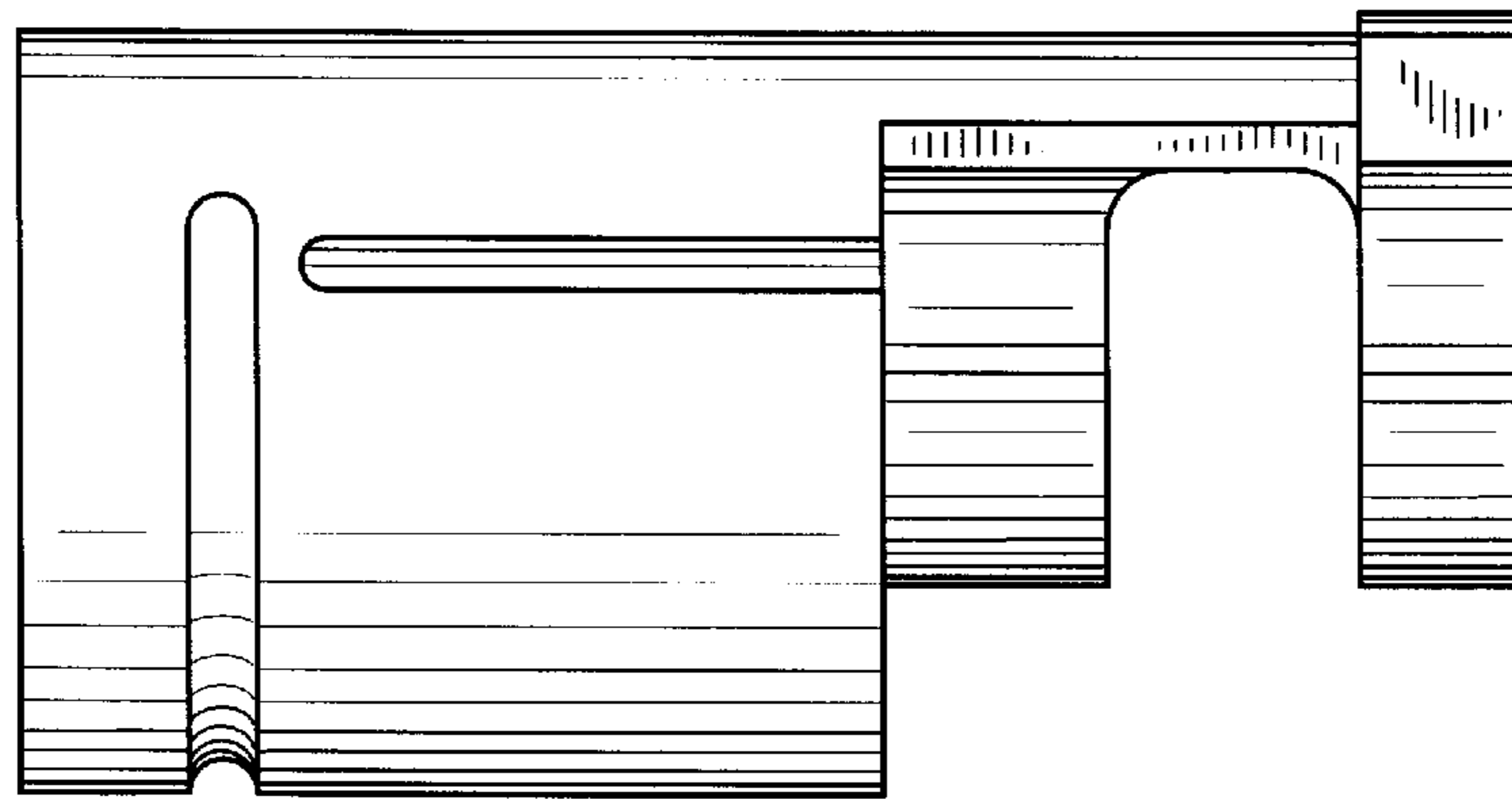


FIG. 21

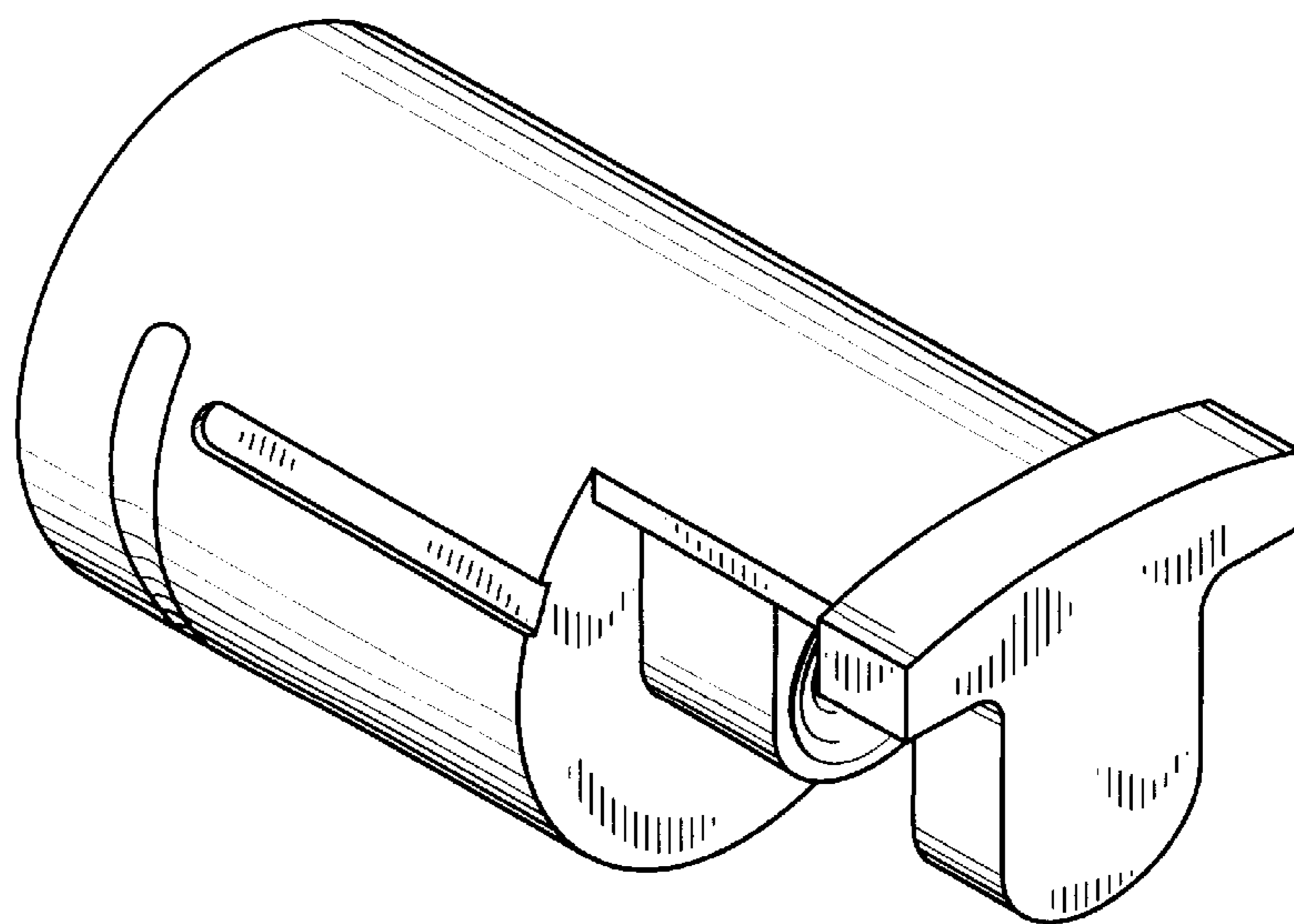


FIG. 22

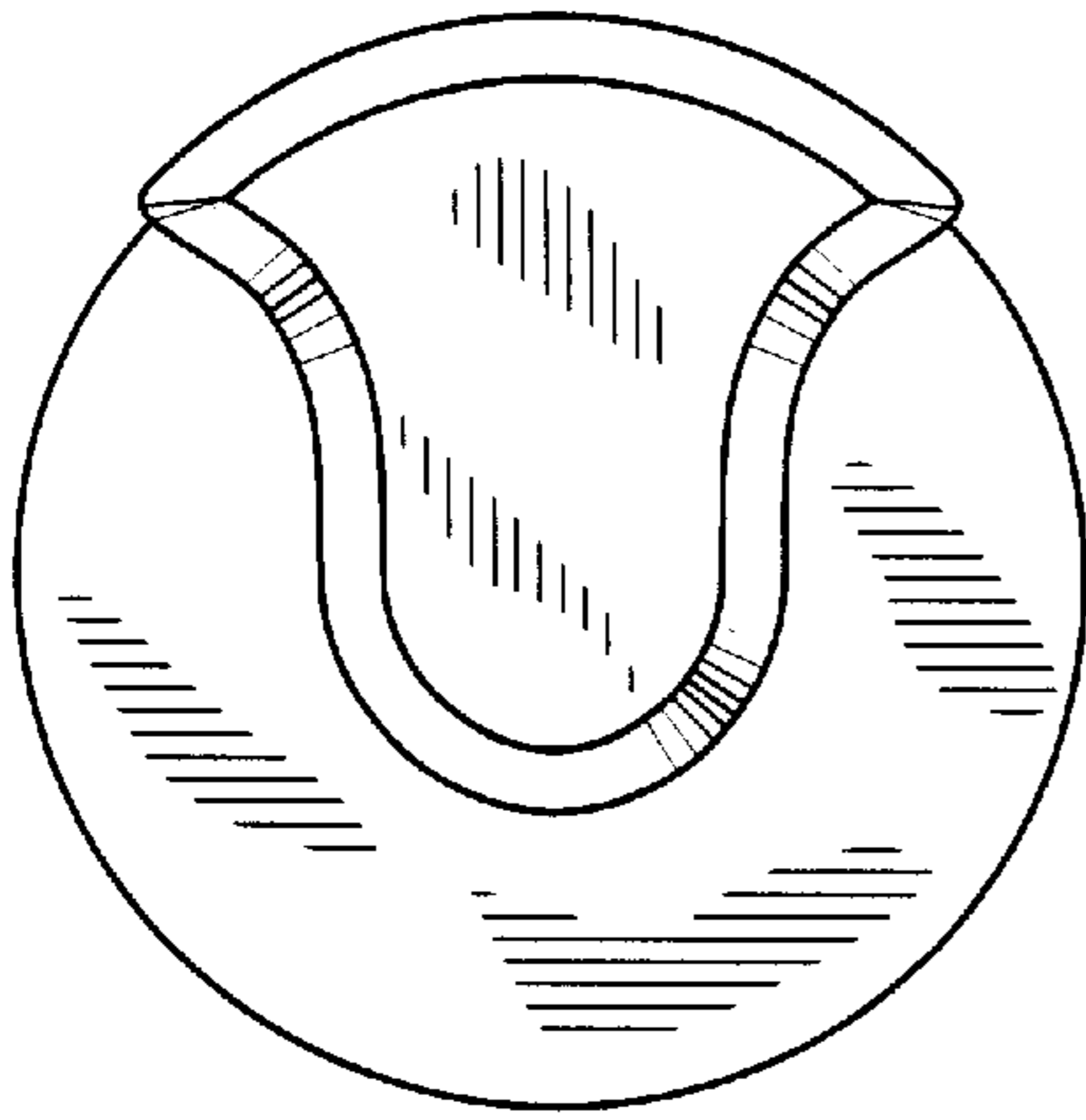


FIG. 23

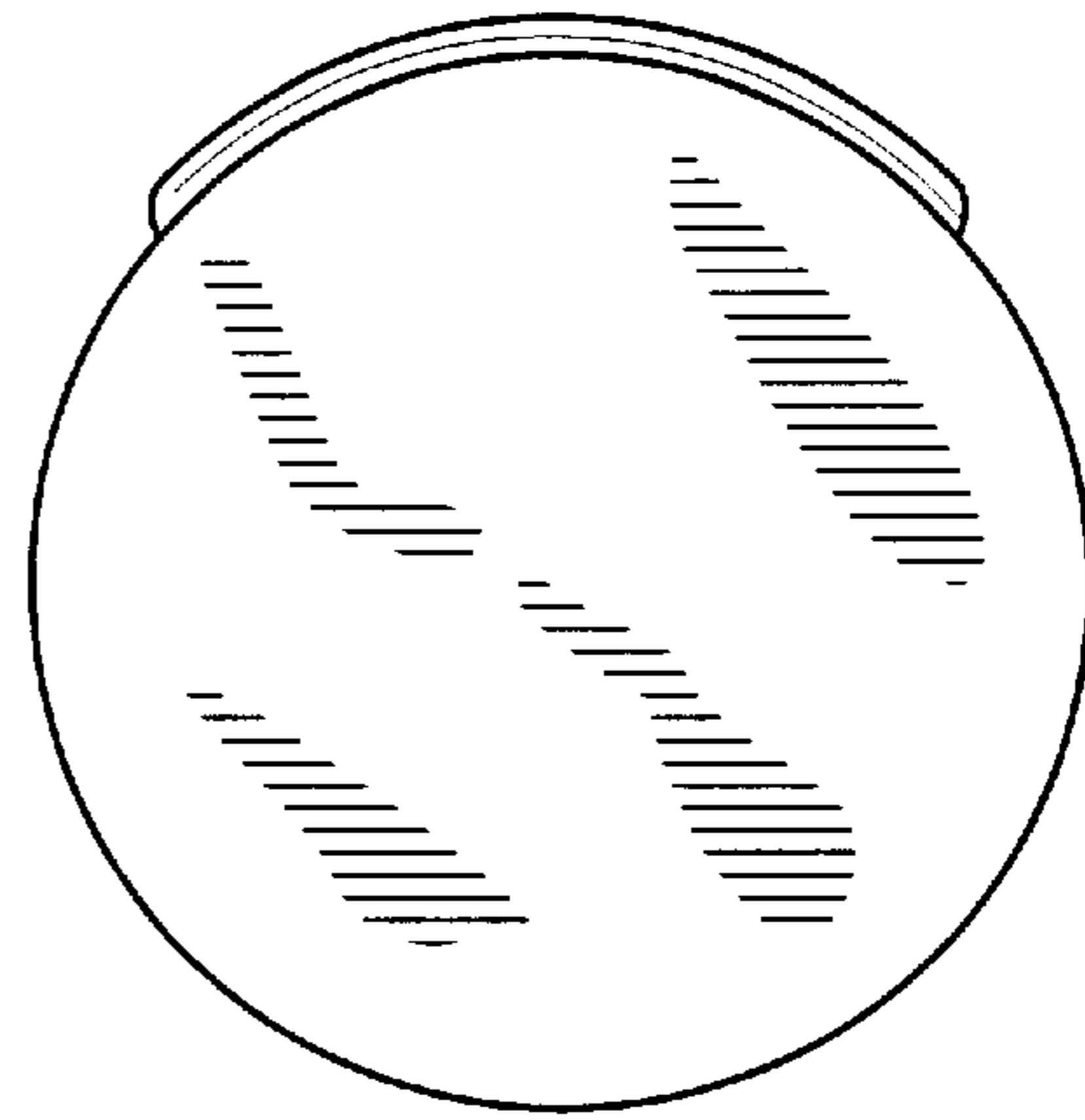


FIG. 24

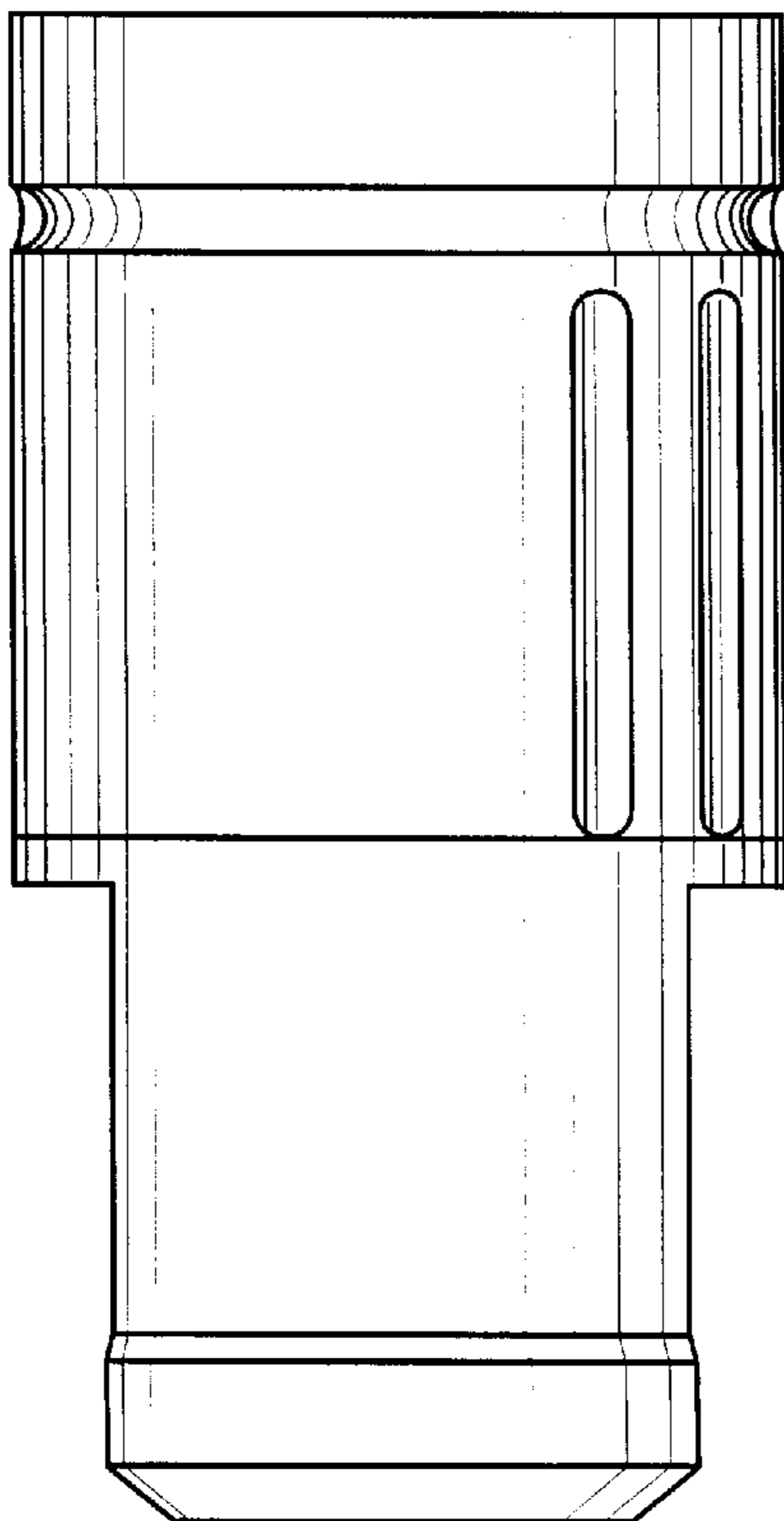


FIG. 25

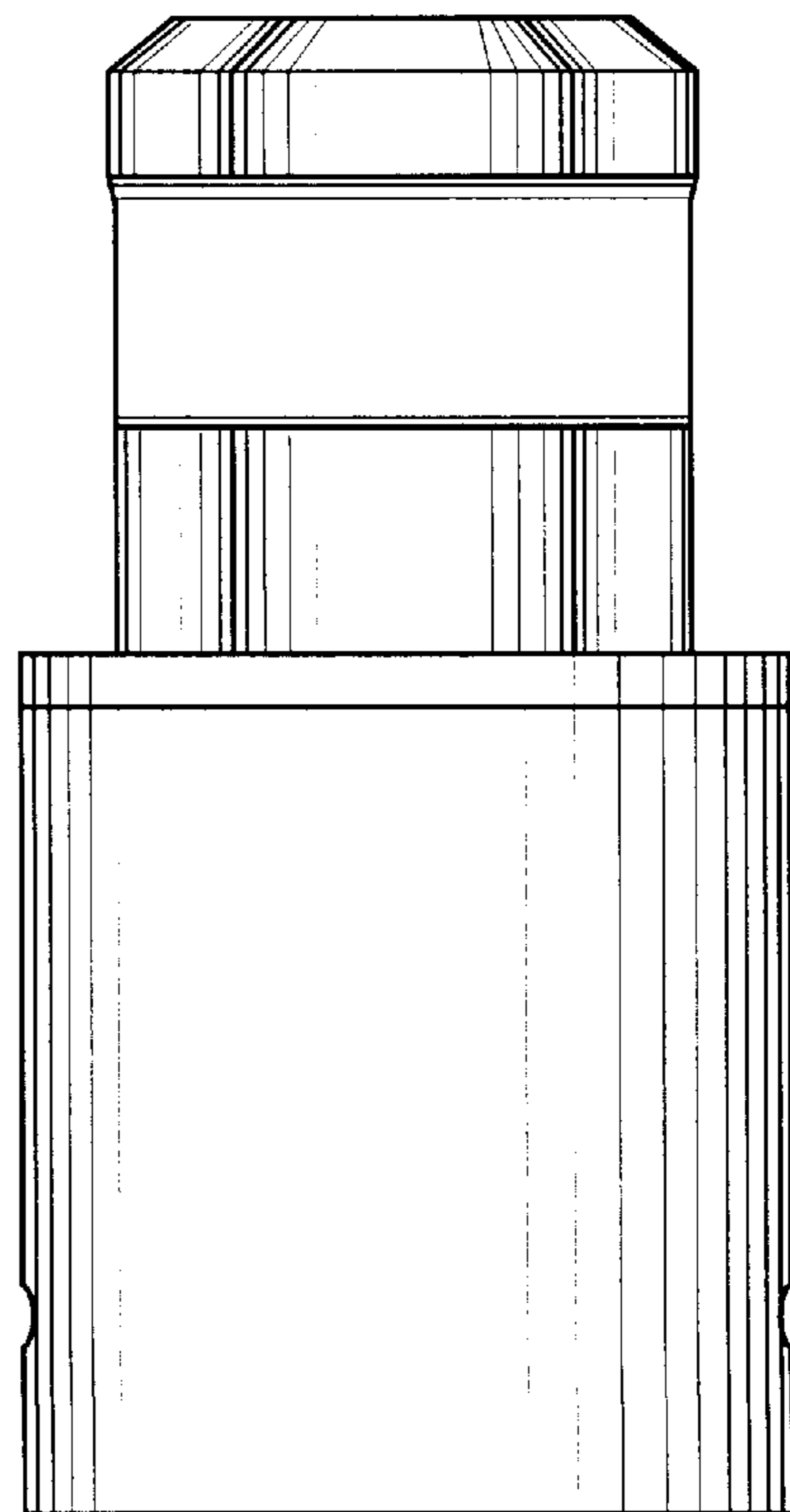


FIG. 26

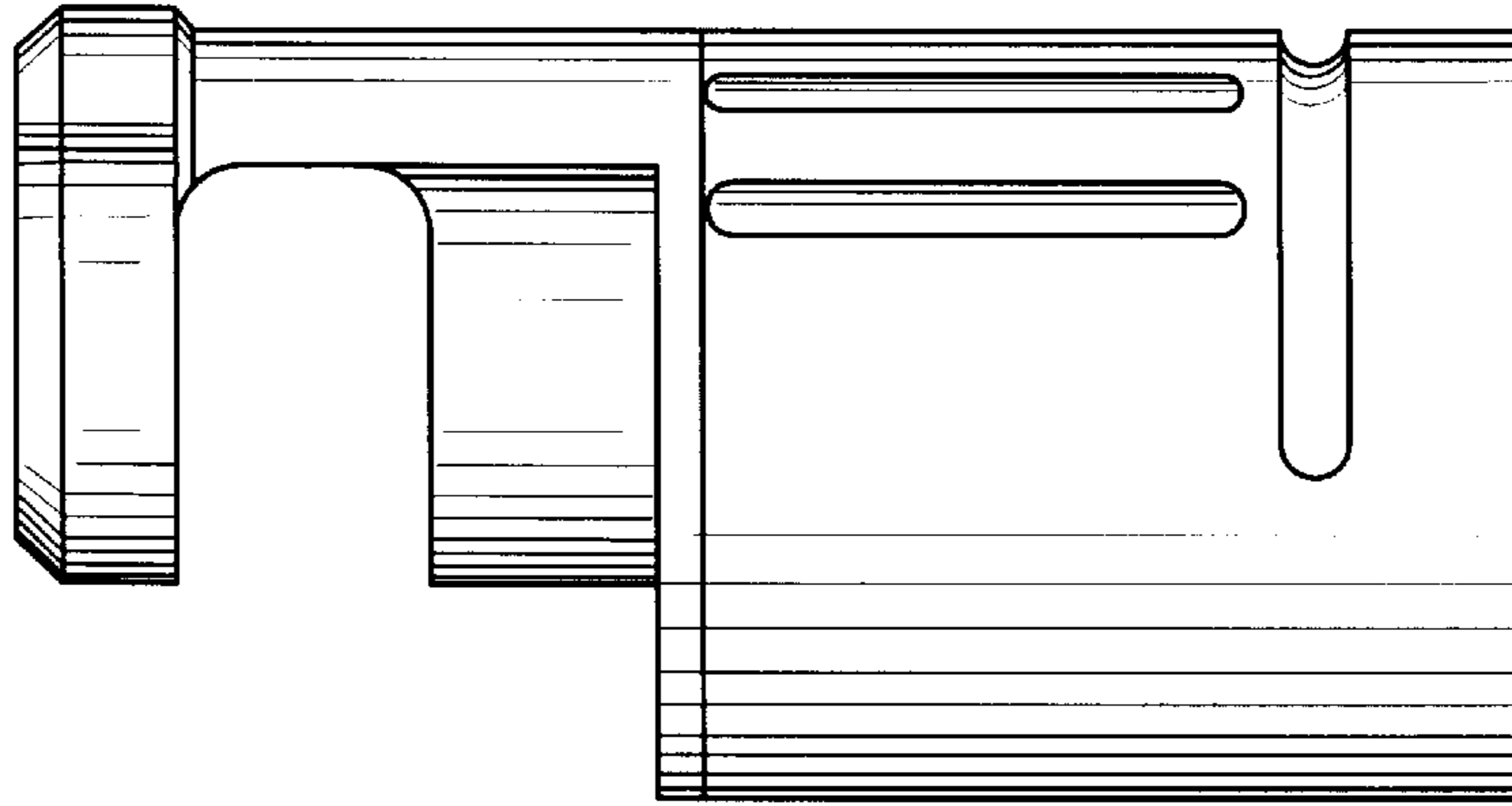


FIG. 27

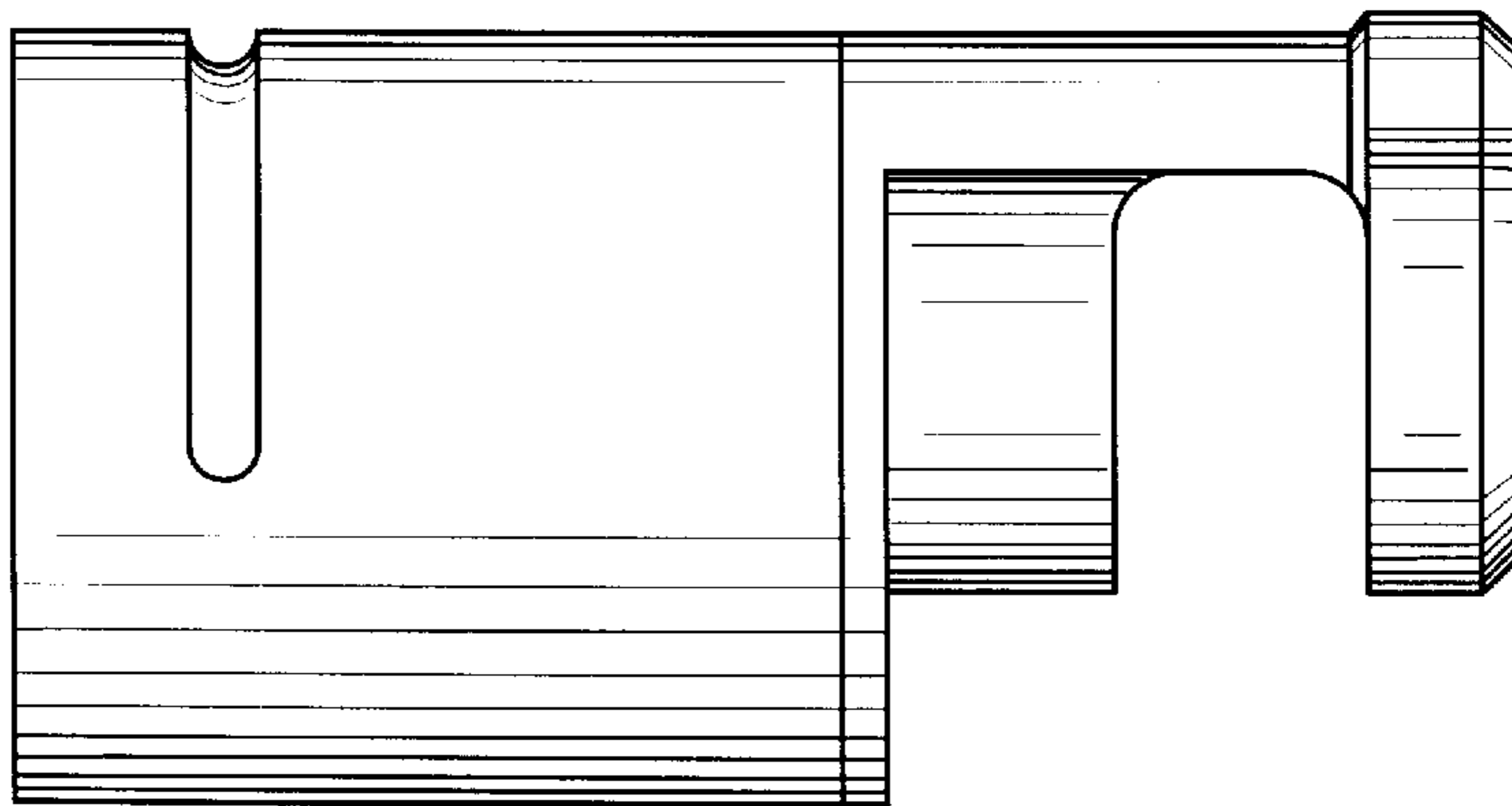


FIG. 28

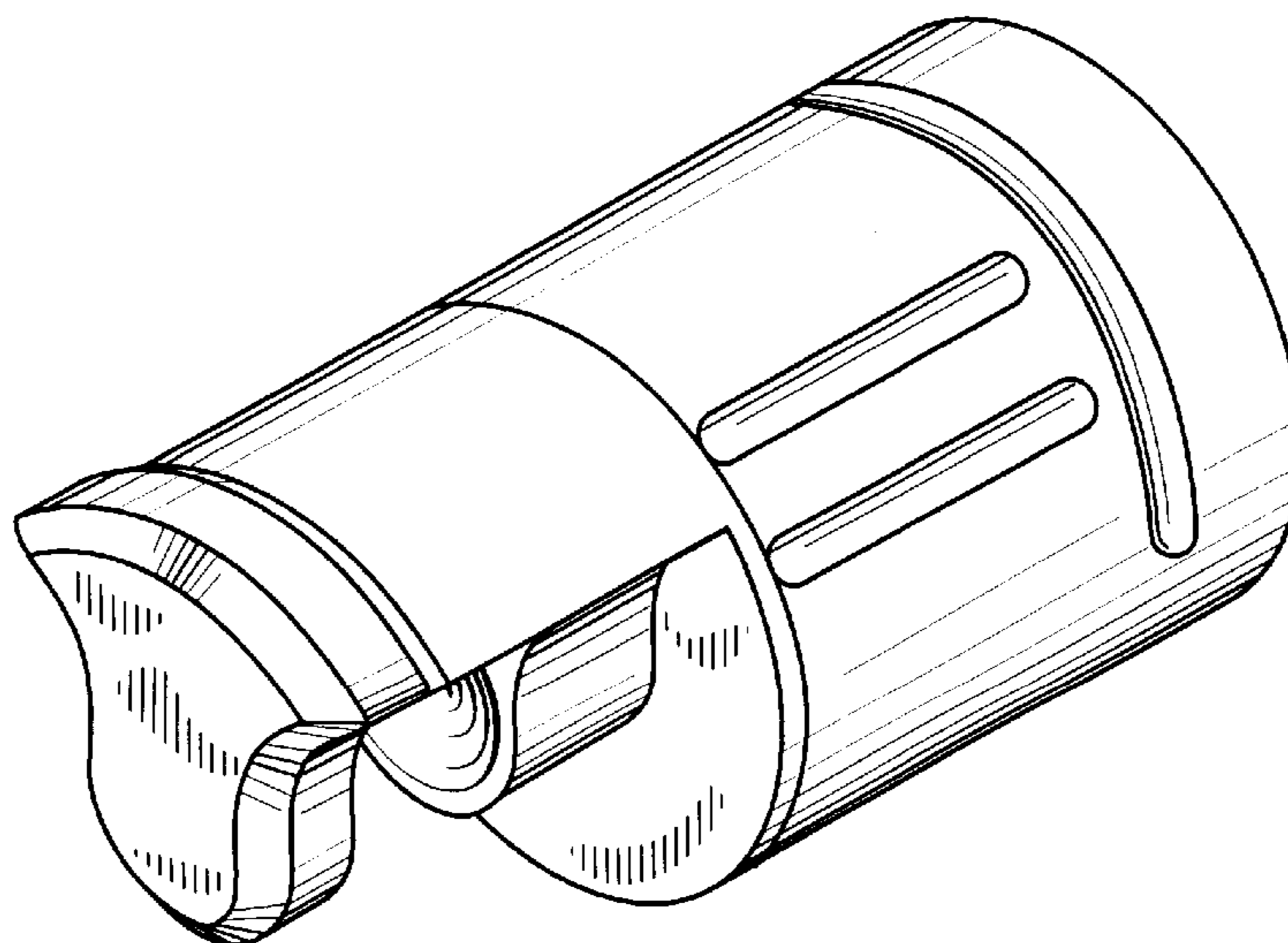


FIG. 29

