



US00D402294S

# United States Patent [19] Slappey

[11] **Patent Number: Des. 402,294**

[45] **Date of Patent: \*\*Dec. 8, 1998**

[54] **PHONE HOLDING HEADSET FOR HEAD MOUNTING OF A PHONE**

[76] Inventor: **Arnold R. Slappey**, 2041 Sitsler La., College Park, Ga. 30349

[\*\*] Term: **14 Years**

[21] Appl. No.: **58,476**

[22] Filed: **Aug. 15, 1996**

[51] **LOC (6) Cl. .... 14-03**

[52] **U.S. Cl. .... D14/253; D14/223**

[58] **Field of Search .... D14/140, 142, D14/240, 251, 253, 205, 206, 223, 138; D8/394, 72; 379/454, 455, 430, 419, 420, 428, 440; 455/90; 381/183**

[56] **References Cited**

**U.S. PATENT DOCUMENTS**

D. 235,612	7/1975	Daniels	.....	D8/72
D. 277,165	1/1985	Devroom	.....	D8/72
D. 299,643	1/1989	Kubota	.....	D14/223 X
D. 327,265	6/1992	Jasey	.....	D14/138
D. 333,306	2/1993	Ferraro	.....	D14/251

1,447,969	3/1923	Dietrich	.....	379/430
2,487,787	11/1949	Brown	.....	379/430
3,091,670	5/1963	Hall	.....	D14/253 X
4,048,453	9/1977	Seidel	.....	379/455

**OTHER PUBLICATIONS**

David Clark Co. Catalog Inc., p. 5, item H7091, Jul. 1988.

*Primary Examiner*—Jeffrey Asch

*Attorney, Agent, or Firm*—Isaf, Vaughan & Kerr

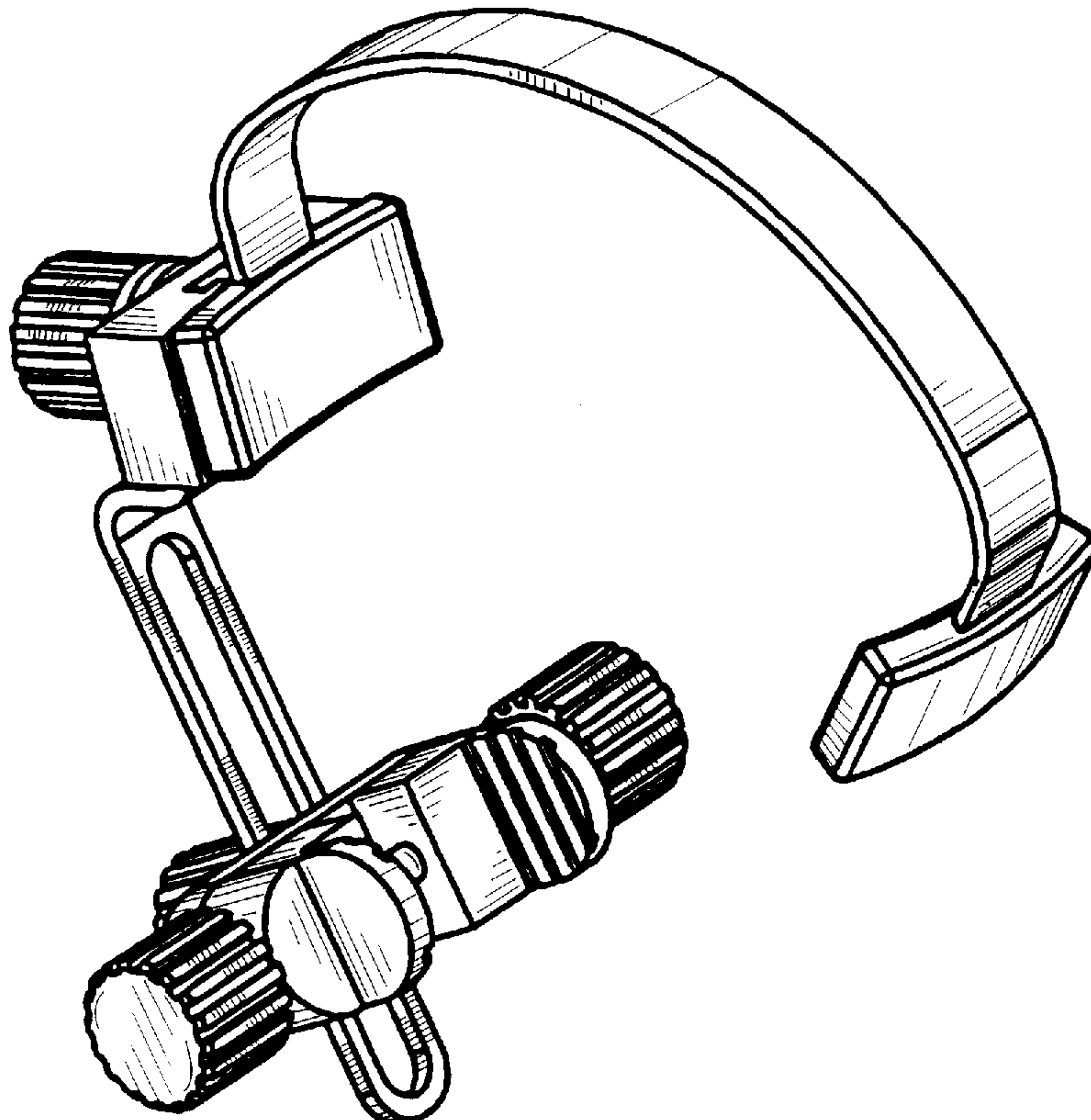
[57] **CLAIM**

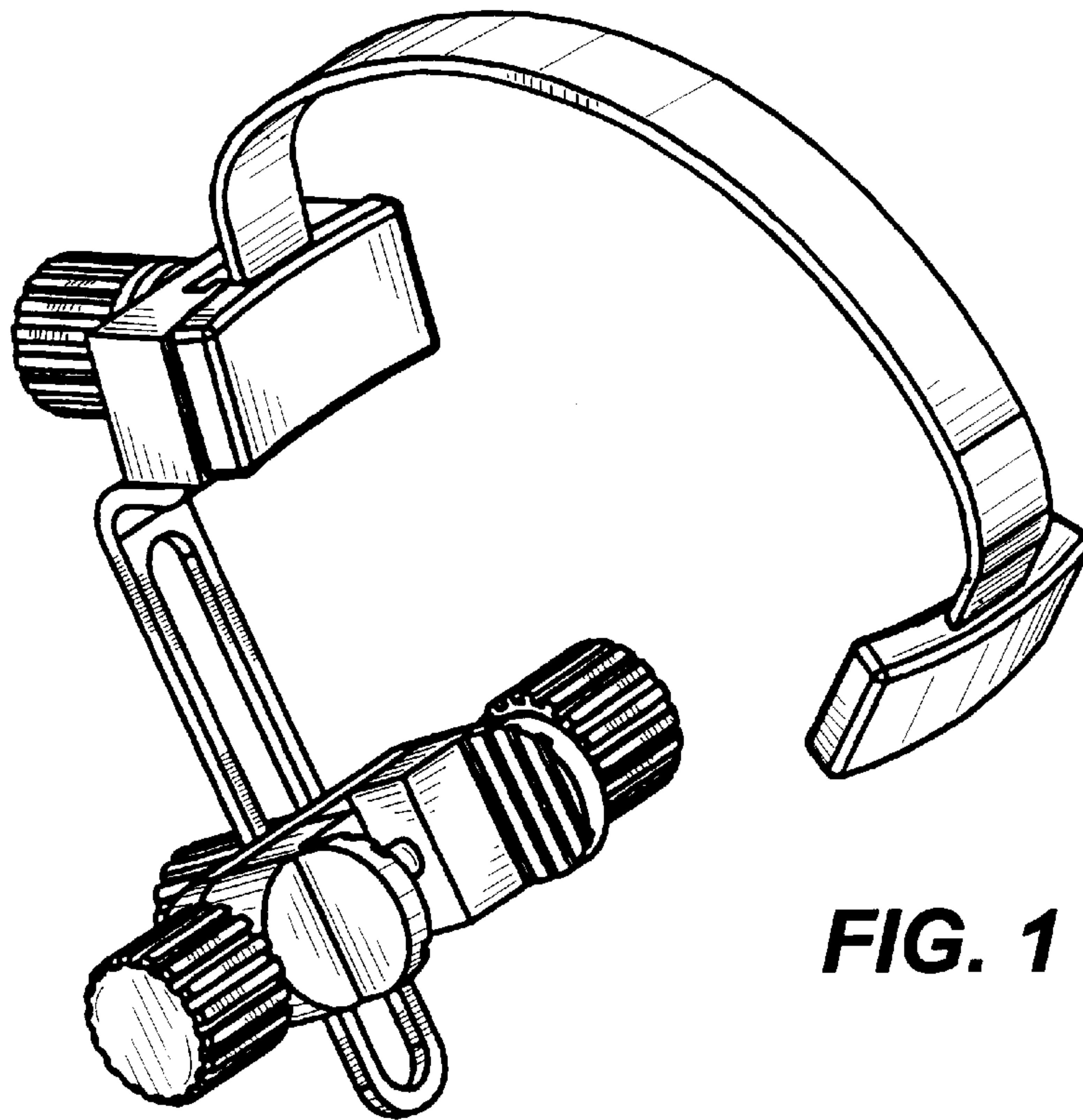
The ornamental design for a “phone holding headset for head-mounting of a phone”, as shown and described.

**DESCRIPTION**

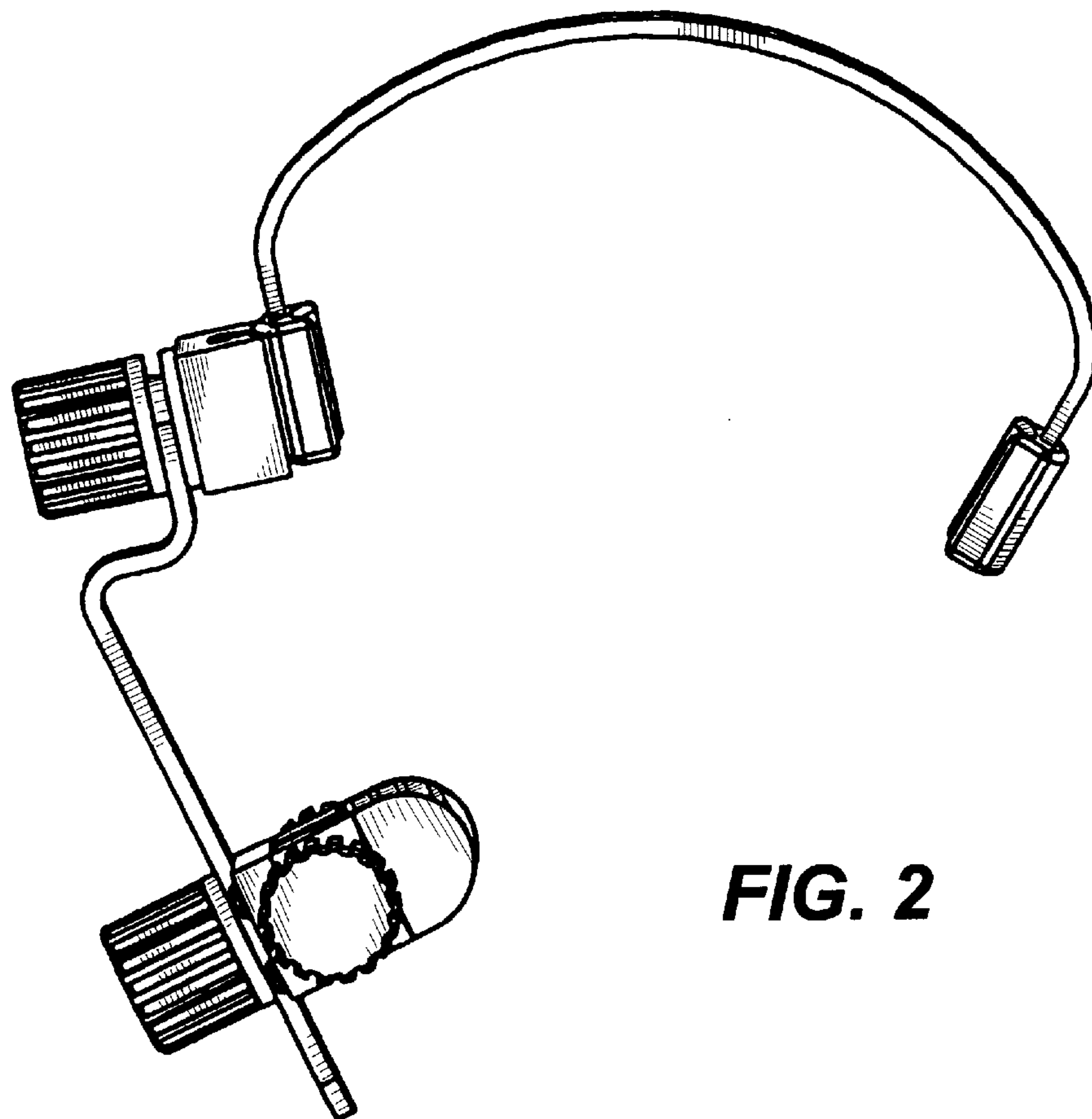
FIG. 1 is a perspective view of a phone holding headset for head-mounting of a phone showing my new design; FIG. 2 is a front side view thereof; FIG. 3 is a left side view thereof; FIG. 4 is a right side view thereof; FIG. 5 is a top side view thereof; FIG. 6 is a bottom side view thereof; and, FIG. 7 is a rear side view thereof.

**1 Claim, 3 Drawing Sheets**

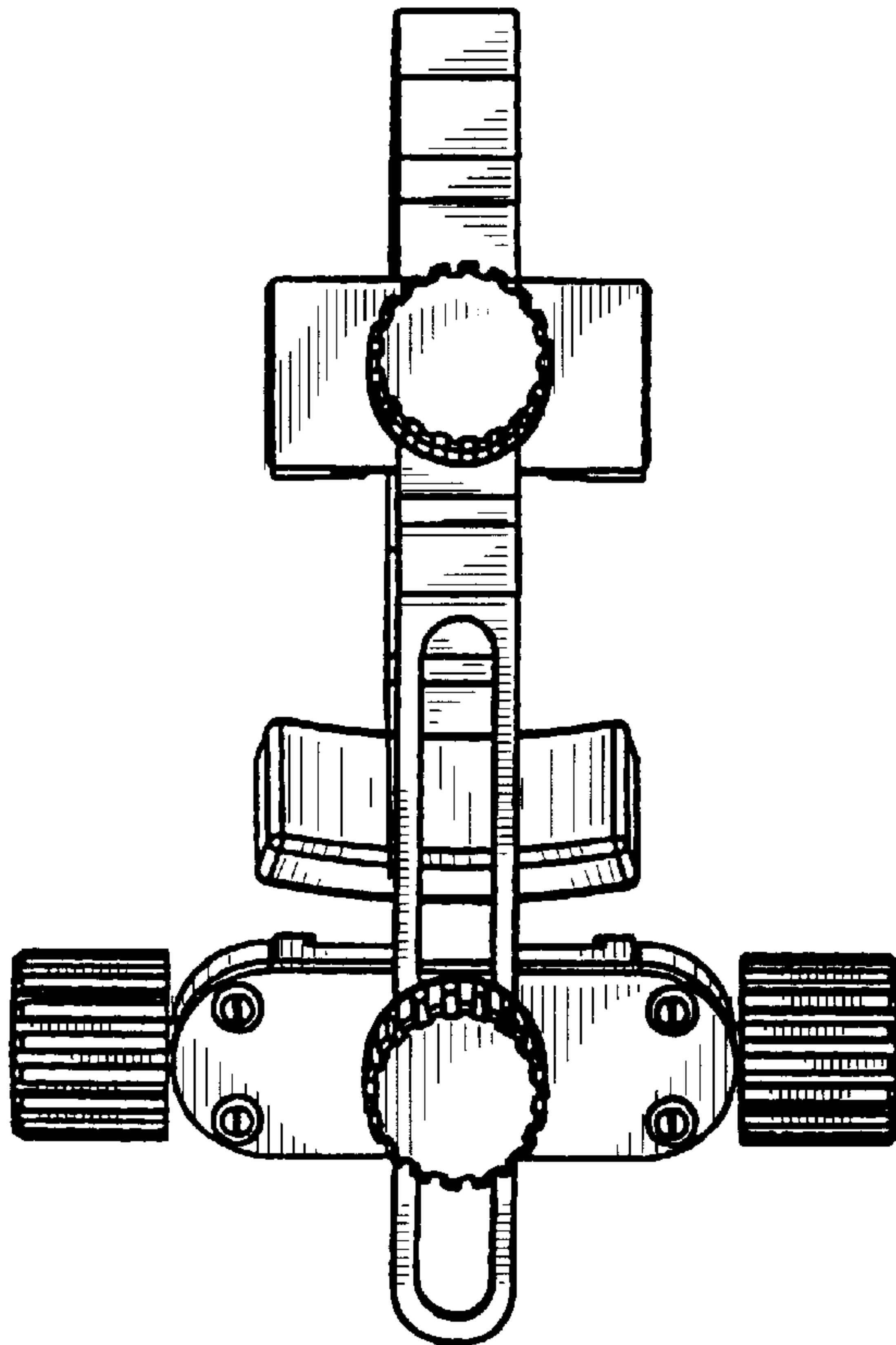




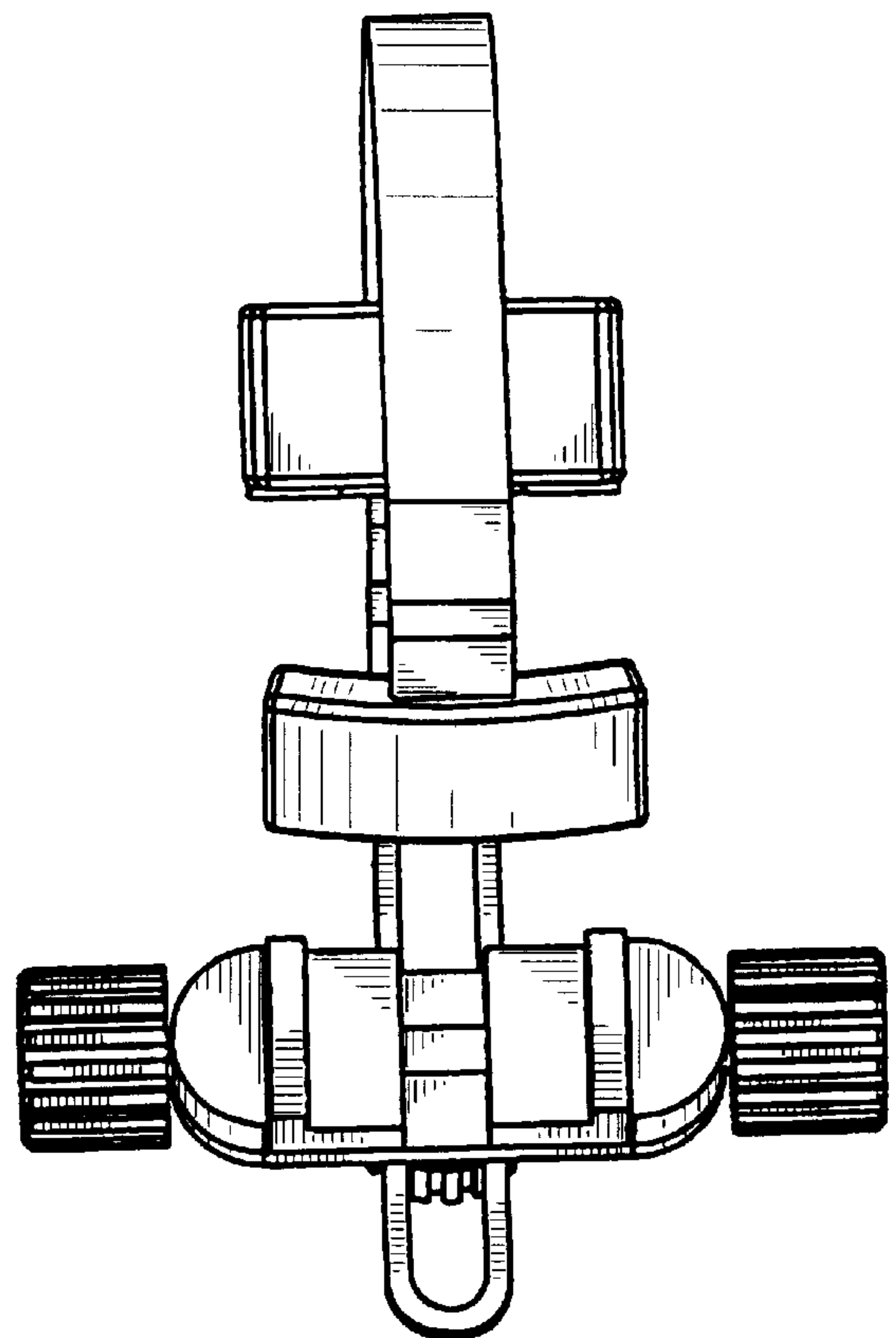
**FIG. 1**



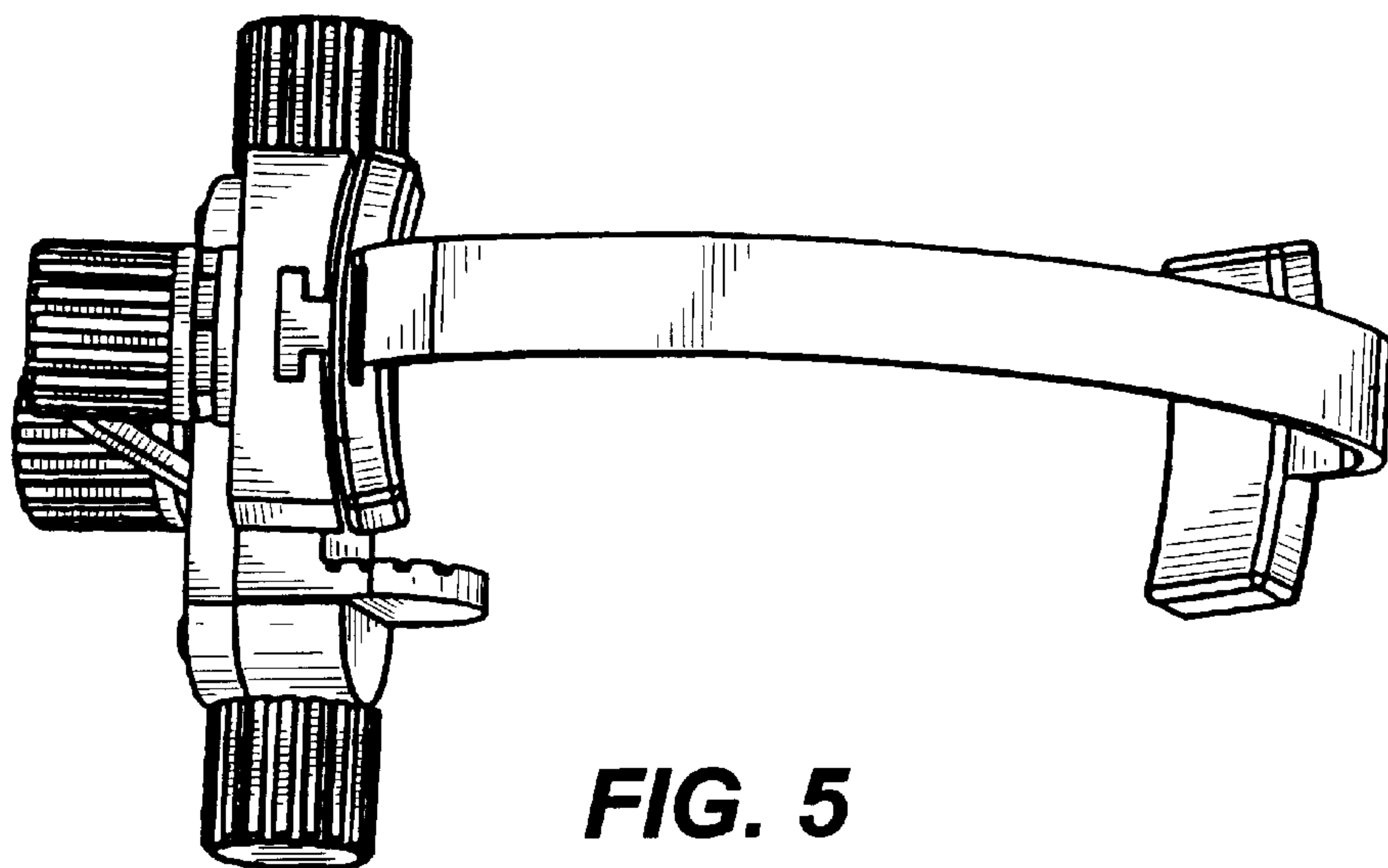
**FIG. 2**



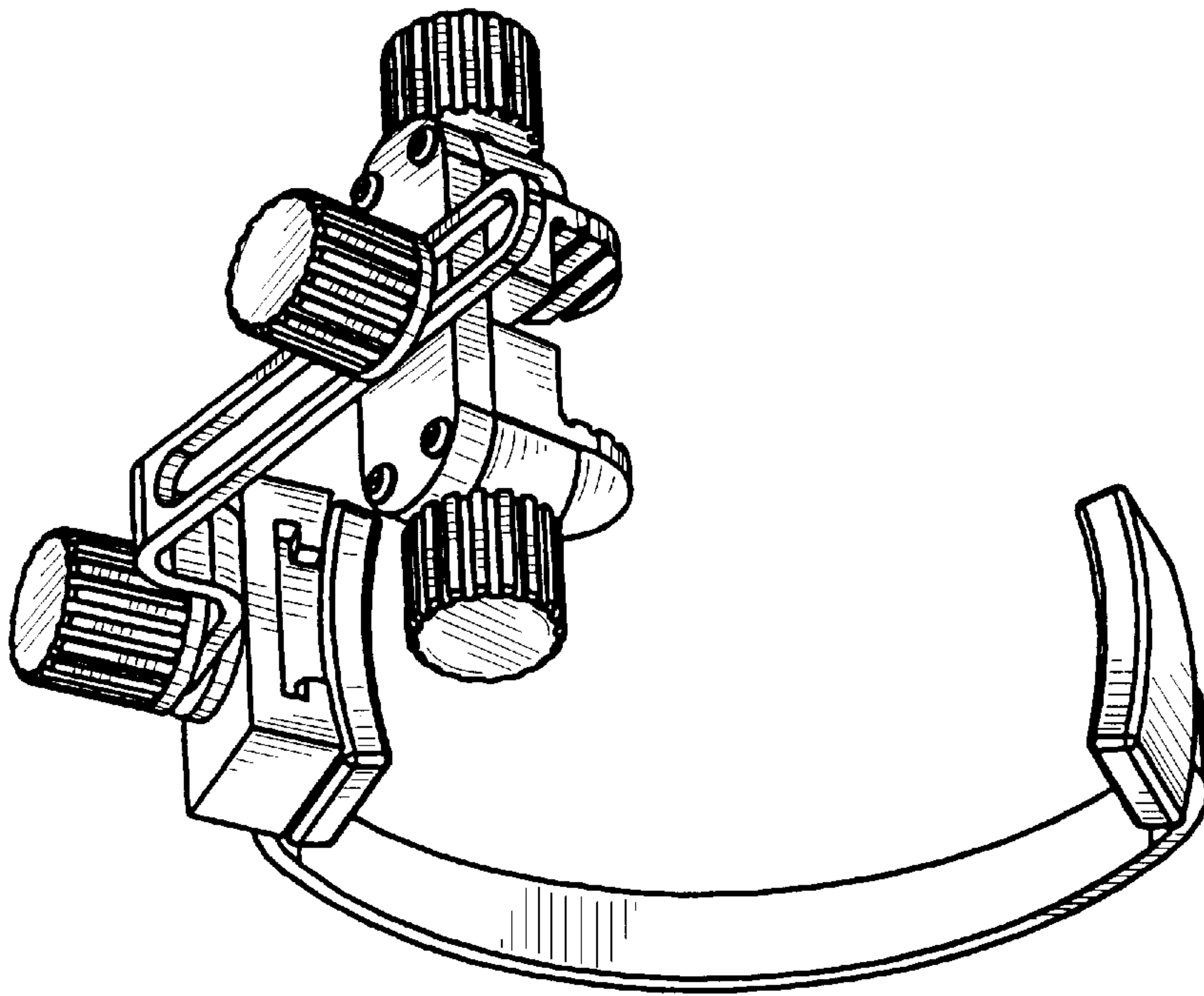
**FIG. 3**



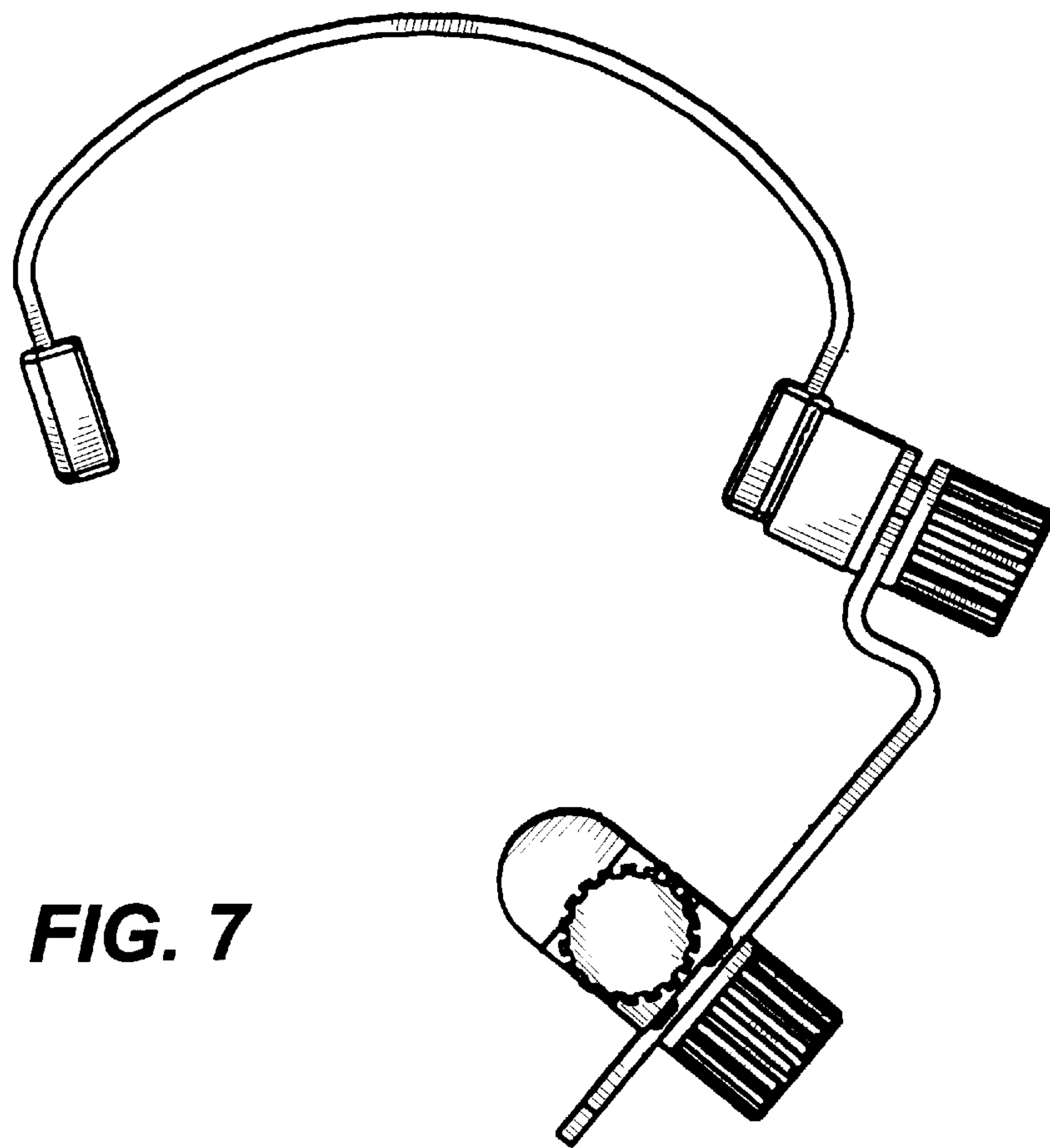
**FIG. 4**



**FIG. 5**



**FIG. 6**



**FIG. 7**