



US00D402293S

United States Patent [19]

Kodaira et al.

[11] **Patent Number:** **Des. 402,293**

[45] **Date of Patent:** ****Dec. 8, 1998**

[54] **CATV POWER PASSING TAP**

[75] Inventors: **Makoto Kodaira; Jun Kimura**, both of Tokyo, Japan

[73] Assignee: **URO Denshi Kogyo Kabushiki Kaisha**, Toyko, Japan

[**] Term: **14 Years**

[21] Appl. No.: **71,336**

[22] Filed: **May 27, 1997**

[30] **Foreign Application Priority Data**

Nov. 27, 1996 [JP] Japan 8-36003

[51] **LOC (6) Cl.** **14-01**

[52] **U.S. Cl.** **D14/217**

[58] **Field of Search** D13/199; D14/217, D14/230; 333/299, 100, 115, 127, 107, 106, 128

[56] **References Cited**

U.S. PATENT DOCUMENTS

D. 301,243 5/1989 Chino D14/217

D. 305,230 12/1989 Math D14/217
D. 336,302 6/1993 Kwang et al. D14/217
5,416,453 5/1995 Quan 333/127
5,635,881 6/1997 Romerein et al. 333/101

Primary Examiner—Brian N. Vinson
Attorney, Agent, or Firm—Jacobson, Price, Holman & Stern, PLLC

[57] **CLAIM**

The ornamental design for a catv power passing tap, as shown and described.

DESCRIPTION

FIG. 1 is a perspective view showing our new design for a catv power passing tap;
FIG. 2 is a top plan view thereof;
FIG. 3 is a front view thereof;
FIG. 4 is a bottom view thereof;
FIG. 5 is a left side elevational view thereof;
FIG. 6 is a right side elevational view thereof; and,
FIG. 7 is a rear view thereof.

1 Claim, 2 Drawing Sheets

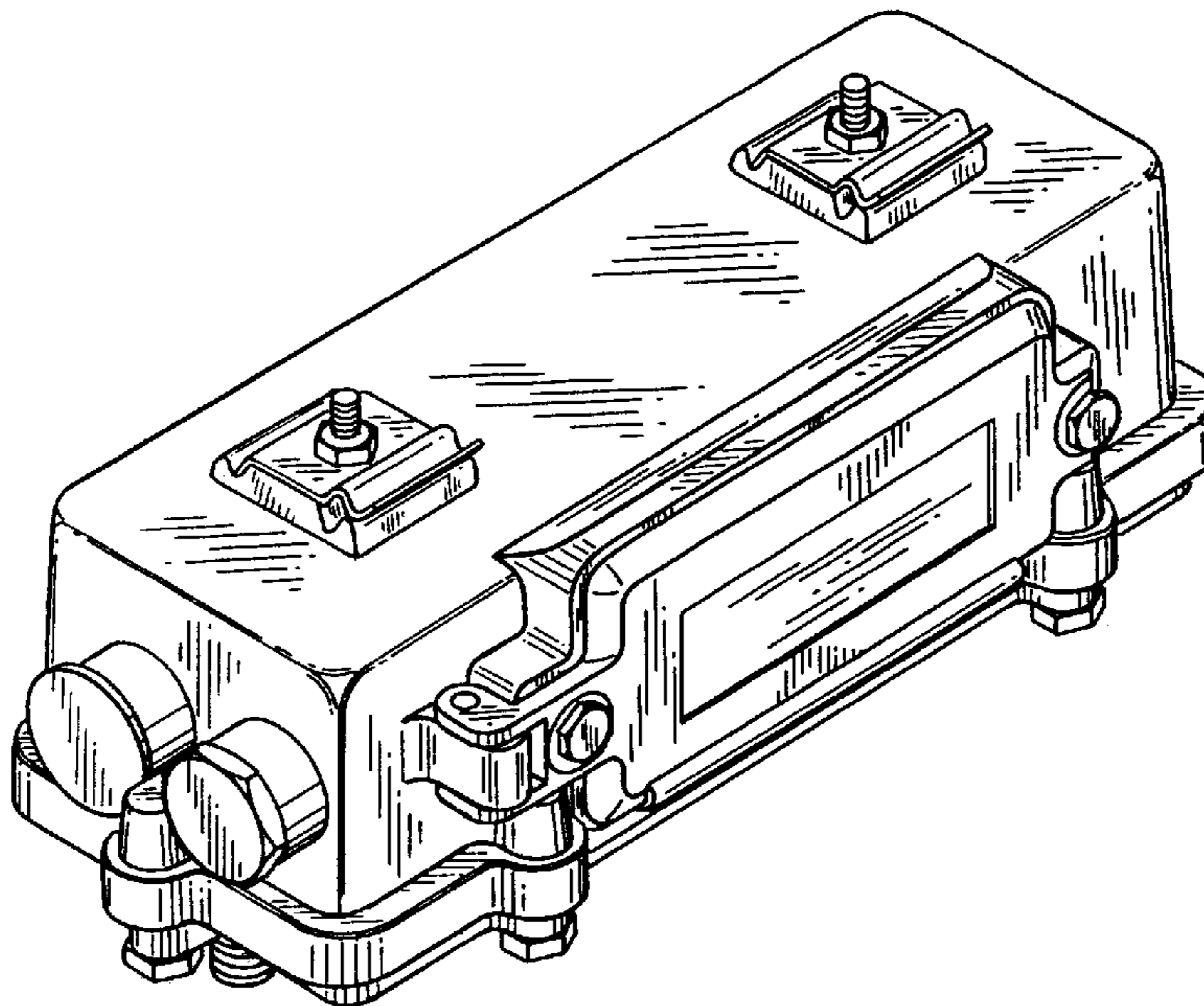


FIG. 1

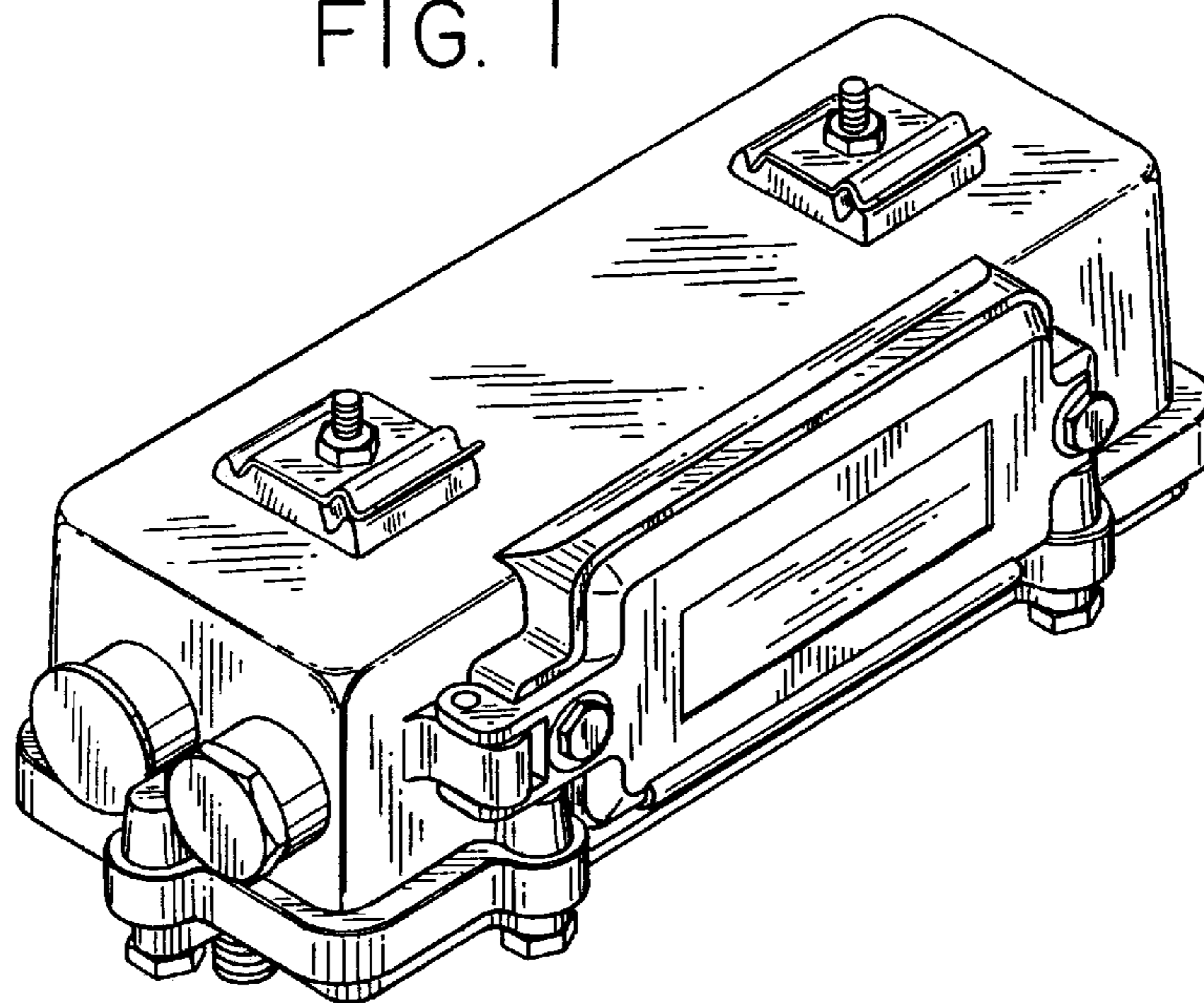


FIG. 2

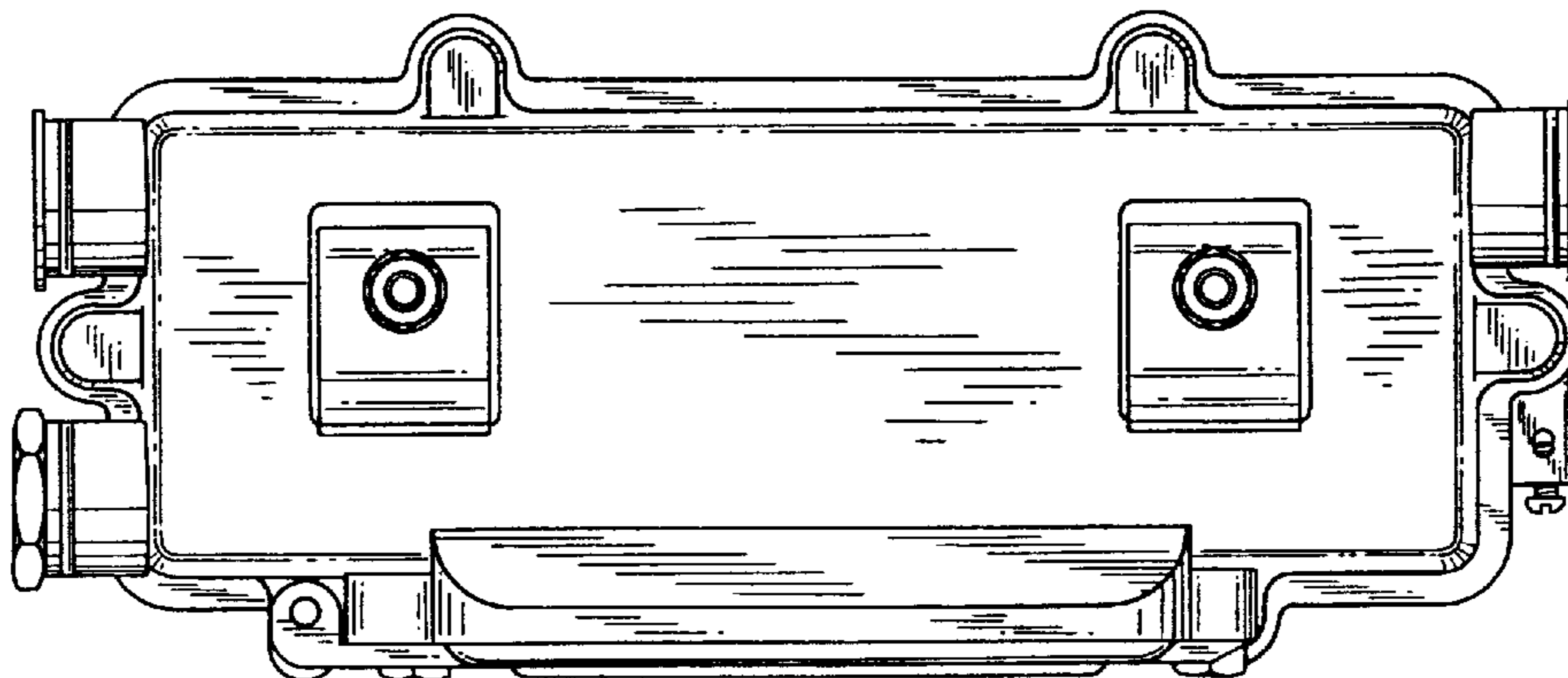


FIG. 3

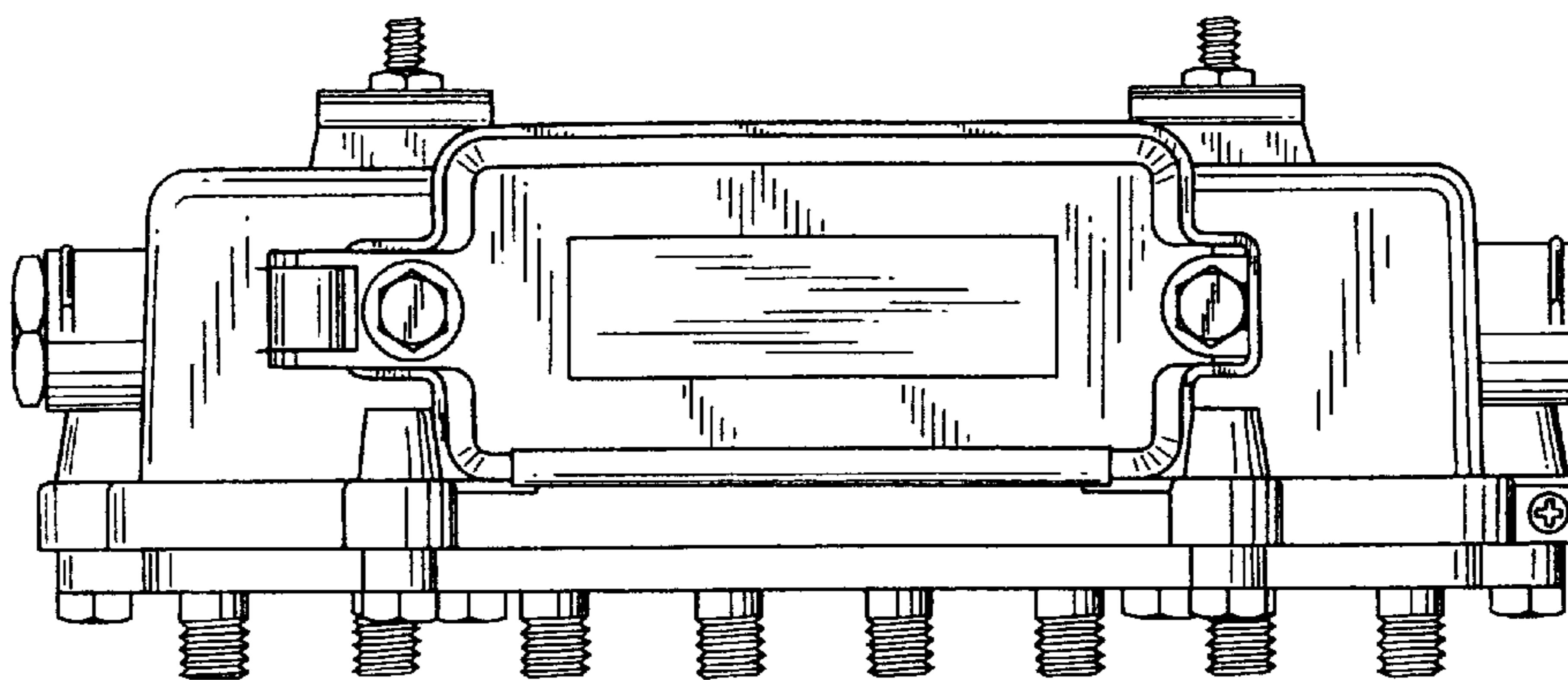


FIG. 4

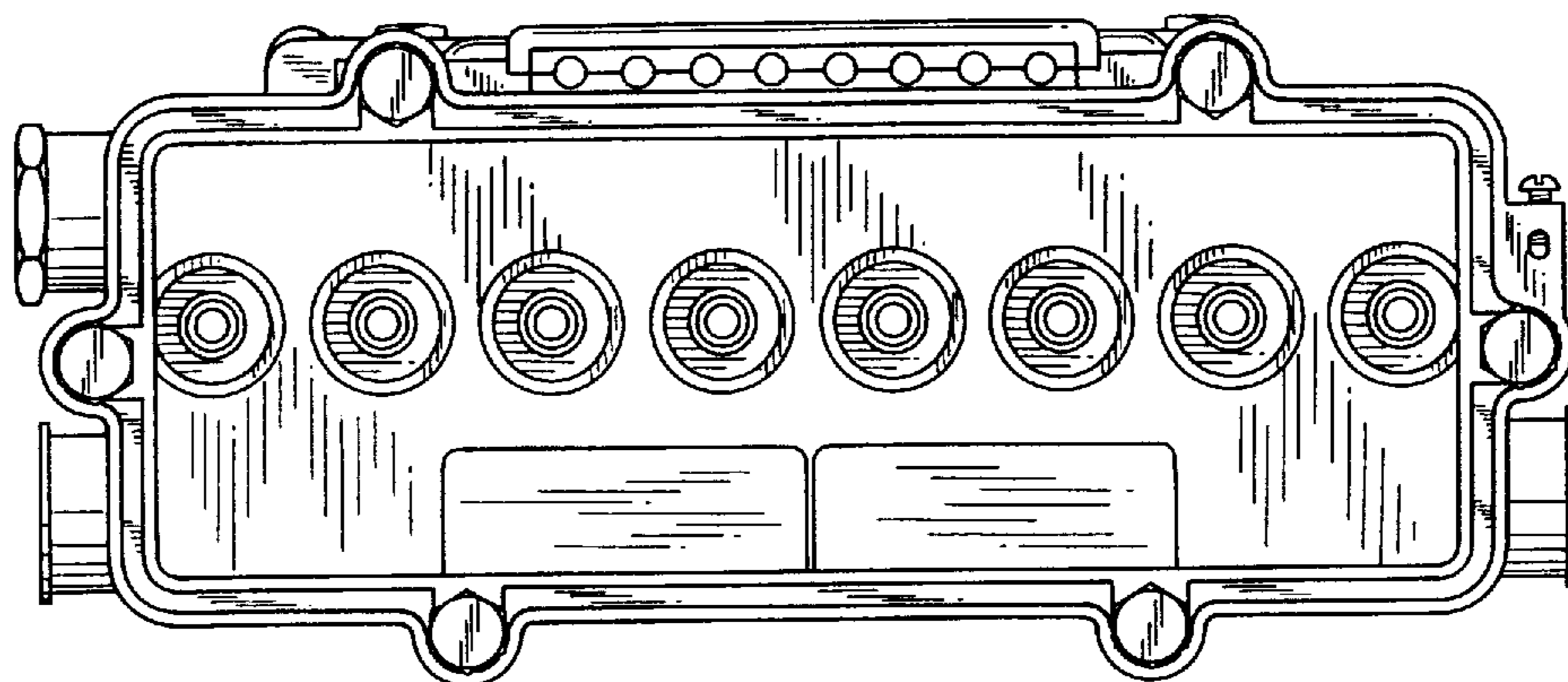


FIG. 5

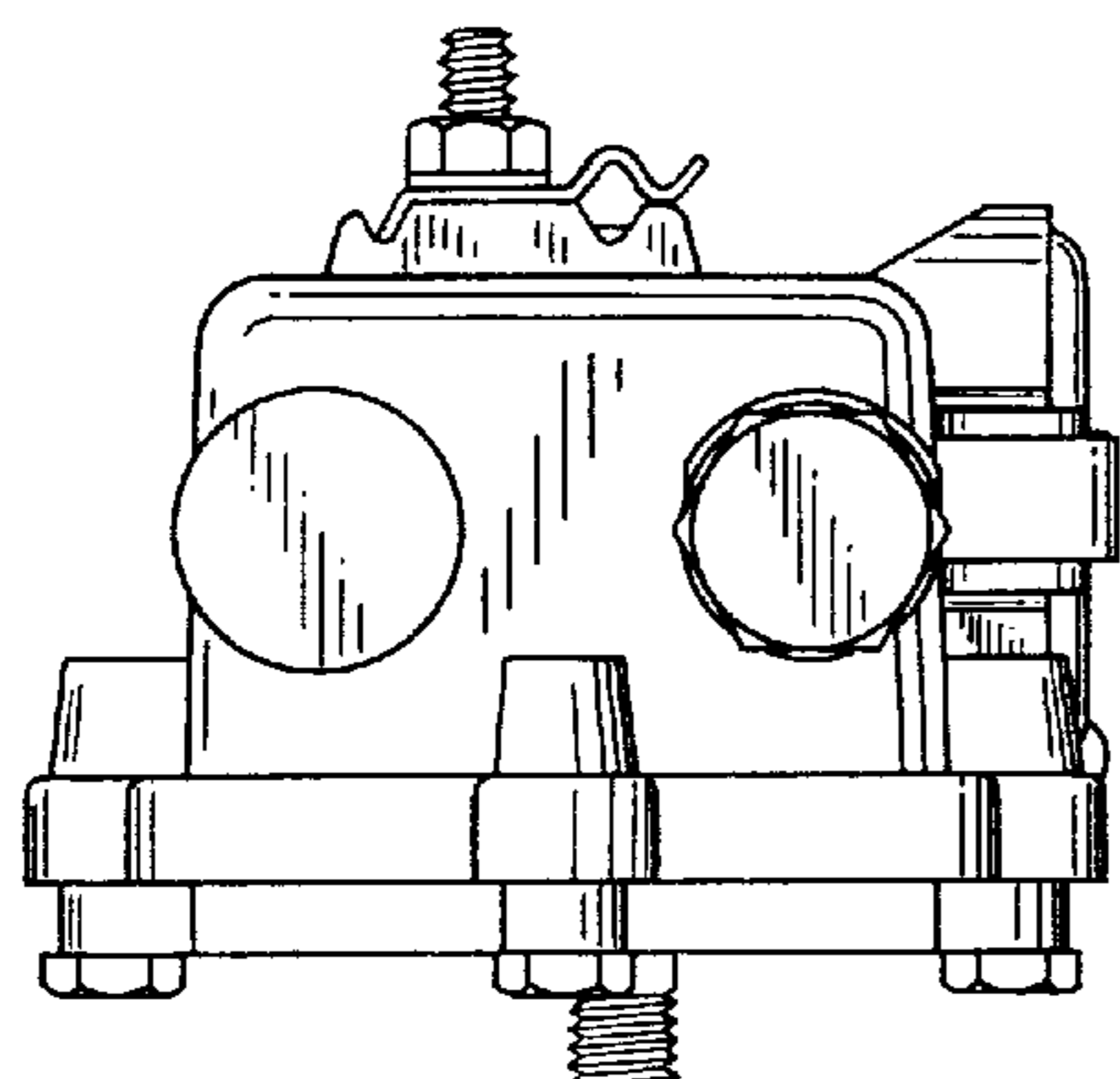


FIG. 6

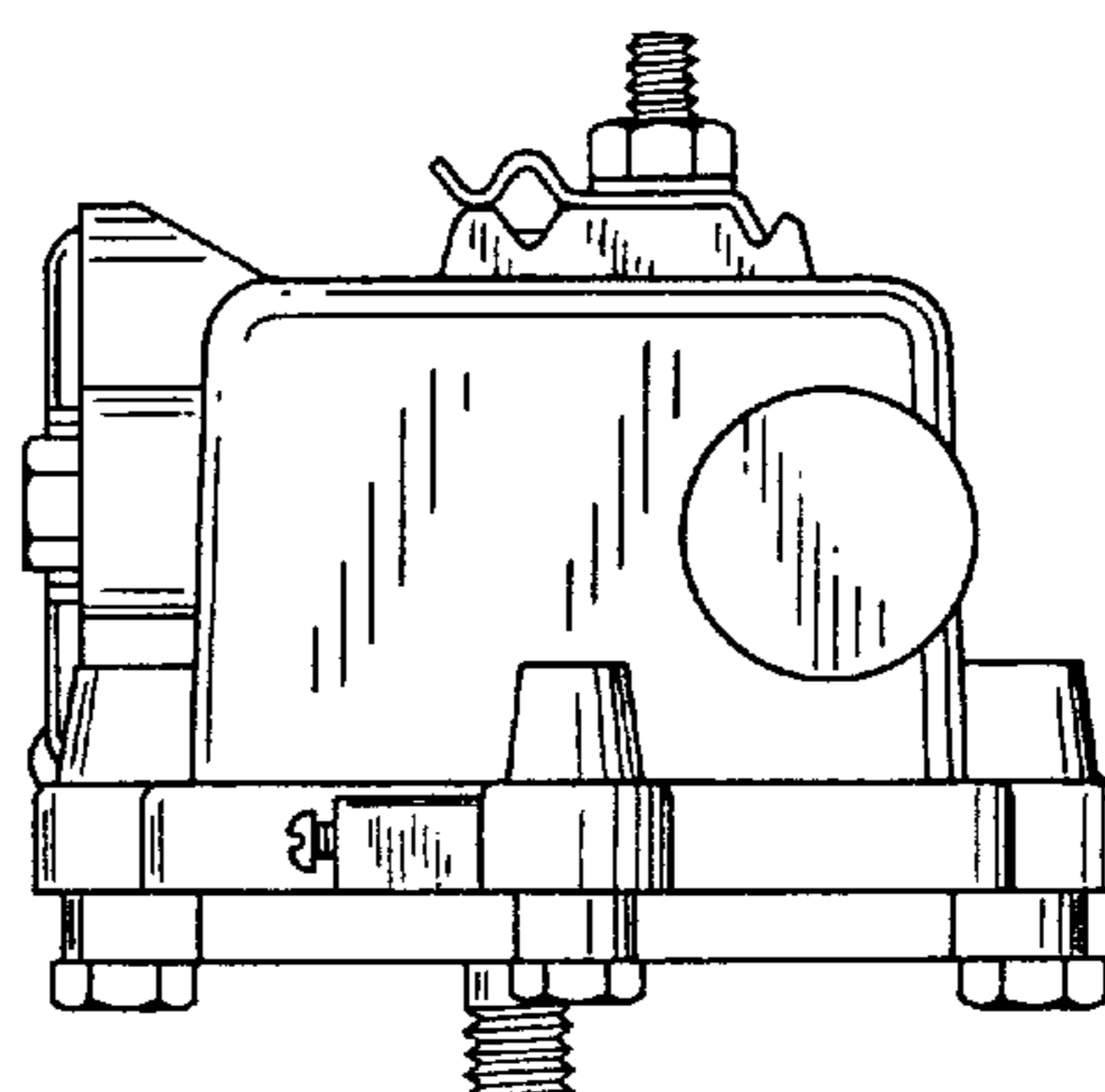


FIG. 7

