



US00D402287S

United States Patent [19]
Kawashima

[11] **Patent Number: Des. 402,287**
[45] **Date of Patent: **Dec. 8, 1998**

[54] **IMAGE DISPLAY DEVICE**

[75] Inventor: **Shosaku Kawashima**, Yokohama, Japan

[73] Assignee: **Canon Kabushiki Kaisha**, Tokyo, Japan

[**] Term: **14 Years**

[21] Appl. No.: **83,761**

[22] Filed: **Feb. 18, 1998**

[30] **Foreign Application Priority Data**

Aug. 20, 1997 [JP] Japan 9-065079

[51] **LOC (6) Cl.** **02-03**

[52] **U.S. Cl.** **D14/124**

[58] **Field of Search** D14/124; D16/202;
D21/102-107, 329, 330; D26/37, 38, 39;
273/148 B; 463/1, 29-46; 345/7, 8, 9, 905;
359/480, 431, 407, 443, 630; 348/53, 115,
121, 838

[56] **References Cited**

U.S. PATENT DOCUMENTS

D. 369,160 4/1996 Gotoh et al. D14/124

D. 370,909	6/1996	Oikawa et al.	D14/124
D. 374,002	9/1996	Bassett et al.	D14/124
D. 375,495	11/1996	Maclness et al.	D14/124
D. 375,731	11/1996	Holmes et al.	D14/124
D. 383,455	9/1997	Maclnnes et al.	D14/124
D. 390,552	2/1998	Ronzani	D14/124
4,737,972	4/1988	Schoolman	345/8 X
5,137,450	8/1992	Thomas	348/133 X
5,320,534	6/1994	Thomas	348/115 X

Primary Examiner—Prabhakar G. Deshmukh
Attorney, Agent, or Firm—Fitzpatrick, Cella, Harper & Scinto

[57] **CLAIM**

The ornamental design for an image display device, as shown and described.

DESCRIPTION

FIG. 1 is a front view of an image display device showing my new design;
FIG. 2 is a rear view thereof;
FIG. 3 is a top plan view thereof;
FIG. 4 is a bottom plan view thereof;
FIG. 5 is a left side view thereof;
FIG. 6 is a right side view thereof; and,
FIG. 7 is a perspective view thereof.

1 Claim, 5 Drawing Sheets

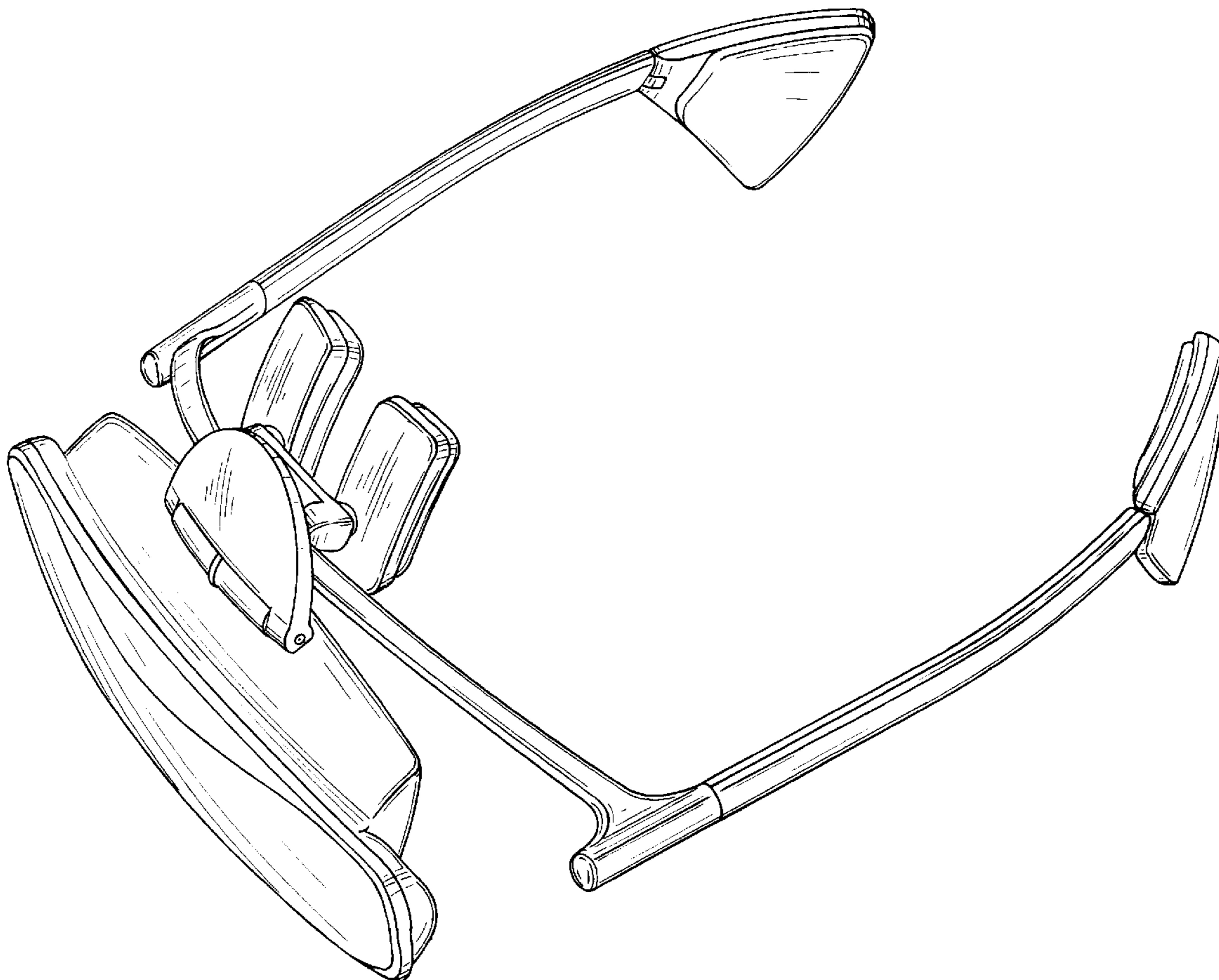


FIG. 1

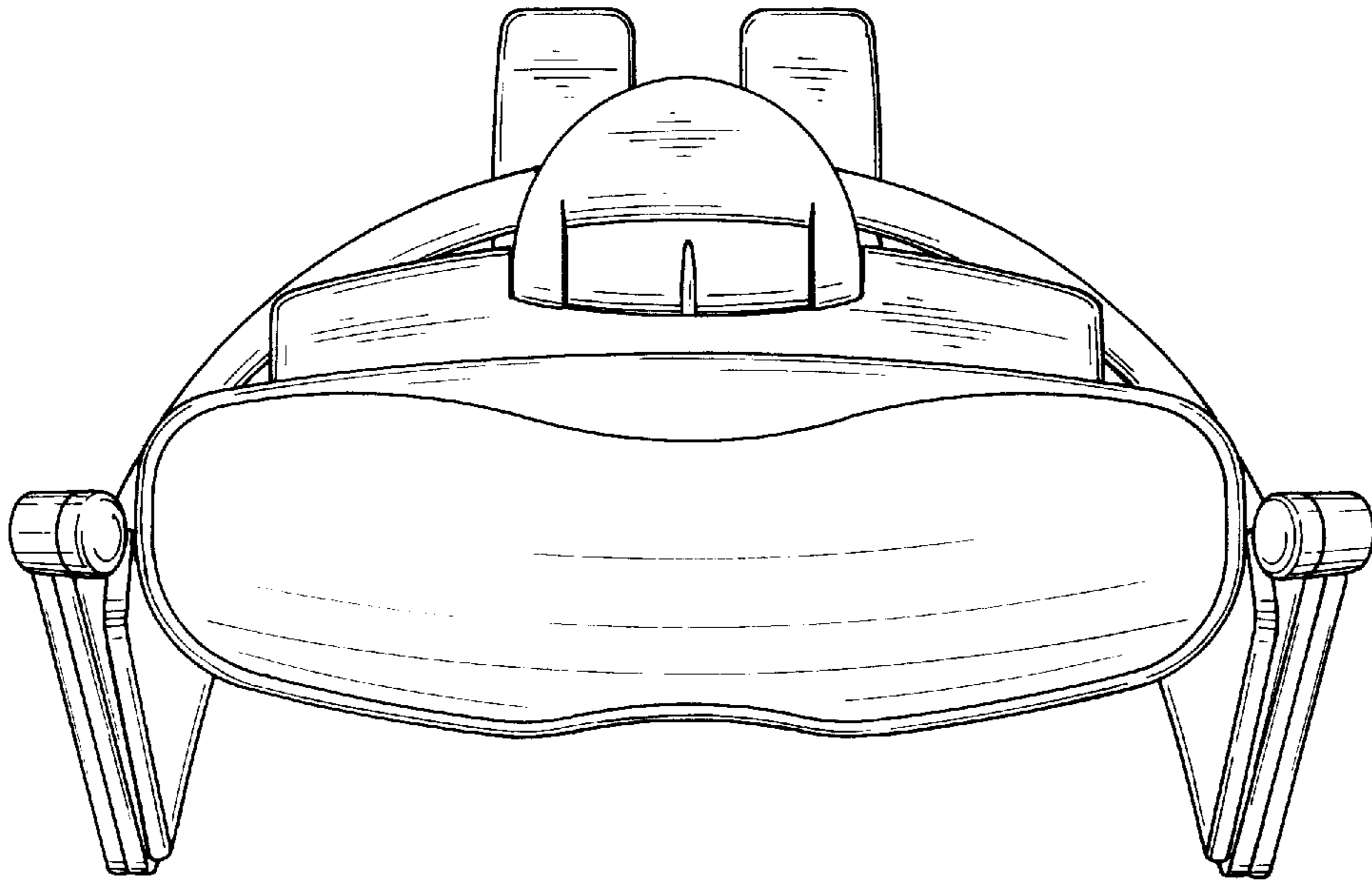


FIG. 2

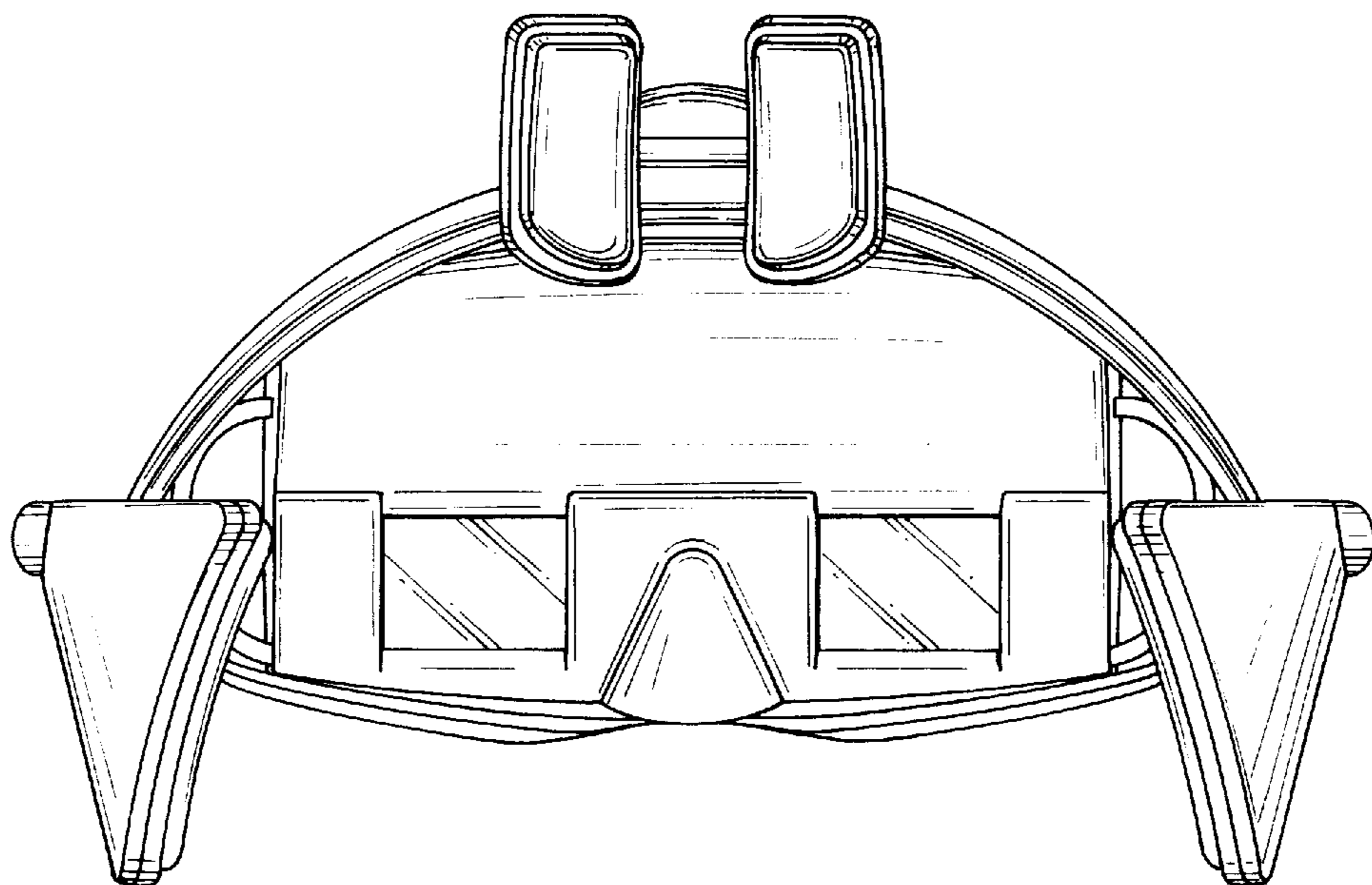


FIG. 3

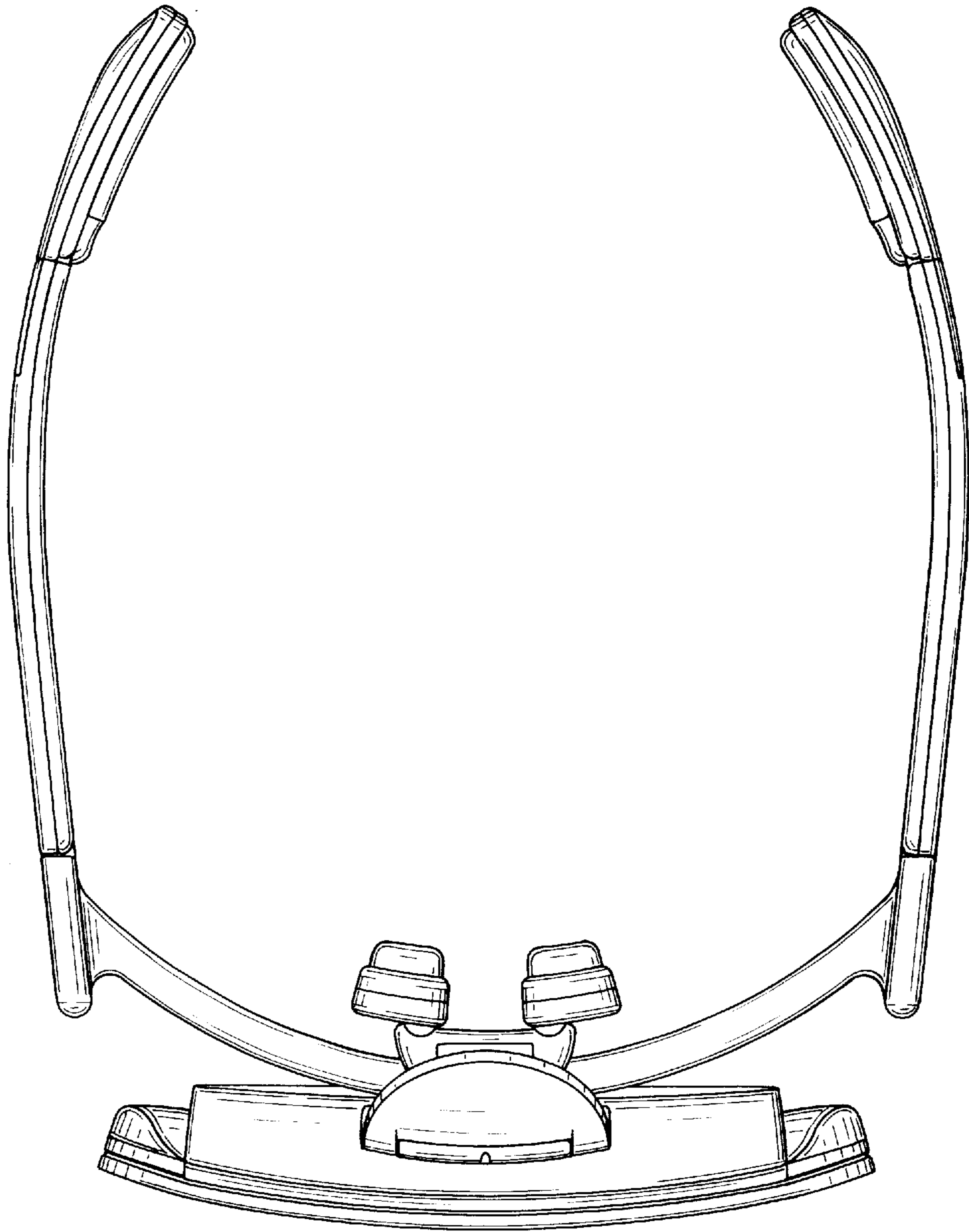


FIG. 4

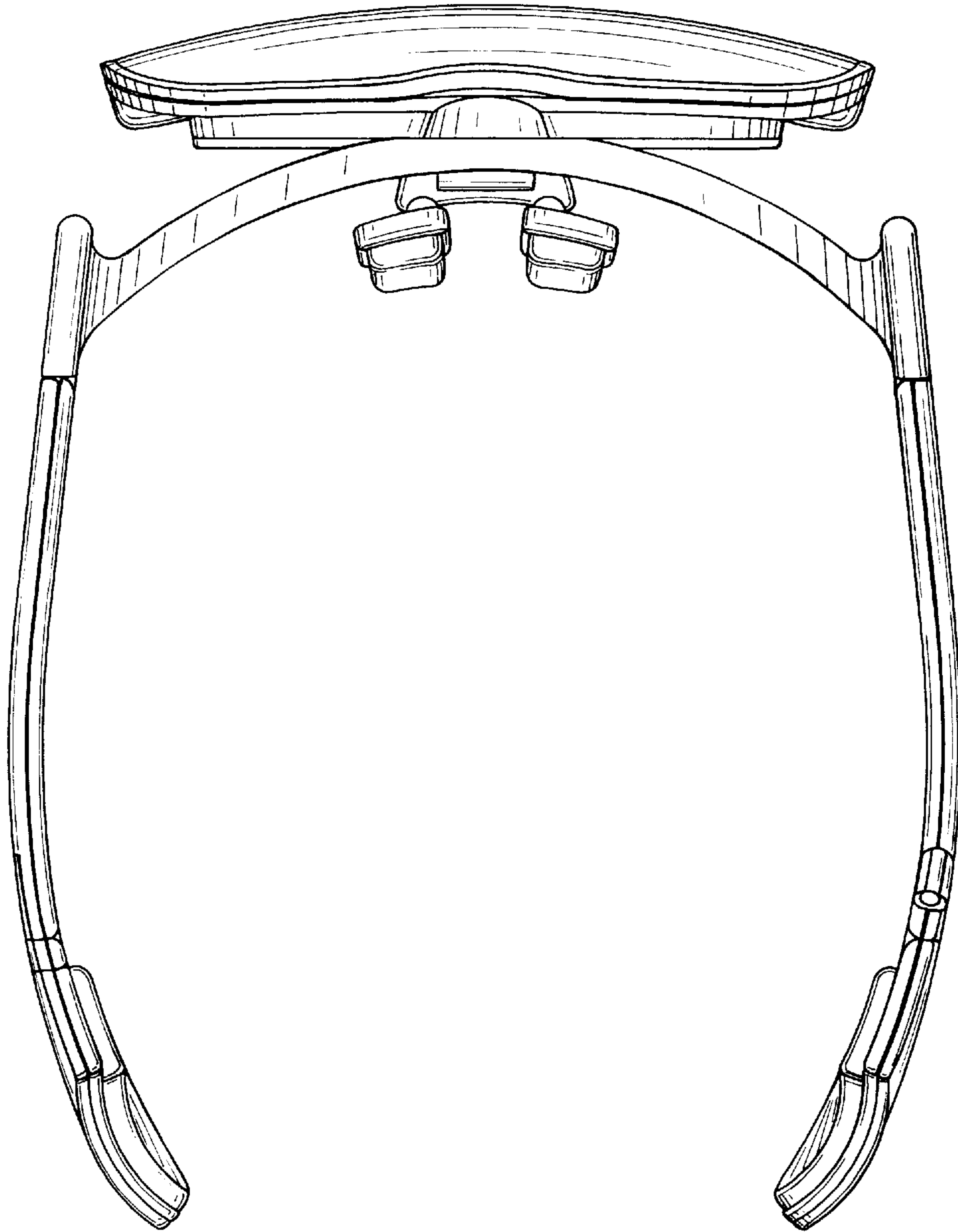


FIG. 5

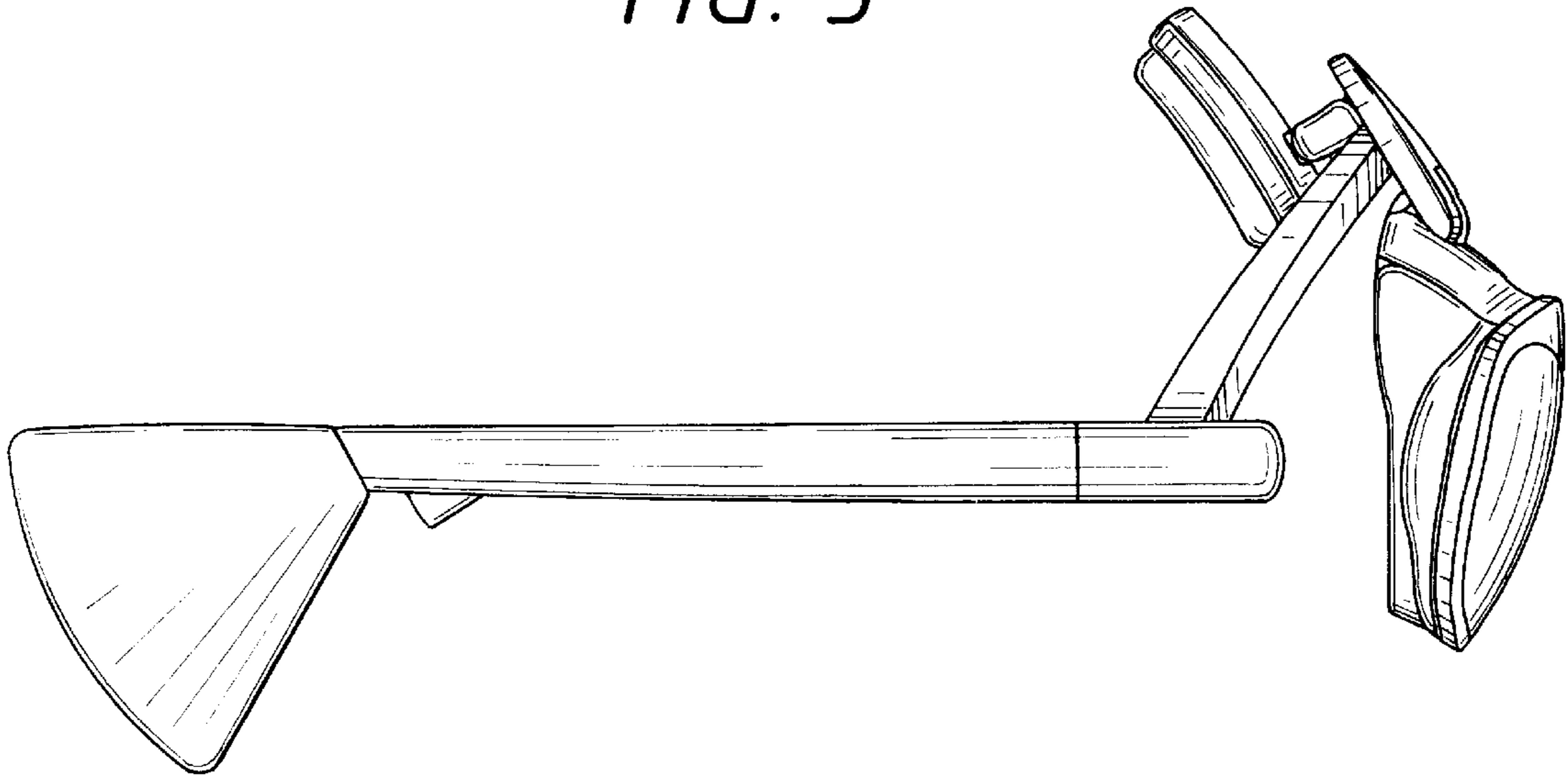
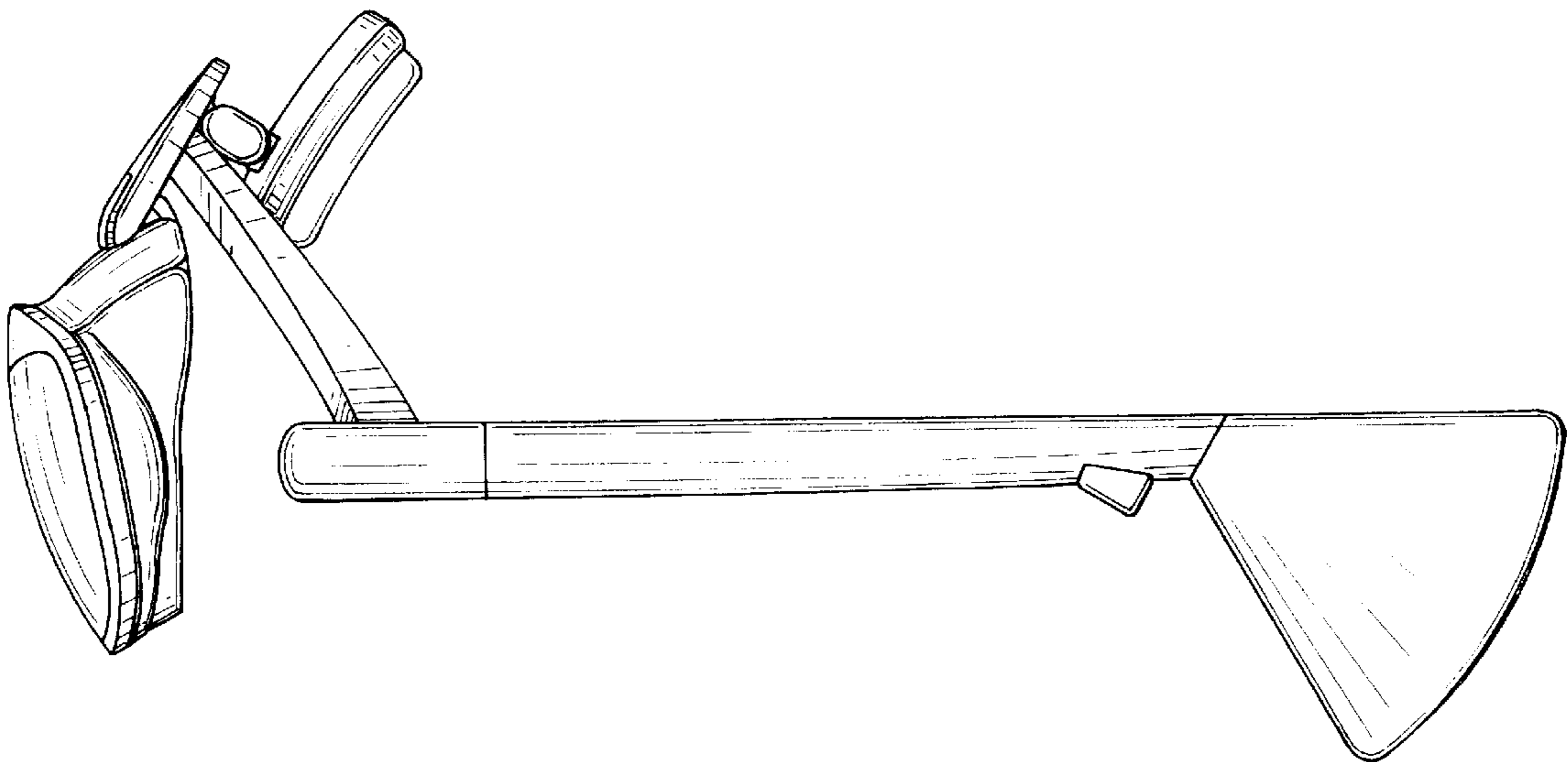


FIG. 6



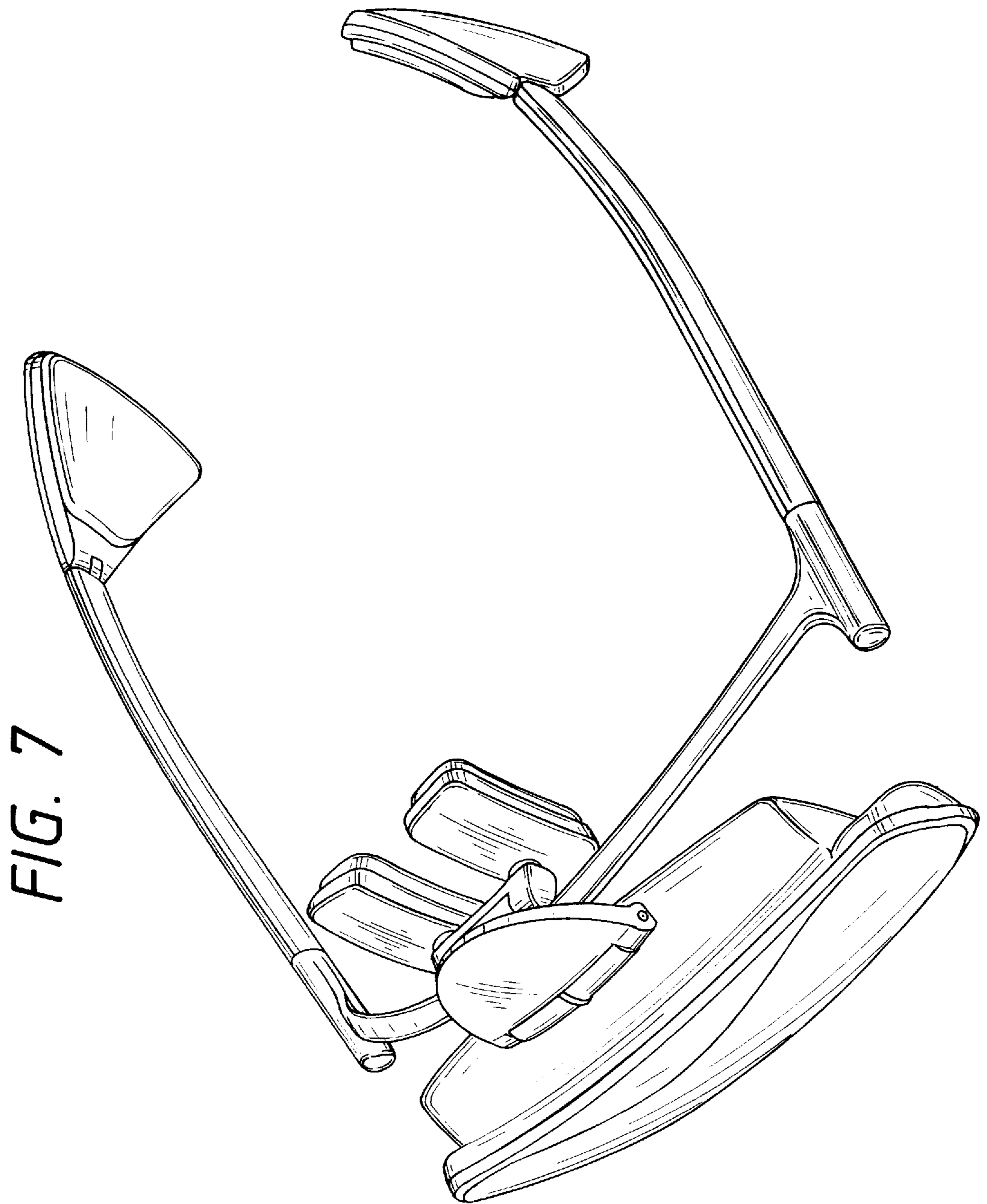


FIG. 7