



US00D402286S

United States Patent [19]

Poole et al.

[11] **Patent Number:** Des. 402,286

[45] **Date of Patent:** **Dec. 8, 1998

[54] **FRONT BEZEL FOR A DESKTOP COMPUTER**

D. 359,279 6/1995 Fujimura et al. D14/115

[75] Inventors: **Anton R. Poole; Yutaka Kazamaki**,
both of Dakota Dunes, S. Dak.

Primary Examiner—Freda Nunn
Attorney, Agent, or Firm—Schwegman, Lundberg,
Woessner & Kluth, P.A.

[73] Assignee: **Gateway 2000, Inc.**, North Sioux City,
S. Dak.

[57] **CLAIM**

[**] Term: **14 Years**

The ornamental design for a front bezel for a desktop computer, as shown and described.

[21] Appl. No.: **78,088**

DESCRIPTION

[22] Filed: **Oct. 17, 1997**

[51] **LOC (6) Cl.** **14-02**

[52] **U.S. Cl.** **D14/115**

[58] **Field of Search** D14/100, 102,
D14/107-109, 115, 257, 258; D13/162,
164, 177, 184, 199; D10/103; 312/223.2;
428/99; 361/600, 622, 724-728

FIG. 1 is a right front perspective of a front bezel for a desktop computer incorporating the new design;

FIG. 2 is a left side elevation thereof; and

FIG. 3 is a bottom plan view thereof.

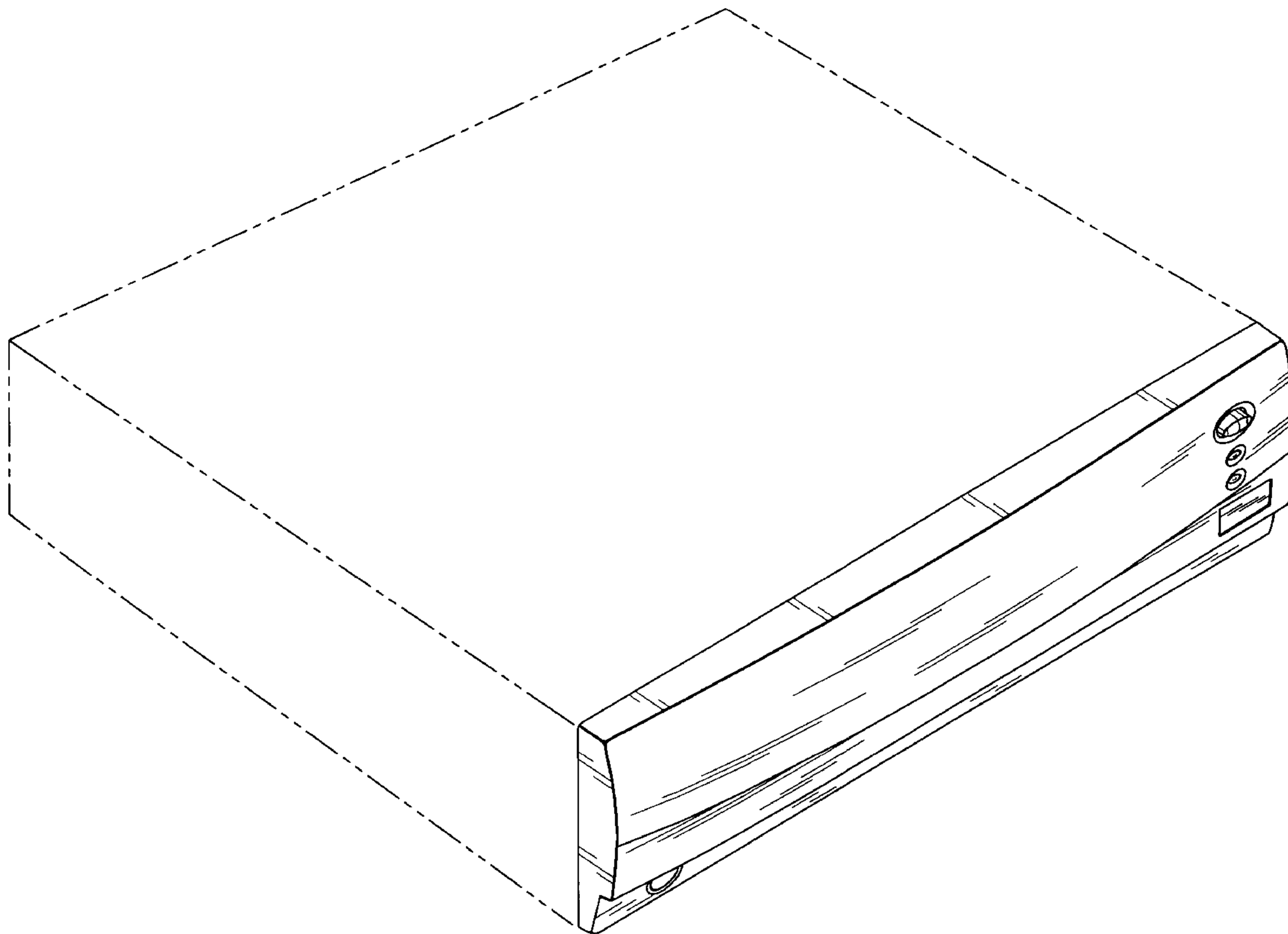
The desktop computer is shown in broken lines in the views for illustrative purposes only and forms no part of the claimed design.

[56] **References Cited**

U.S. PATENT DOCUMENTS

D. 314,954 2/1991 Welch D14/115

1 Claim, 2 Drawing Sheets



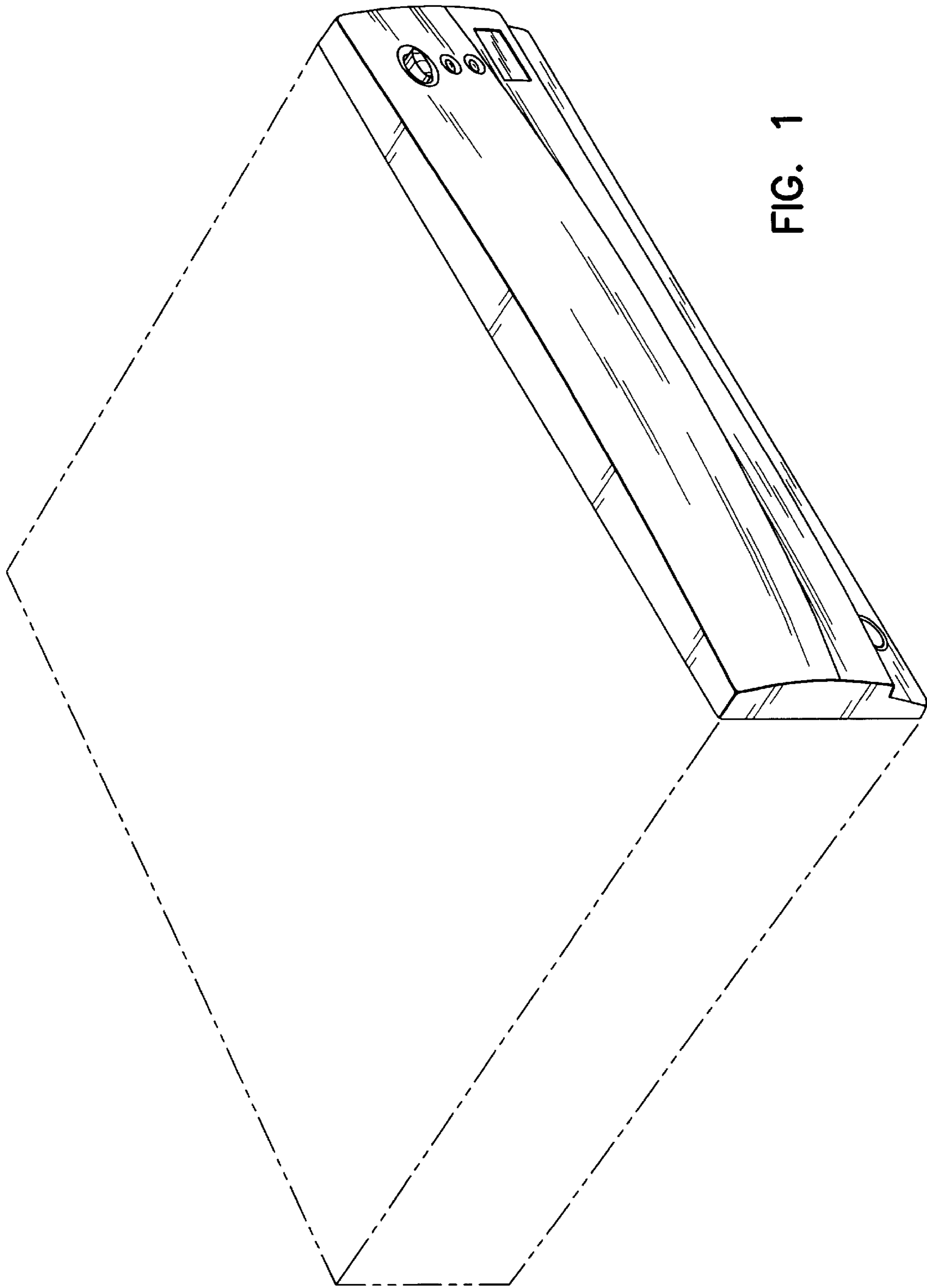


FIG. 1

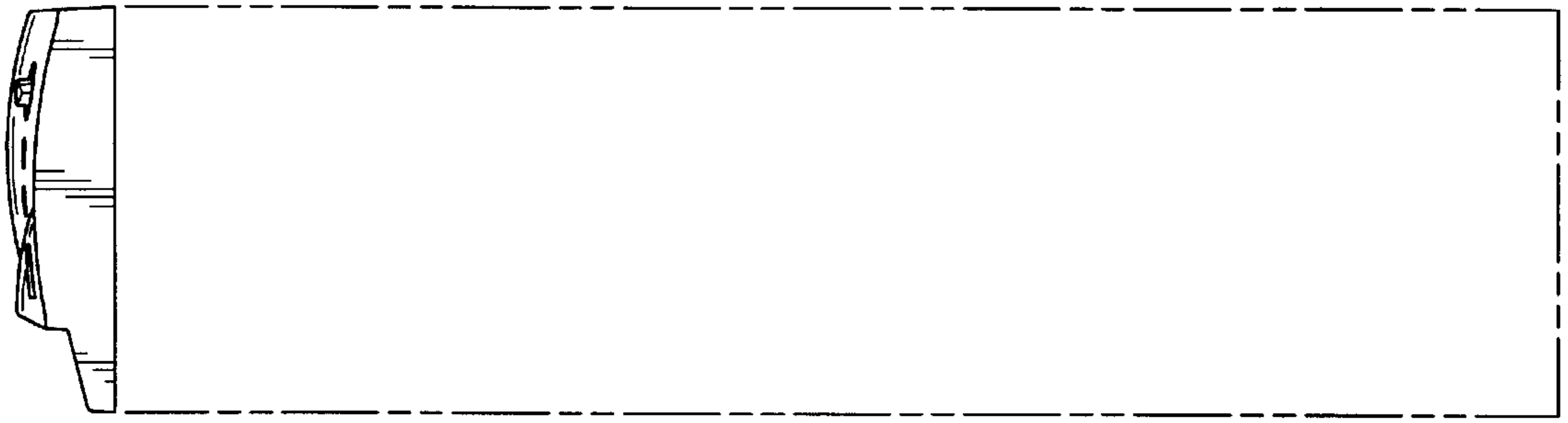


FIG. 2

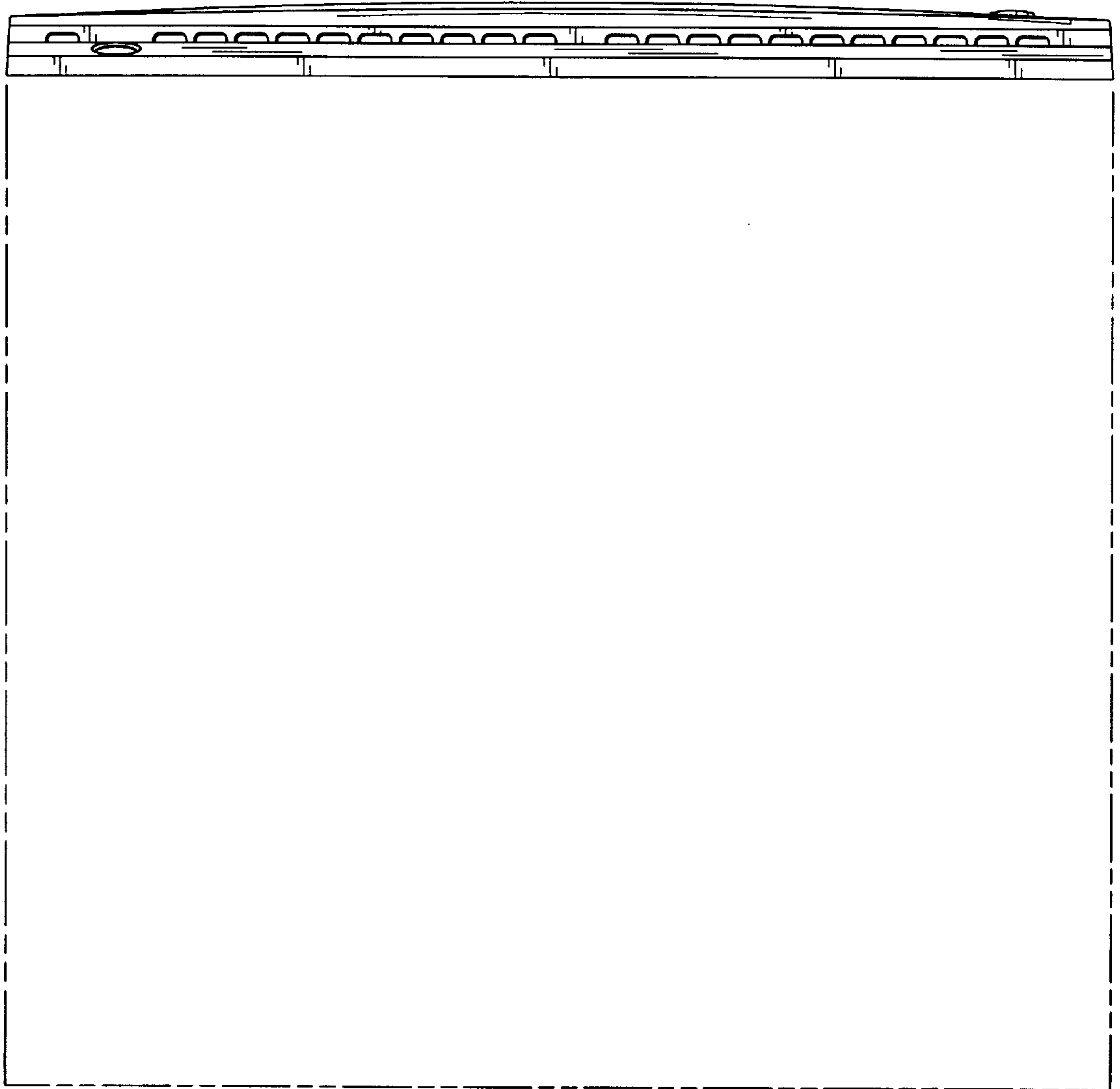


FIG. 3