



US00D402278S

United States Patent [19]

[11] **Patent Number: Des. 402,278**

Hayamizu et al.

[45] **Date of Patent: **Dec. 8, 1998**

[54] **SCANNER**

[75] Inventors: **Eiji Hayamizu; Jun Kitera**, both of Tokyo, Japan

[73] Assignee: **Asahi Kogaku Kogyo Kabushiki Kaisha**, Tokyo, Japan

[**] Term: **14 Years**

[21] Appl. No.: **78,072**

[22] Filed: **Oct. 16, 1997**

[30] **Foreign Application Priority Data**

Apr. 16, 1997 [JP] Japan 9-51497
Apr. 16, 1997 [JP] Japan 9-51498

[51] **LOC (6) Cl.** **14-02**

[52] **U.S. Cl.** **D14/107**

[58] **Field of Search** D14/100, 105,
D14/107, 118; D18/36, 37, 39; D16/208,
214, 232; 250/556; 355/64, 65, 75, 81;
235/454, 470, 382, 382.5

[56] **References Cited**

U.S. PATENT DOCUMENTS

D. 368,256 3/1996 Stropkay et al. D14/107

Primary Examiner—Freda Nunn

Attorney, Agent, or Firm—Sughrue, Mion, Zinn, Macpeak & Seas, PLLC

[57] **CLAIM**

The ornamental design for a scanner, as shown and described.

DESCRIPTION

FIG. 1 is a perspective view of the front, top and right side of a scanner showing our new design;
FIG. 2 is a front elevational view thereof;
FIG. 3 is a right side elevational view thereof;
FIG. 4 is a left side elevational view thereof;
FIG. 5 is a top plan view thereof;
FIG. 6 is a bottom plan view thereof;
FIG. 7 is a rear elevational view thereof;
FIG. 8 is a perspective view similar to FIG. 1 with a sliding front cover moved to the right;
FIG. 9 is a perspective view similar to FIG. 1 with a top cover removed;
FIG. 10 is a front elevational view thereof;
FIG. 11 is a right side elevational view thereof;
FIG. 12 is a left side elevational view thereof;
FIG. 13 is a top plan view thereof;
FIG. 14 is a rear elevational view thereof; and,
FIG. 15 is a perspective view similar to FIG. 1 with the slidable front cover moved to the right and the top cover removed.

1 Claim, 8 Drawing Sheets

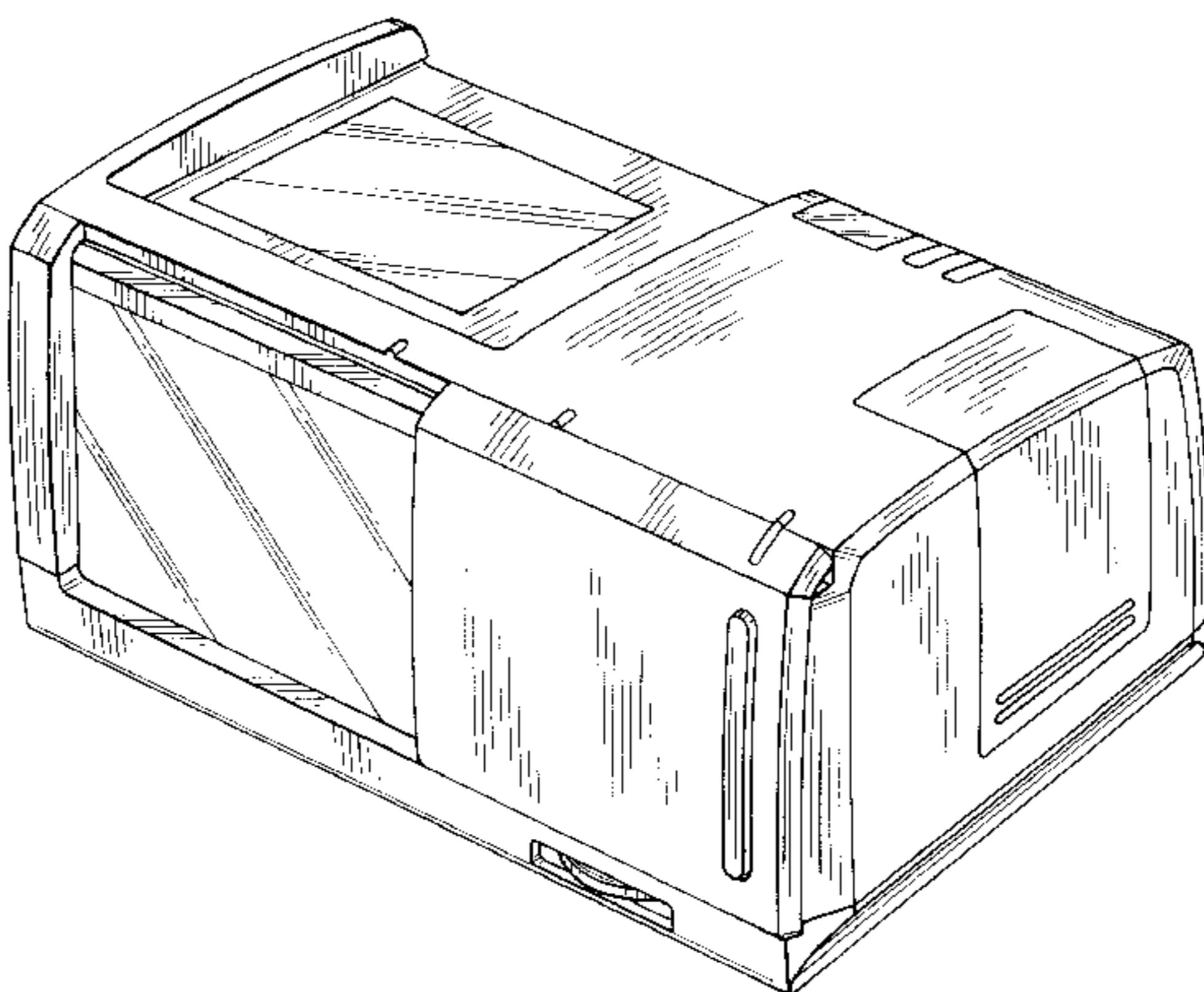
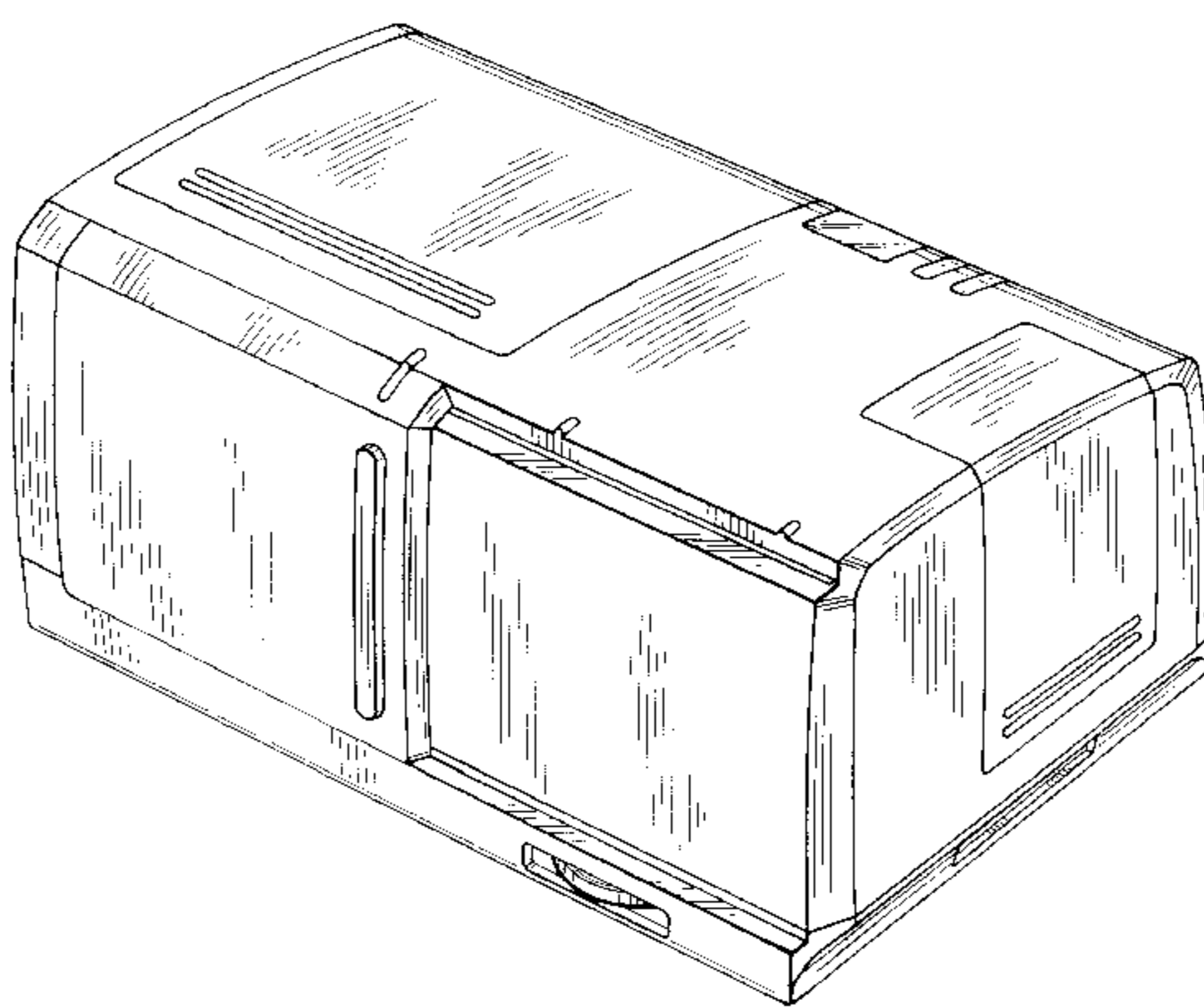


FIG. 1

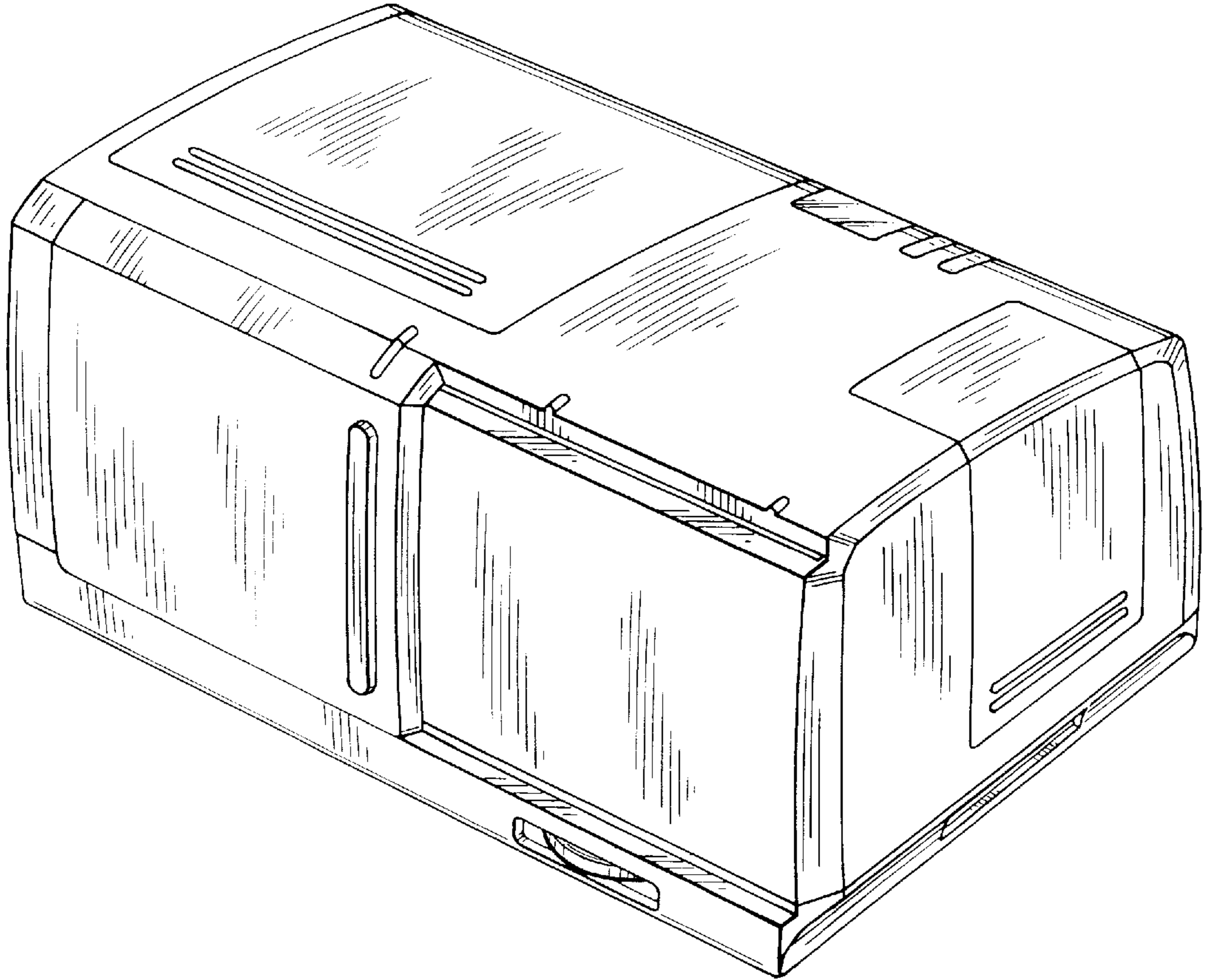


FIG. 2

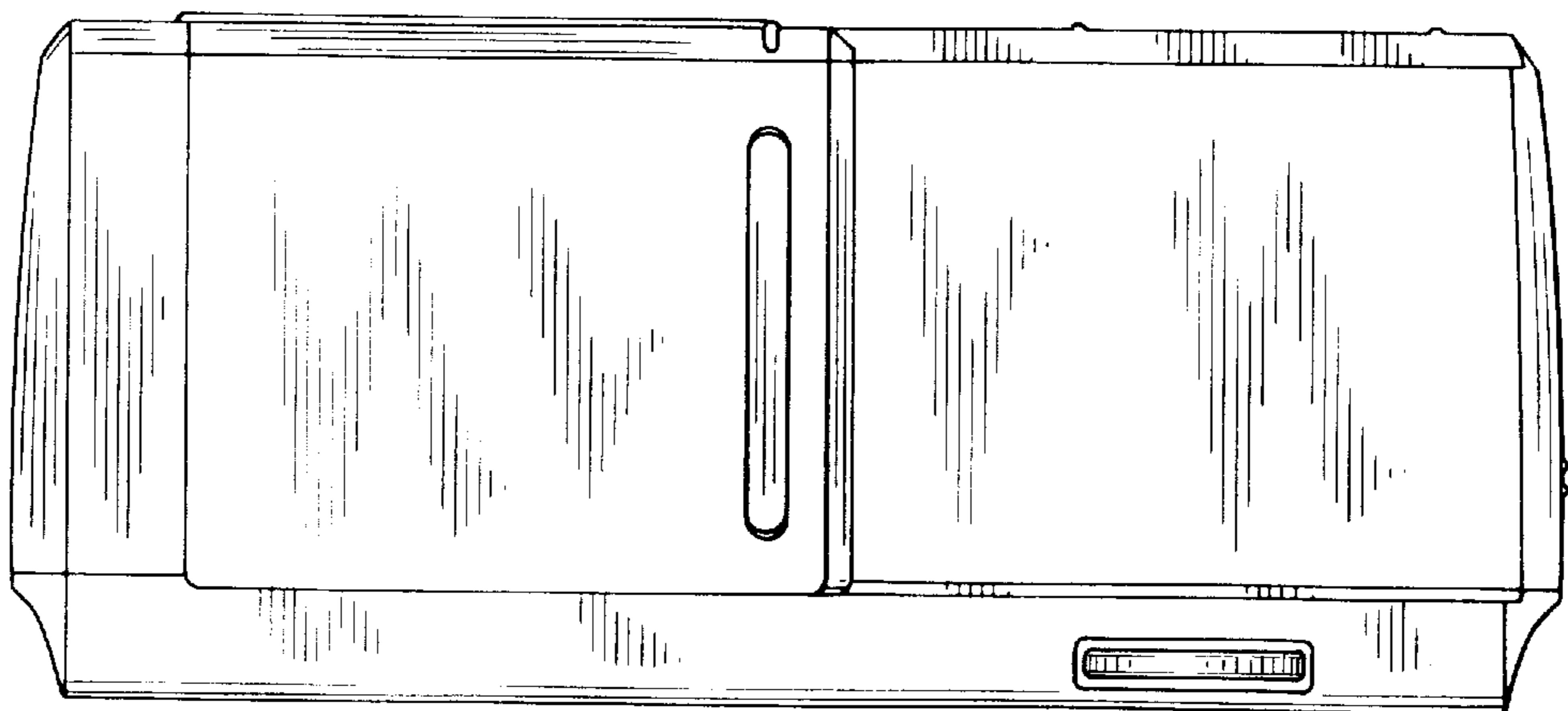


FIG. 3

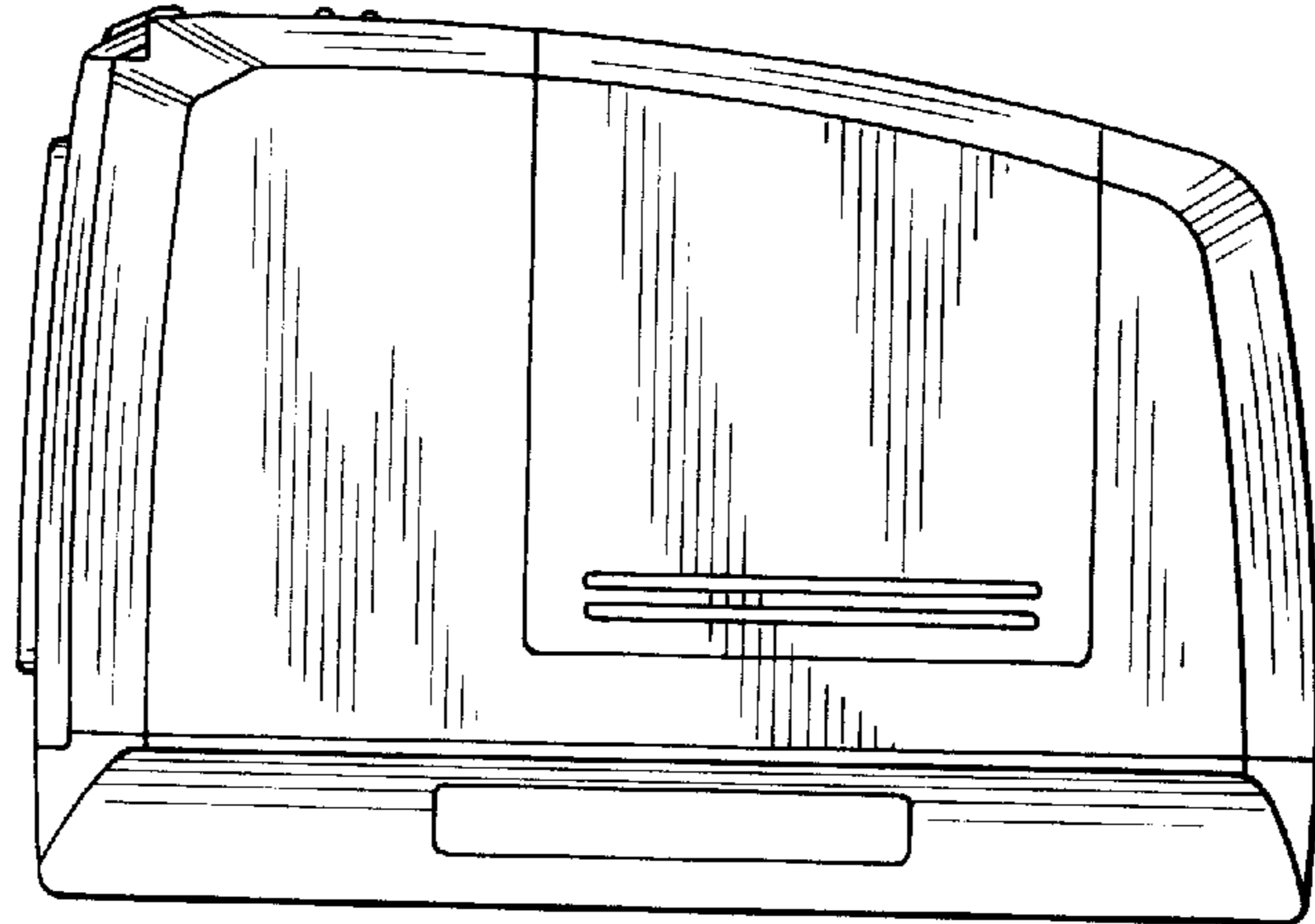


FIG. 4

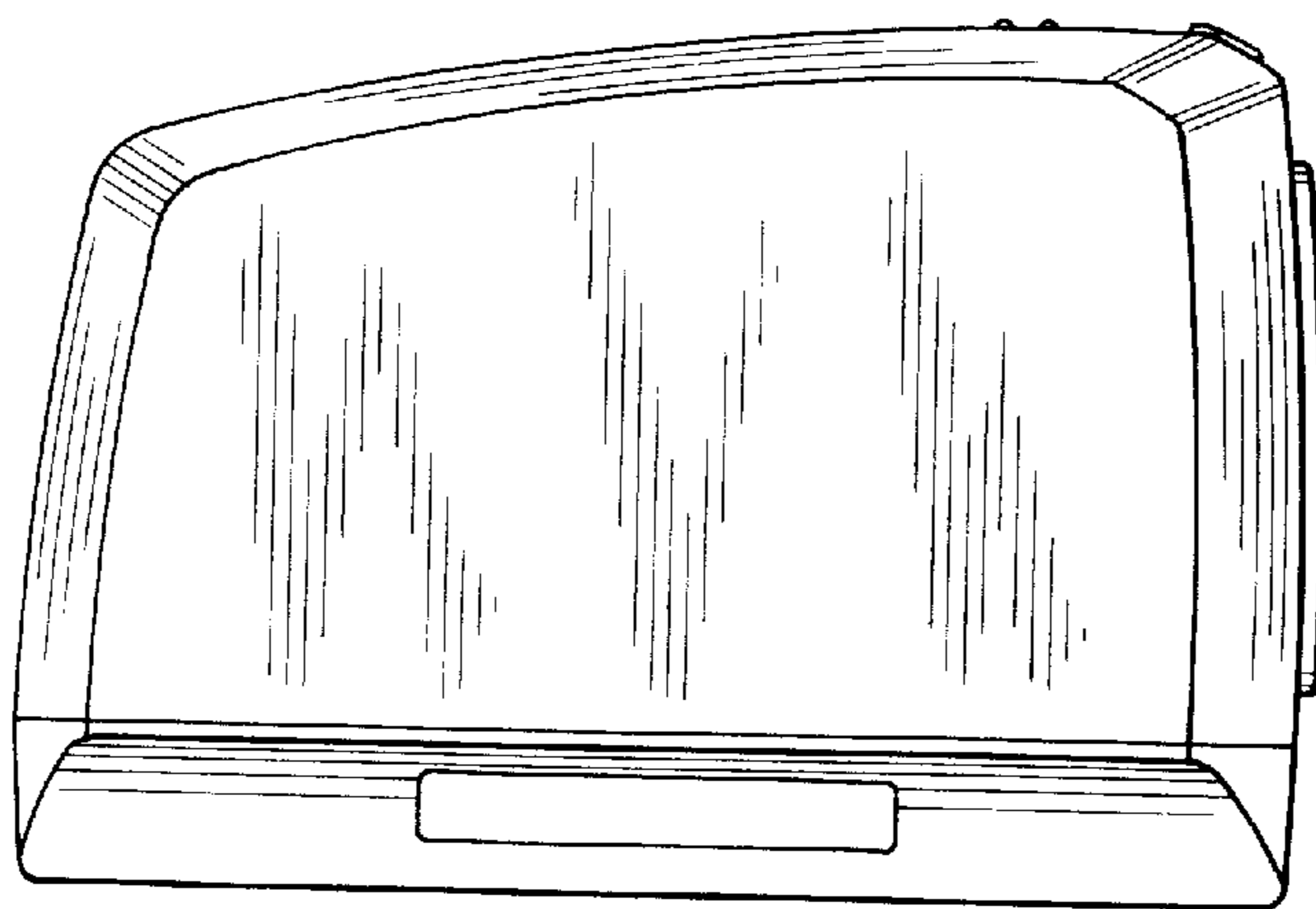


FIG. 5

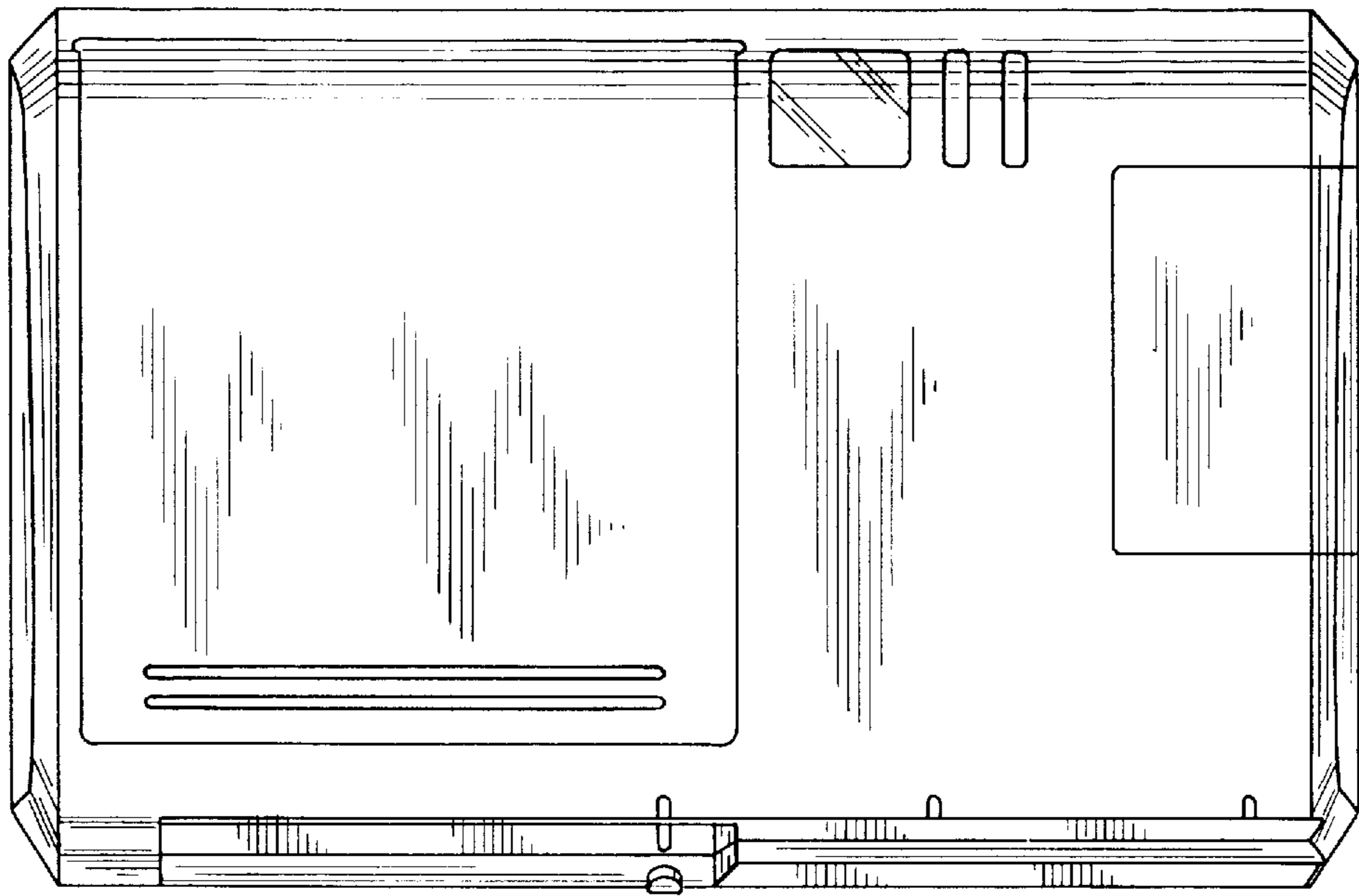


FIG. 6

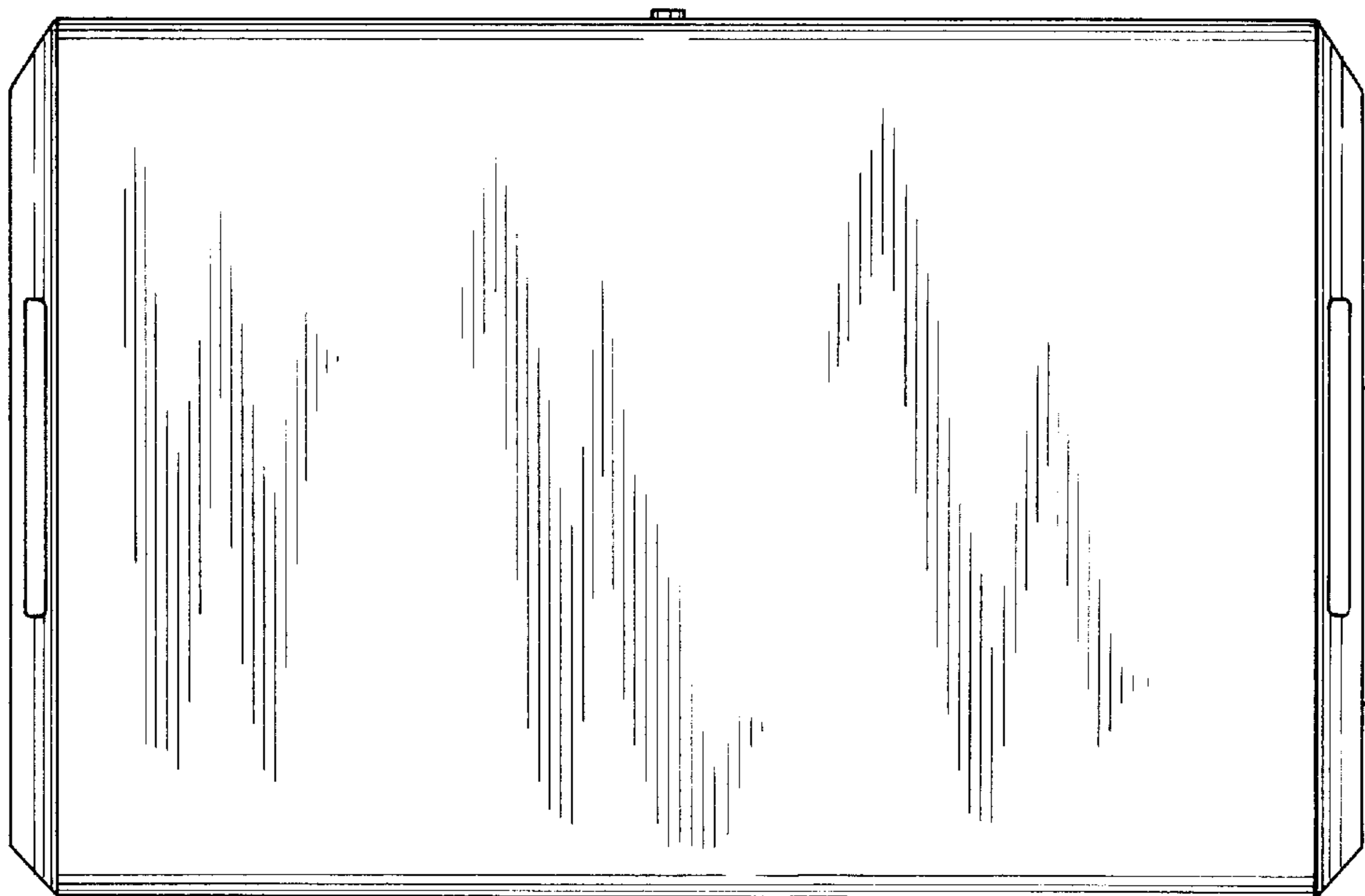


FIG. 7

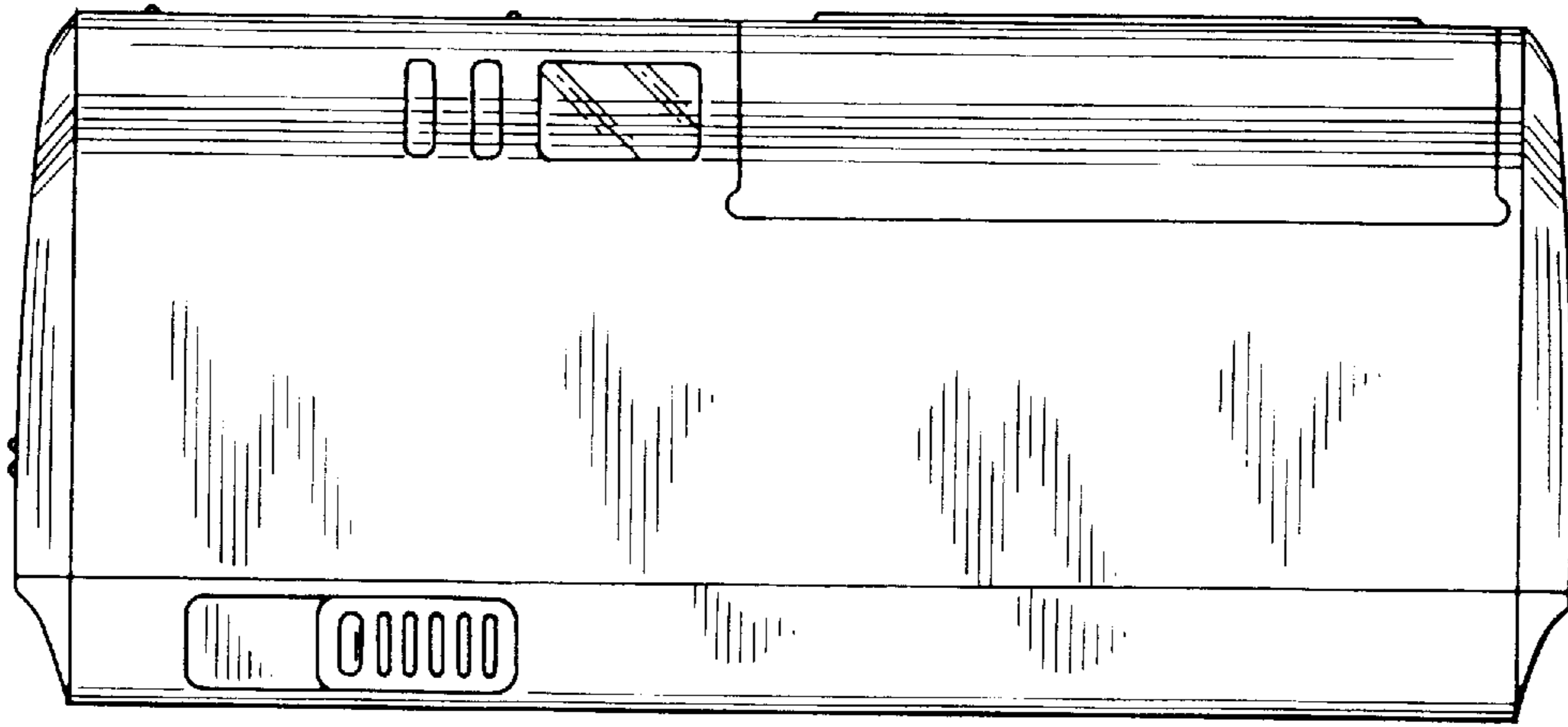


FIG. 8

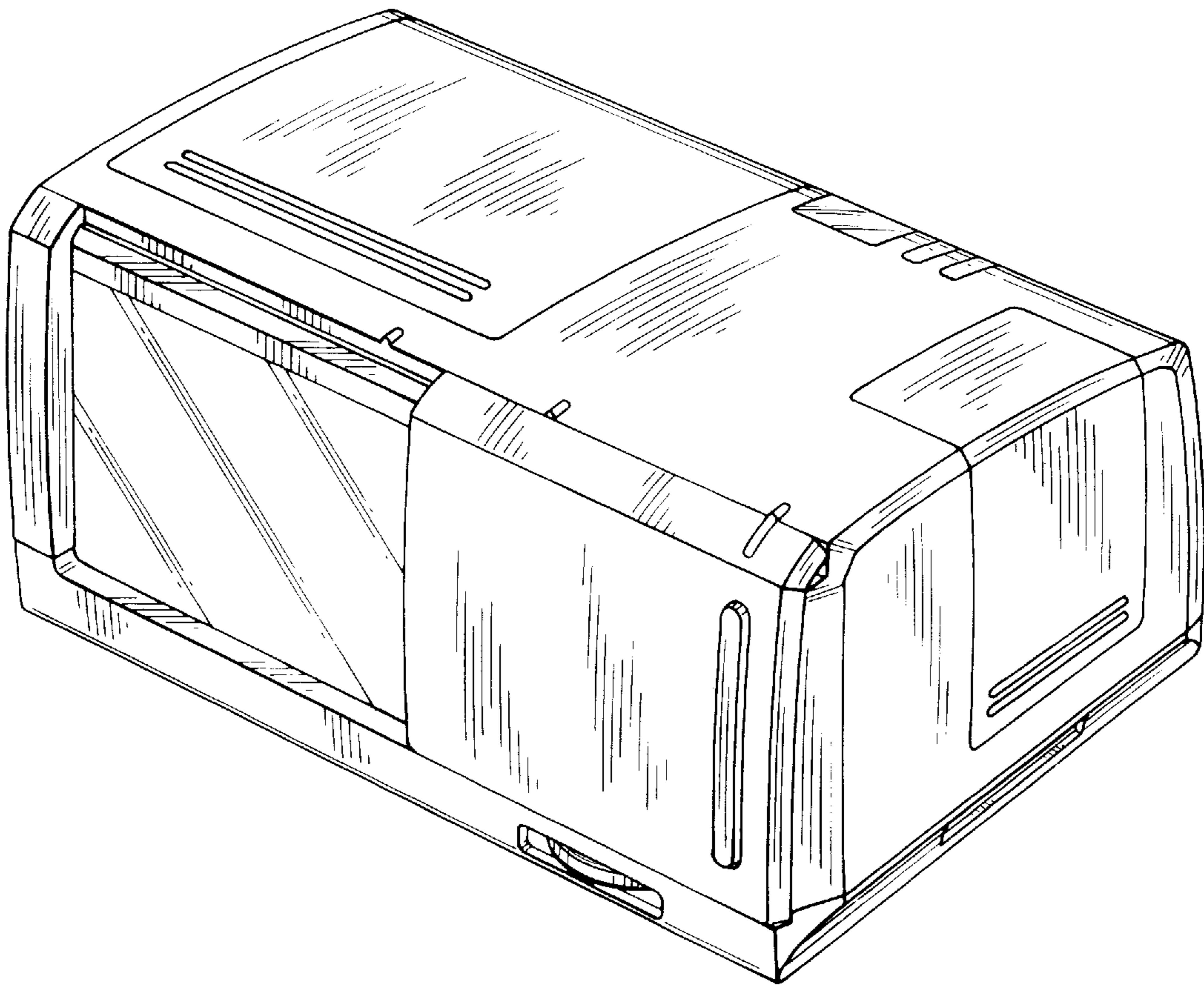


FIG. 9

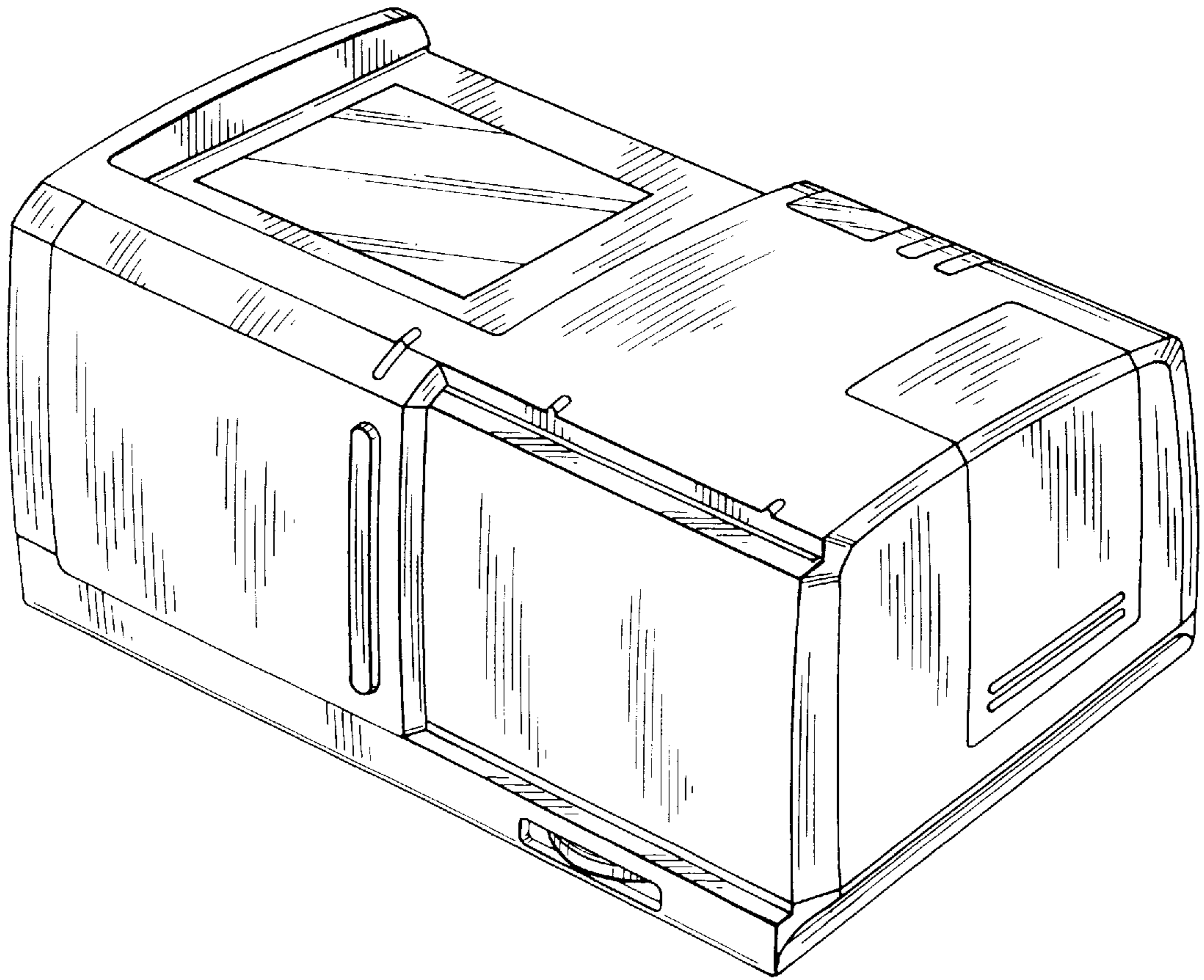


FIG. 10

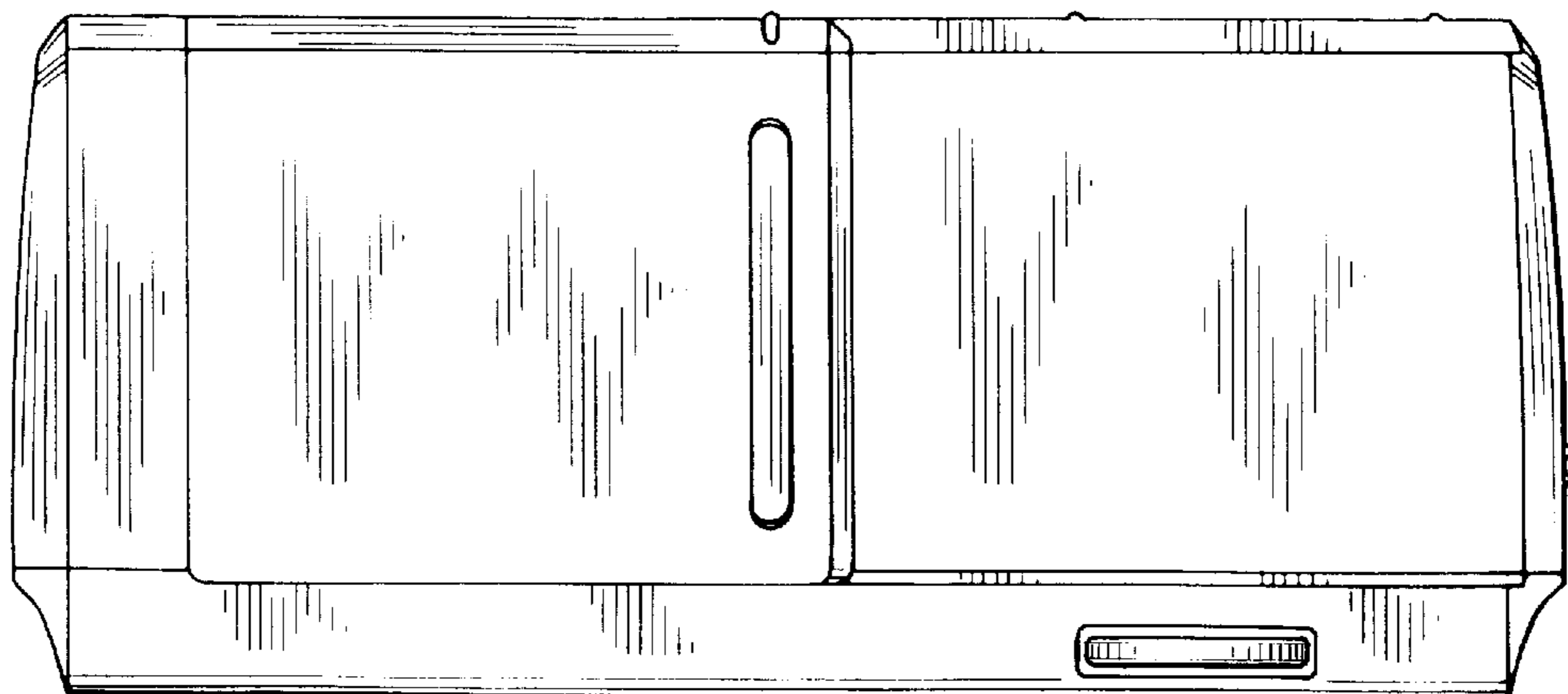


FIG. 11

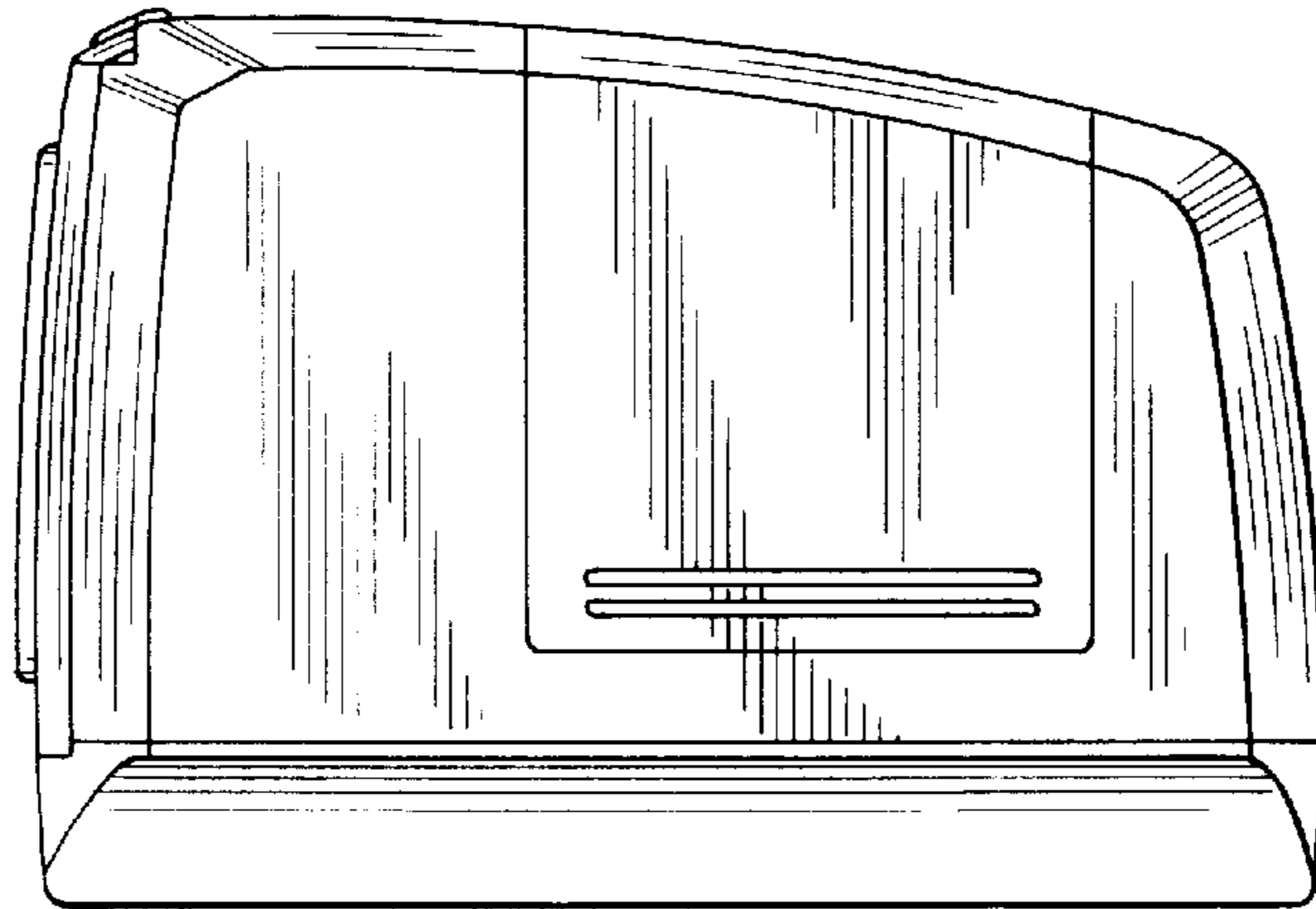


FIG. 12

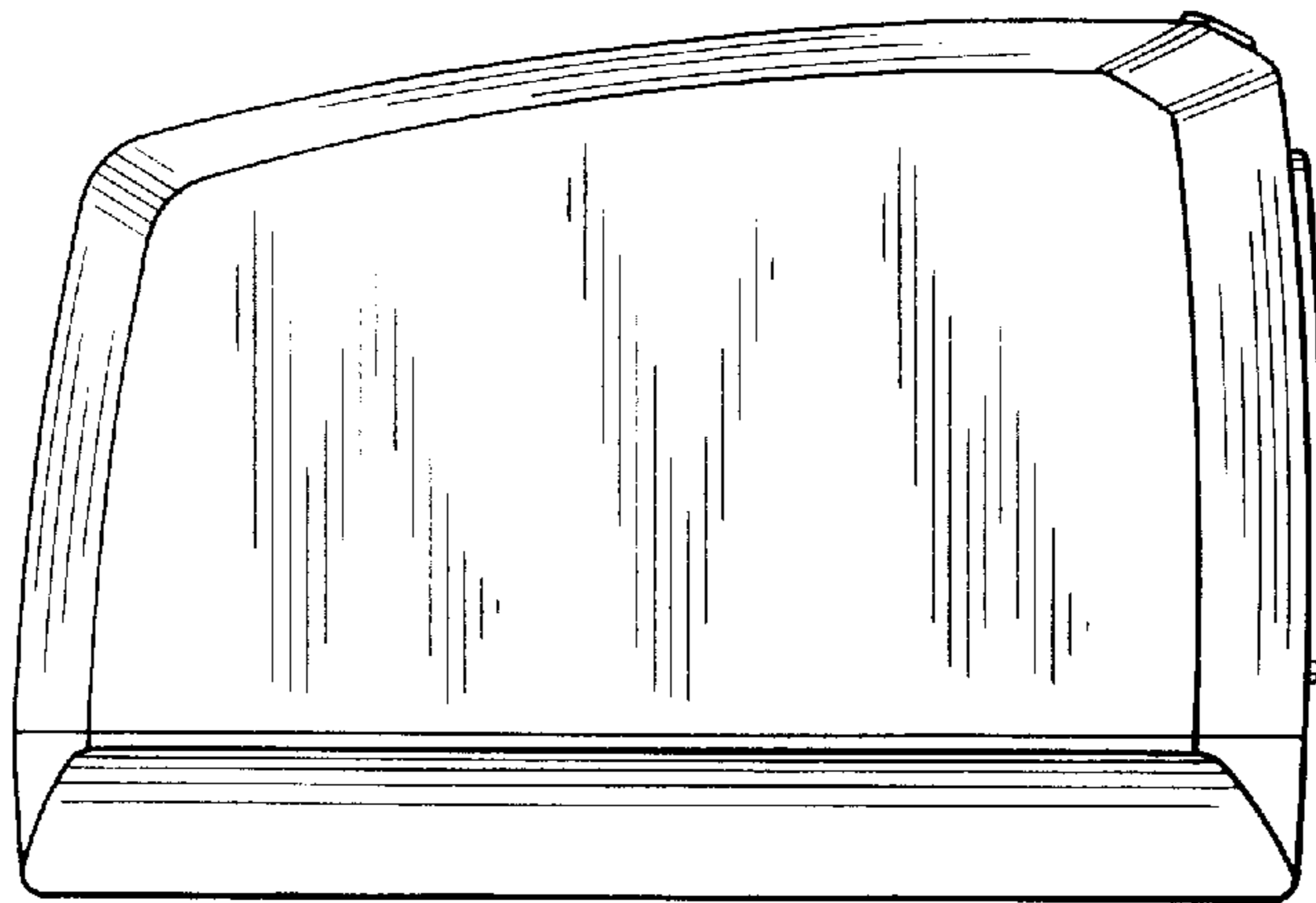


FIG. 13

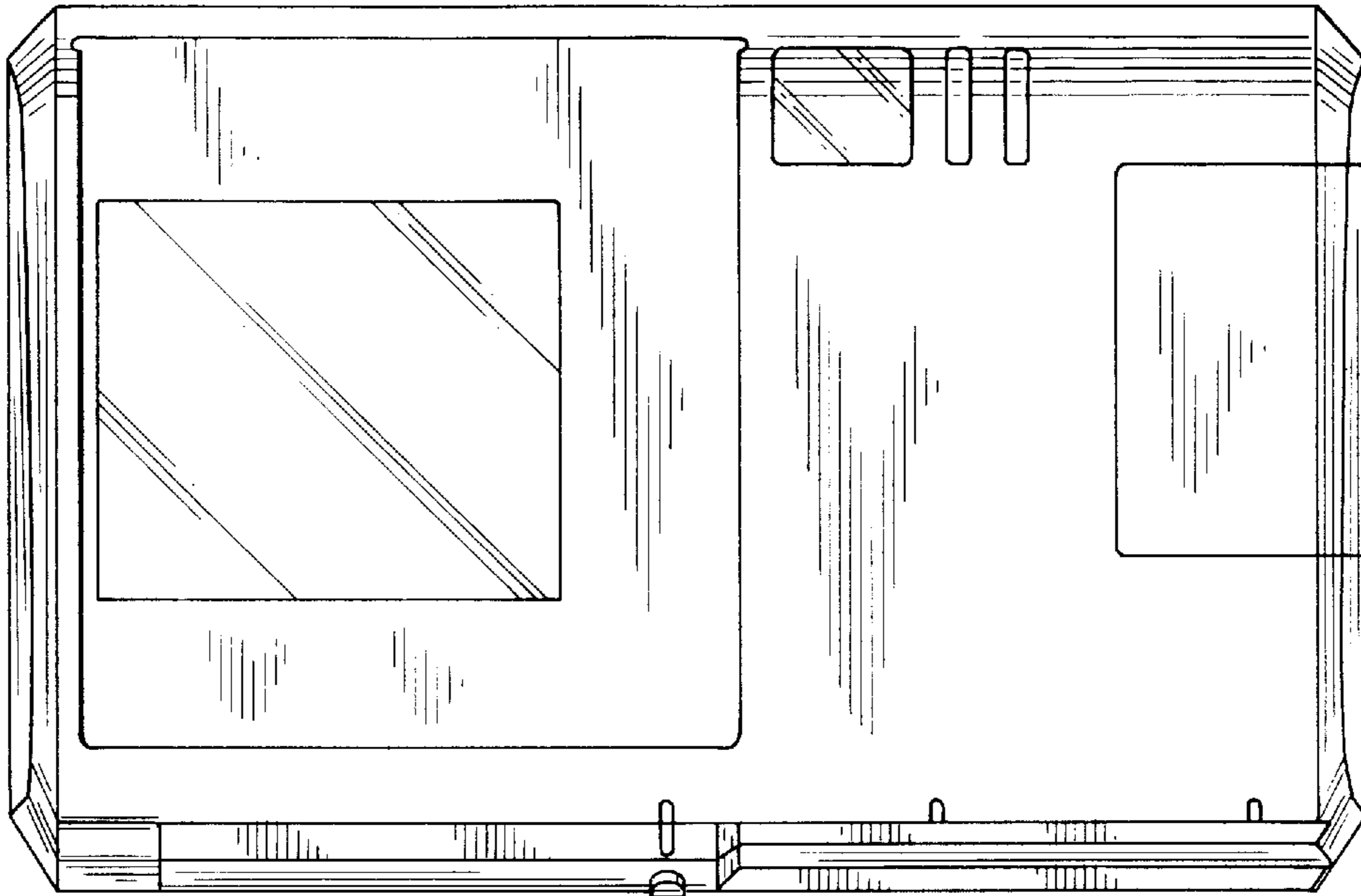


FIG. 14

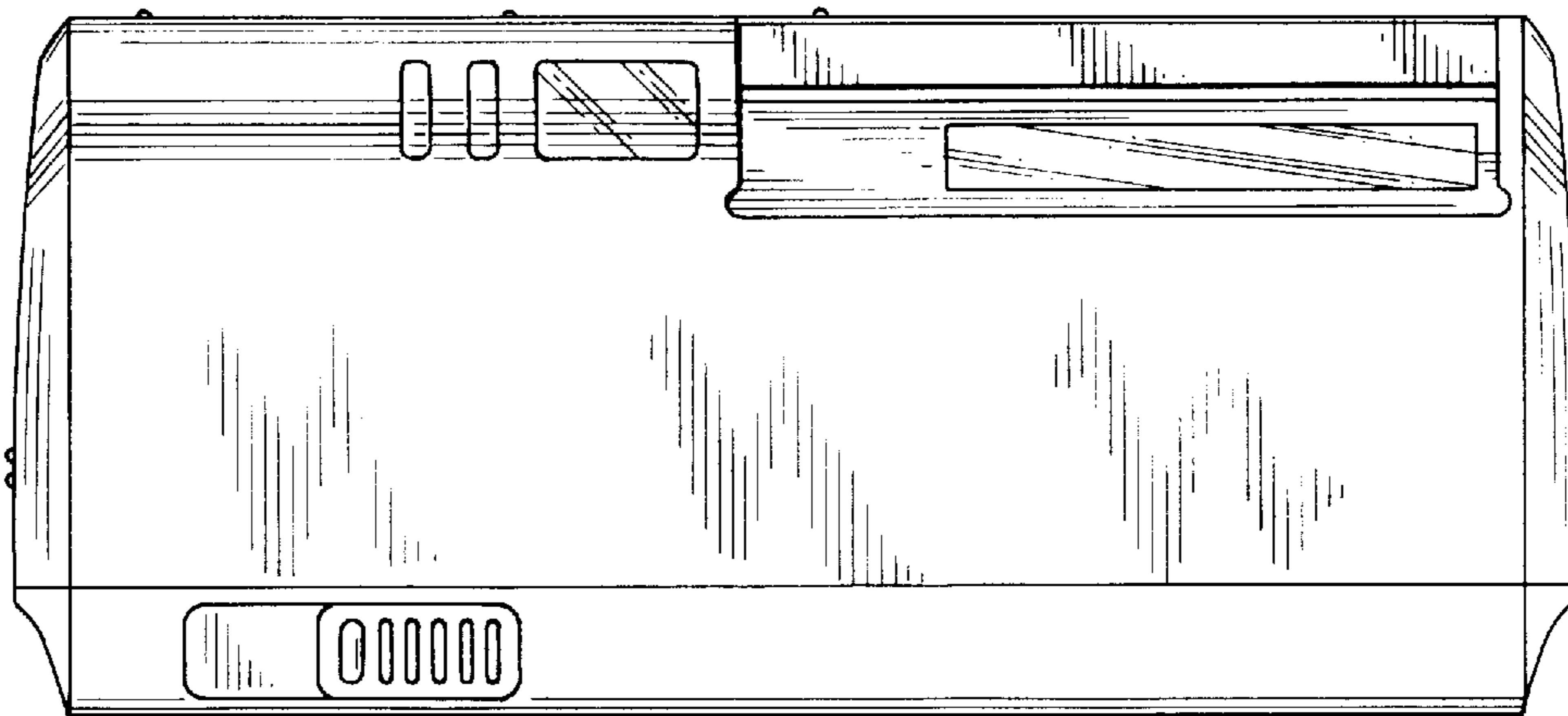


FIG. 15

