



US00D402277S

# United States Patent [19] Iino

[11] **Patent Number: Des. 402,277**

[45] **Date of Patent: \*\*Dec. 8, 1998**

[54] **ELECTRONIC COMPUTER**

[75] Inventor: **Masaaki Iino**, Saitama-ken, Japan

[73] Assignee: **Kabushiki Kaisha Toshiba**, Kawasaki, Japan

[\*\*] Term: **14 Years**

[21] Appl. No.: **65,271**

[22] Filed: **Jan. 31, 1997**

[30] **Foreign Application Priority Data**

Sep. 11, 1996 [JP] Japan ..... 8-26886

[51] **LOC (6) Cl.** ..... **14-02**

[52] **U.S. Cl.** ..... **D14/106**

[58] **Field of Search** ..... D14/100, 106, D14/113, 115; D18/1, 7; 235/145 A, 145 R; 345/104, 156, 168, 173; 341/22, 23; 361/680-686; 364/708.1; 400/486, 489

[56] **References Cited**

**U.S. PATENT DOCUMENTS**

- D. 365,806 1/1996 Hayami et al. .... D14/106
- D. 369,591 5/1996 Kondo ..... D14/106
- D. 375,294 11/1996 Iino ..... D14/106

**OTHER PUBLICATIONS**

Denpa Shinbun (ATT Wave Note) (Newspaper Article), Nihon NCR, Oct. 27, 1993.

NP-9200 Series, Broadax Systems, Inc. (Catalog), Apr., 10, 1995.

*Primary Examiner*—Freda Nunn

*Attorney, Agent, or Firm*—Banner & Witcoff, Ltd.

[57] **CLAIM**

The ornamental design for an electronic computer, as shown and described.

**DESCRIPTION**

FIG. 1 is a top, front and right side perspective view of an electronic computer showing my new design;  
 FIG. 2 is a front elevational view thereof;  
 FIG. 3 is a rear elevational view thereof;  
 FIG. 4 is a top plan view thereof;  
 FIG. 5 is a left side elevational view thereof;  
 FIG. 6 is a right side elevational view thereof;  
 FIG. 7 is a bottom plan view thereof;  
 FIG. 8 is a front elevational view in a closed position thereof;  
 FIG. 9 is a top plan view in the closed position thereof; and,  
 FIG. 10 is a right side elevational view in the closed position.

**1 Claim, 5 Drawing Sheets**

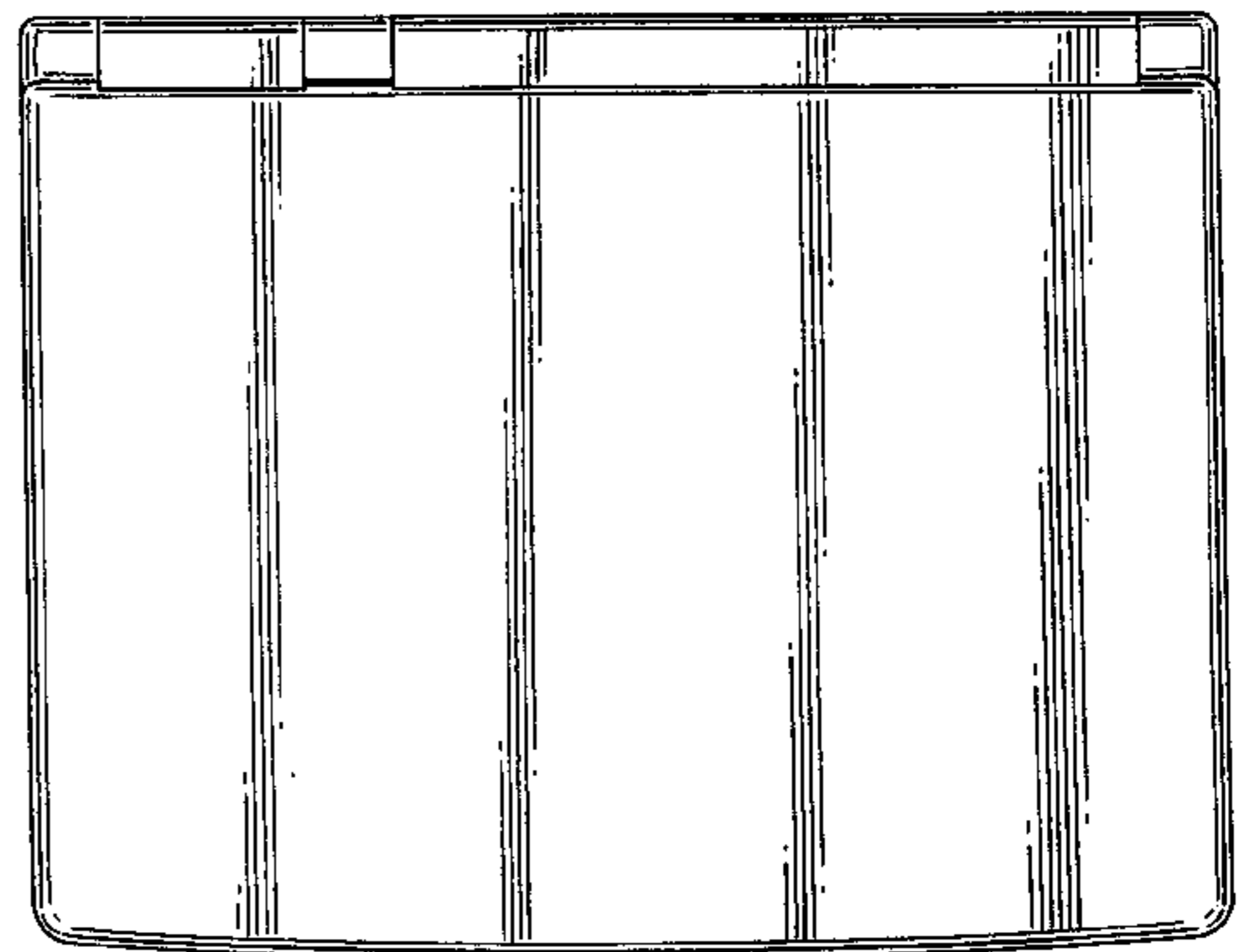
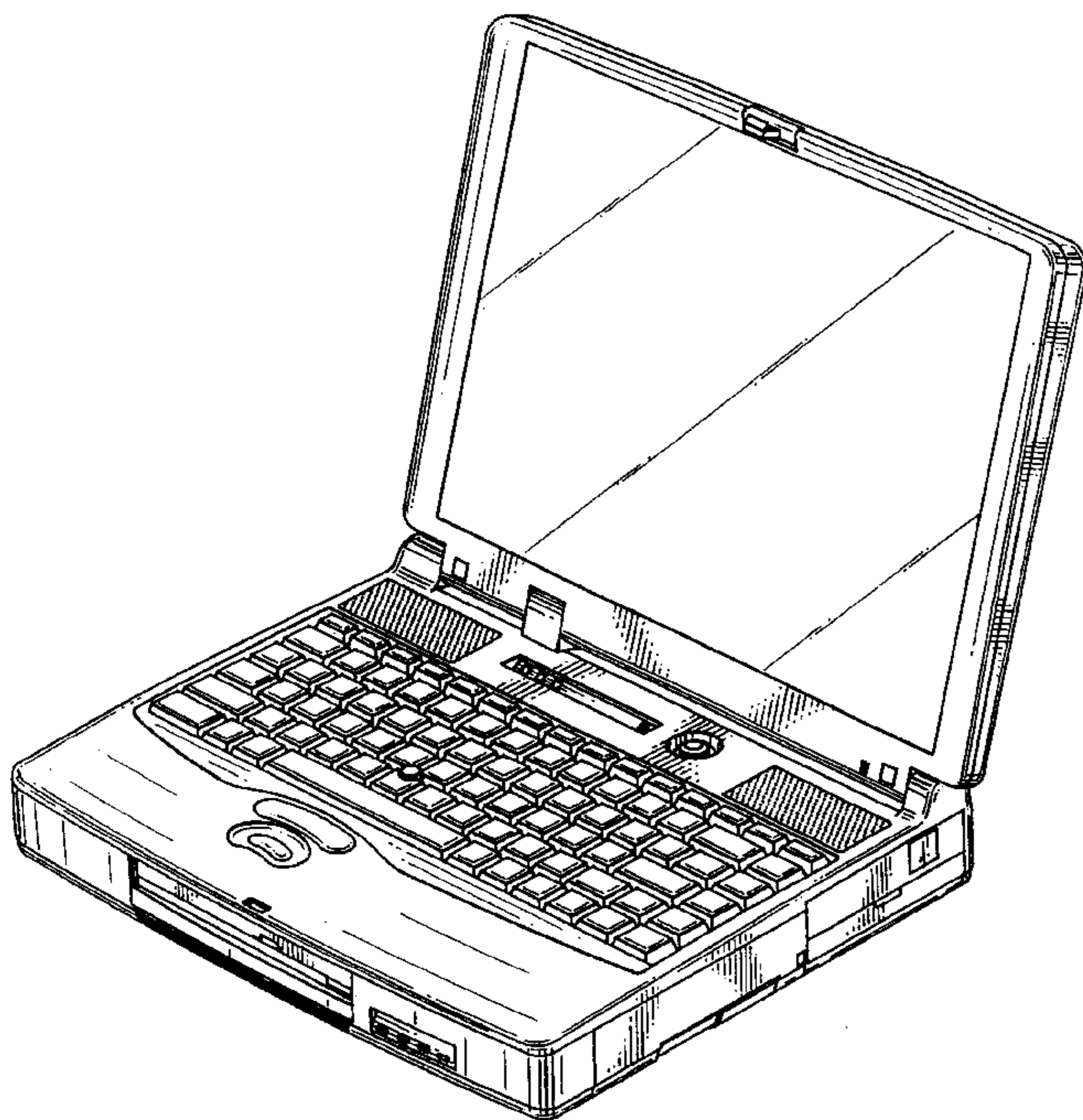


FIG. 1

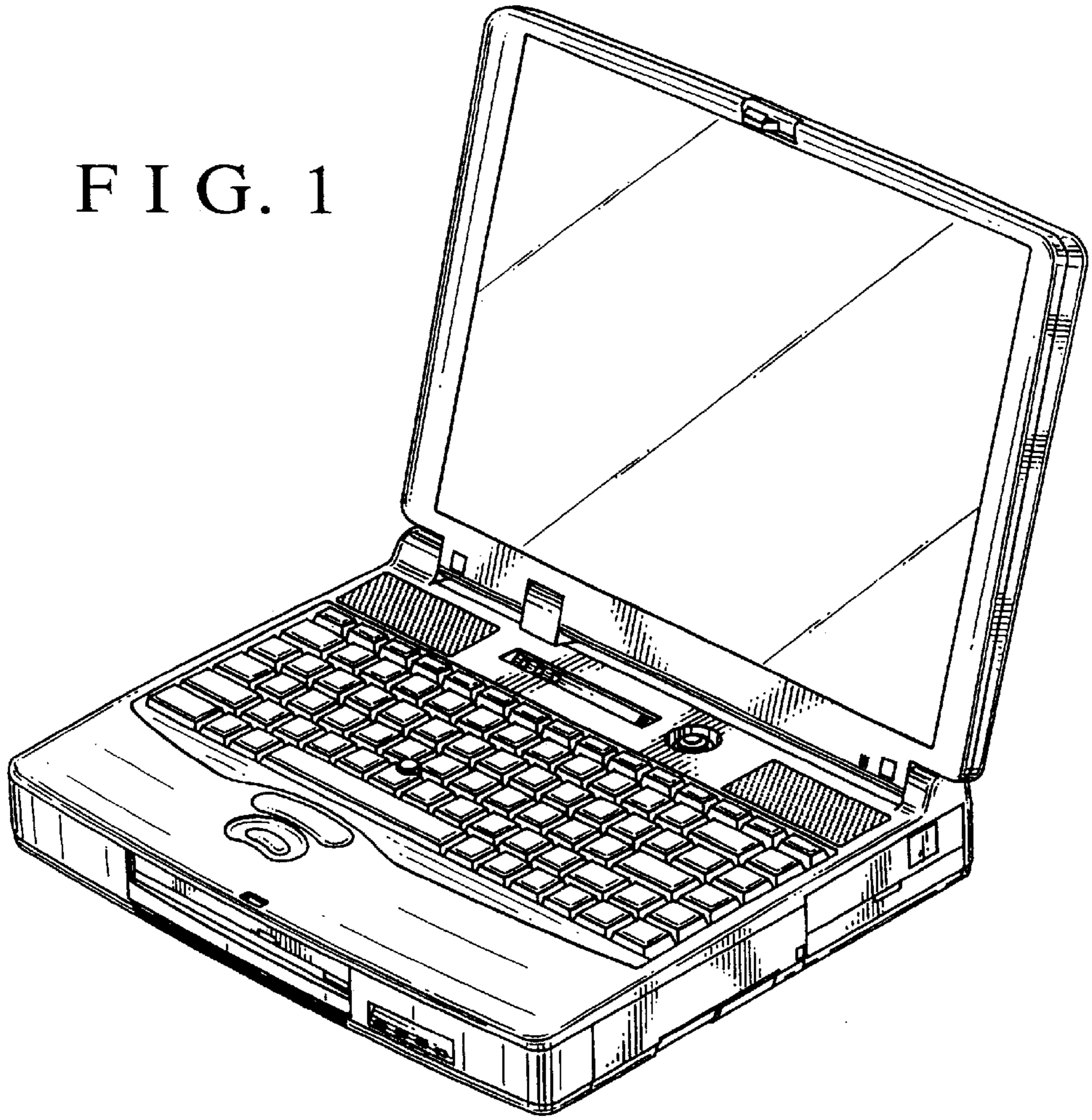


FIG. 2

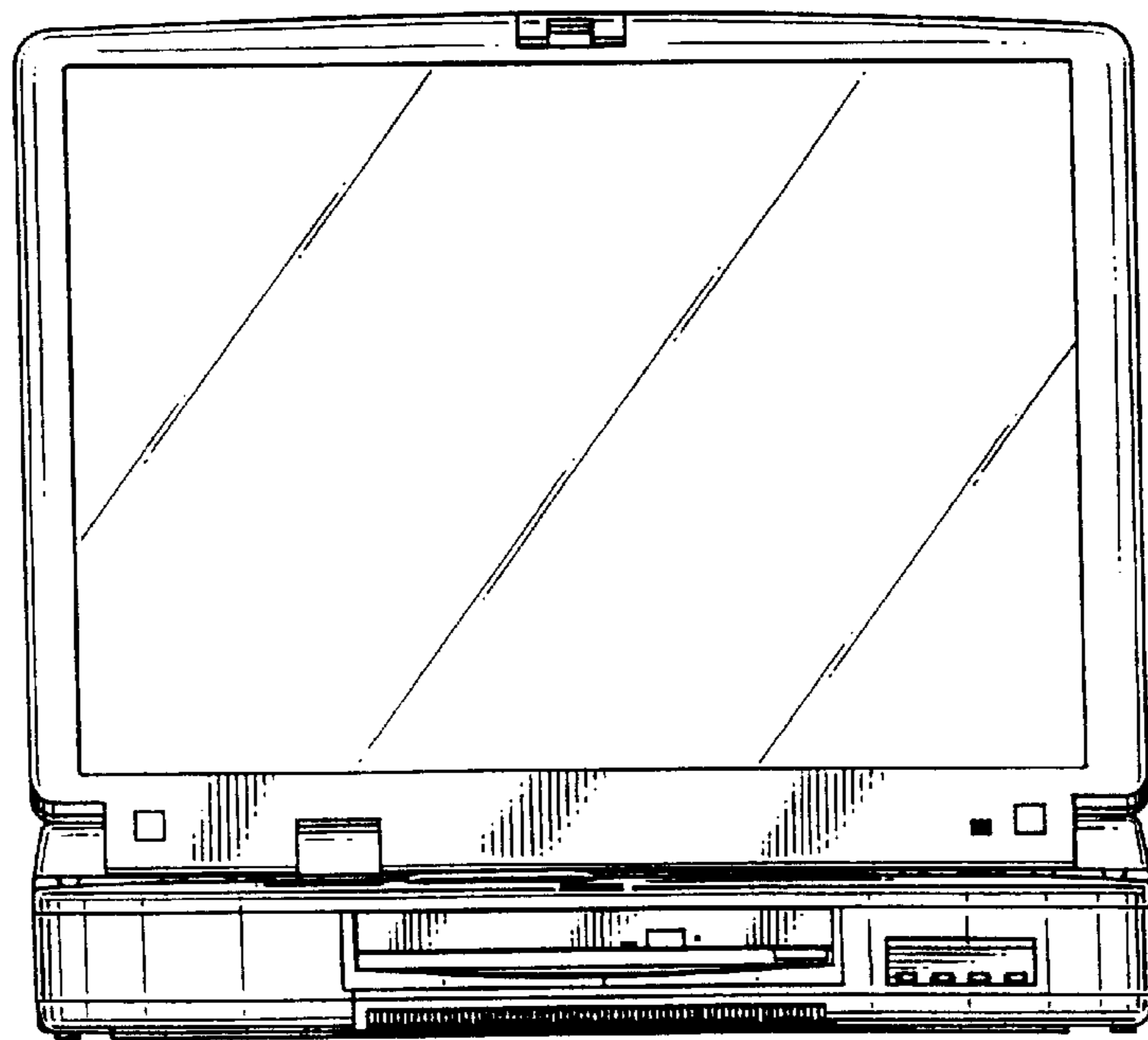


FIG. 3

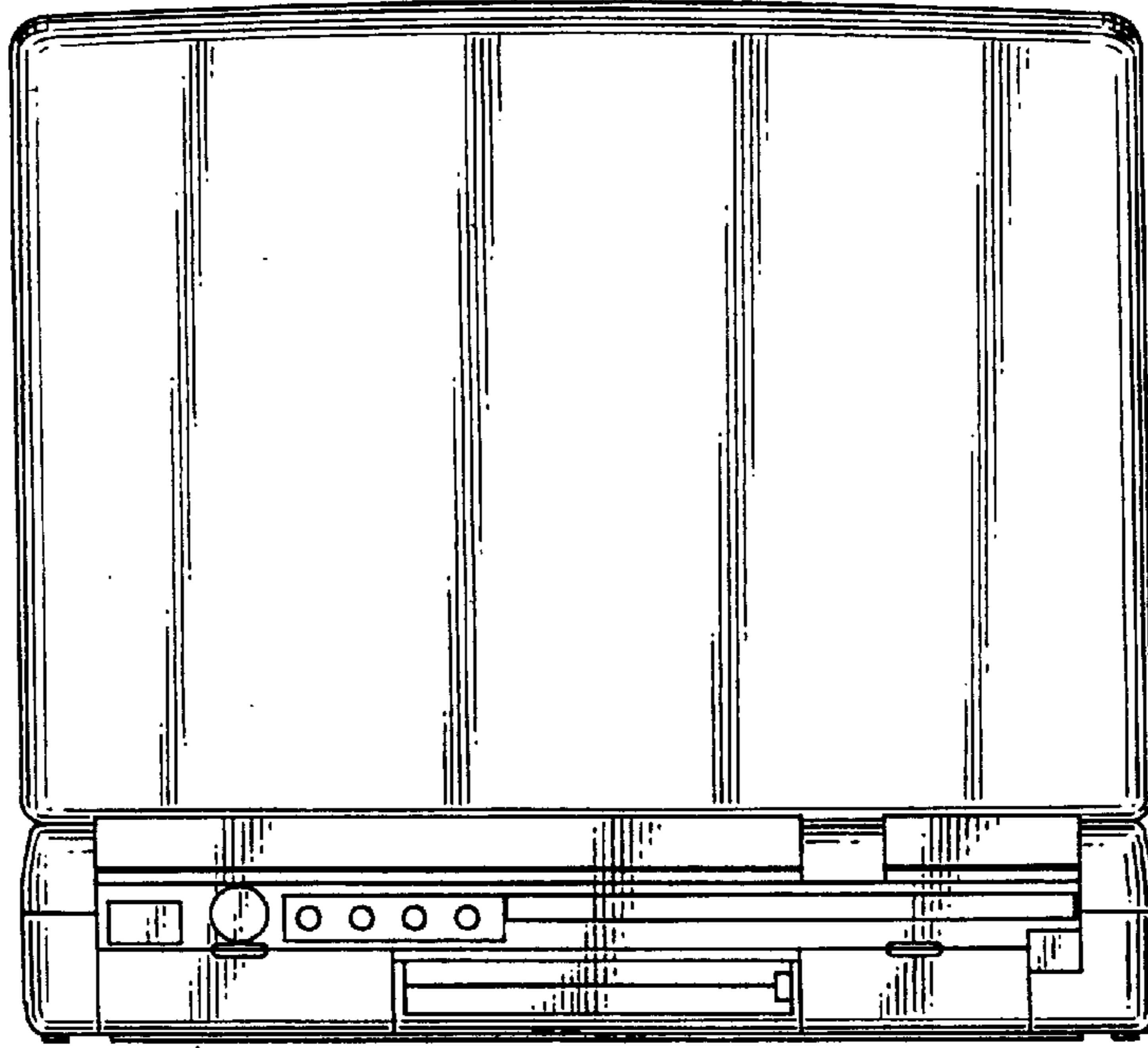


FIG. 4

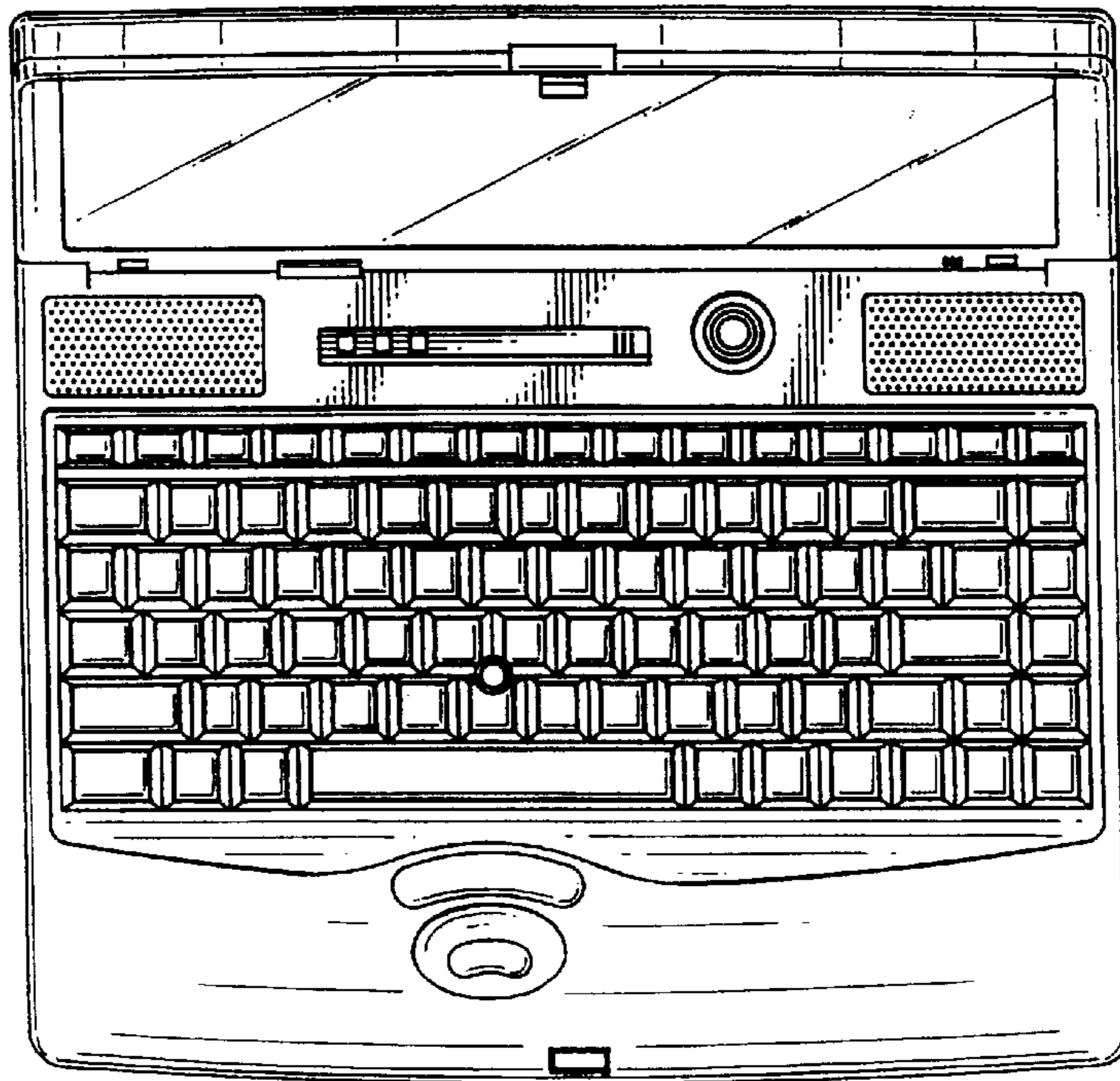


FIG. 5

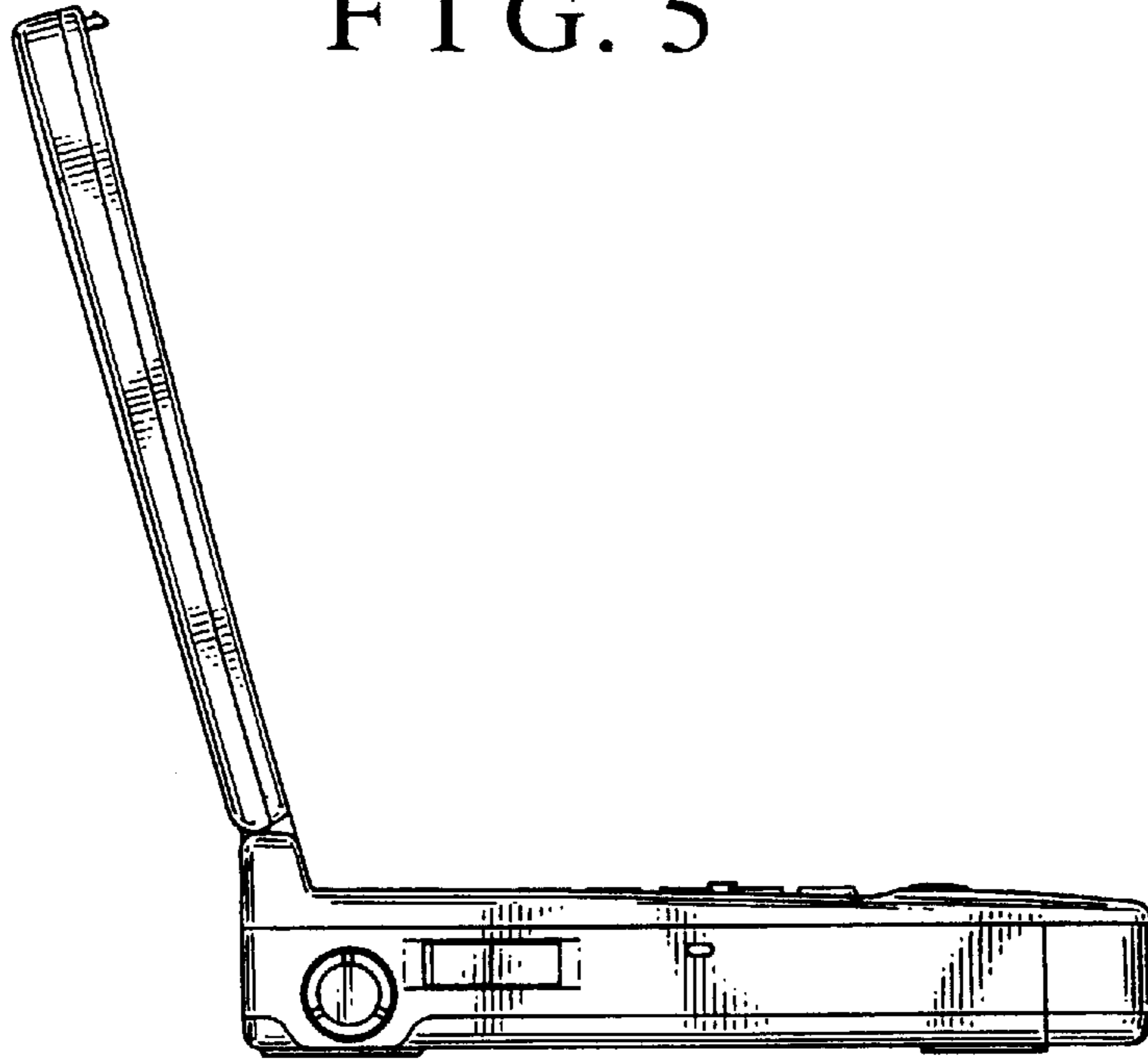


FIG. 6

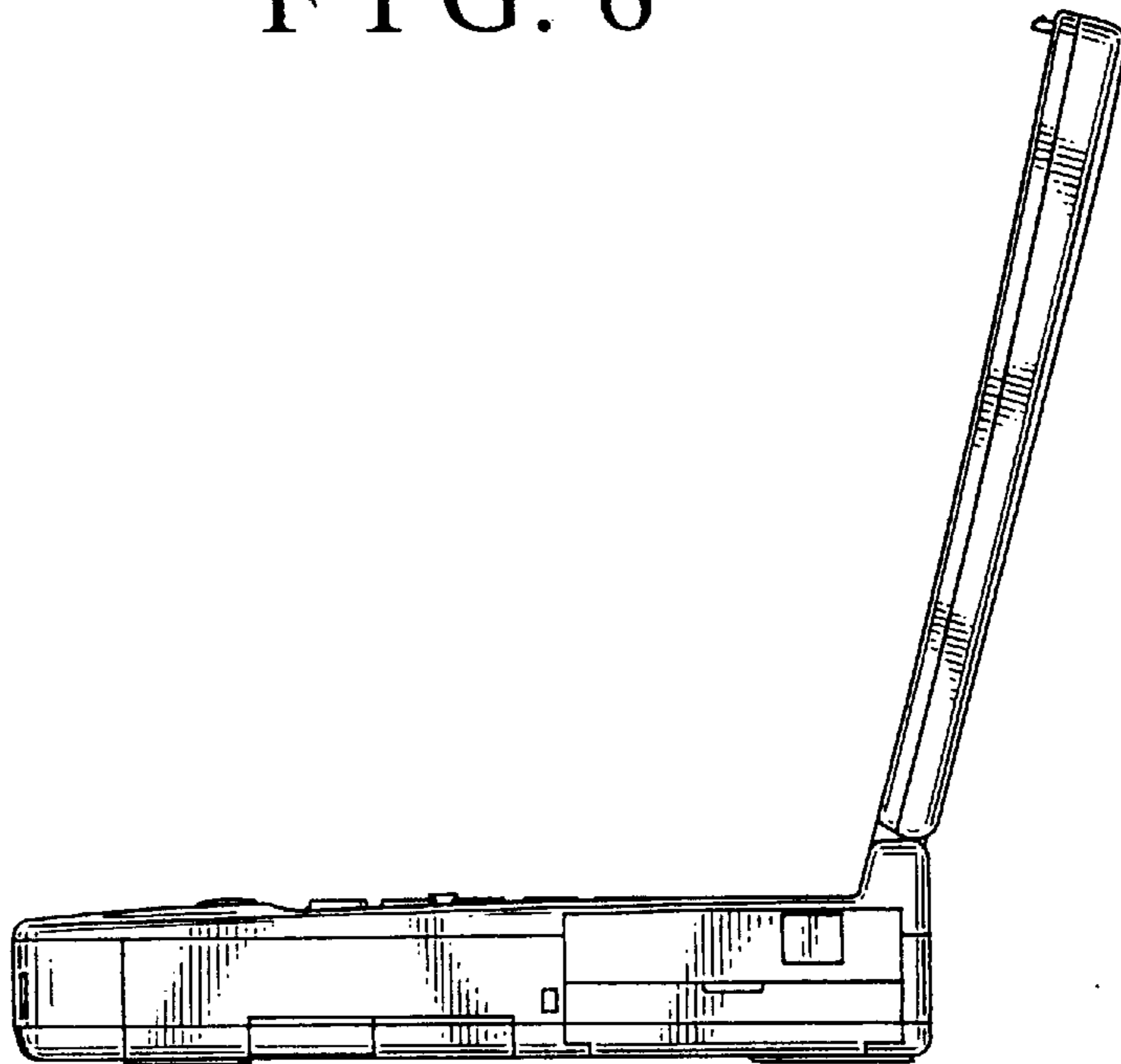


FIG. 7

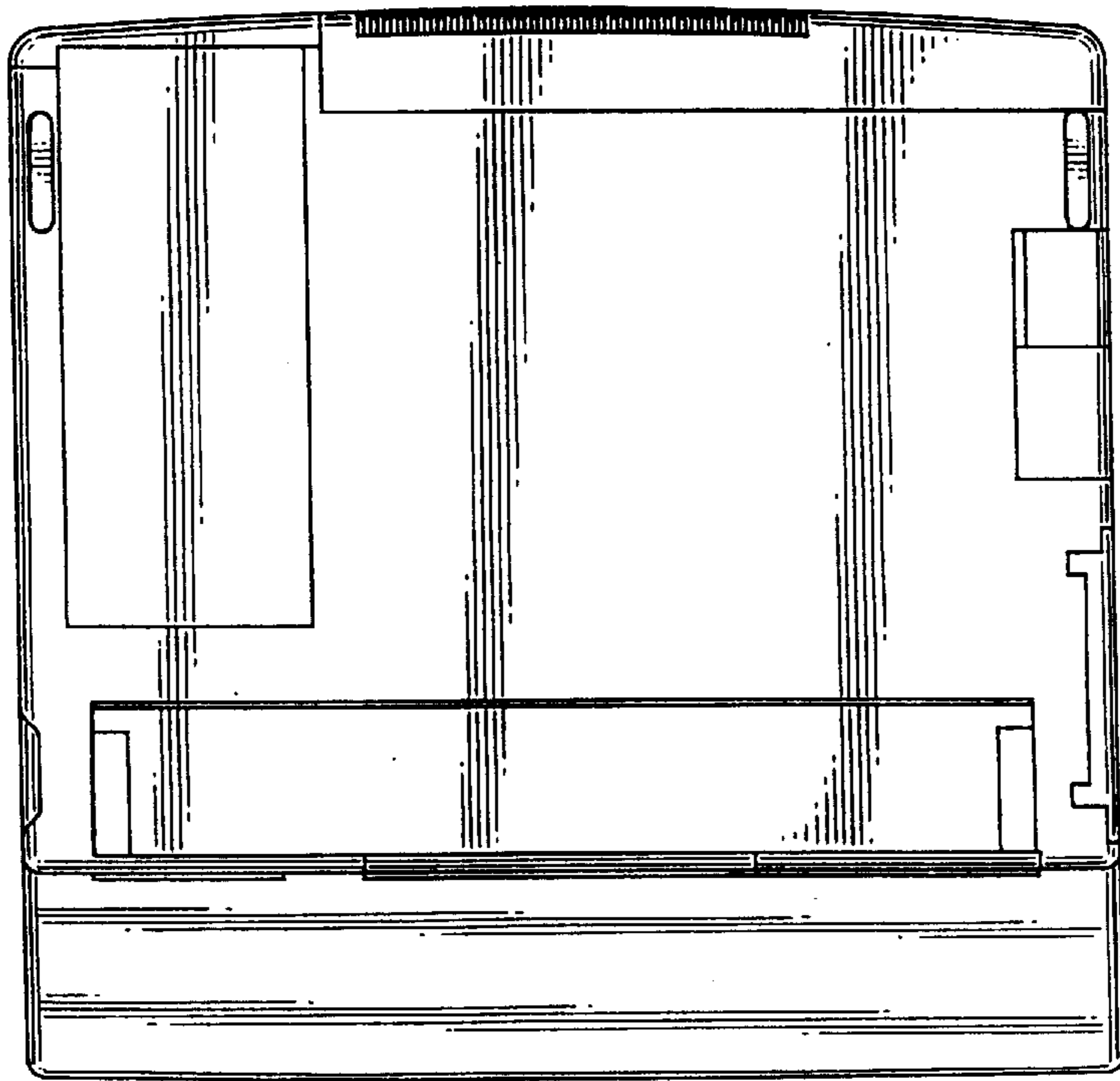


FIG. 8



FIG. 9

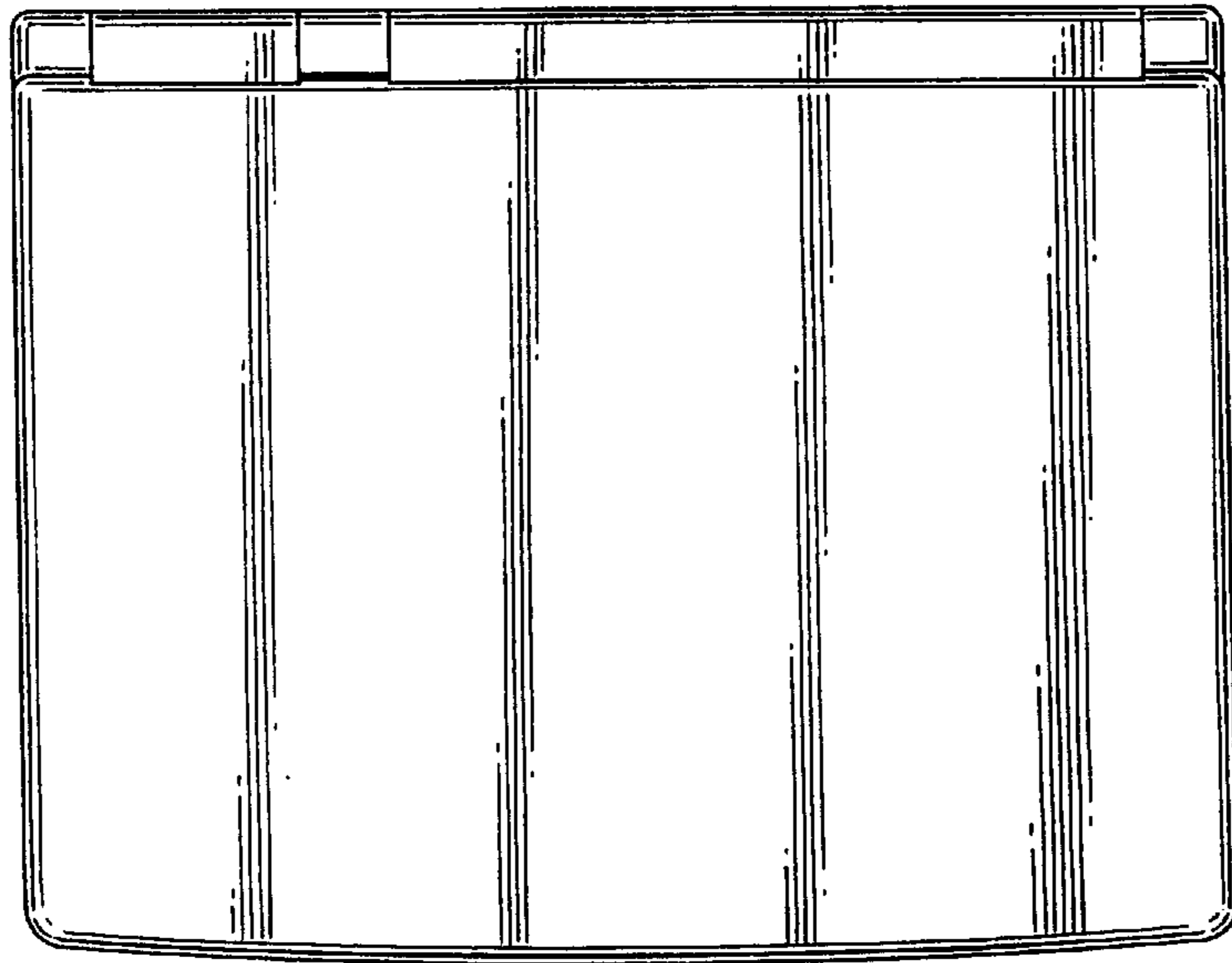


FIG. 10

