



US00D402275S

United States Patent [19] Korhonen

[11] **Patent Number: Des. 402,275**

[45] **Date of Patent: **Dec. 8, 1998**

[54] **ENCLOSURE FOR ELECTRONIC AND ELECTRIC COMPONENTS**

740/95 11/1995 Finland 13/3
742/95 11/1995 Finland 13/3

[75] Inventor: **Olli Korhonen**, Espoo, Finland

[73] Assignee: **Fibox Oy AB**, Jorvas, Finland

[**] Term: **14 Years**

[21] Appl. No.: **74,360**

[22] Filed: **Aug. 1, 1997**

[30] **Foreign Application Priority Data**

Feb. 12, 1997 [FI] Finland 120/97

[51] **LOC (6) Cl. 13-03**

[52] **U.S. Cl. D13/184**

[58] **Field of Search D13/184; 174/80,
174/52.1, 35 R; 361/600**

[56] **References Cited**

U.S. PATENT DOCUMENTS

D. 260,090 8/1981 Hughes et al. D13/184
D. 308,854 6/1990 Furhmann et al. D13/184
5,317,462 5/1994 Kakizaki et al. D13/184

FOREIGN PATENT DOCUMENTS

439/95 6/1995 Finland 13/3

Primary Examiner—Brian N. Vinson
Attorney, Agent, or Firm—Finnegan, Henderson, Farabow,
Garrett & Dunner, L.L.P.

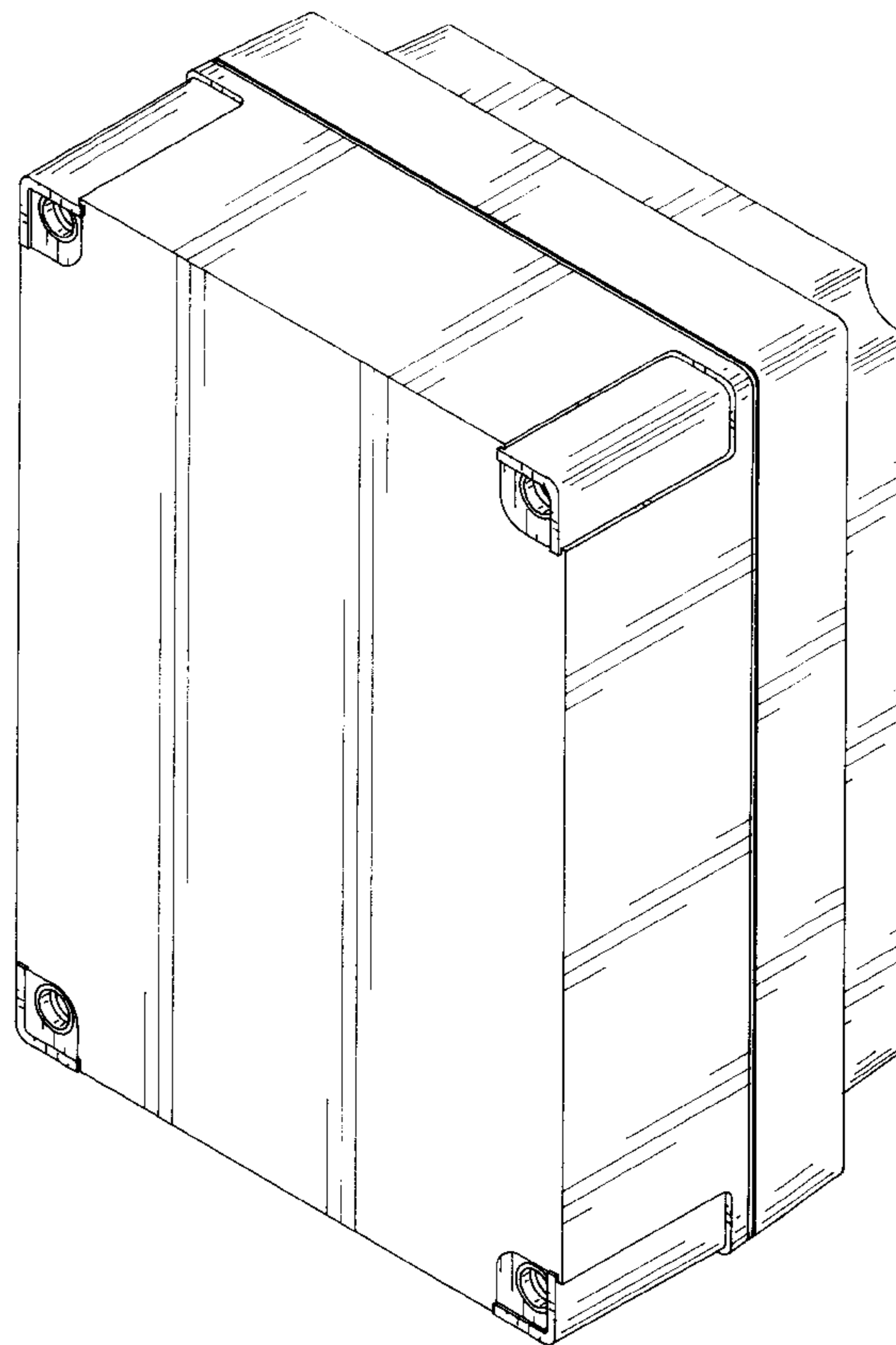
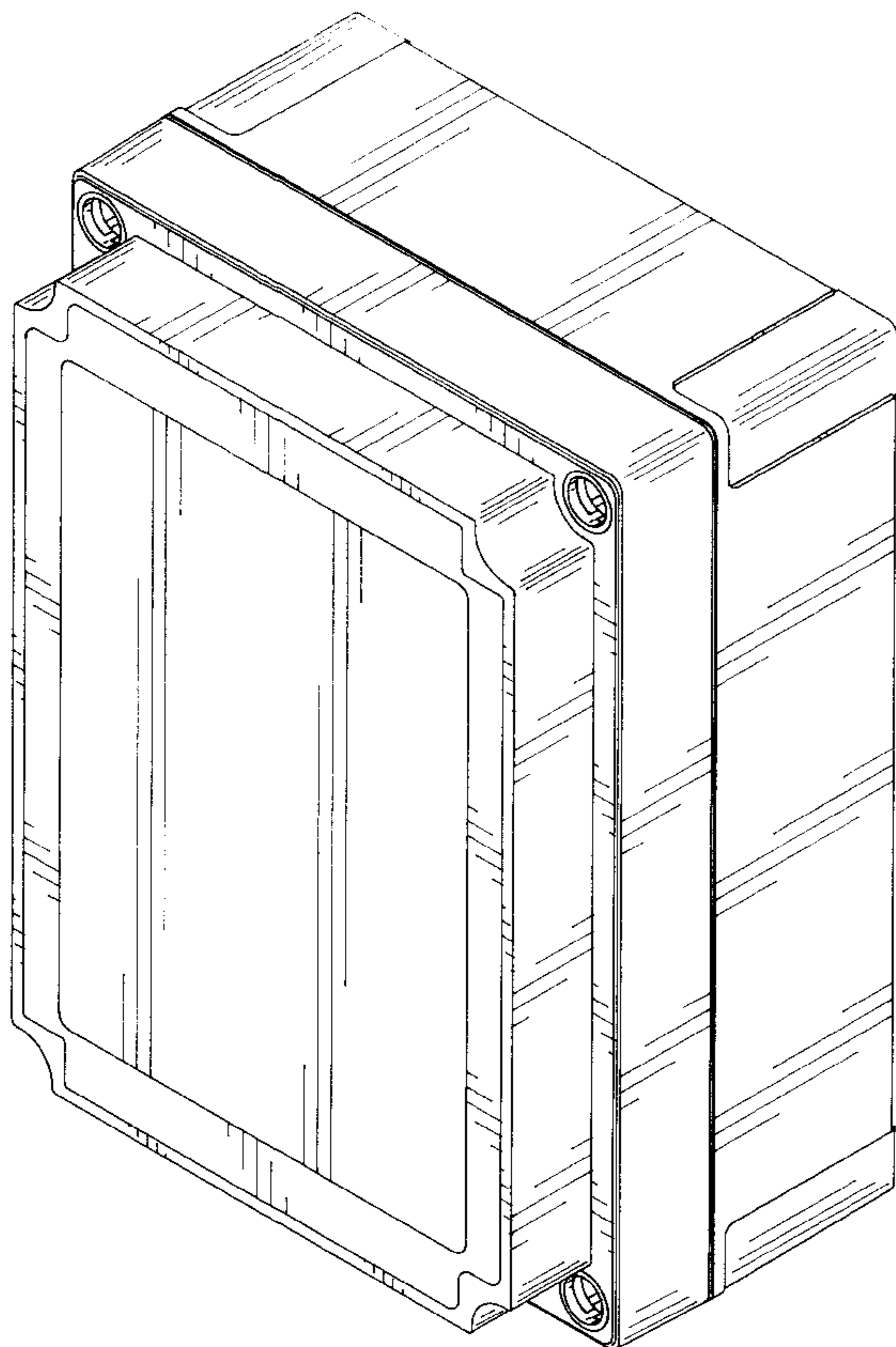
[57] **CLAIM**

The ornamental design for an enclosure for electronic and electric components, as shown and described.

DESCRIPTION

FIG. 1 is a perspective front view of an enclosure for electronic and electric components showing my new design; FIG. 2 is a perspective rear view thereof; FIG. 3 is a front view thereof; FIG. 4 is a rear view thereof; FIG. 5 is a right side view thereof; FIG. 6 is a left side view thereof; FIG. 7 is a top view thereof; FIG. 8 is a bottom view thereof; FIG. 9 is a perspective inside front view of the cover of the enclosure for electronic and electric compnents from FIG. 1; and, FIG. 10 is a perspective inside rear view of the bottom of the enclosure for electronic and electric components from FIG. 1.

1 Claim, 5 Drawing Sheets



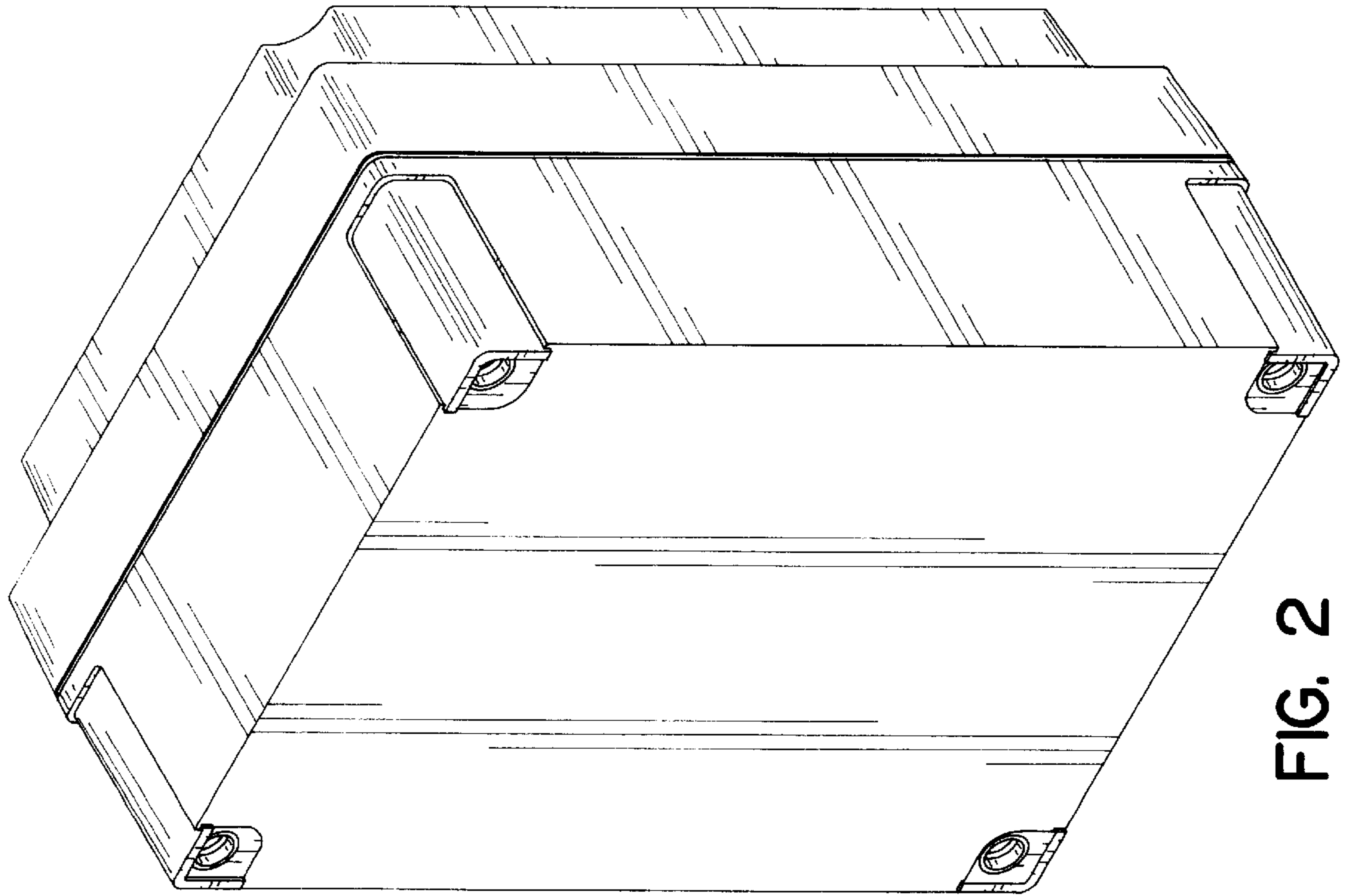


FIG. 2

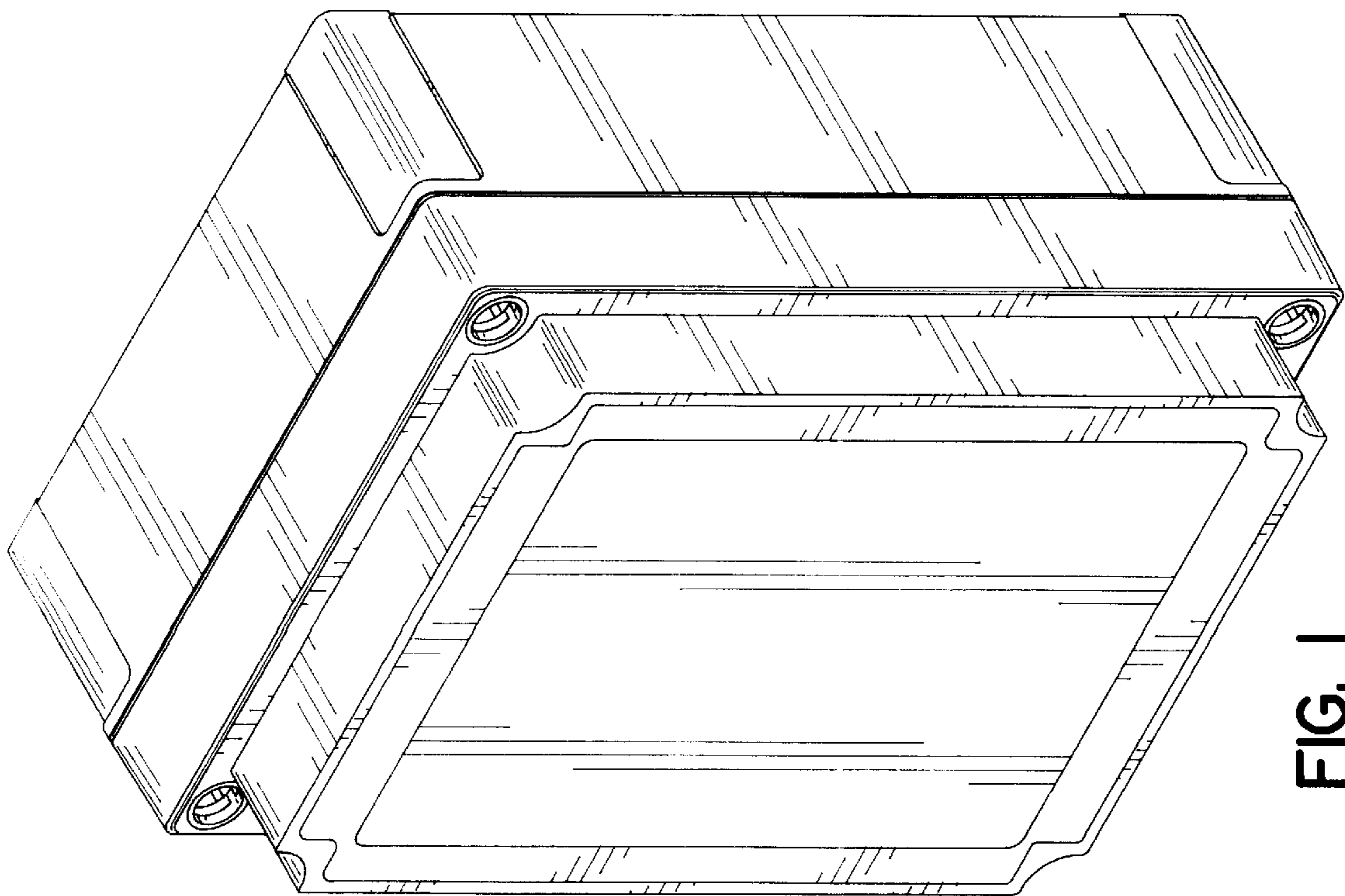


FIG. 1

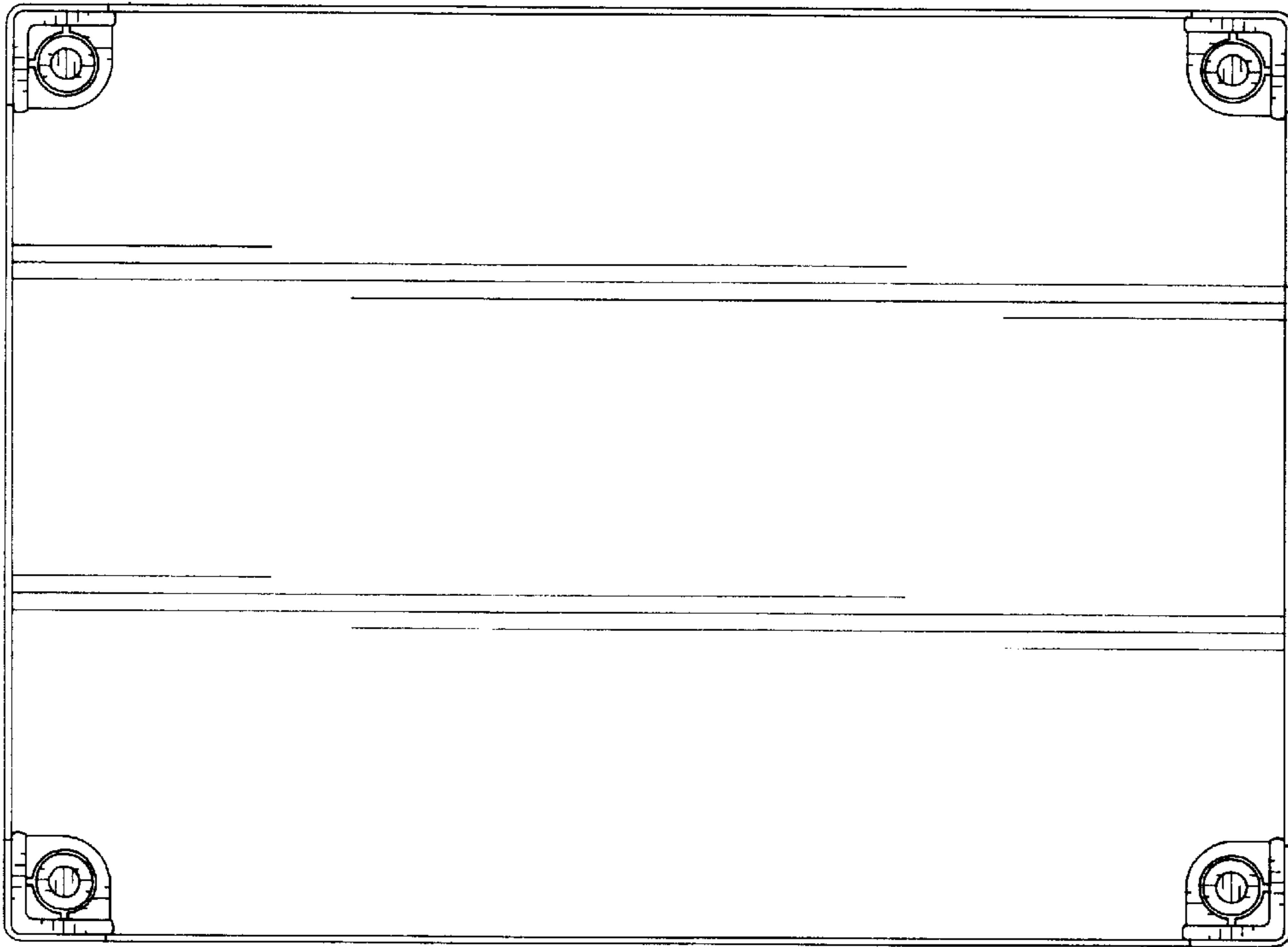


FIG. 4

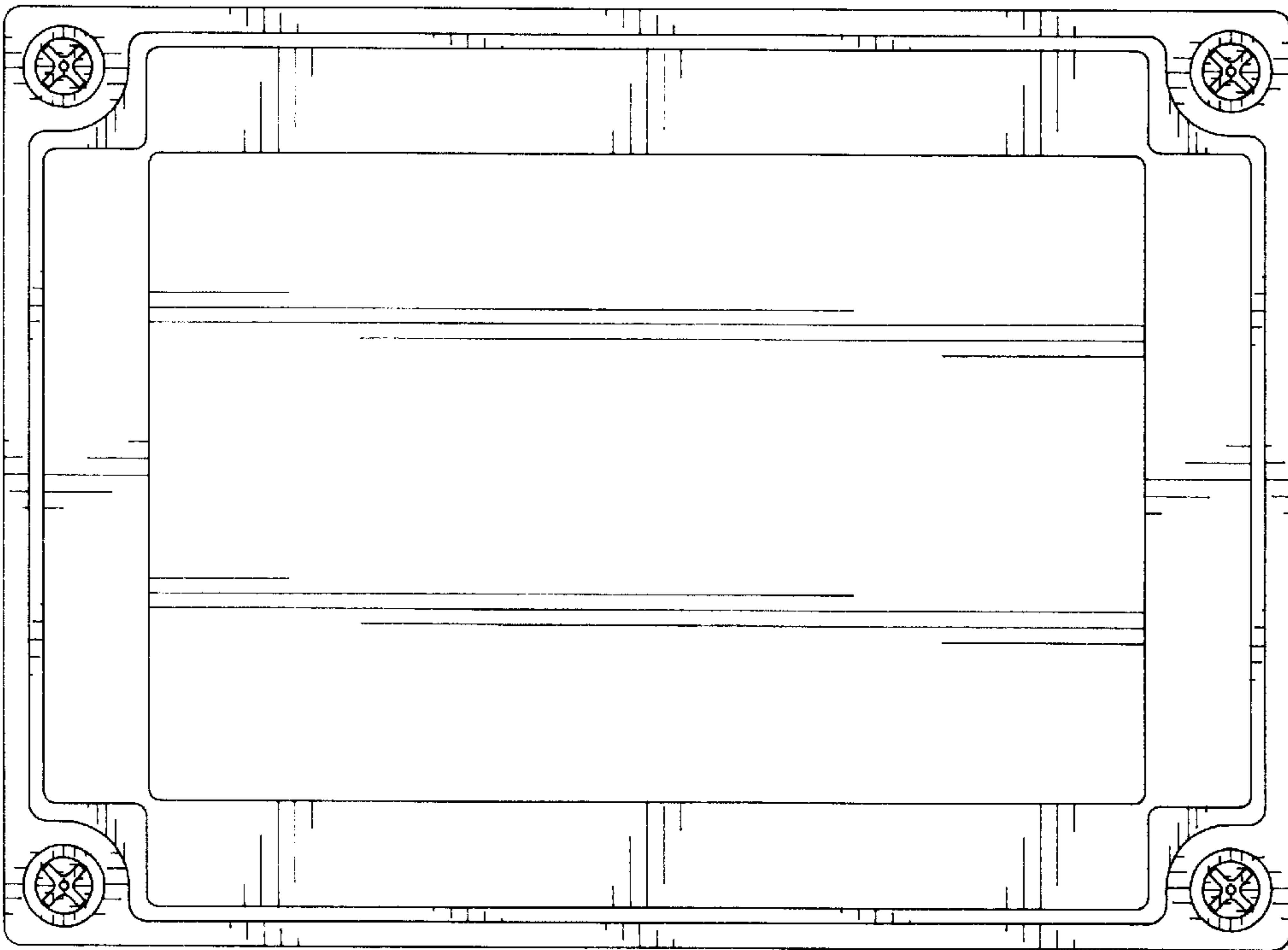


FIG. 3

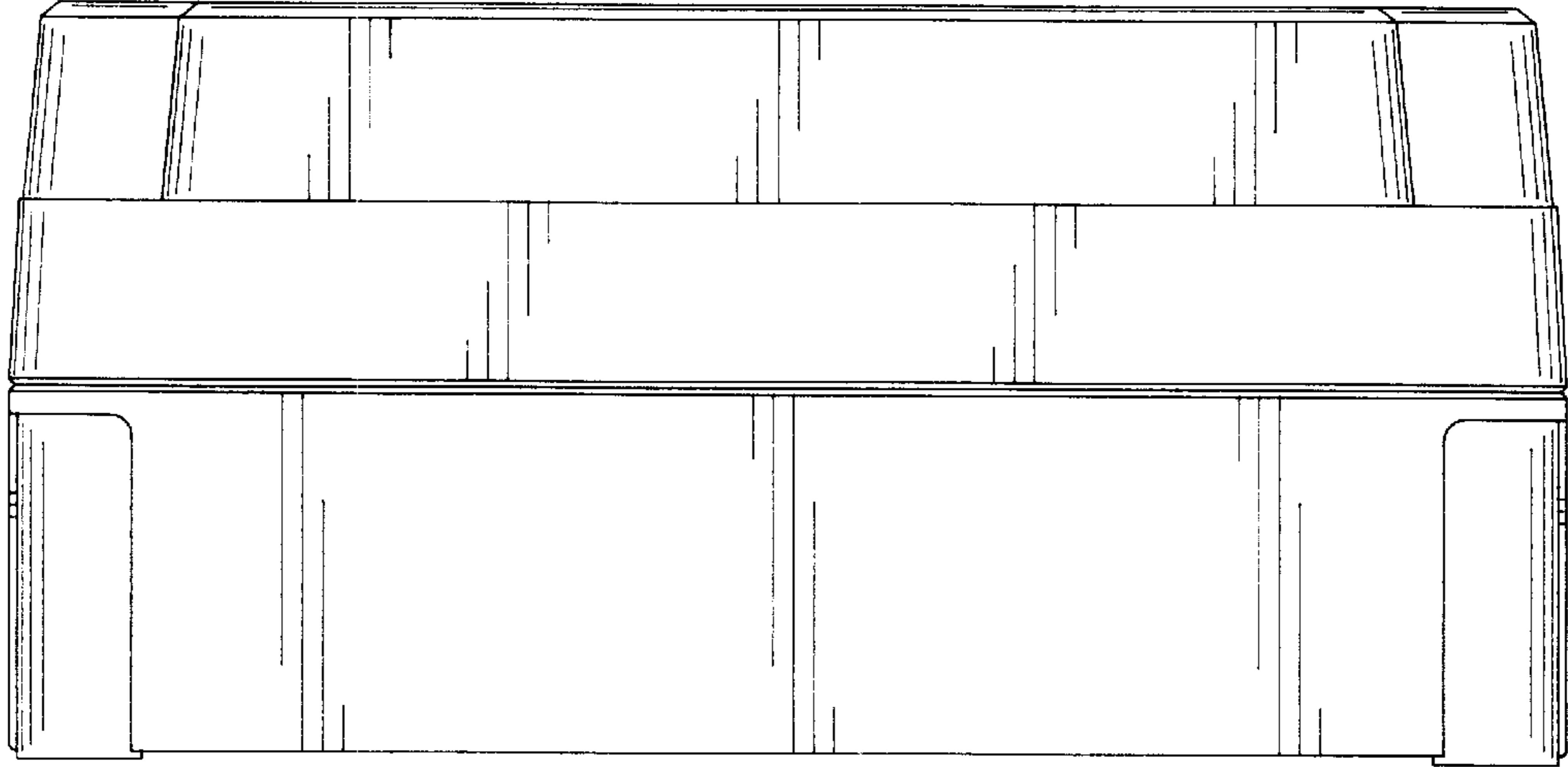


FIG. 6

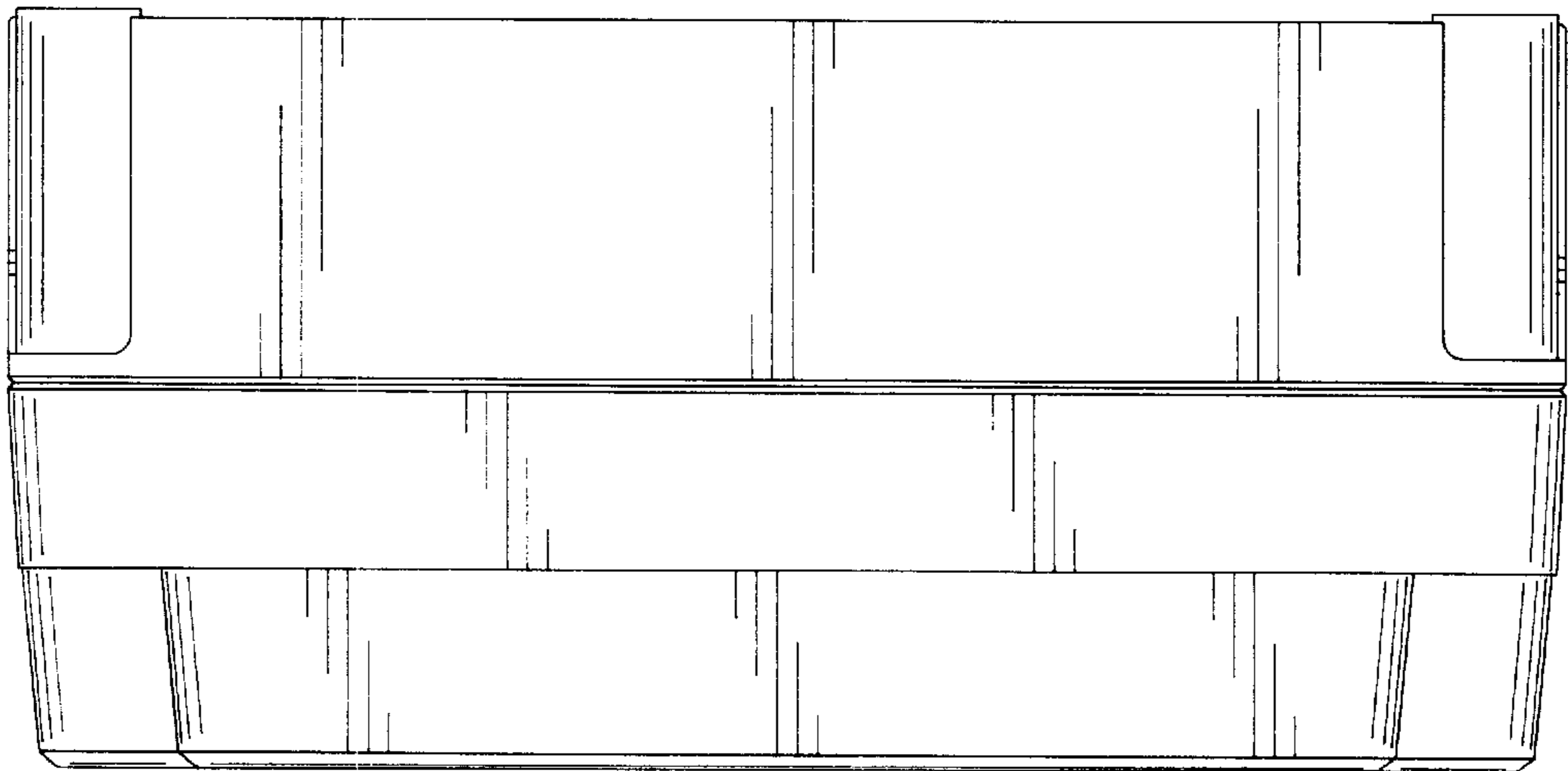


FIG. 5

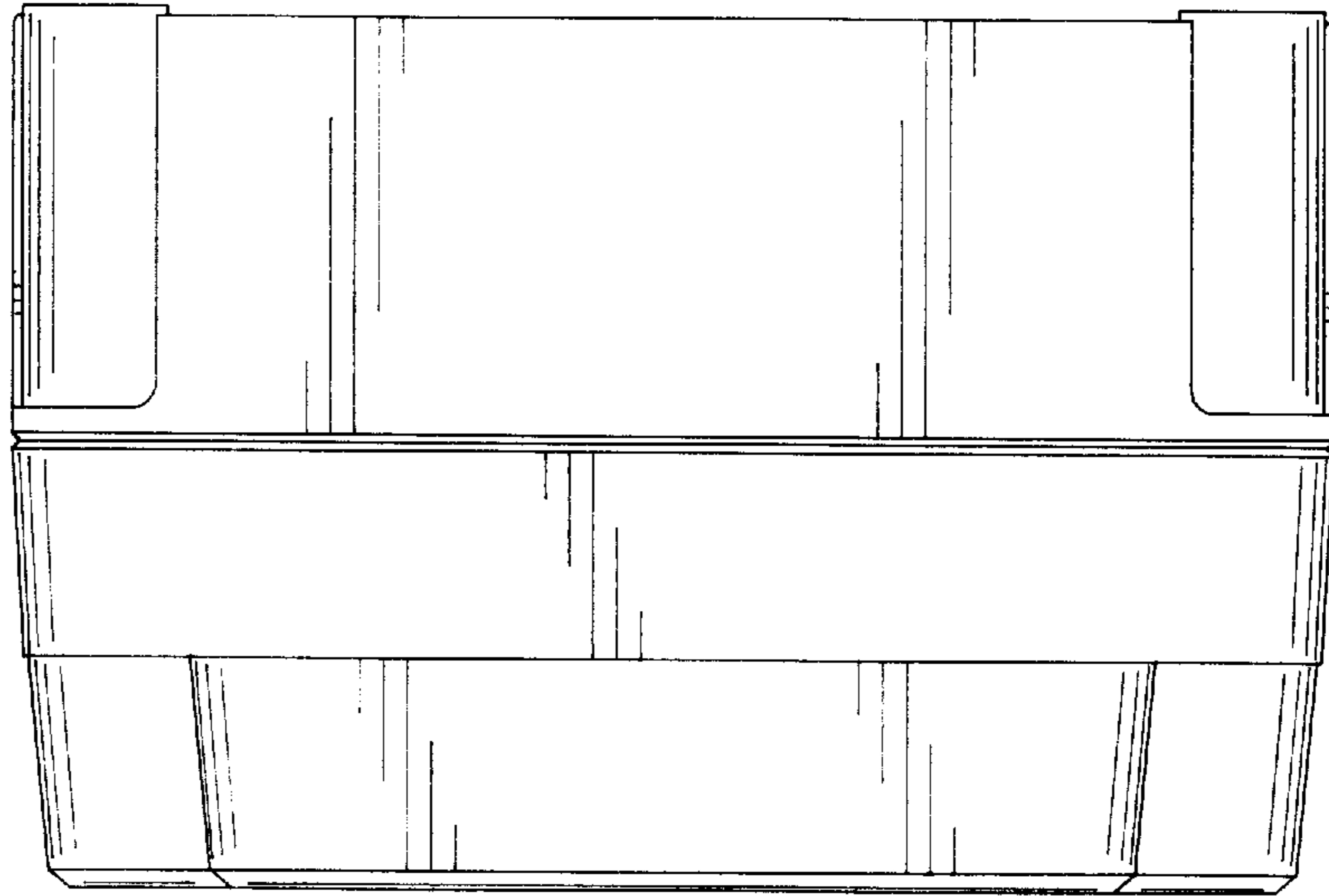


FIG. 7

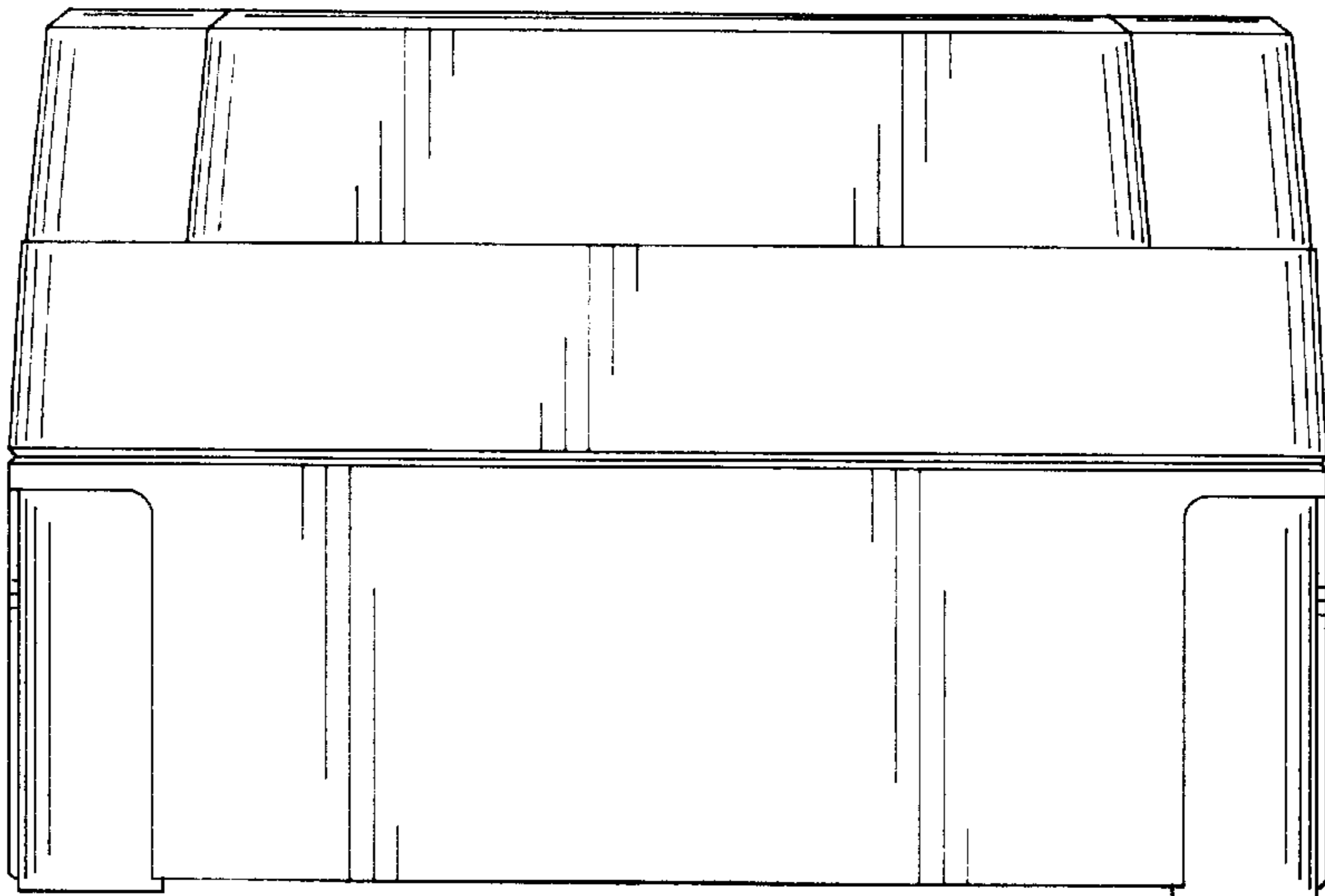


FIG. 8

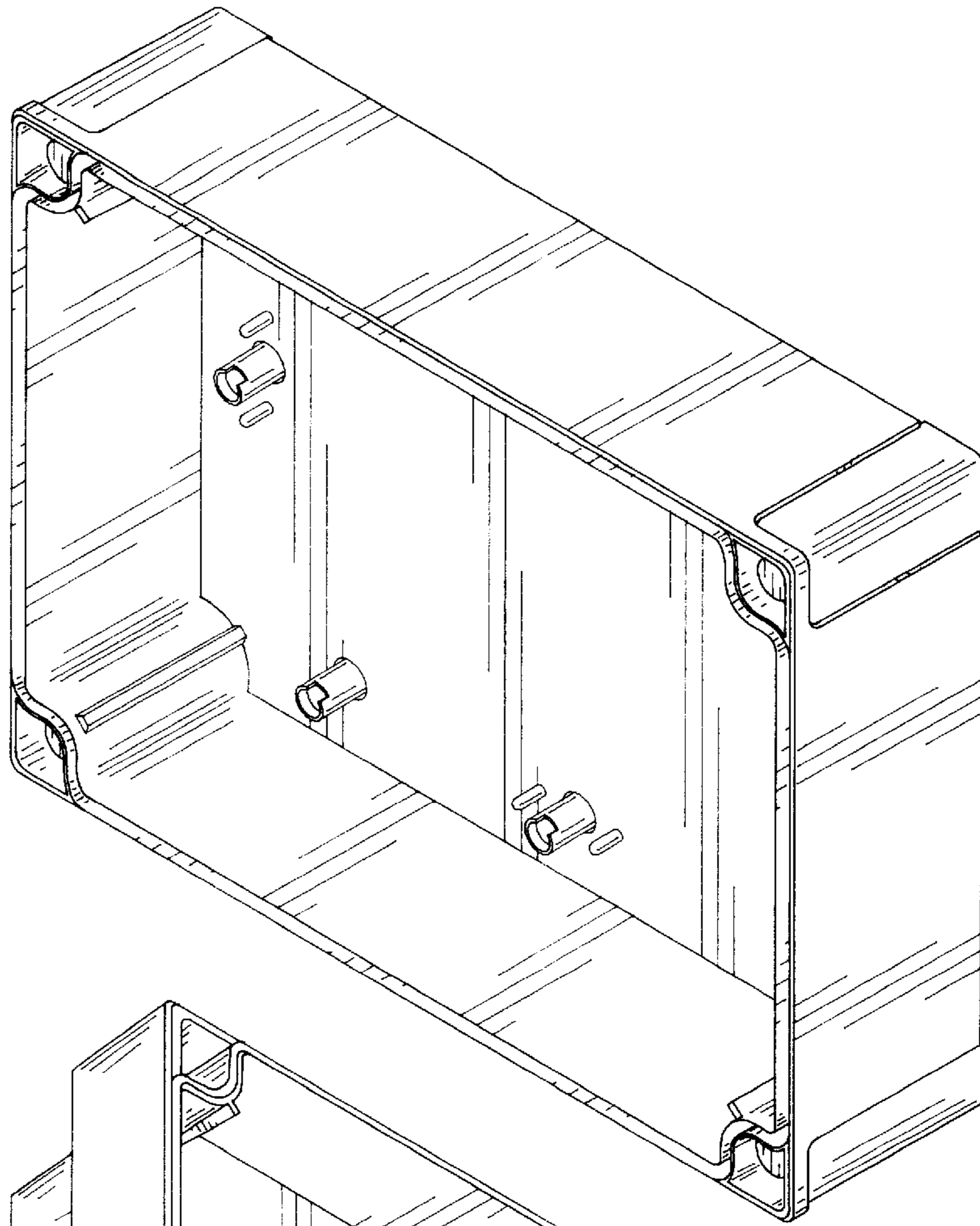


FIG. 10

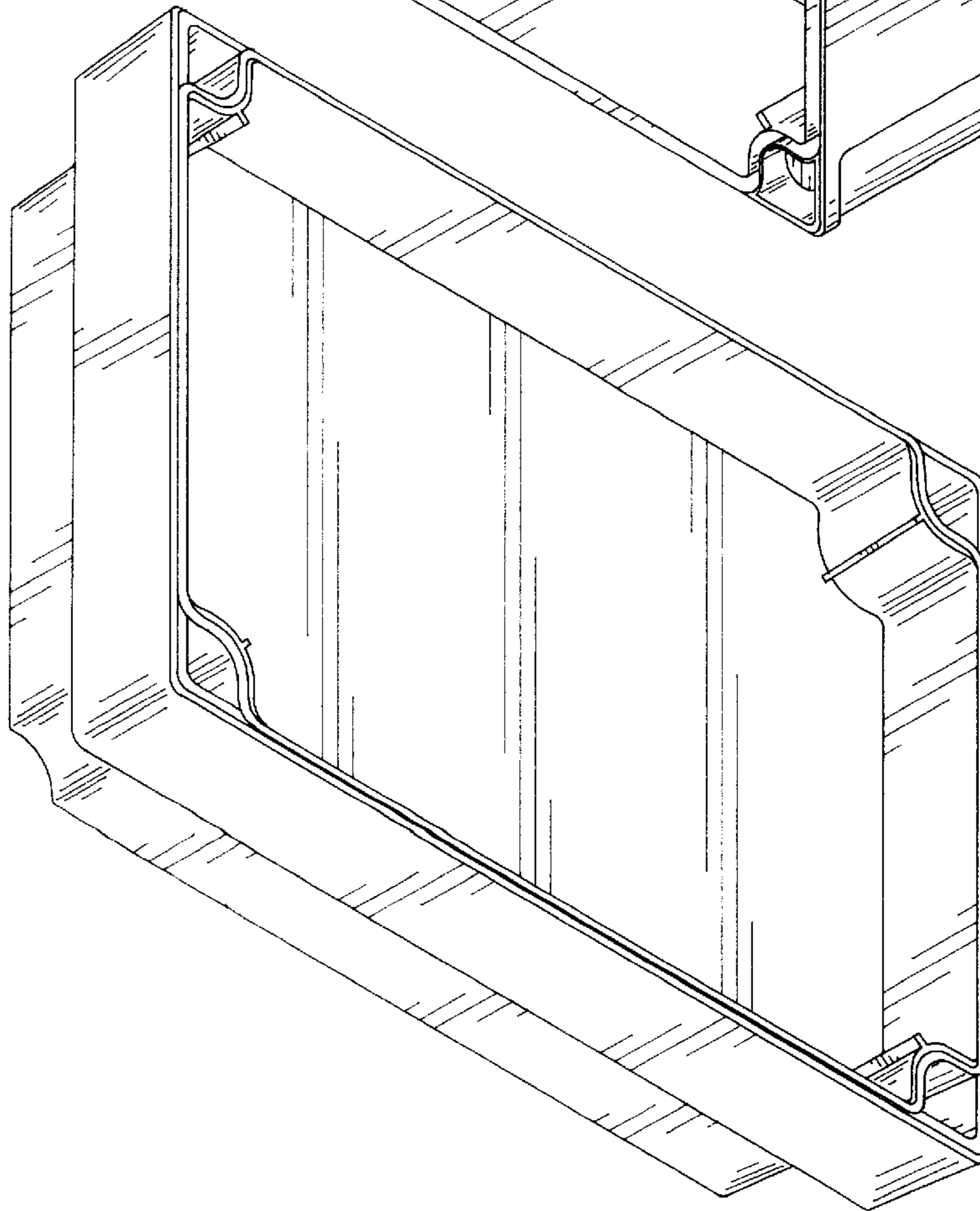


FIG. 9