



US00D402268S

United States Patent [19]

[11] Patent Number: Des. 402,268

Gerdin et al.

[45] Date of Patent: **Dec. 8, 1998

[54] CONTROL BOX FOR WELDING MACHINES SUCH AS ELECTRIC WELDING MACHINES SUCH AS ARC WELDING MACHINES OR ARC WELDERS

[75] Inventors: **Lars Gerdin**, Kumla; **Ronald Körber**, Lövstagatan; **Per Åberg**, Hjortronstigen, all of Sweden

[73] Assignee: **ESAB Aktiebolag**, Gothenburg, Sweden

[**] Term: **14 Years**

[21] Appl. No.: **78,918**

[22] Filed: **Nov. 5, 1997**

[30] Foreign Application Priority Data

May 6, 1997 [SE] Sweden 971056

[51] LOC (6) Cl. **13-03**

[52] U.S. Cl. **D13/162**

[58] Field of Search D13/158, 162, D13/163, 177; 219/61.5, 86.41, 86.51, 86.61, 91.1, 121.54, 121.55, 121.56, 121.57, 121.28, 121.29, 121.3, 122, 130.21, 137.7, 482, 483, 489, 490

[56] References Cited

U.S. PATENT DOCUMENTS

D. 381,633 7/1997 Hiyakumoto et al. D13/162
5,097,829 3/1992 Quisenberry 219/490 X
5,378,874 1/1995 Holling et al. 219/483 X

Primary Examiner—Antoine Duval Davis
Attorney, Agent, or Firm—Nils H. Ljungmam and Associates

[57] CLAIM

The ornamental design for a control box for welding machines such as electric welding machines such as arc welding machines or arc welders, as shown and described.

DESCRIPTION

FIG. 1 is a front view of the control box in an embodiment of the invention, with the housing and keypad being shown in broken lines;

FIG. 2 is a perspective front view of the control box in an embodiment of the invention, with the housing and keypad being shown in broken lines;

FIG. 3 is a perspective bottom view of the control box in an embodiment of the invention, with the housing being shown in broken lines;

FIG. 4 is a front view of the control box in an embodiment of the invention;

FIG. 5 is a perspective front view of the control box in an embodiment of the invention;

FIG. 6 is a perspective bottom view of the control box in an embodiment of the invention;

FIG. 7 is a front view of the control box in an embodiment of the invention, with the display screen blank;

FIG. 8 is a front view of the control box in an embodiment of the invention, with the display screen and keypad blank;

FIG. 9 is a perspective front view of the control box in an embodiment of the invention, with the display screen blank;

FIG. 10 is a perspective front view of the control box in an embodiment of the invention, with the display screen and keypad blank;

FIG. 11 is a perspective front view of the control box in an embodiment of the invention, with the display screen blank and no screws shown on the side;

FIG. 12 is a perspective front view of the control box in an embodiment of the invention, with the display screen and keypad blank and with no screws shown on the side;

FIG. 13 is a perspective bottom view of the control box in an embodiment of the invention, with no screws shown on the side;

FIG. 14 is a perspective view of the control box in an embodiment of the invention;

FIG. 15 is a perspective front view of the control box in an embodiment of the invention, with the keypad shown in broken lines;

FIG. 16 is a perspective front view of the control box in an embodiment of the invention, with the display screen blank and the keypad being shown in broken lines;

FIG. 17 is a front view of the control box in an embodiment of the invention, with the keypad shown in broken lines;

FIG. 18 is a front view fo the control box in an embodiment of the invention, with the display screen blank and the keypad being shown in broken lines;

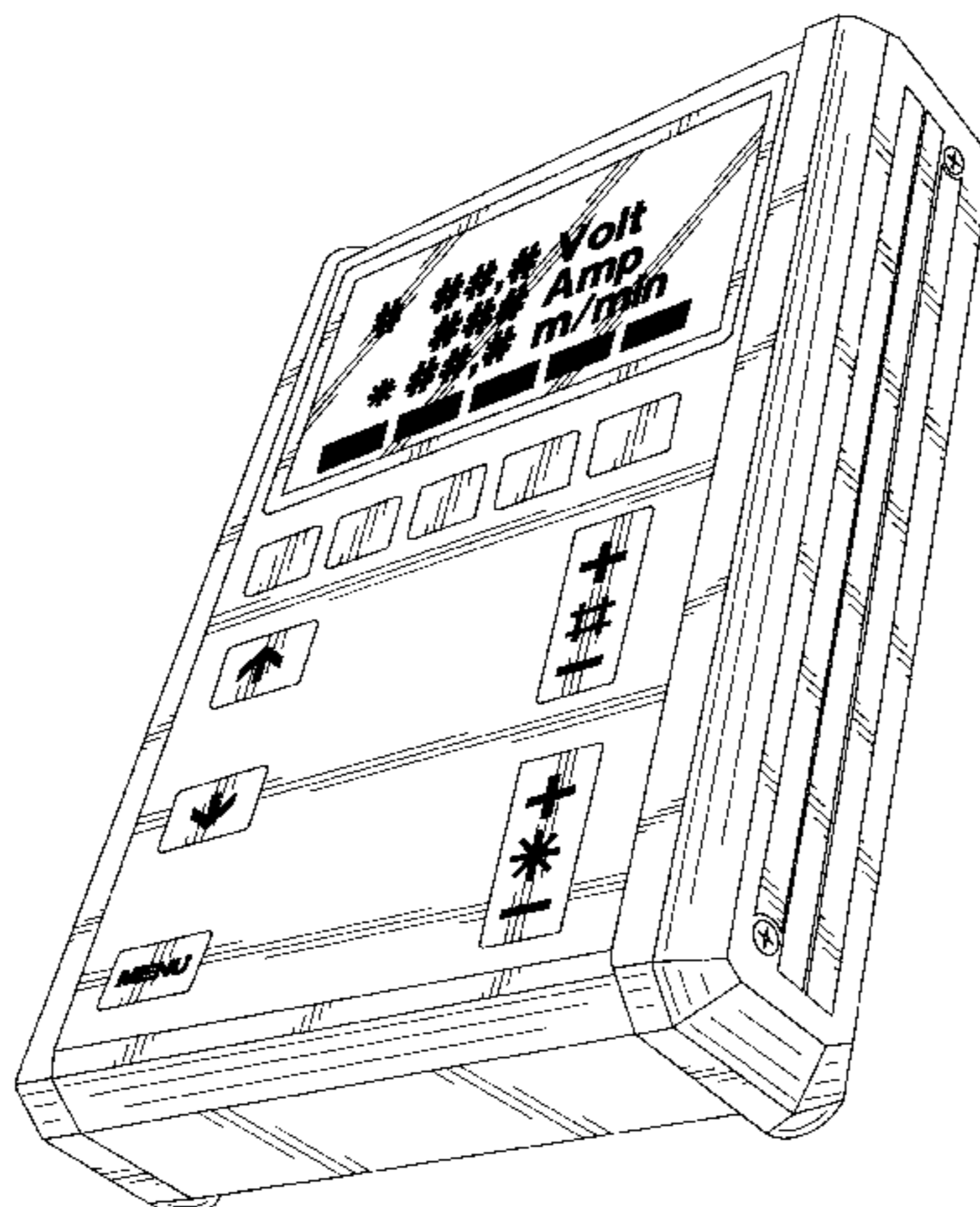


FIG. 19 is a front view of the control box in an embodiment of the invention, with the keypad and display screen shown in broken lines;

FIG. 20 is a perspective front view of the control box in an embodiment of the invention, with the keypad and display screen shown in broken lines;

FIG. 21 is a perspective view of the control box, such as a top perspective view or a bottom perspective view in an embodiment of the invention;

FIG. 22 is a perspective front view of the control box in an embodiment of the invention, with the keypad being shown in broken lines and with no screws shown on the side; and,

FIG. 23 is a perspective front view of the control box in an embodiment of the invention, with the display screen blank, the keypad being shown in broken lines and no screws shown on the side.

1 Claim, 23 Drawing Sheets

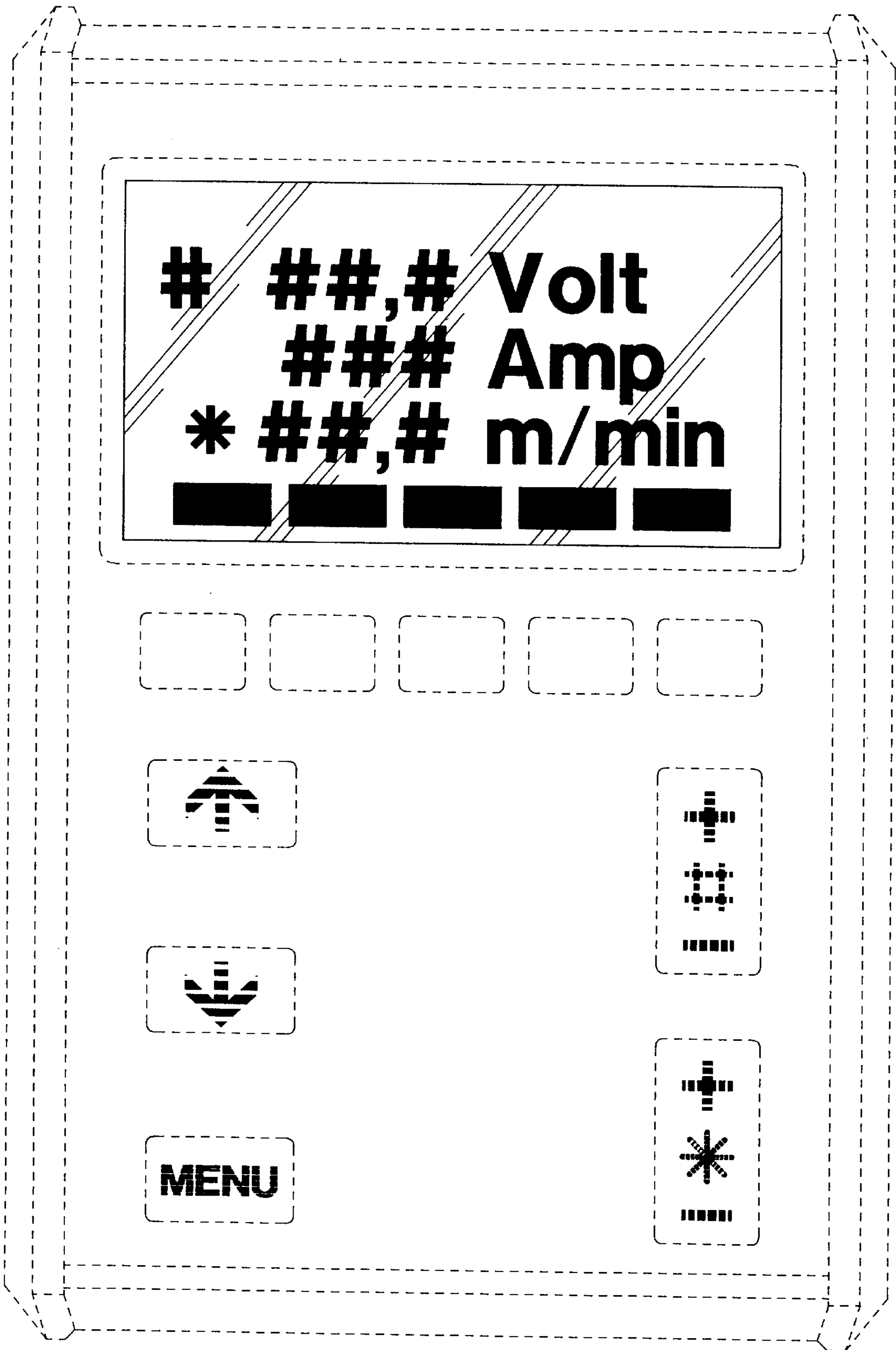


FIG. 1

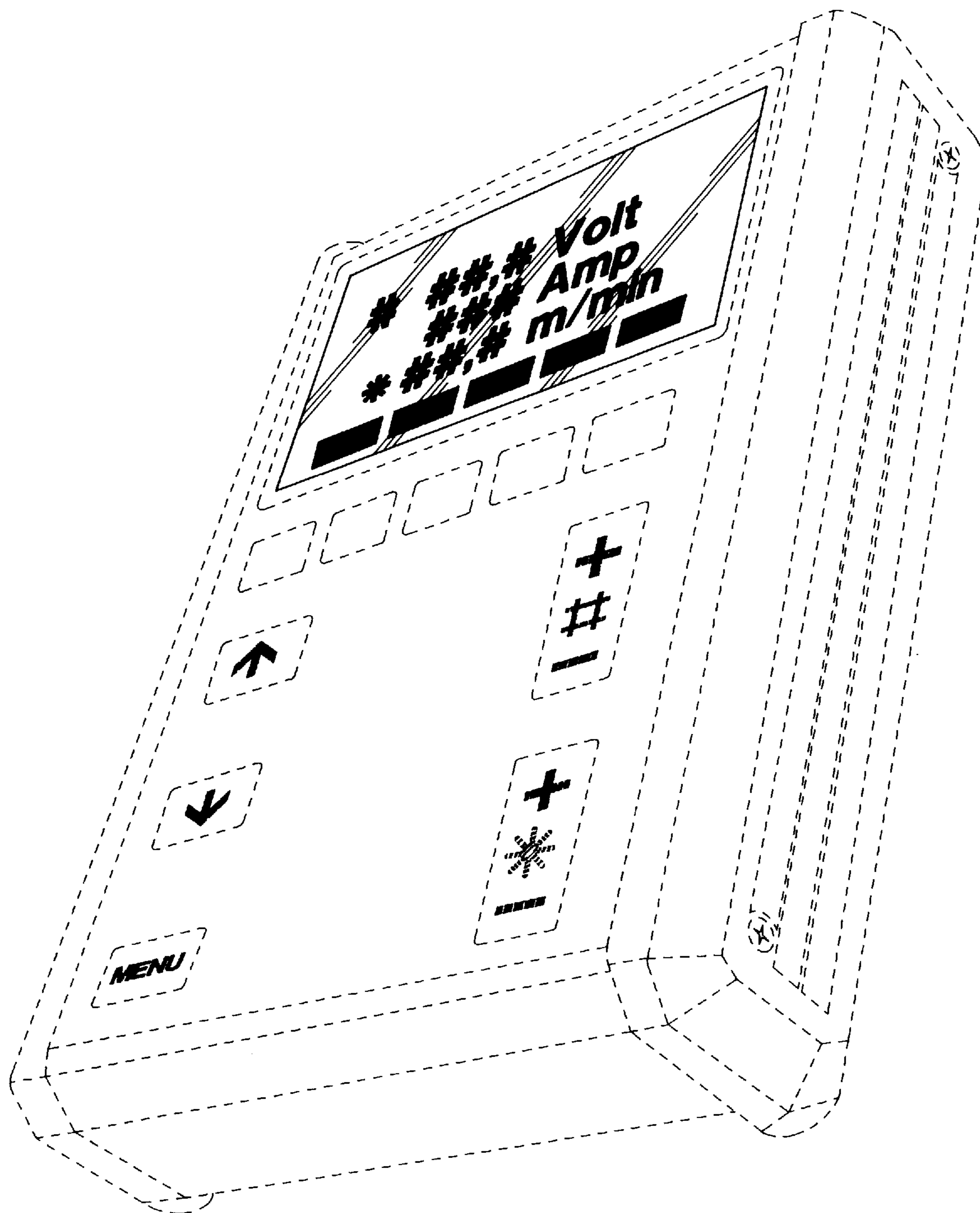


FIG. 2

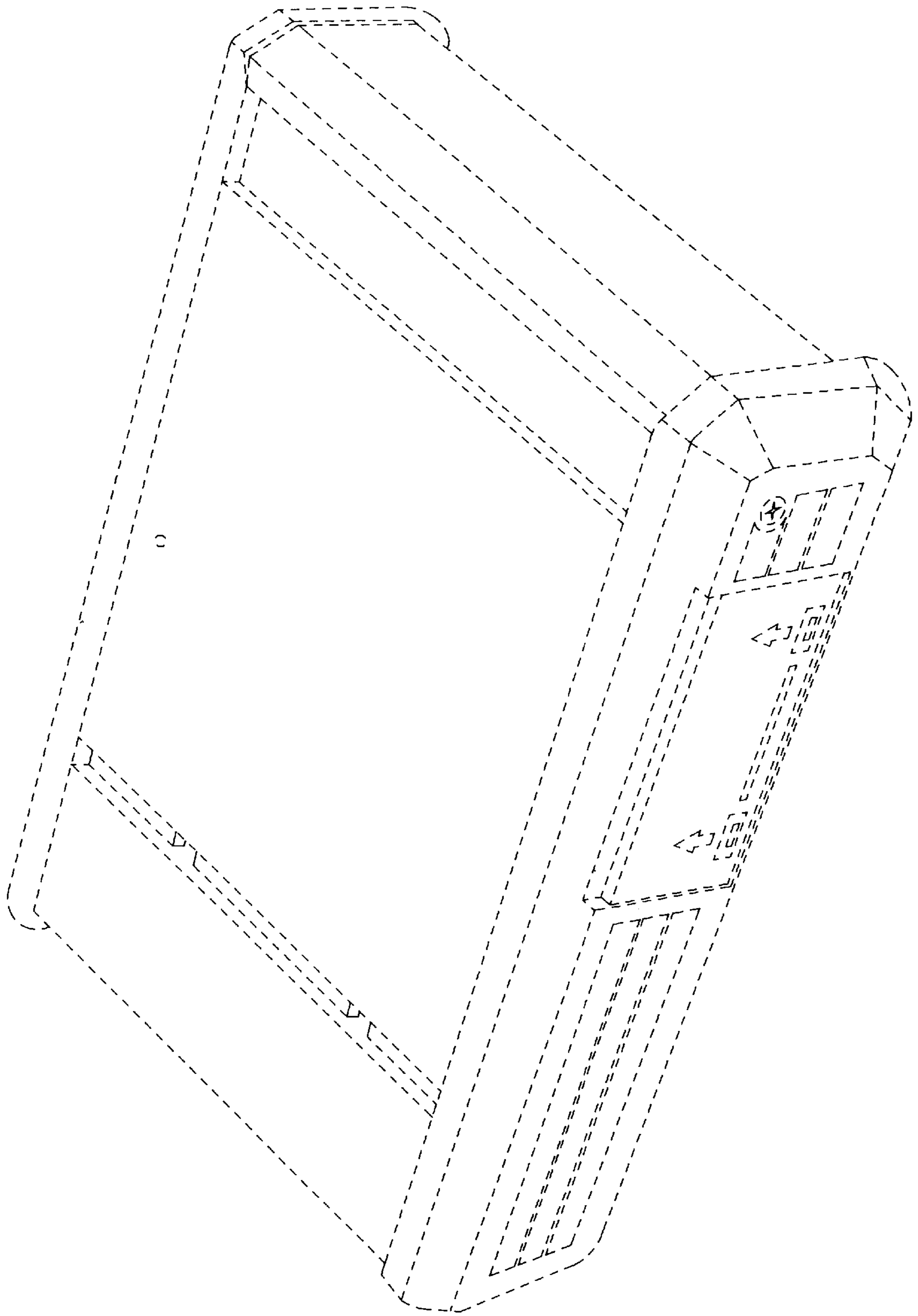


FIG. 3

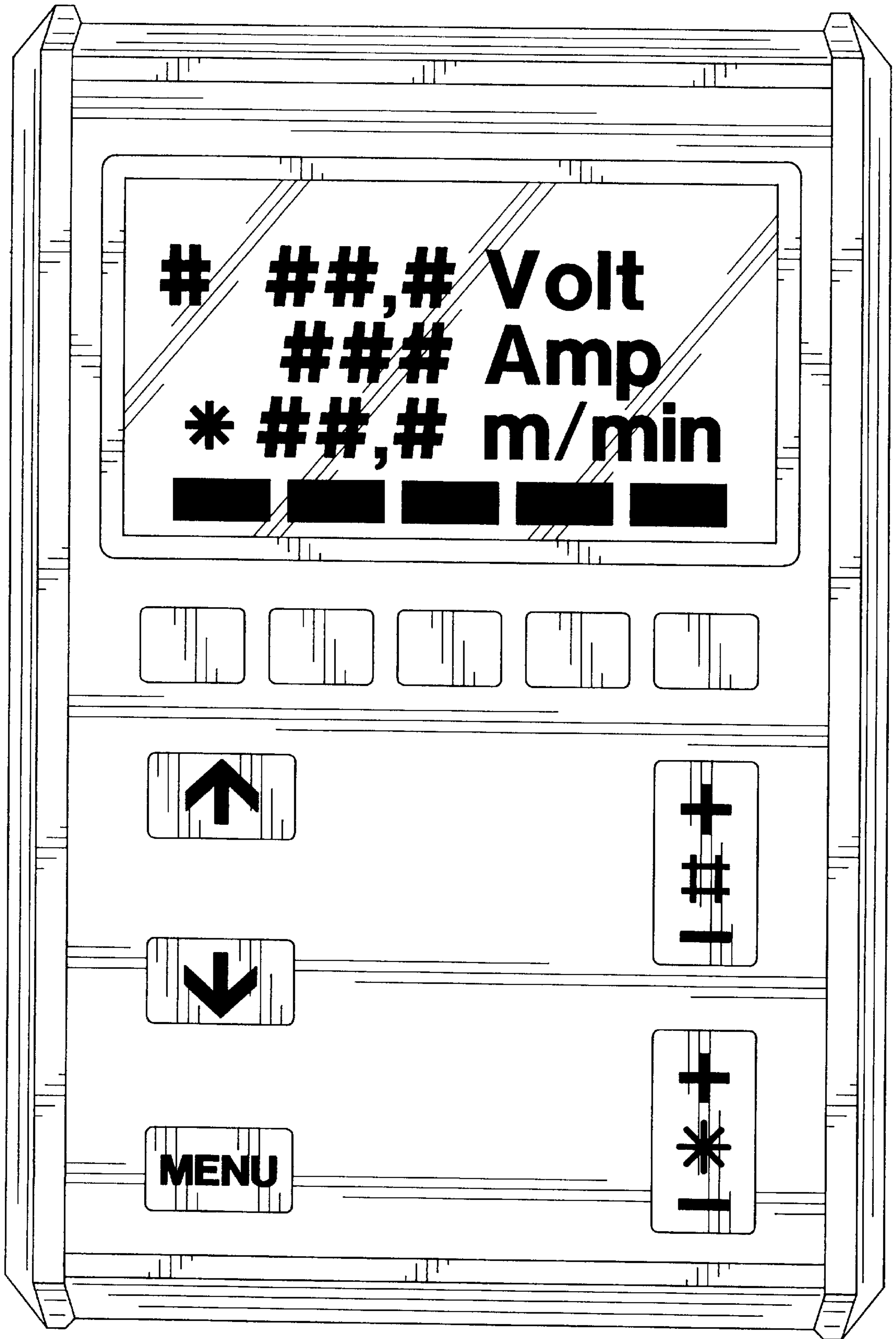


FIG. 4

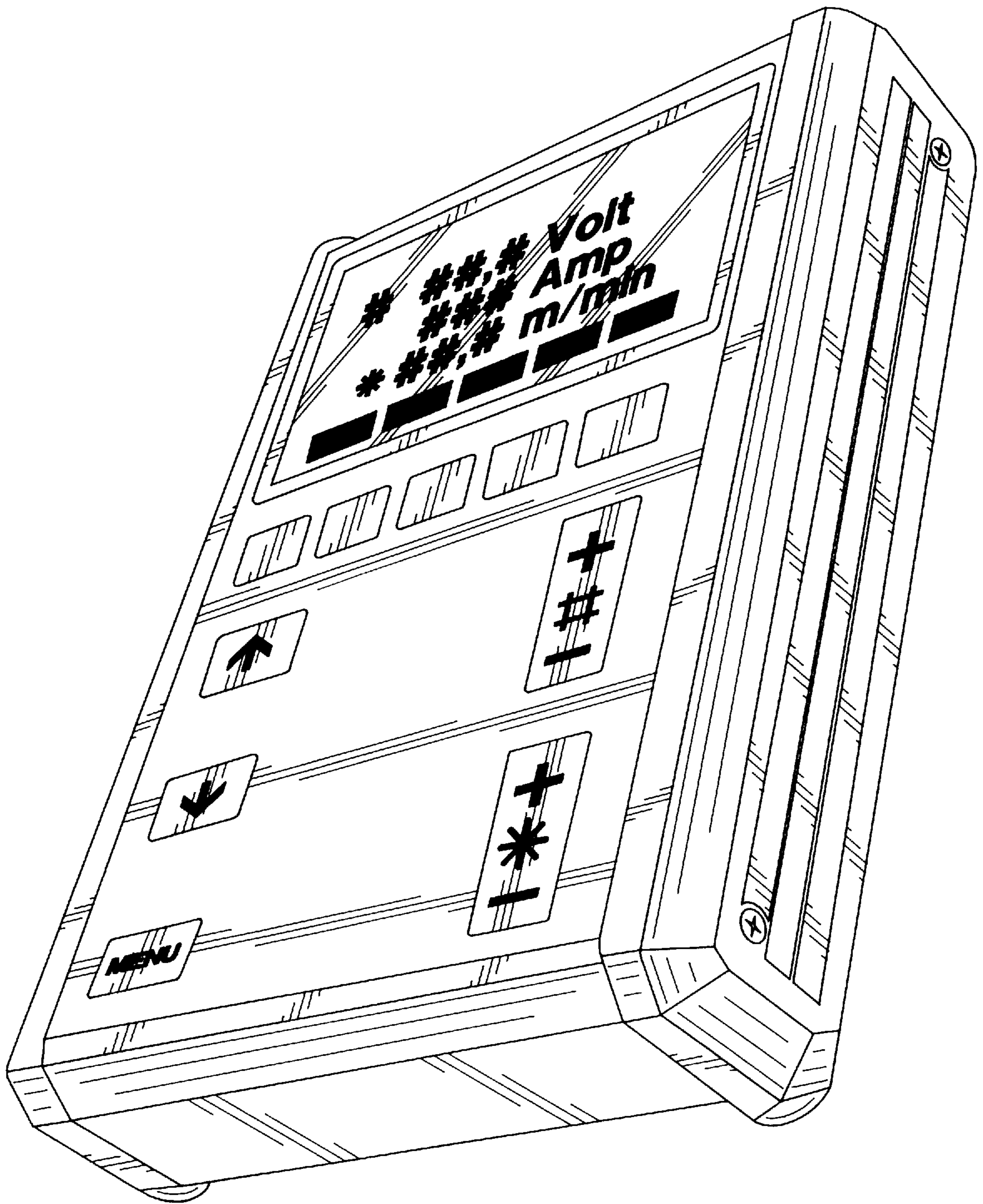


FIG. 5

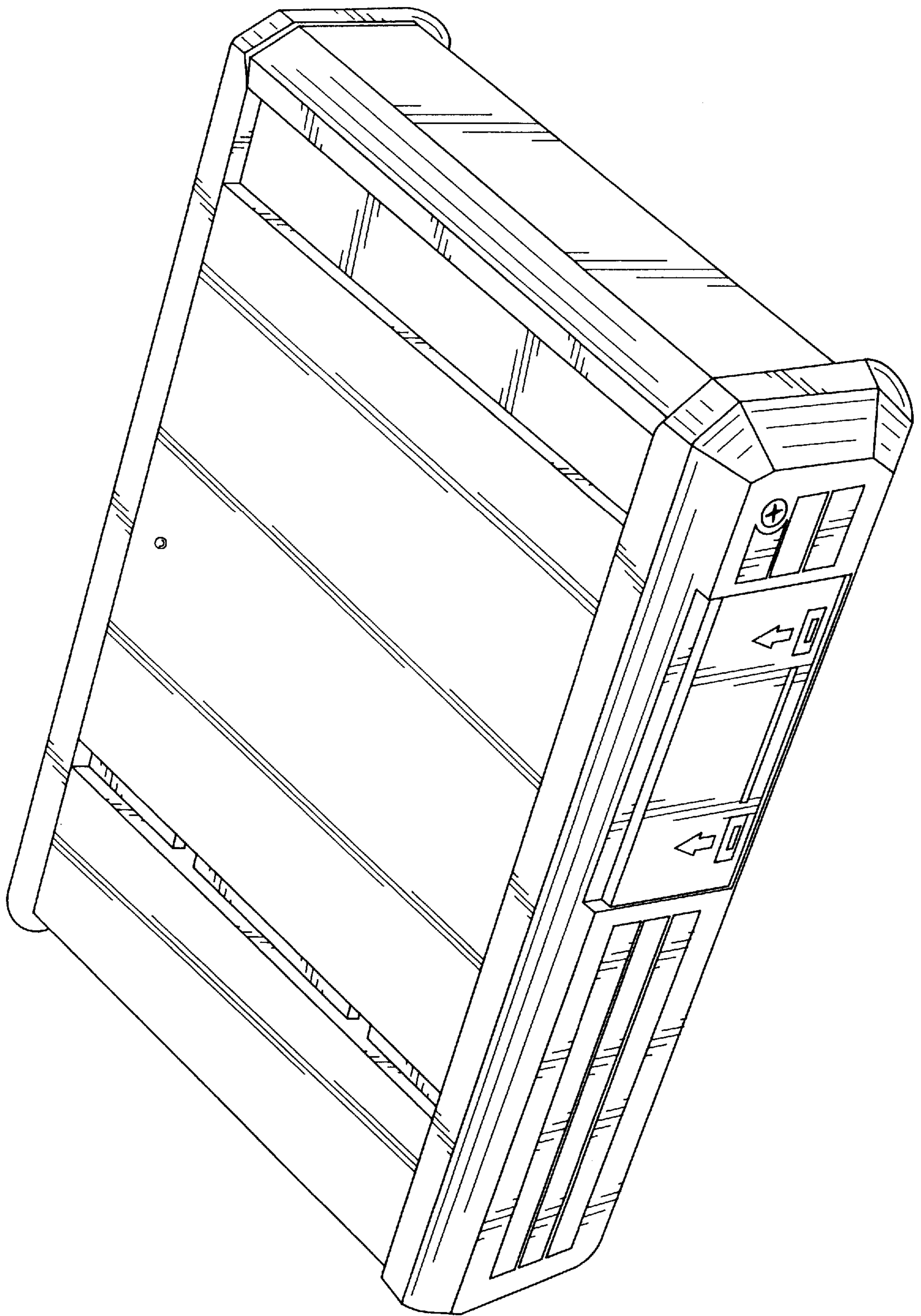


FIG. 6

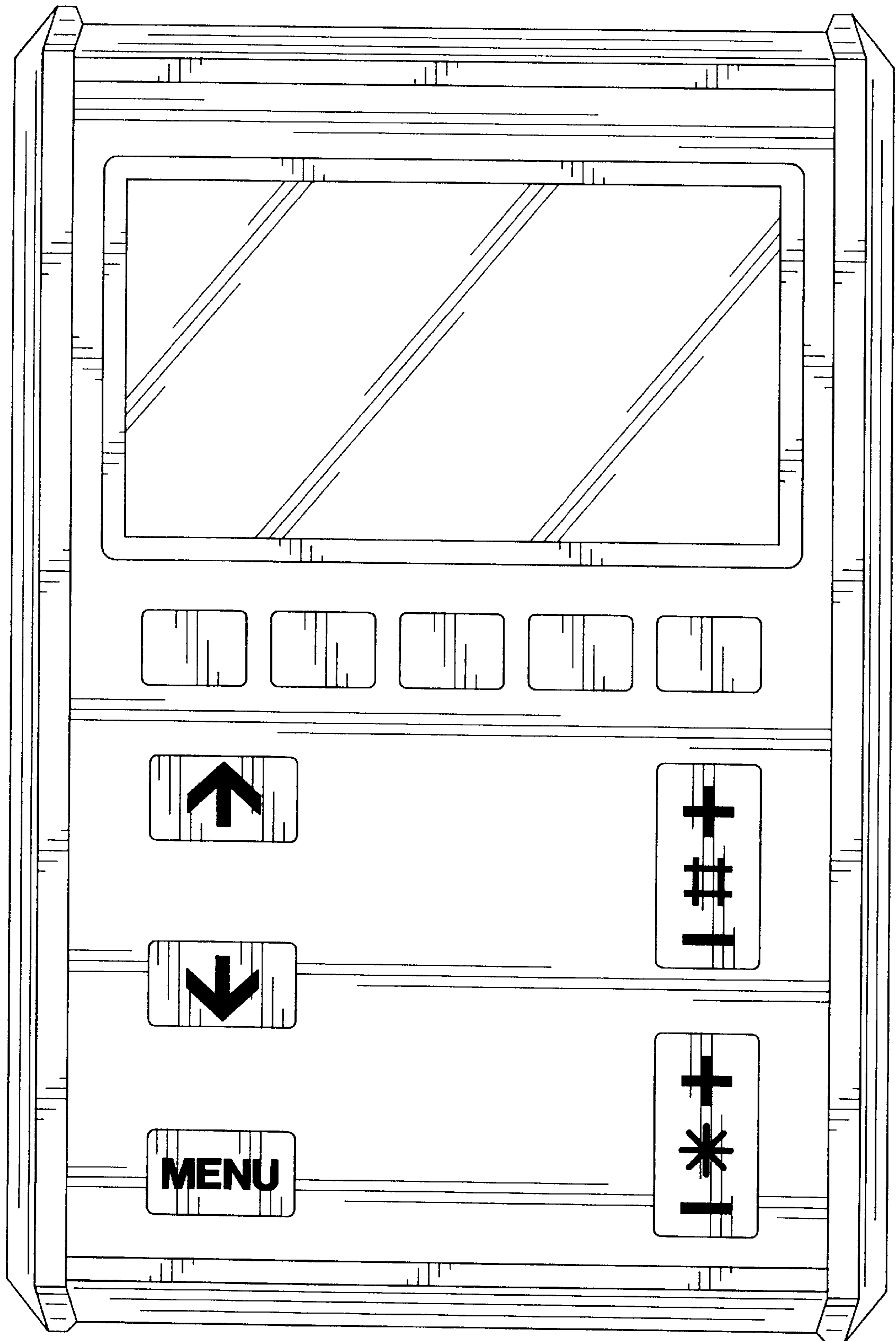


FIG. 7

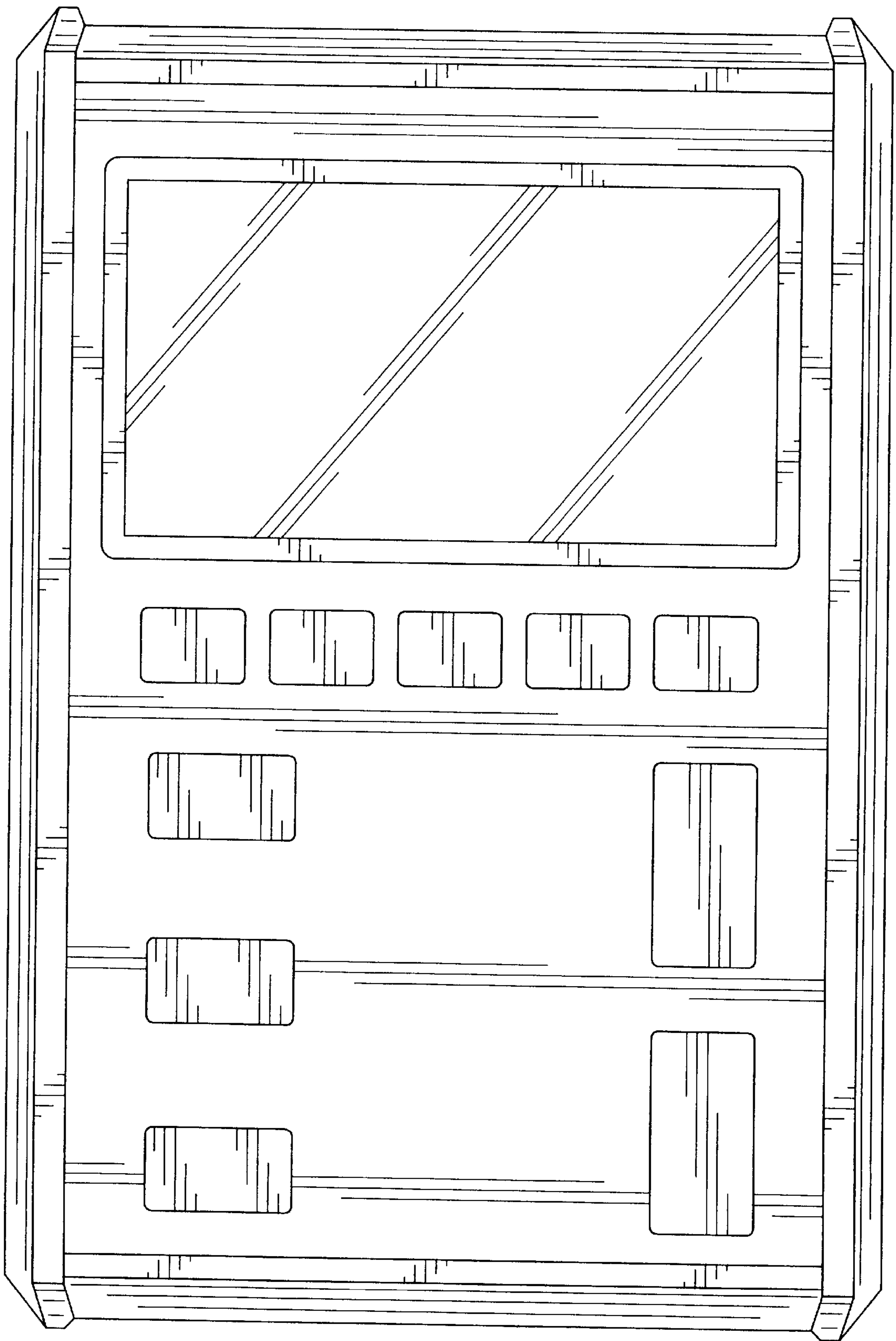


FIG. 8

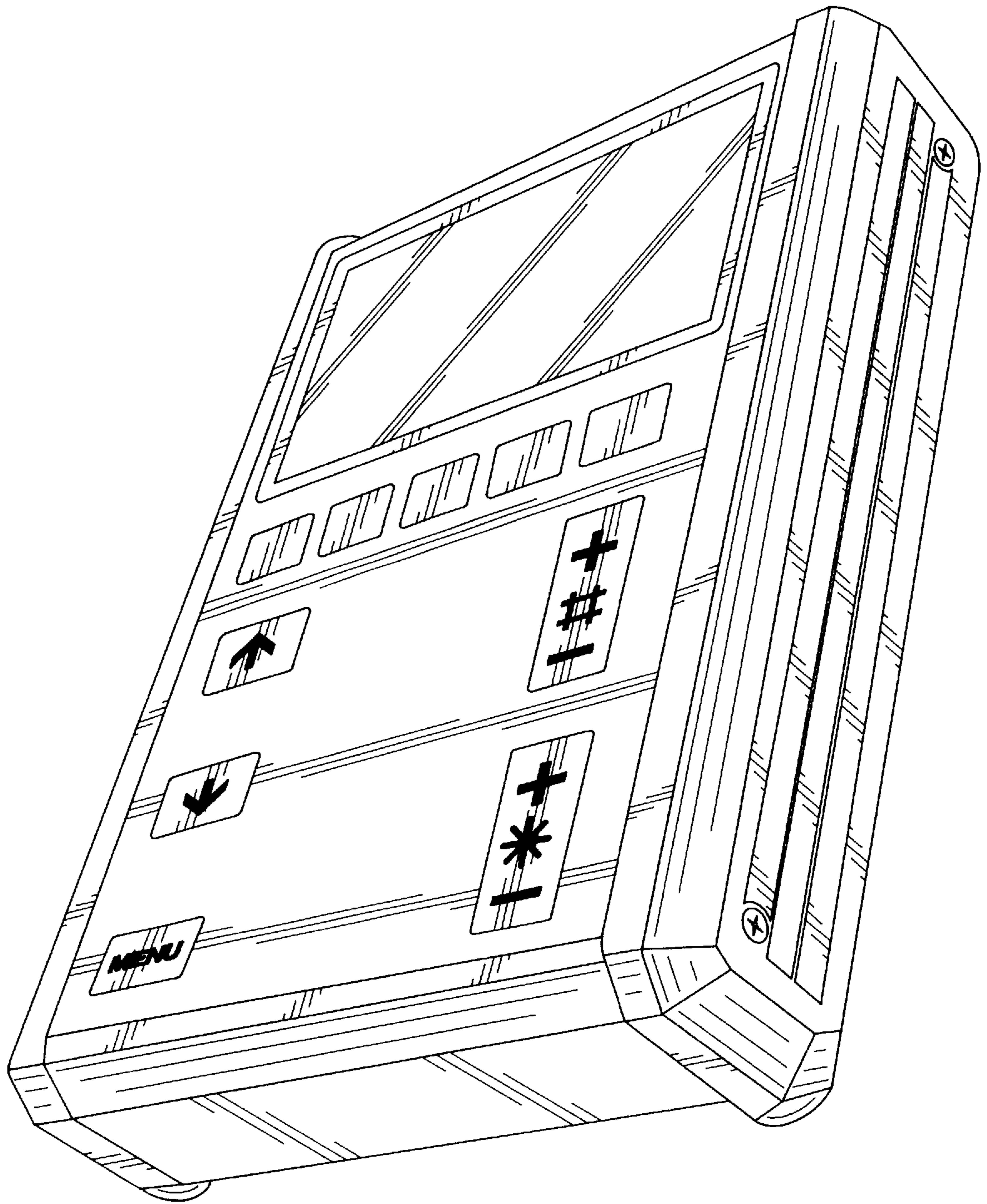


FIG. 9

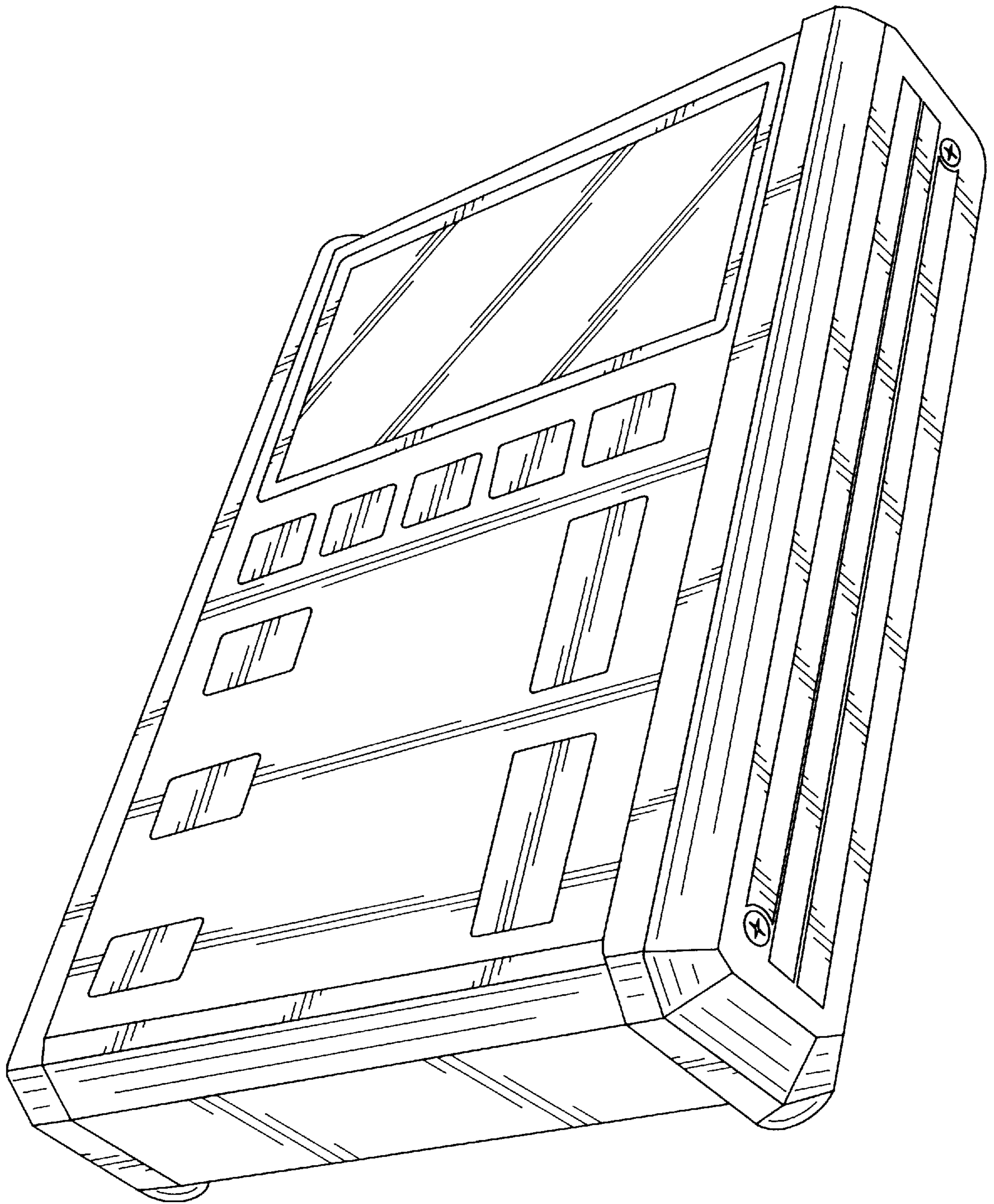


FIG. 10

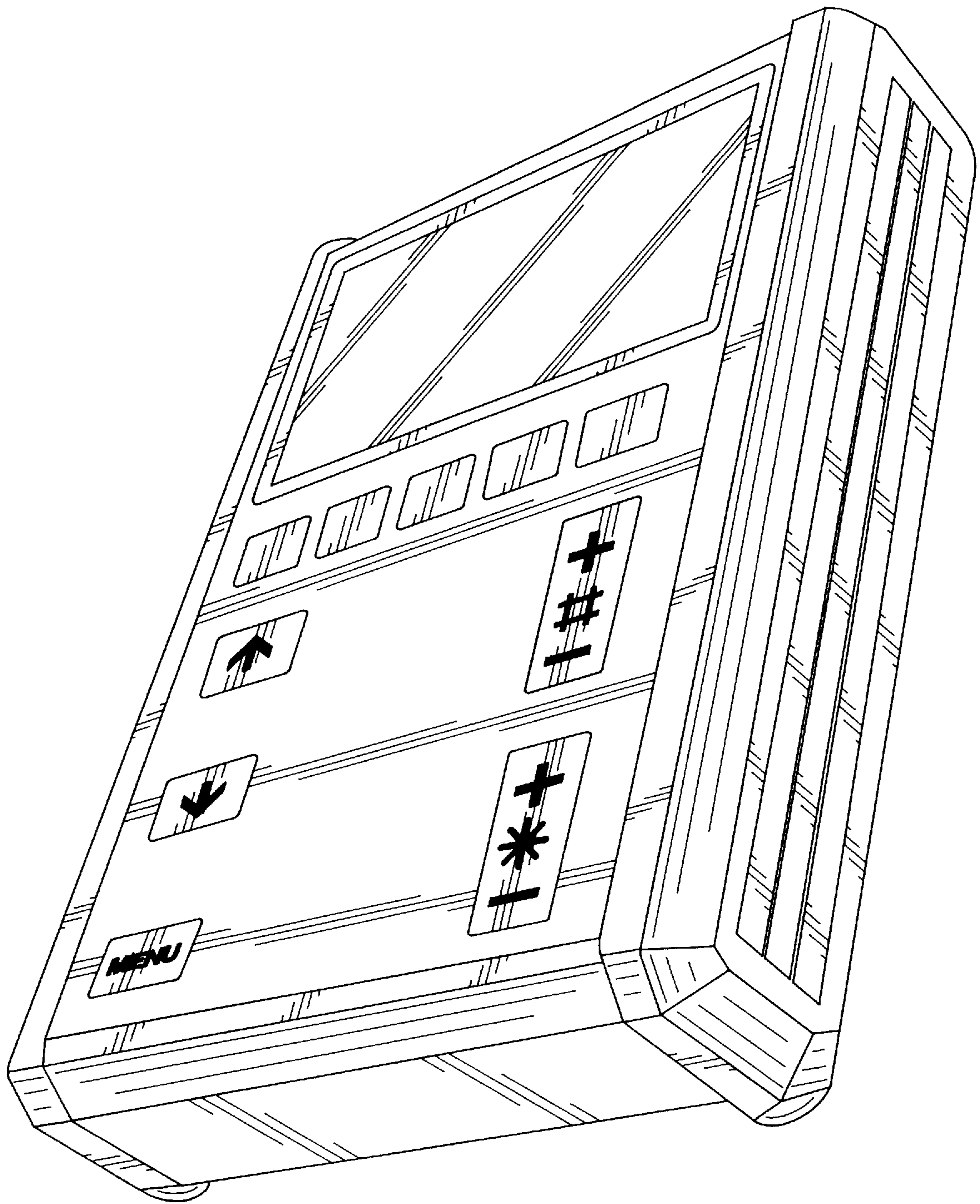


FIG. 11

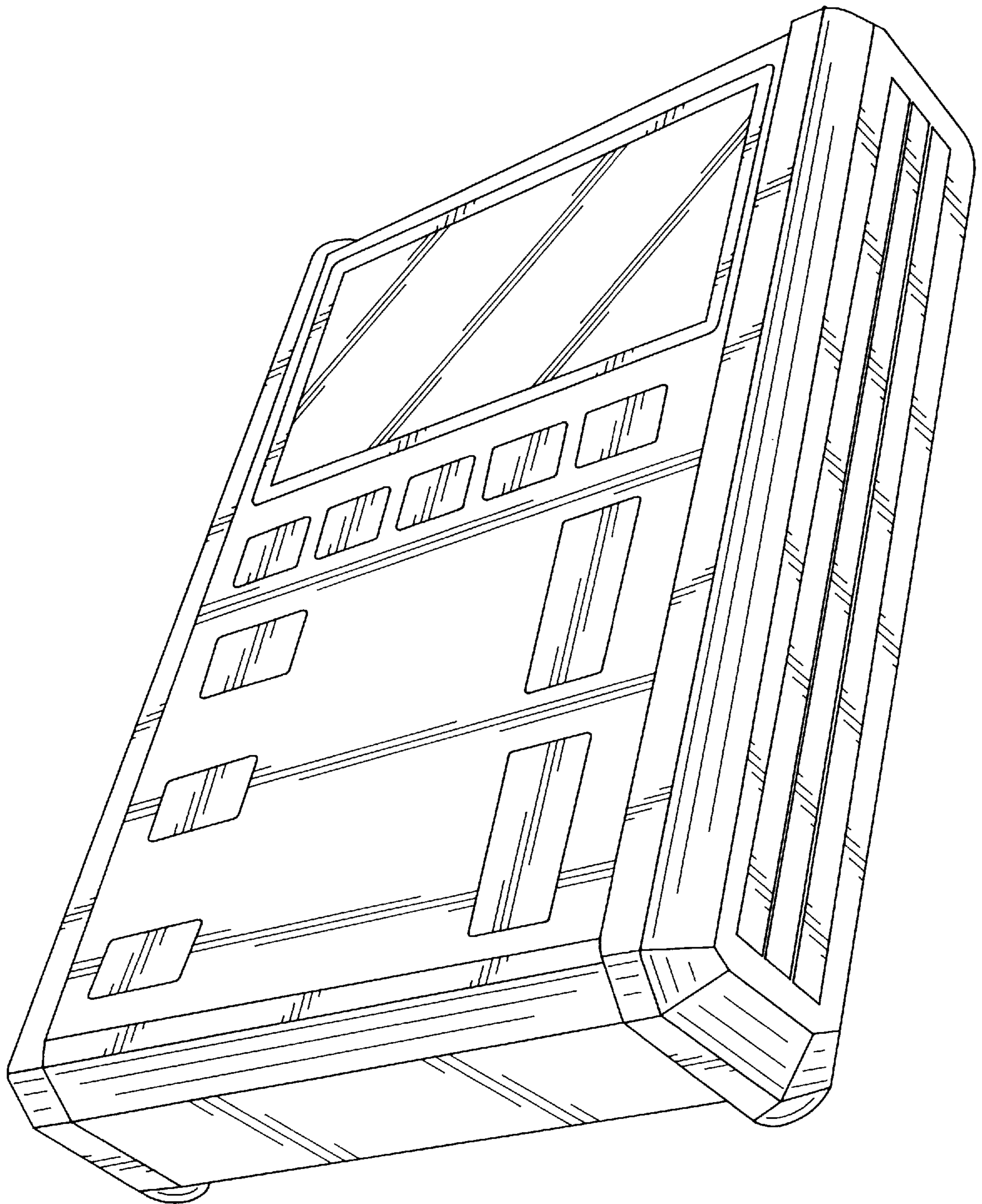


FIG. 12

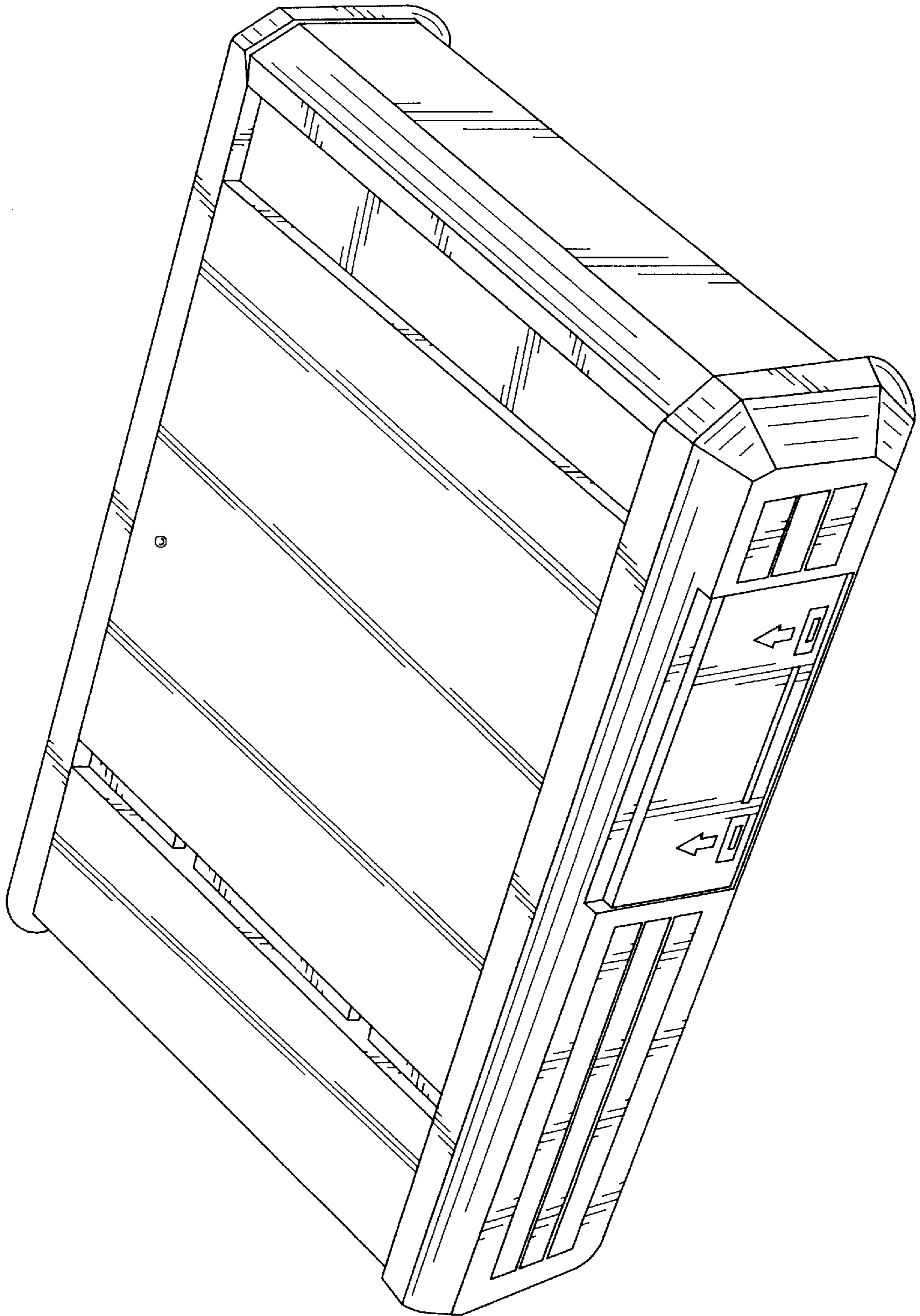


FIG. 13

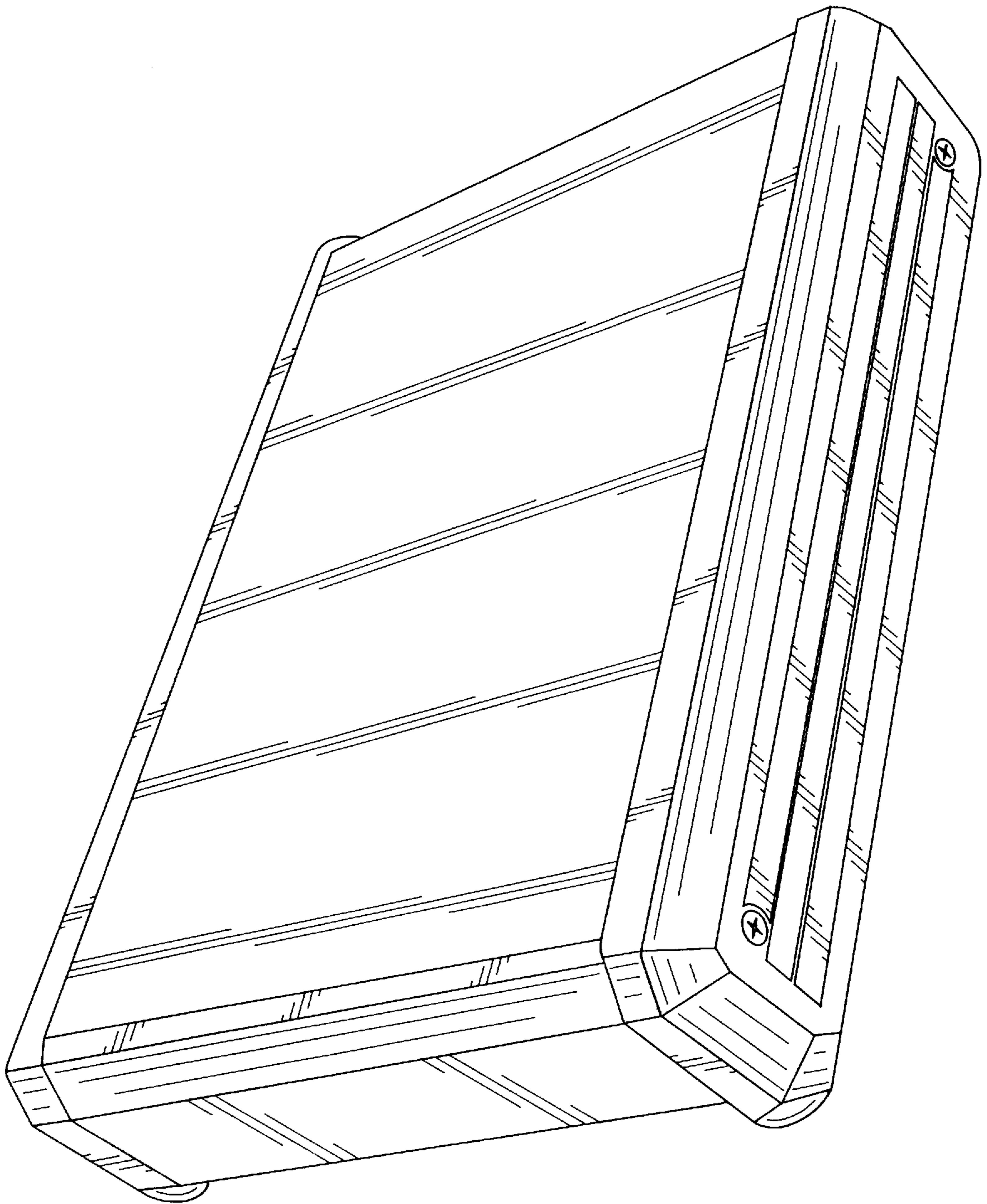


FIG. 14

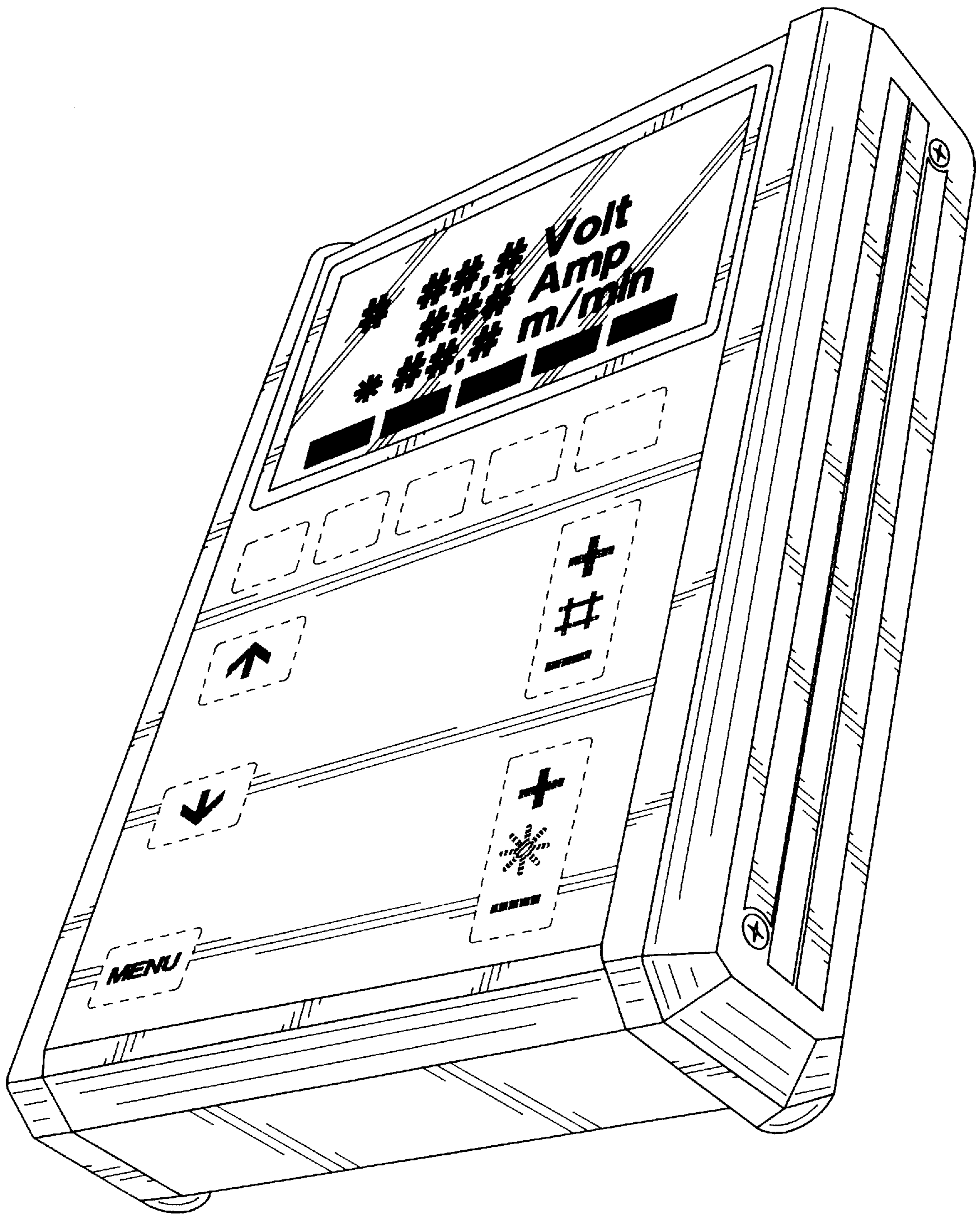


FIG. 15

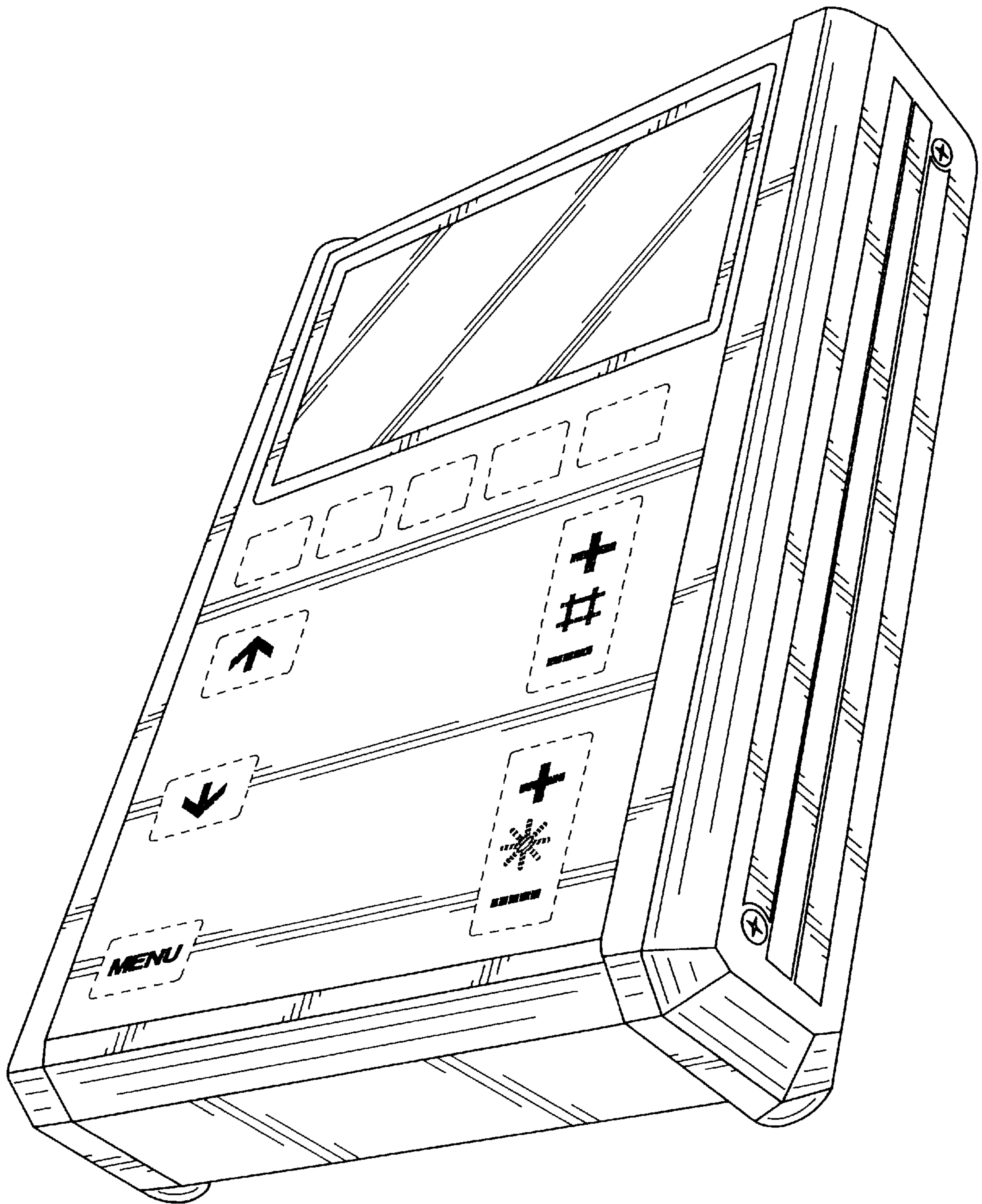


FIG. 16

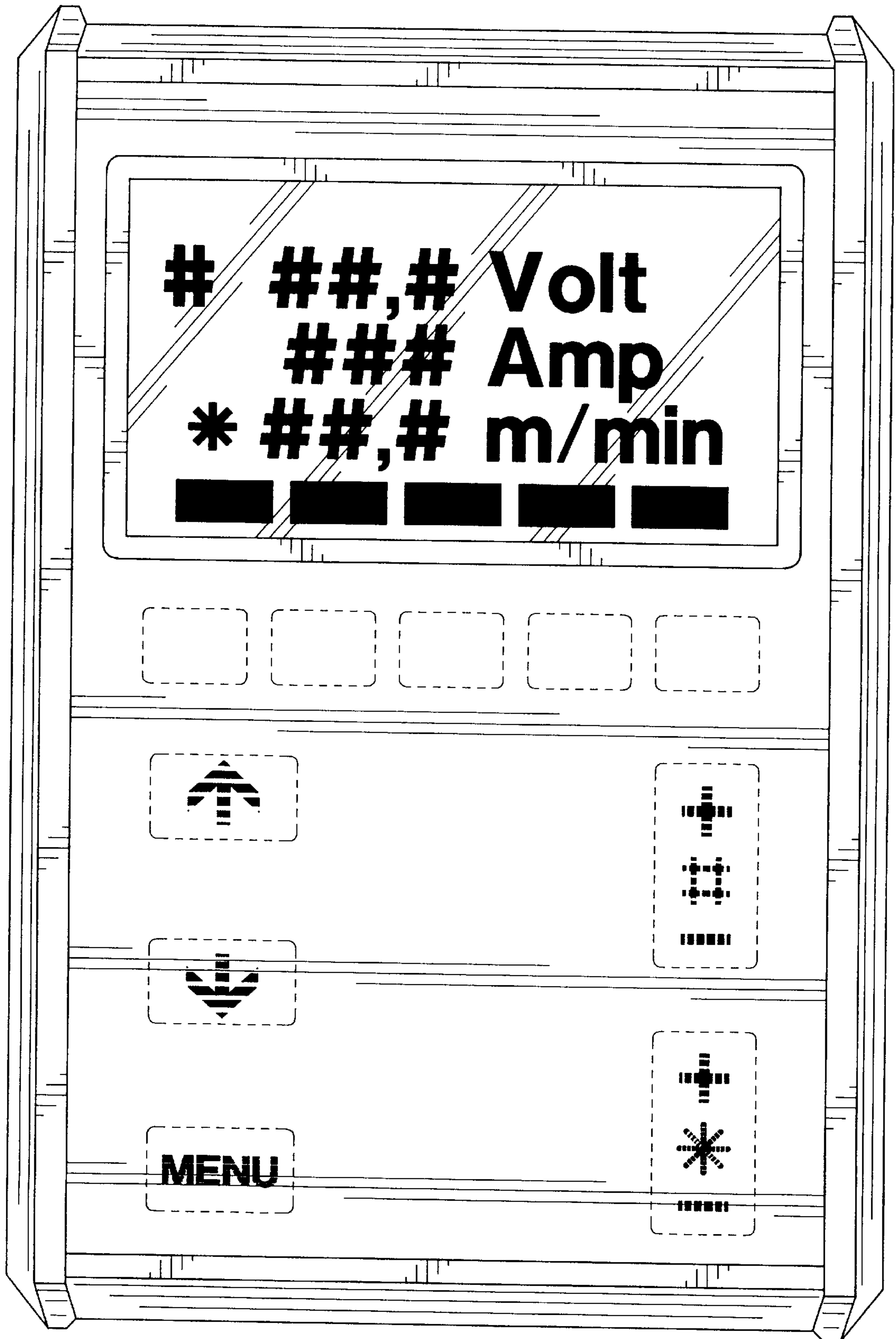


FIG. 17

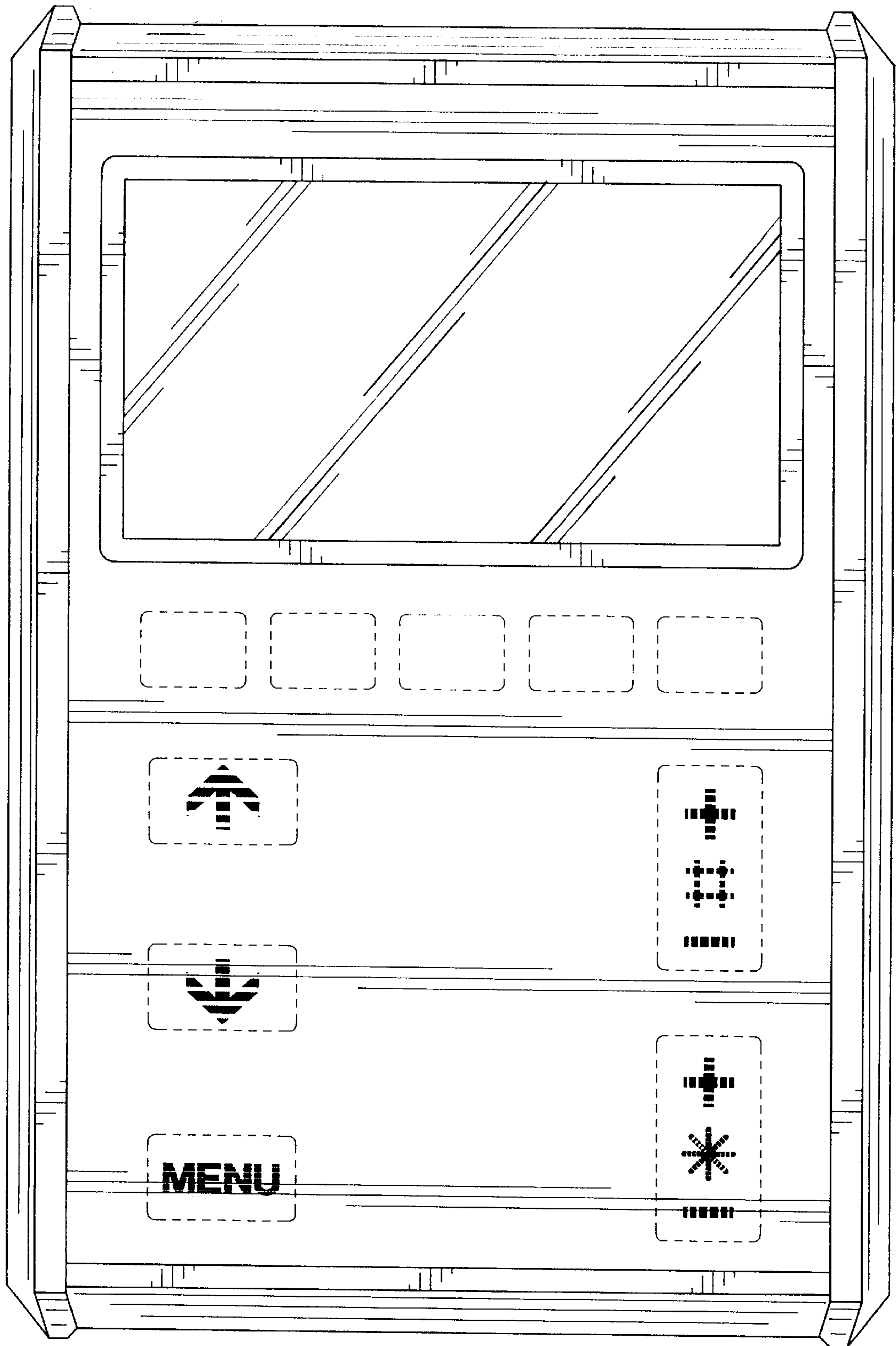


FIG. 18

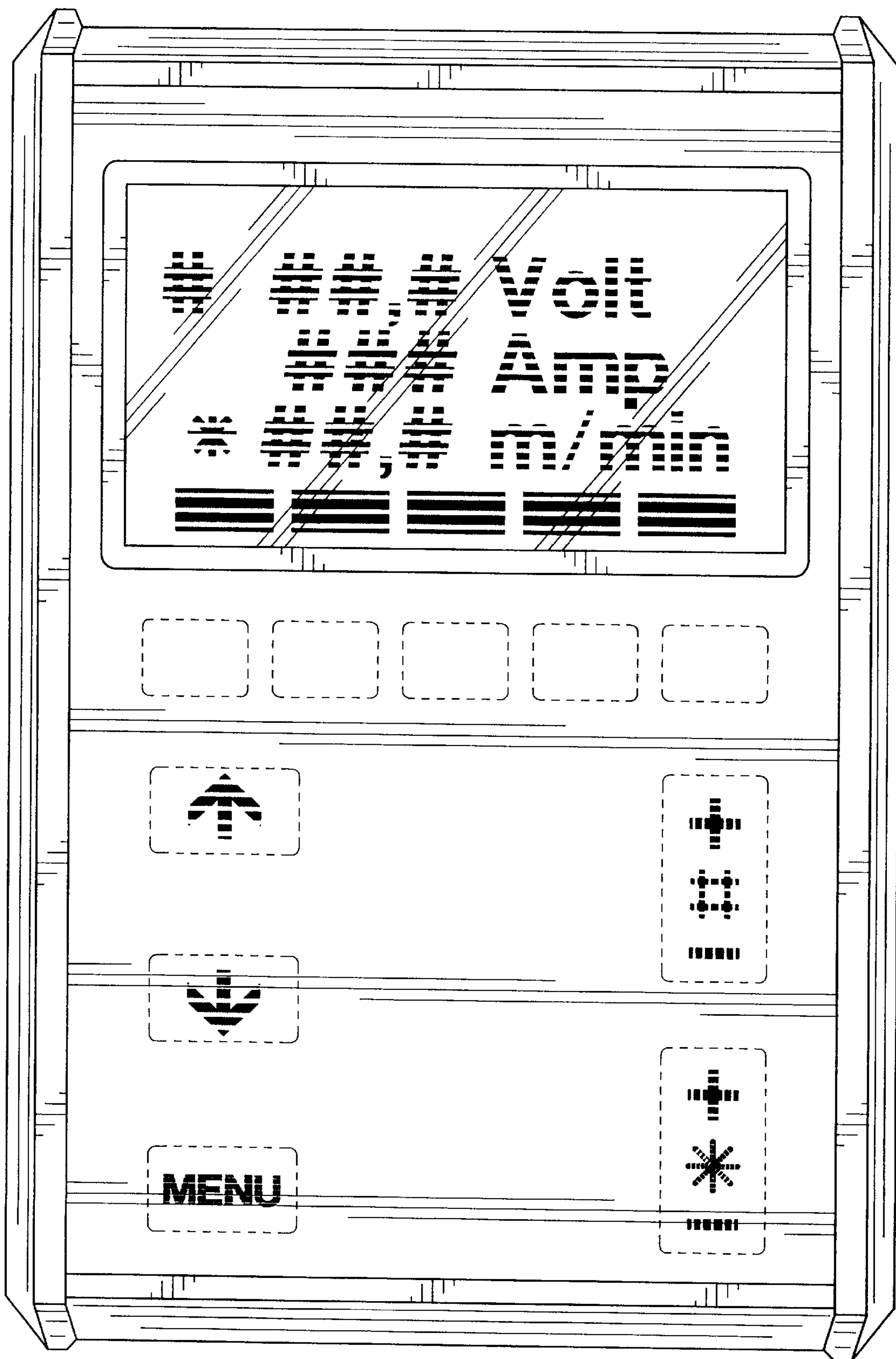


FIG. 19

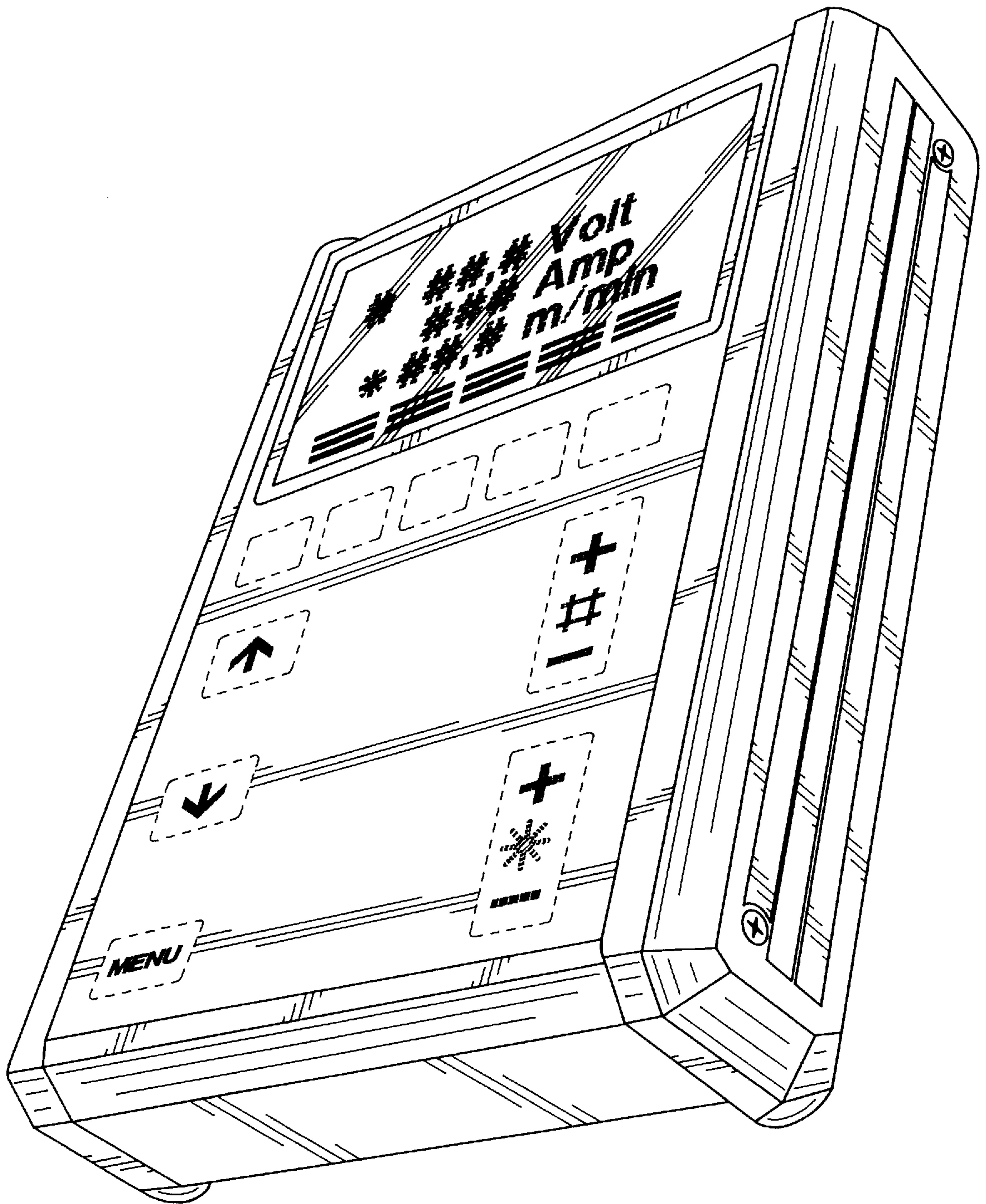


FIG. 20

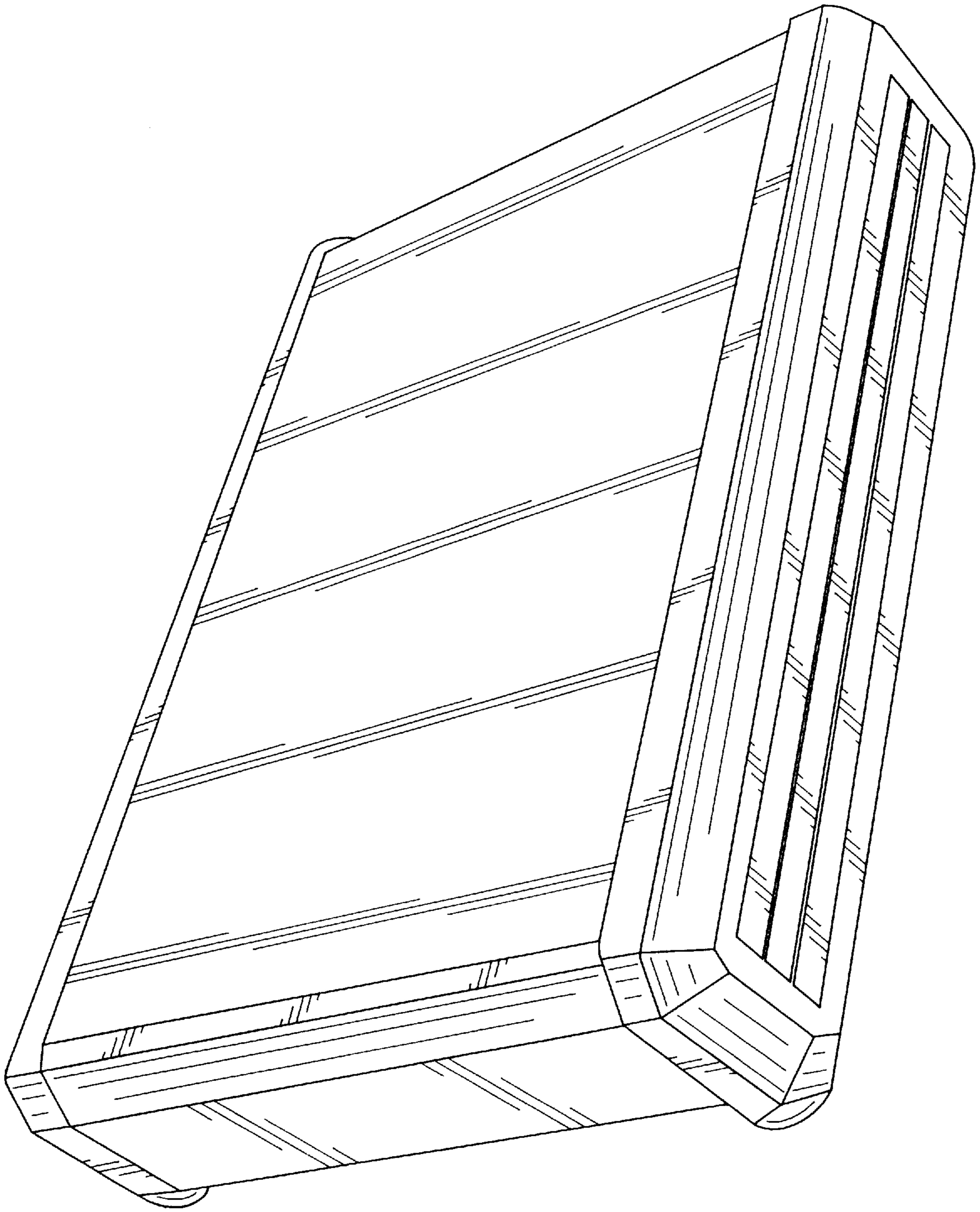


FIG. 21

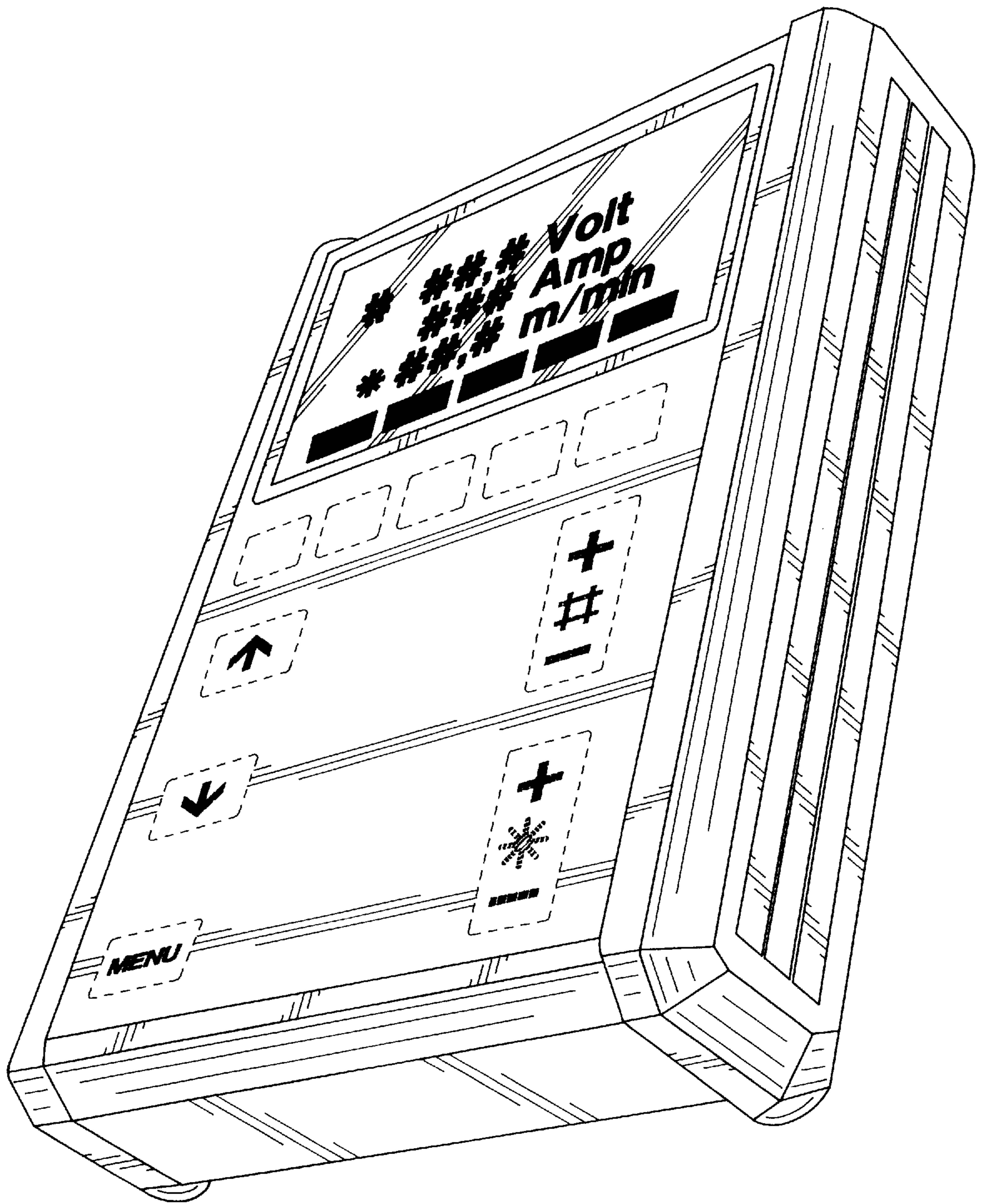


FIG. 22

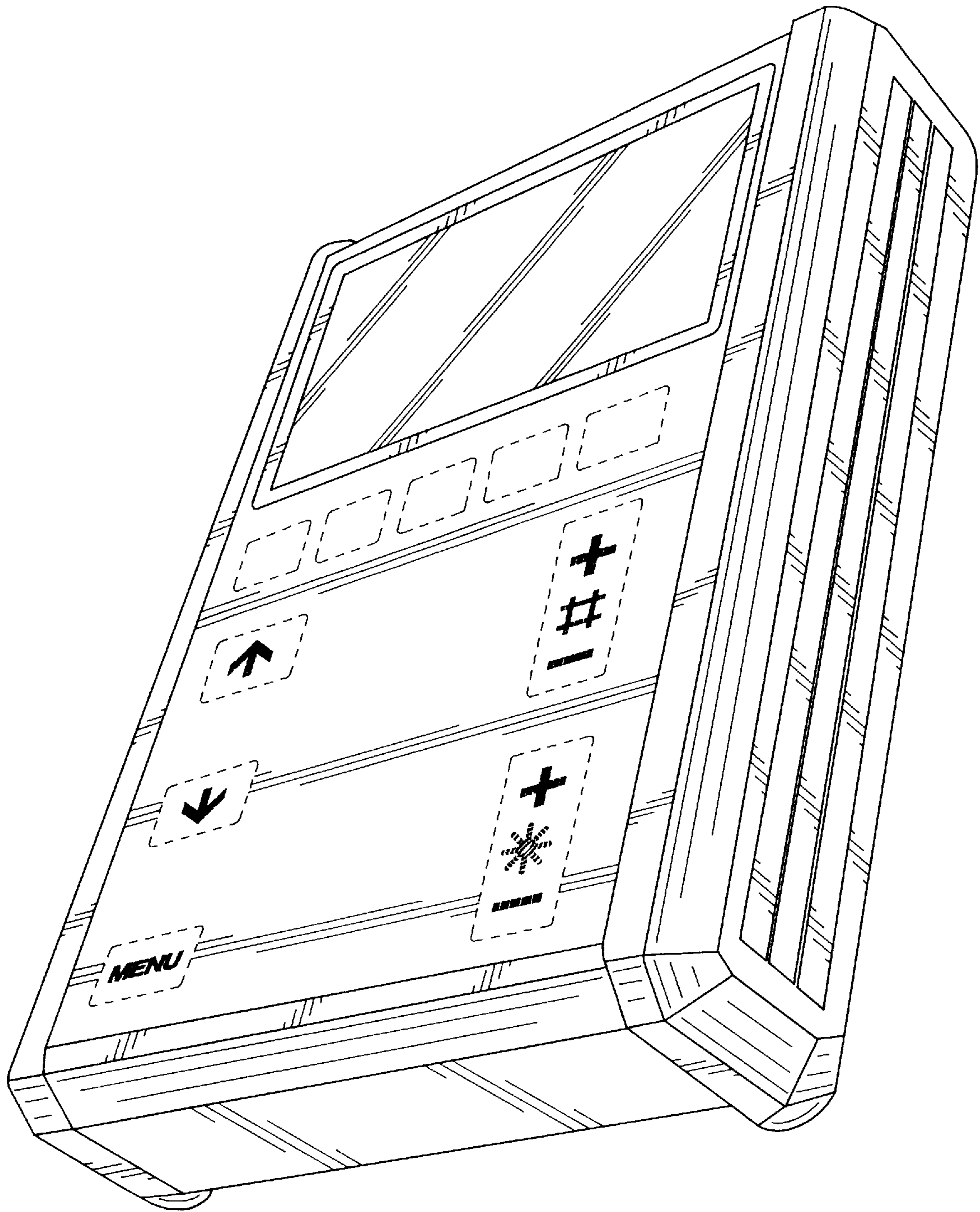


FIG. 23

UNITED STATES PATENT AND TRADEMARK OFFICE
CERTIFICATE OF CORRECTION

PATENT NO. : Des. 402,268

DATED : December 8, 1998

INVENTOR(S) : Lars GERDIN, Ronald KÖRBER, and Per ÅBERG

It is certified that error appears in the above-identified patent and that said Letters Patent is hereby corrected as shown below:

On the Title page, item [75] Inventors:, delete "Löfstagaten;" and substitute therefor --Orebro;--.

On the Title page, item [75] Inventors:, delete "Hjortronstigen," and substitute therefor --Laxa-.

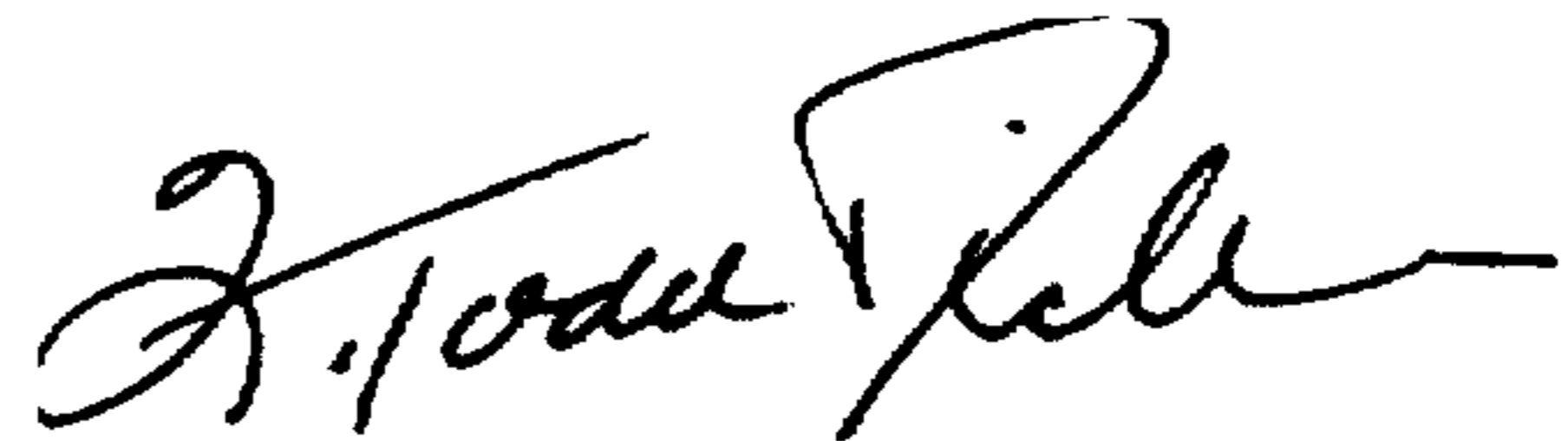
In Column 2, line 1, after 'a', delete "perpsective" and substitute therefor --perspective--.

In Column 2, line 41, after 'view', delete "fo" and substitute therefor --of--.

Signed and Sealed this

Twenty-seventh Day of July, 1999

Attest:



Q. TODD DICKINSON

Attesting Officer

Acting Commissioner of Patents and Trademarks