



US00D402263S

United States Patent [19]
Scherer et al.

[11] **Patent Number: Des. 402,263**

[45] **Date of Patent: **Dec. 8, 1998**

[54] **STRAIGHT SINGLE RACEWAY FITTING**

5,235,136 8/1993 Santucci et al. 174/68.3
5,682,926 11/1997 Perttula 138/157

[75] Inventors: **Craig Scherer**, Wilmette; **Michael Thuma**, Des Plaines, both of Ill.

Primary Examiner—Joel Sincavage
Attorney, Agent, or Firm—Mark D. Hilliard; Robert A. McCann; Michael J. Turgeon

[73] Assignee: **Panduit Corp.**, Tinley Park, Ill.

[**] Term: **14 Years**

[57] **CLAIM**

[21] Appl. No.: **63,396**

The ornamental design for a straight single raceway fitting, as shown and described.

[22] Filed: **Dec. 6, 1996**

DESCRIPTION

[51] **LOC (6) Cl.** **13-03**

FIG. 1 is a perspective view of a straight single raceway fitting showing our new design;

[52] **U.S. Cl.** **D13/155**

FIG. 2 is an end view of thereof, the opposite end view being identical;

[58] **Field of Search** D13/155; 174/48, 174/49, 68.3, 72 C, 95, 101; 138/92, 155, 156, 157, 162; 52/220.7, 287.1

FIG. 3 is a side view of thereof, the opposite side view being identical;

[56] **References Cited**

FIG. 4 is a top view thereof;

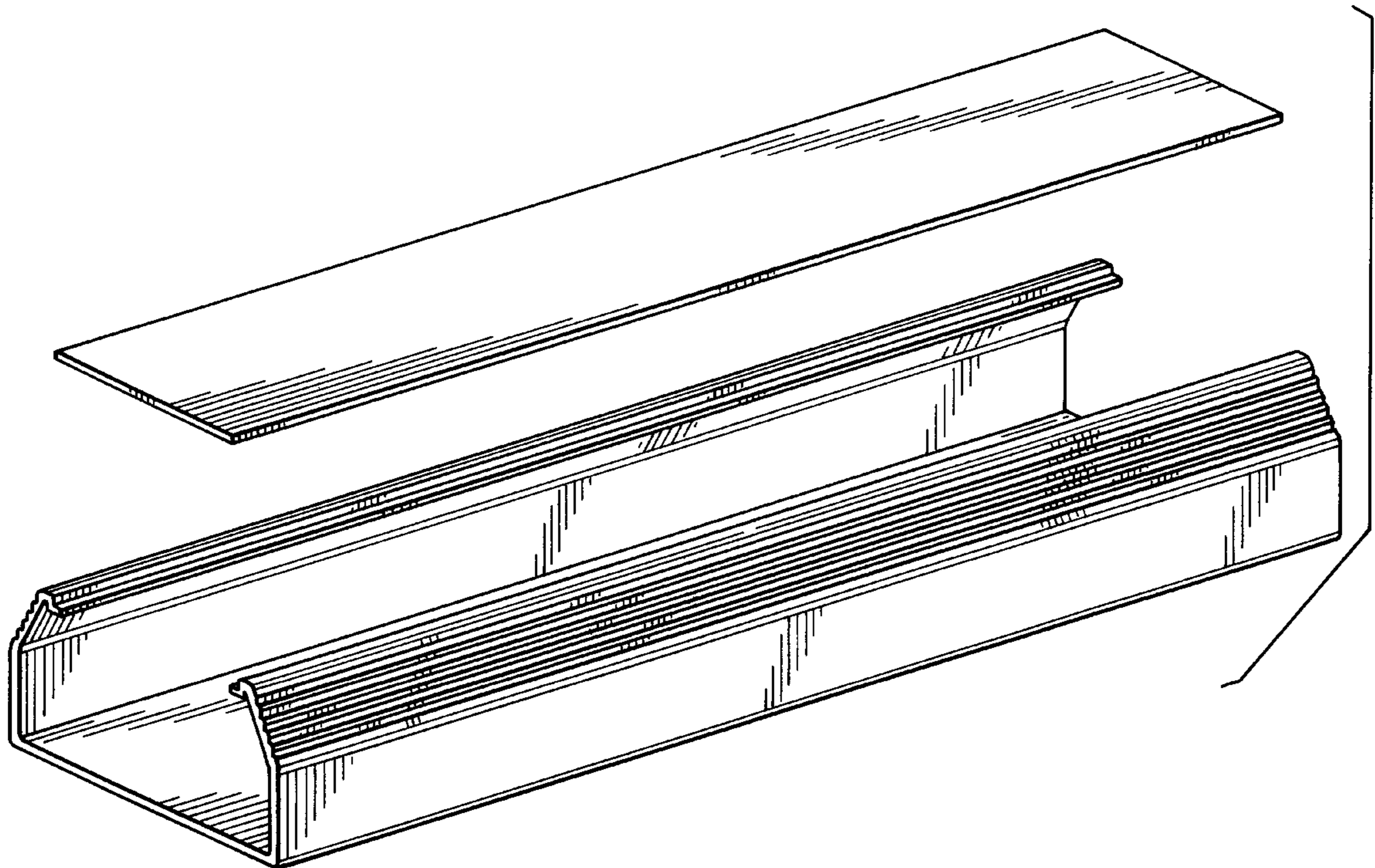
U.S. PATENT DOCUMENTS

FIG. 5 is an exploded view thereof; and,

D. 288,802	3/1987	Brawell	D13/155
D. 334,562	4/1993	Maloney	D13/155
1,817,034	8/1931	Hotchkin	174/72 C
4,589,449	5/1986	Bramwell	138/162
4,618,741	10/1986	Bramwell	174/68.3

FIG. 6 is a fragmentary detail end view of the ornamental grooved portion of the right sidewall of the raceway fitting, the corresponding portion of left sidewall being a mirror image.

1 Claim, 4 Drawing Sheets



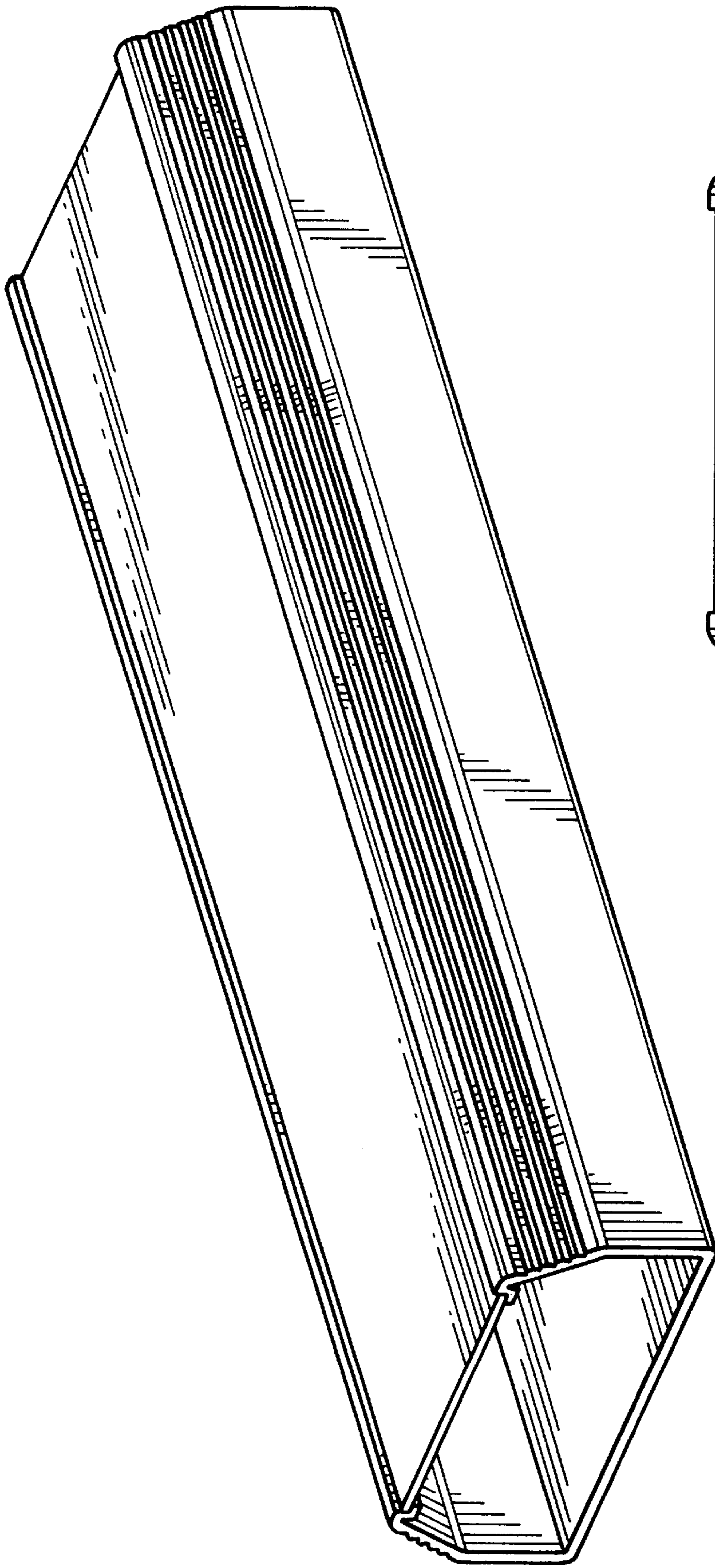


FIG. 1

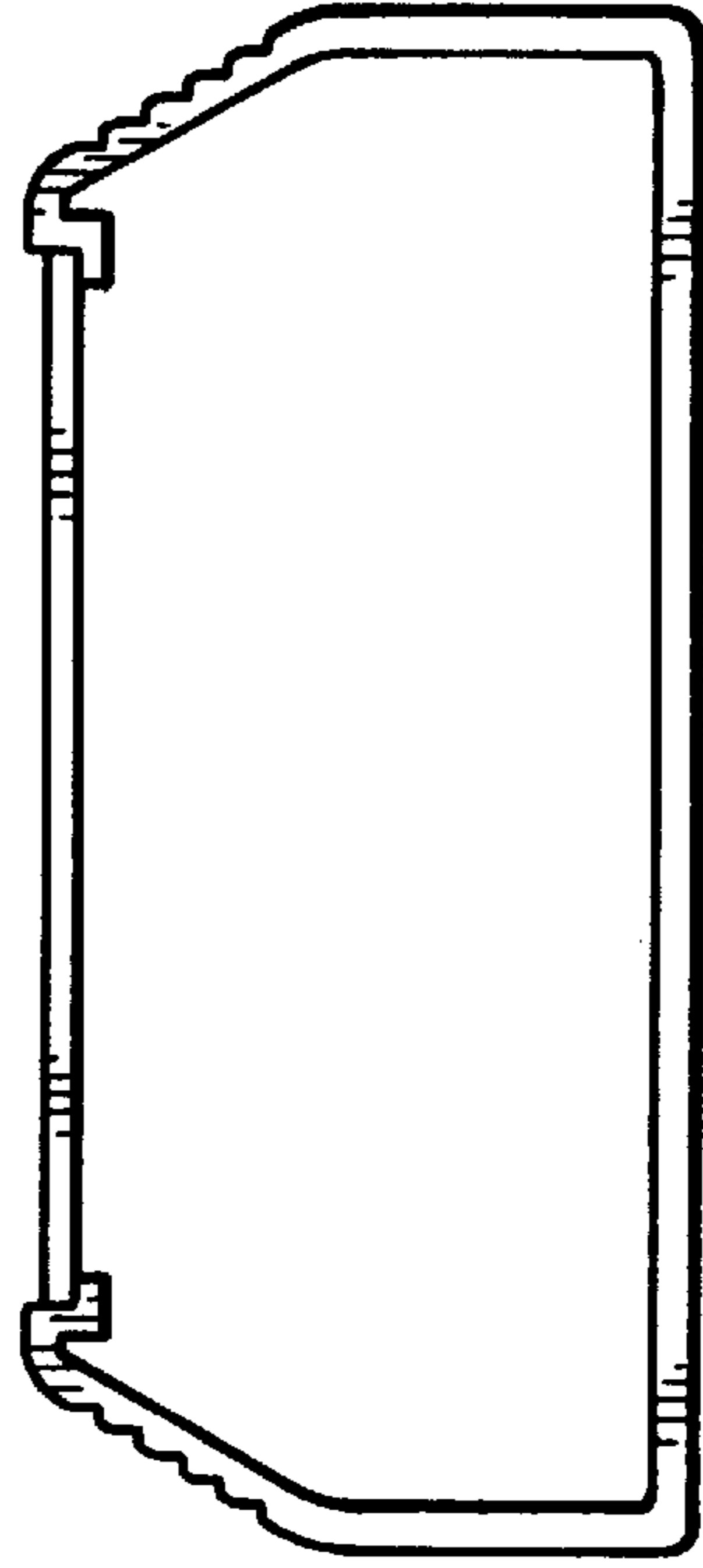


FIG. 2

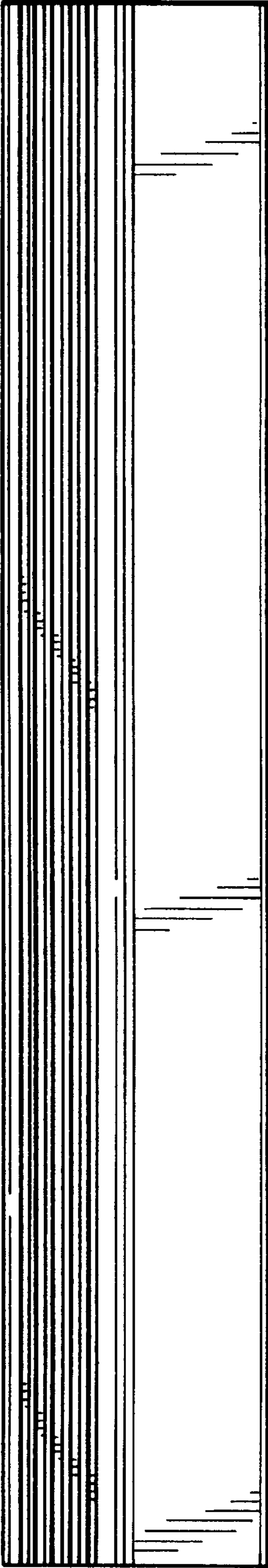


FIG. 3

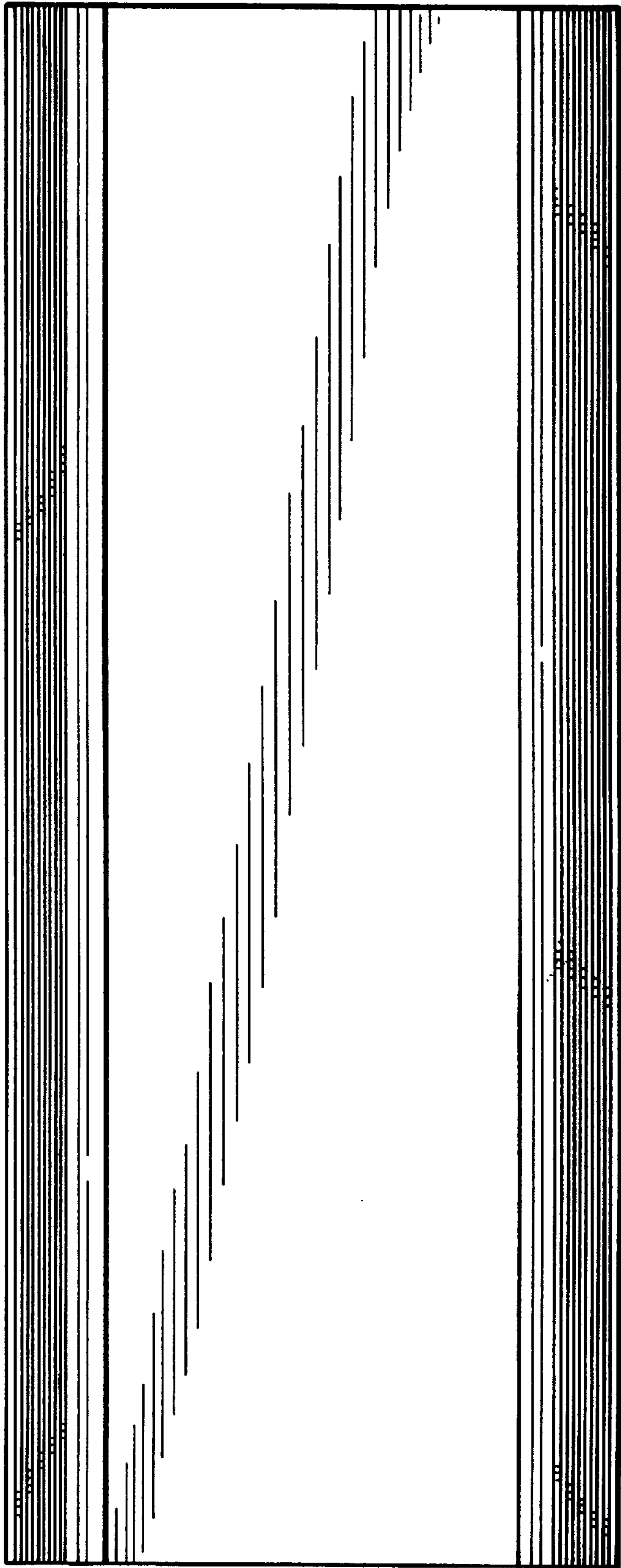
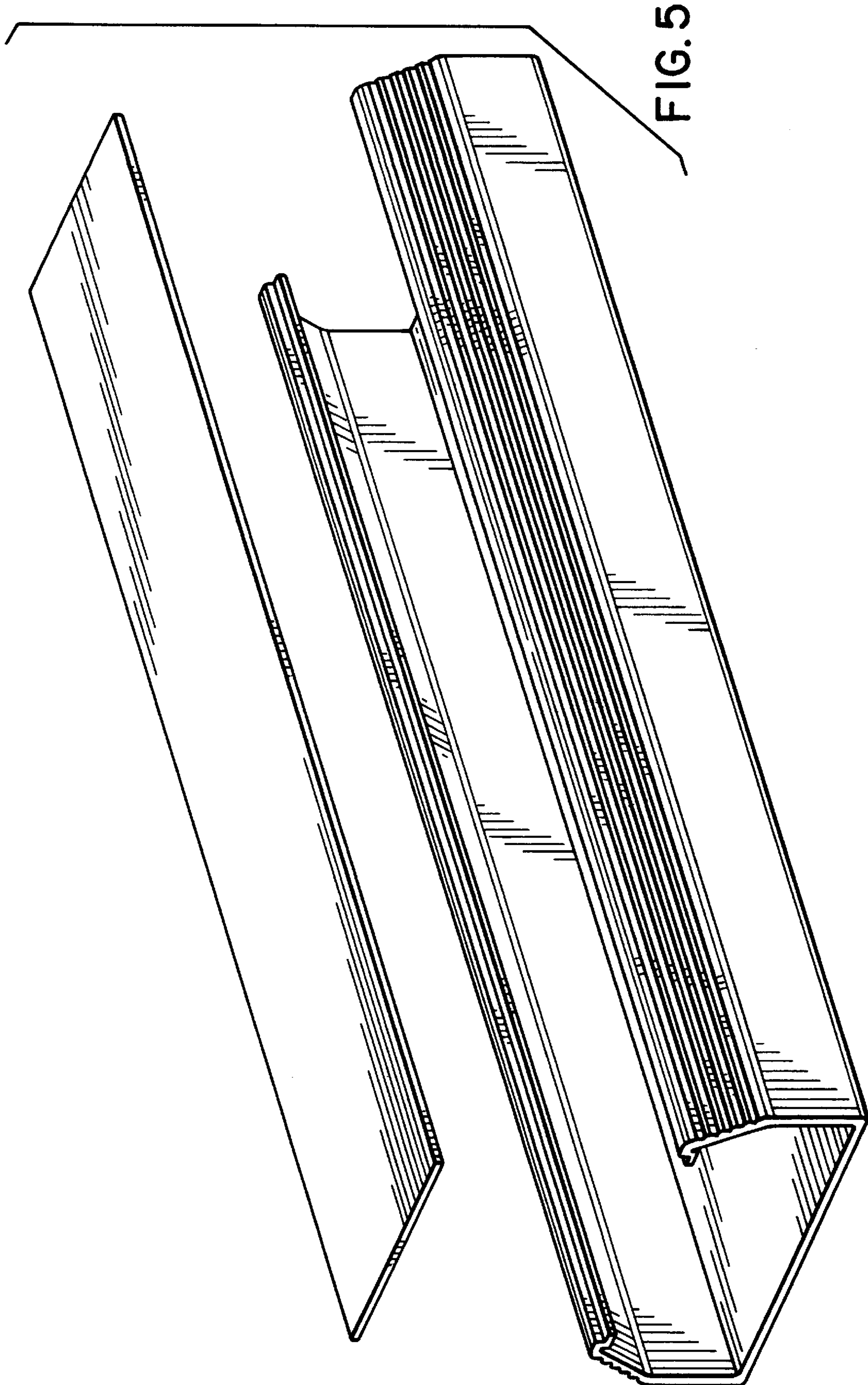


FIG. 4



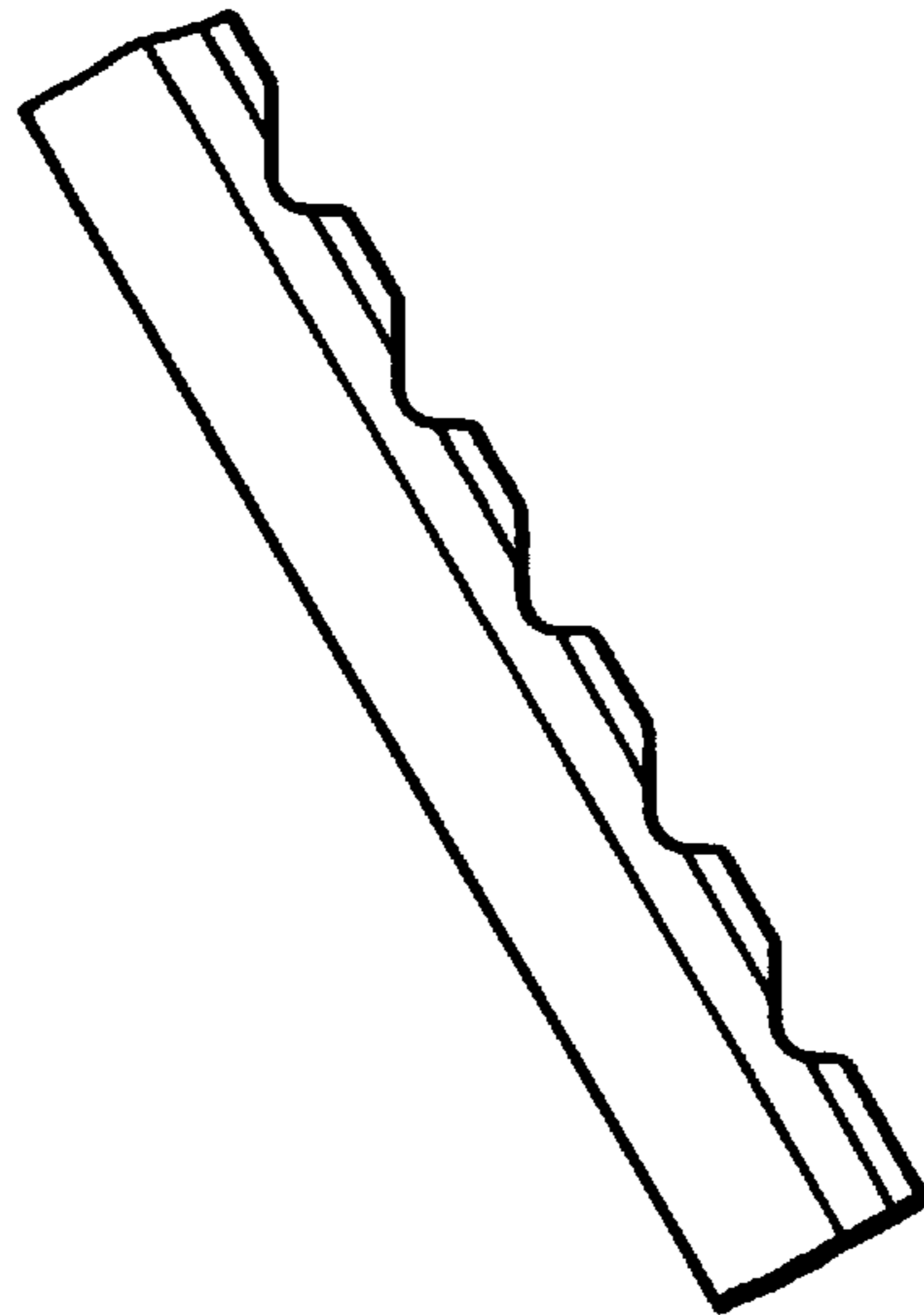


FIG. 6