



US00D402258S

**United States Patent** [19]  
**Kawakami**

[11] **Patent Number: Des. 402,258**  
[45] **Date of Patent: \*\*Dec. 8, 1998**

[54] **BATTERY CHARGER**

D. 368,892 4/1996 Tanaka ..... D13/108

[75] Inventor: **Seiichi Kawakami**, Osaka, Japan

*Primary Examiner*—Joel Sincavage  
*Attorney, Agent, or Firm*—Loeb & Loeb LLP

[73] Assignee: **Sanyo Electric Co., Ltd.**, Osaka, Japan

[57] **CLAIM**

[\*\*] Term: **14 Years**

The ornamental design for a battery charger, as shown and described.

[21] Appl. No.: **57,793**

[22] Filed: **Jul. 31, 1996**

[30] **Foreign Application Priority Data**

Feb. 22, 1996 [JP] Japan ..... 8-4712

[51] **LOC (6) Cl.** ..... **13-02**

[52] **U.S. Cl.** ..... **D13/107**

[58] **Field of Search** ..... D13/107, 108;  
320/2, 3, 4, 15

**DESCRIPTION**

FIG. 1 is a perspective view of the present invention;  
FIG. 2 is a front elevational view thereof;  
FIG. 3 is a rear elevational view thereof;  
FIG. 4 is a top plan view thereof;  
FIG. 5 is a bottom plan view thereof;  
FIG. 6 is a left elevational view thereof; and,  
FIG. 7 is a right elevational view thereof.

The broken line showing in FIG. 1 is included for the purpose of illustrating environmental structure only and forms no part of the claimed design.

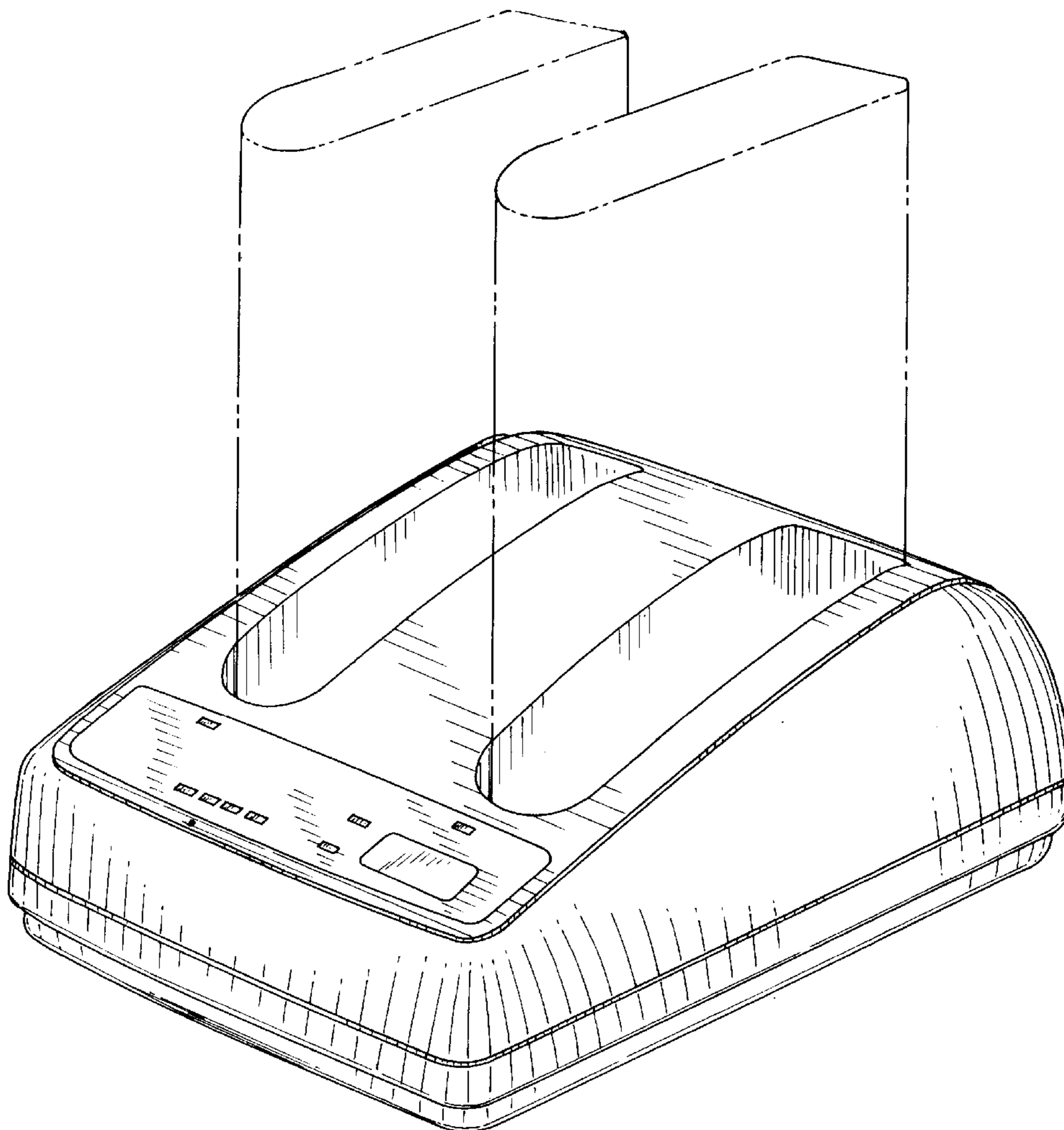
The appearance of the elements at the bottom of the battery cavities as seen from any other perspective than the one shown in FIG. 4 is not part of the claimed design.

[56] **References Cited**

**U.S. PATENT DOCUMENTS**

- D. 322,060 12/1991 Iino ..... D13/107
- D. 337,986 8/1993 Brunner et al. .... D13/108
- D. 345,728 4/1994 Tyneski et al. .... D13/108

**1 Claim, 4 Drawing Sheets**



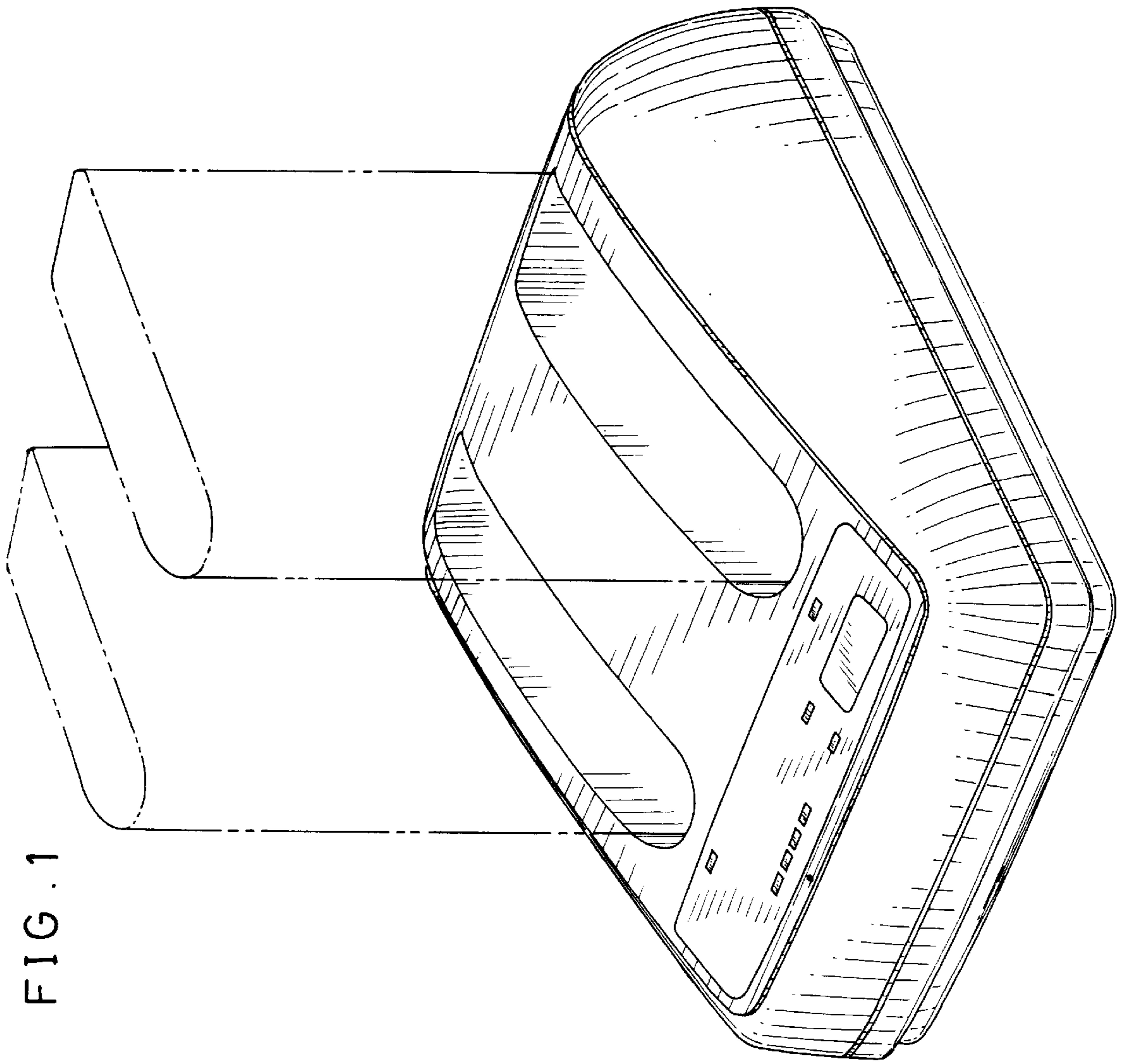


FIG. 1

FIG. 3

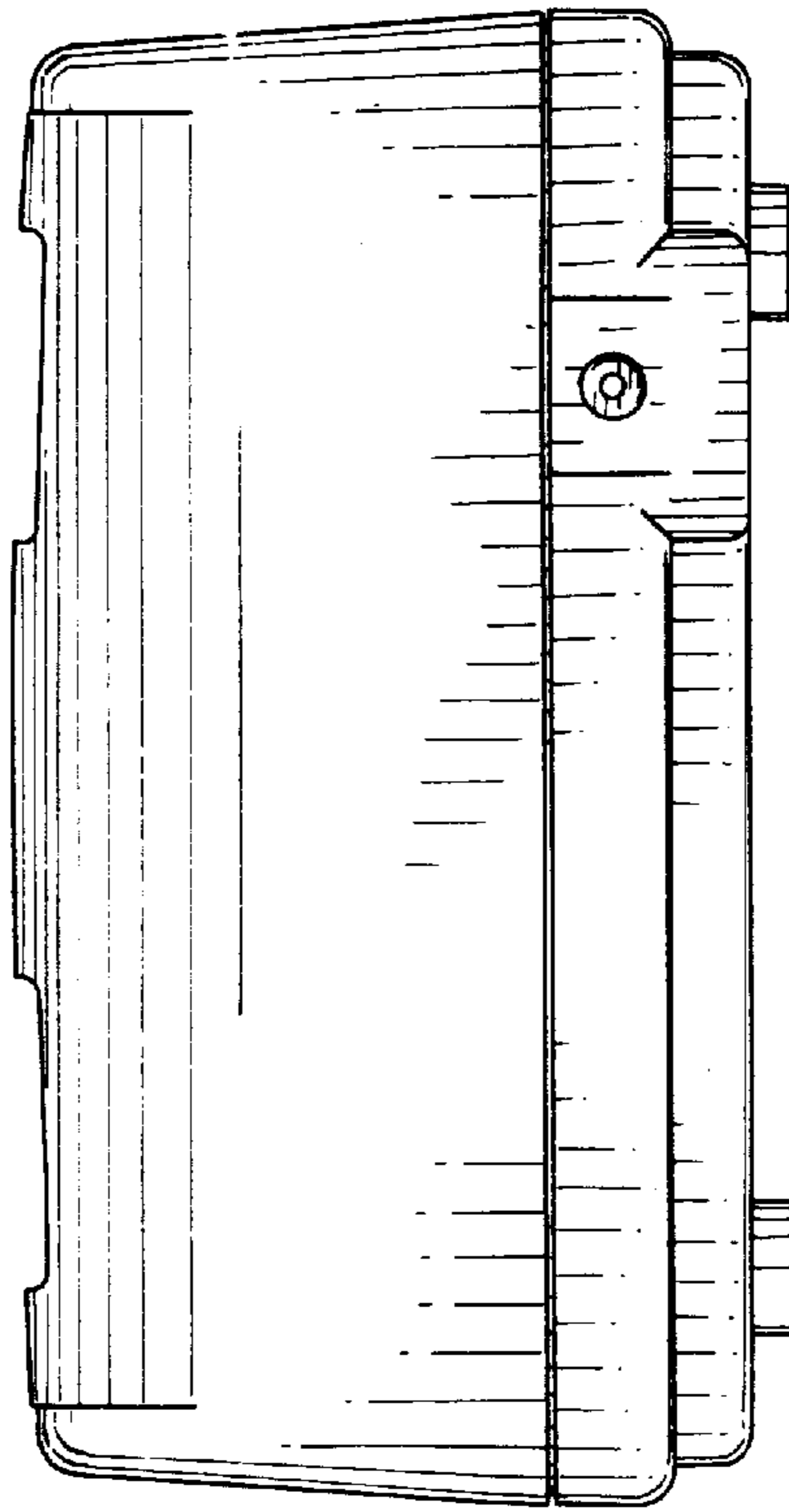


FIG. 2

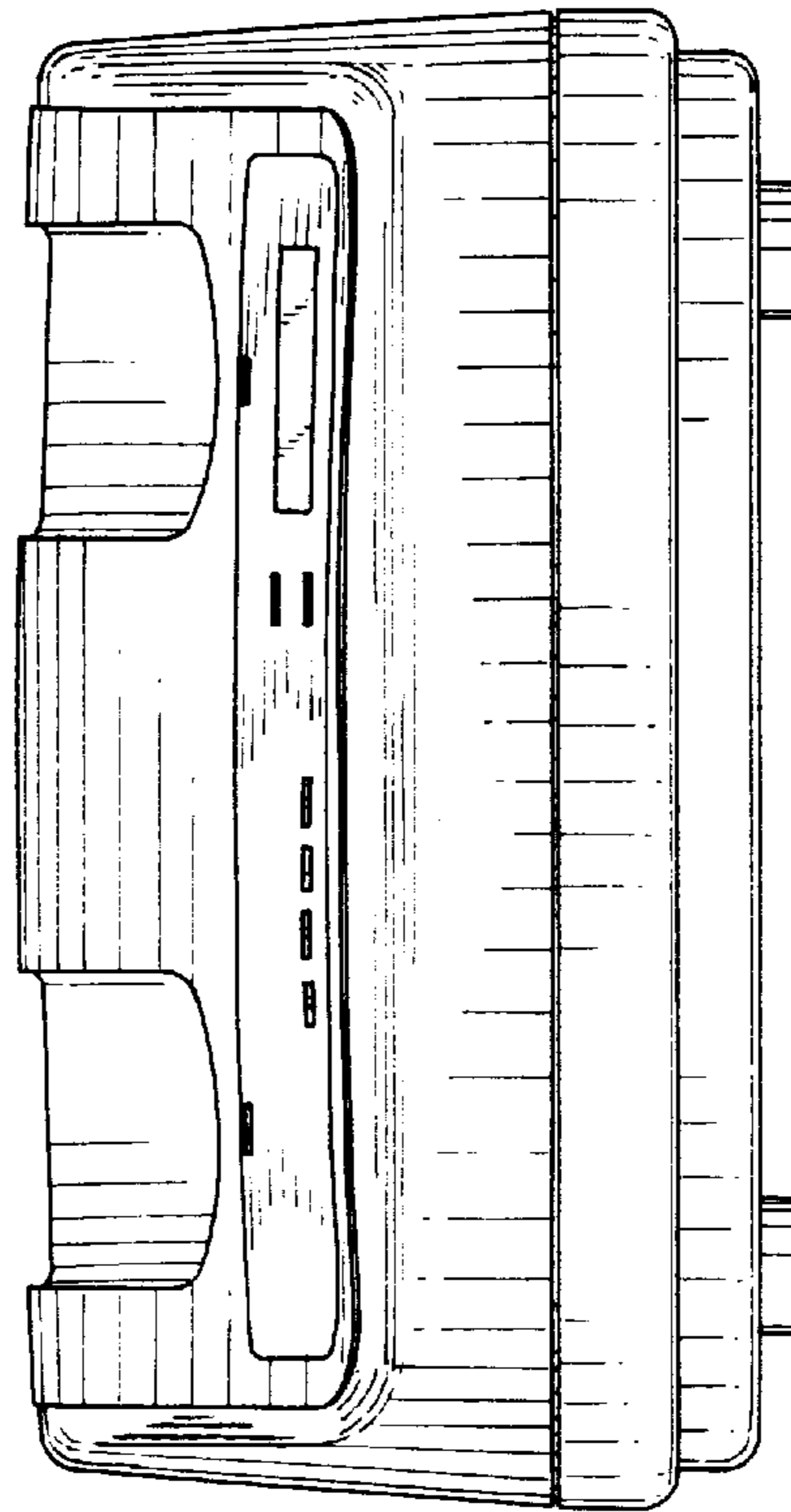


FIG. 5

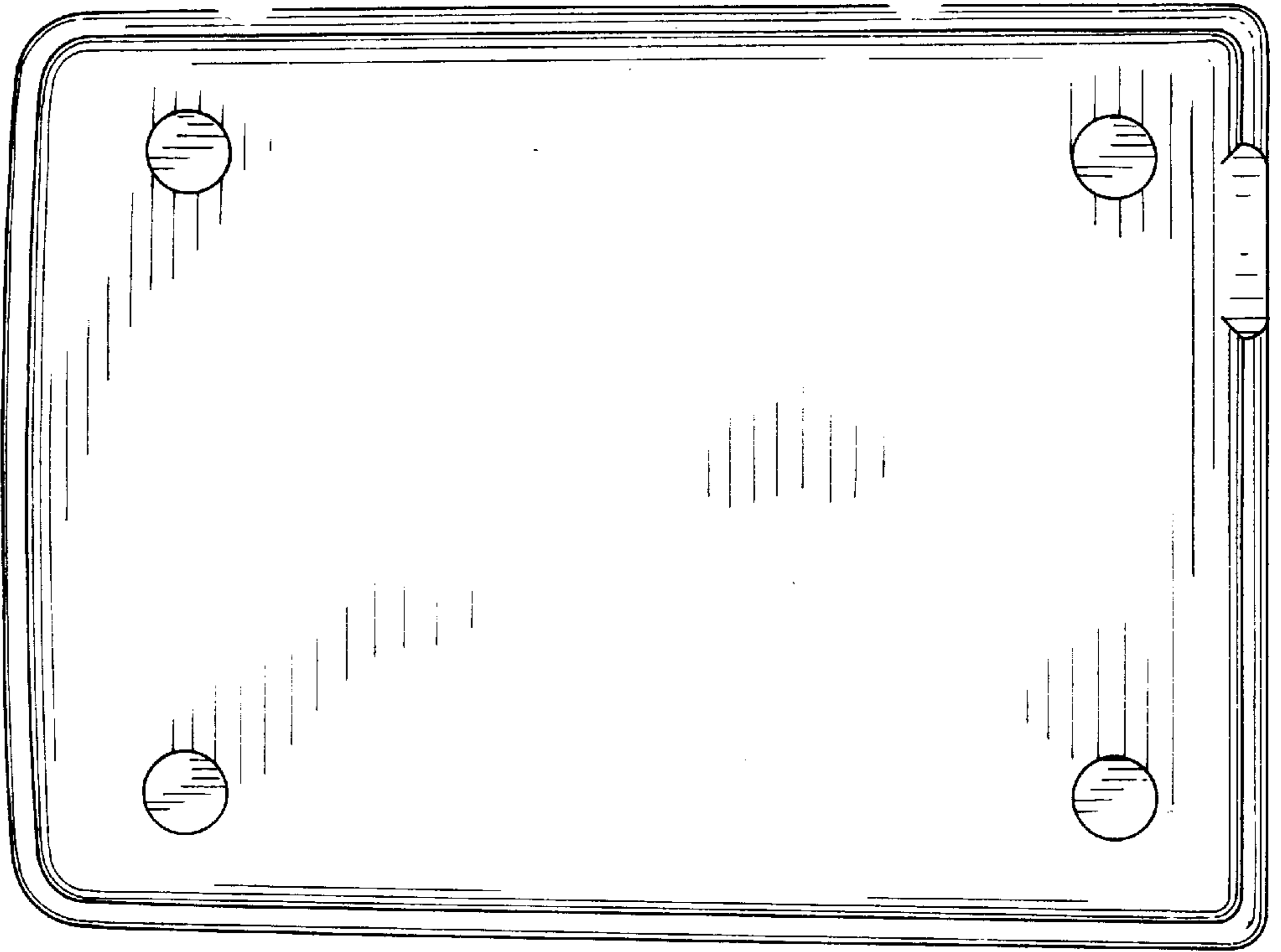


FIG. 4

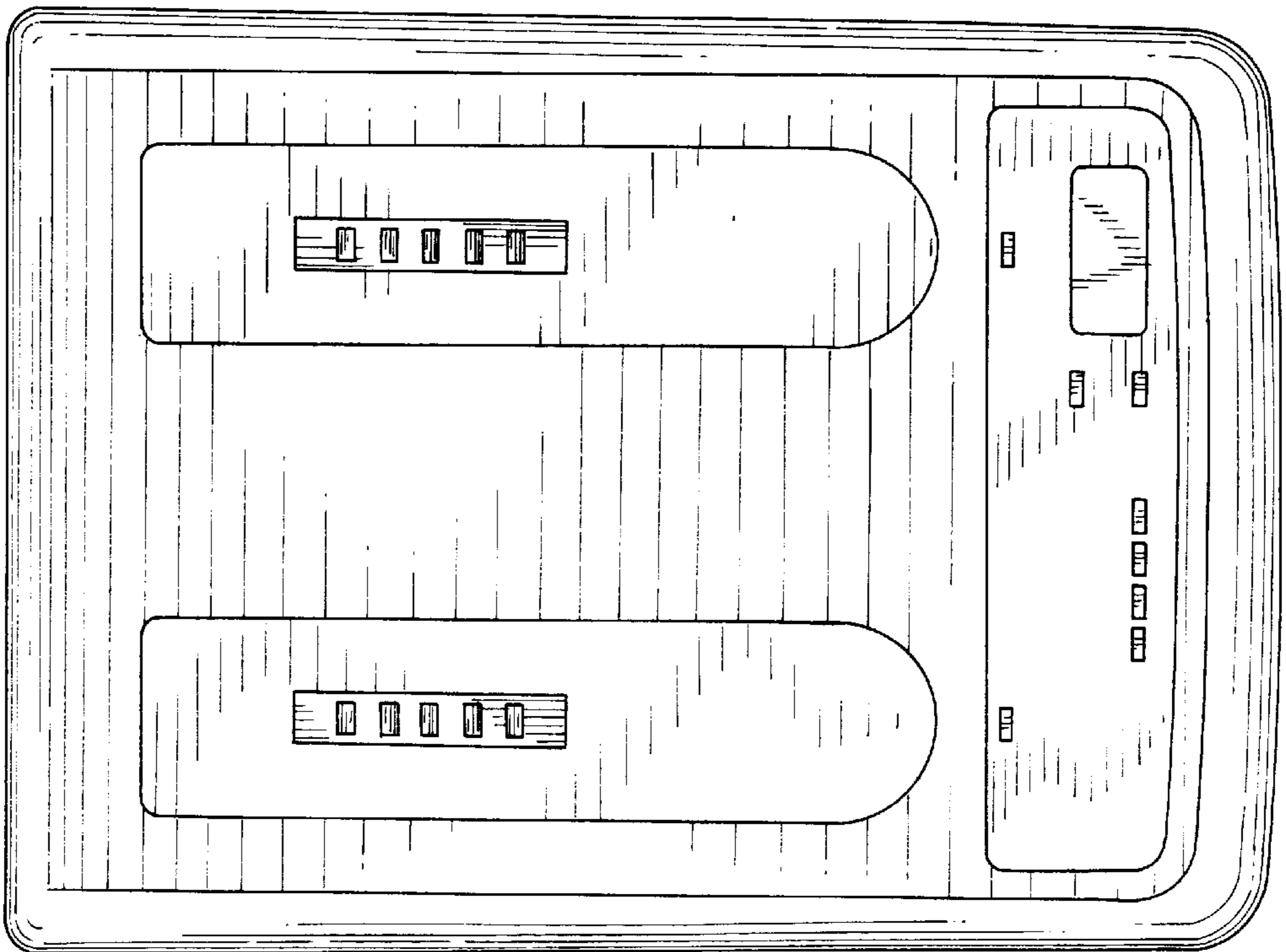


FIG. 6

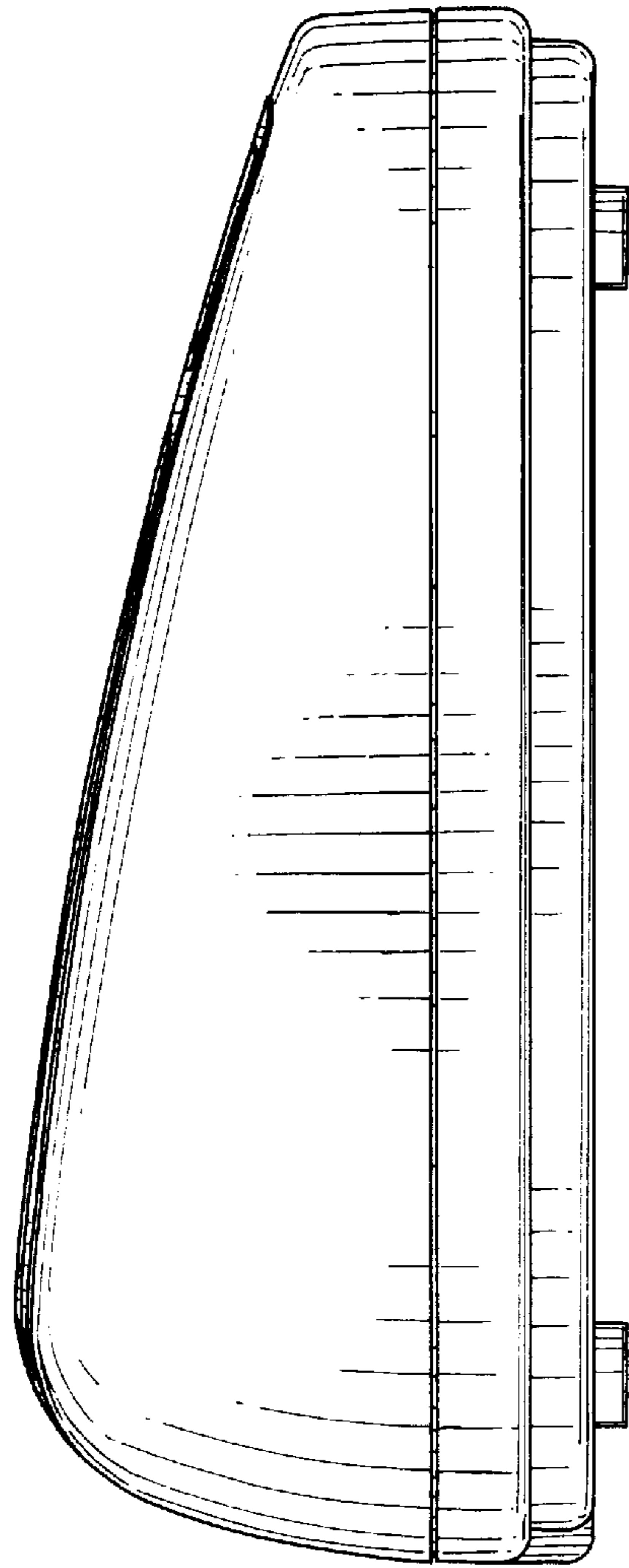


FIG. 7

