



US00D402252S

# United States Patent [19] Kulla

[11] **Patent Number:** **Des. 402,252**  
[45] **Date of Patent:** **\*\*Dec. 8, 1998**

[54] **FRONT FACE OF A VEHICLE WHEEL**

[75] Inventor: **Matthias Kulla**, Leonberg, Germany

[73] Assignee: **Ing. h.c.F. Porsche AG**

[\*\*] Term: **14 Years**

[21] Appl. No.: **75,104**

[22] Filed: **Aug. 15, 1997**

### [30] Foreign Application Priority Data

Feb. 15, 1997 [DE] Germany ..... M 97 01 497.4

[51] **LOC (6) Cl.** ..... **12-16**

[52] **U.S. Cl.** ..... **D12/211**

[58] **Field of Search** ..... D12/204-213;  
301/64.1, 65, 37.1

### [56] References Cited

#### U.S. PATENT DOCUMENTS

D. 204,933	5/1966	Richter	.....	D12/211
D. 205,449	8/1966	Reid	.....	D12/211
D. 208,541	9/1967	Rader	.....	D12/211
D. 219,871	2/1971	Griffith	.....	D12/209

D. 336,886	6/1993	Mikawa	.....	D12/211
D. 350,523	9/1994	Mobius	.....	D12/209
D. 367,030	2/1996	Bouldoukian	.....	D12/209
D. 370,883	6/1996	Bhambra	.....	D12/209
D. 375,286	11/1996	Abbott	.....	D12/209
D. 384,026	9/1997	Chrysanto	.....	D12/209
D. 384,630	10/1997	Bhambra	.....	D12/209
D. 389,112	1/1998	Chung	.....	D12/209

*Primary Examiner*—James Gandy  
*Assistant Examiner*—Stacia Sinuik  
*Attorney, Agent, or Firm*—Evenson McKeown Edwards & Lenahan, PLLC

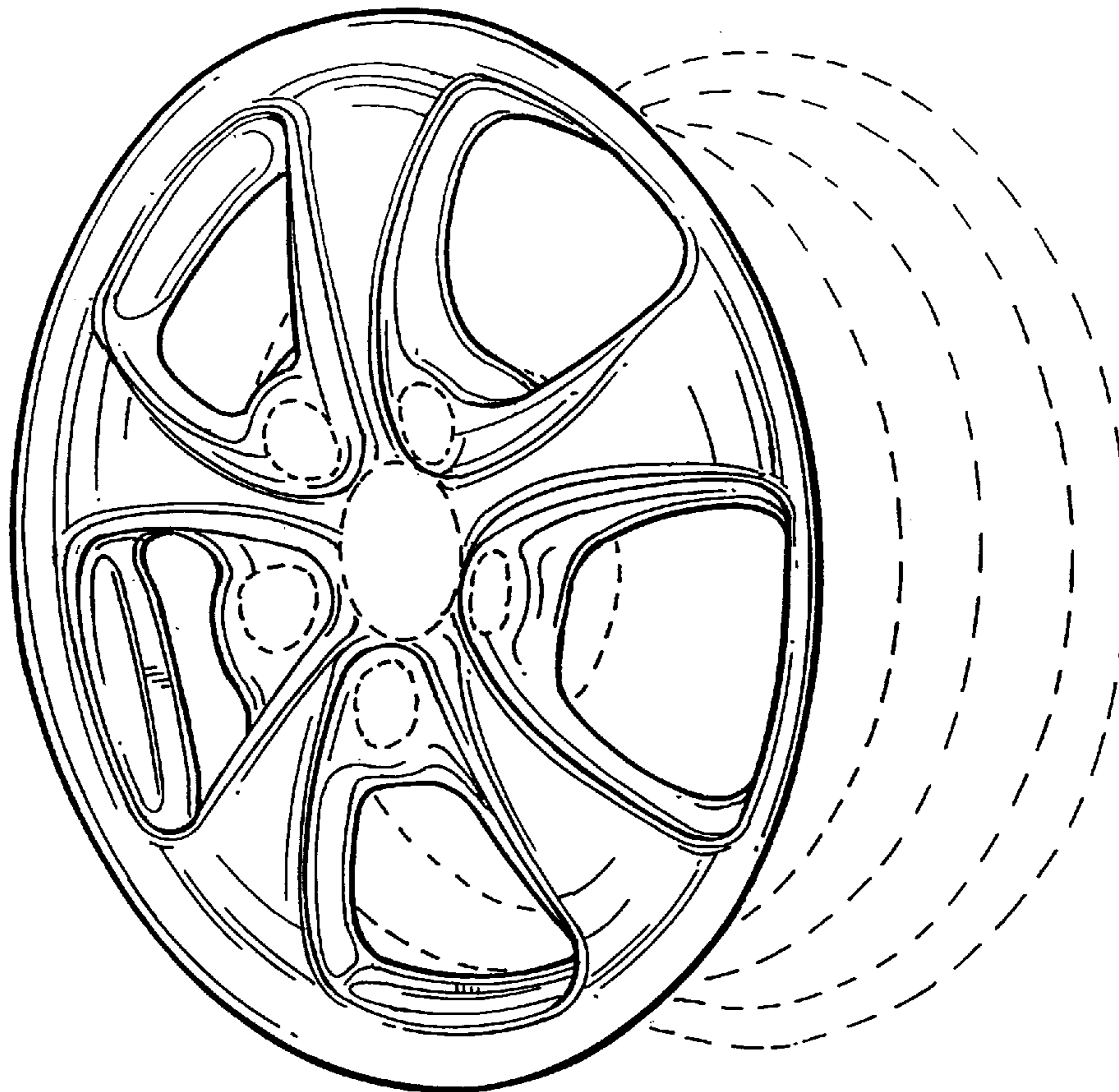
### [57] CLAIM

The ornamental design for a front face of a vehicle wheel, as shown and described.

### DESCRIPTION

FIG. 1 is a perspective view of a front face of a vehicle wheel according to my novel design; and, FIG. 2 is a front view of a front face of a vehicle wheel according to my novel design. Features shown in dash lines depict the environment and do not form part of the claimed design.

**1 Claim, 1 Drawing Sheet**



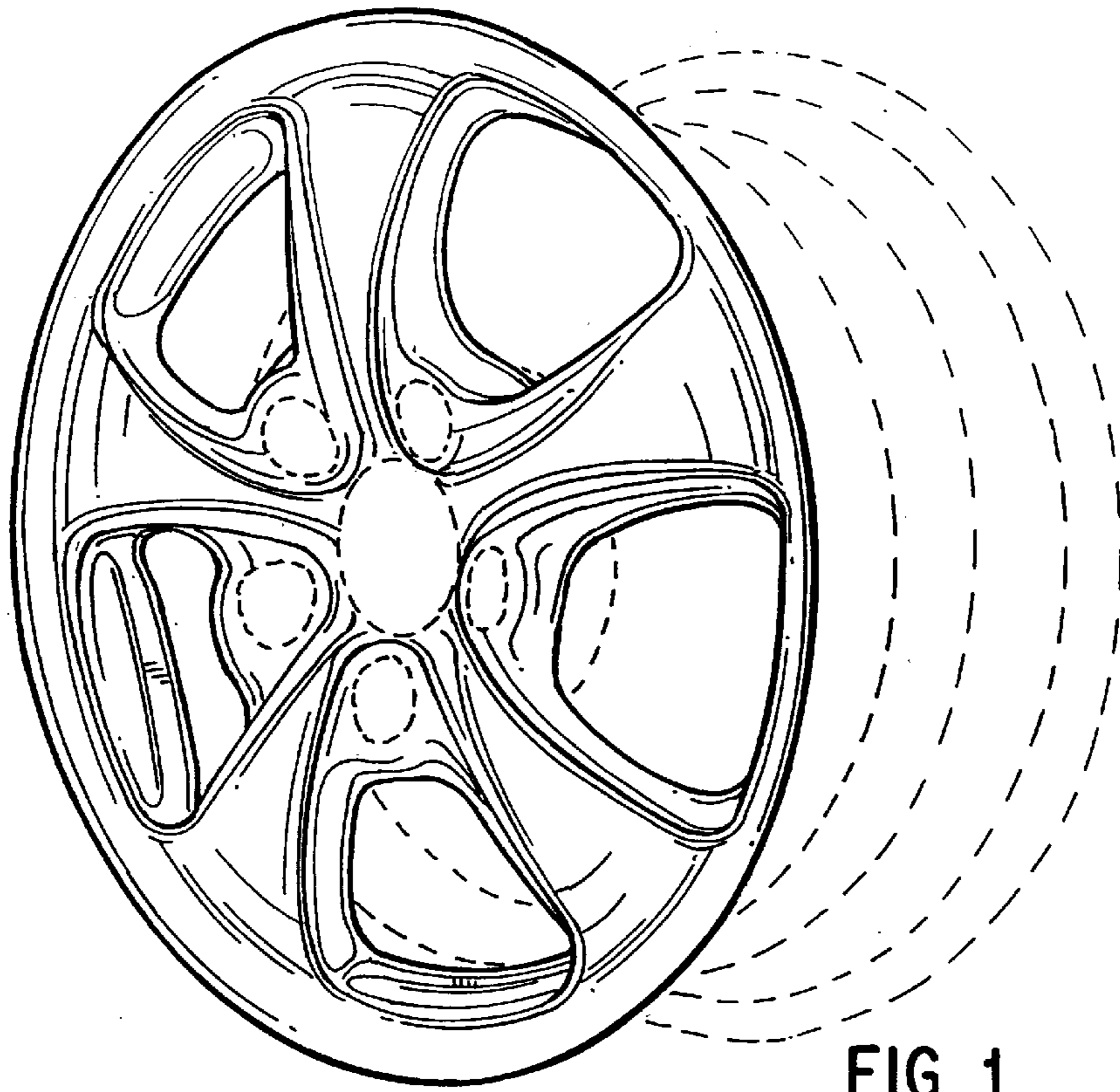


FIG. 1

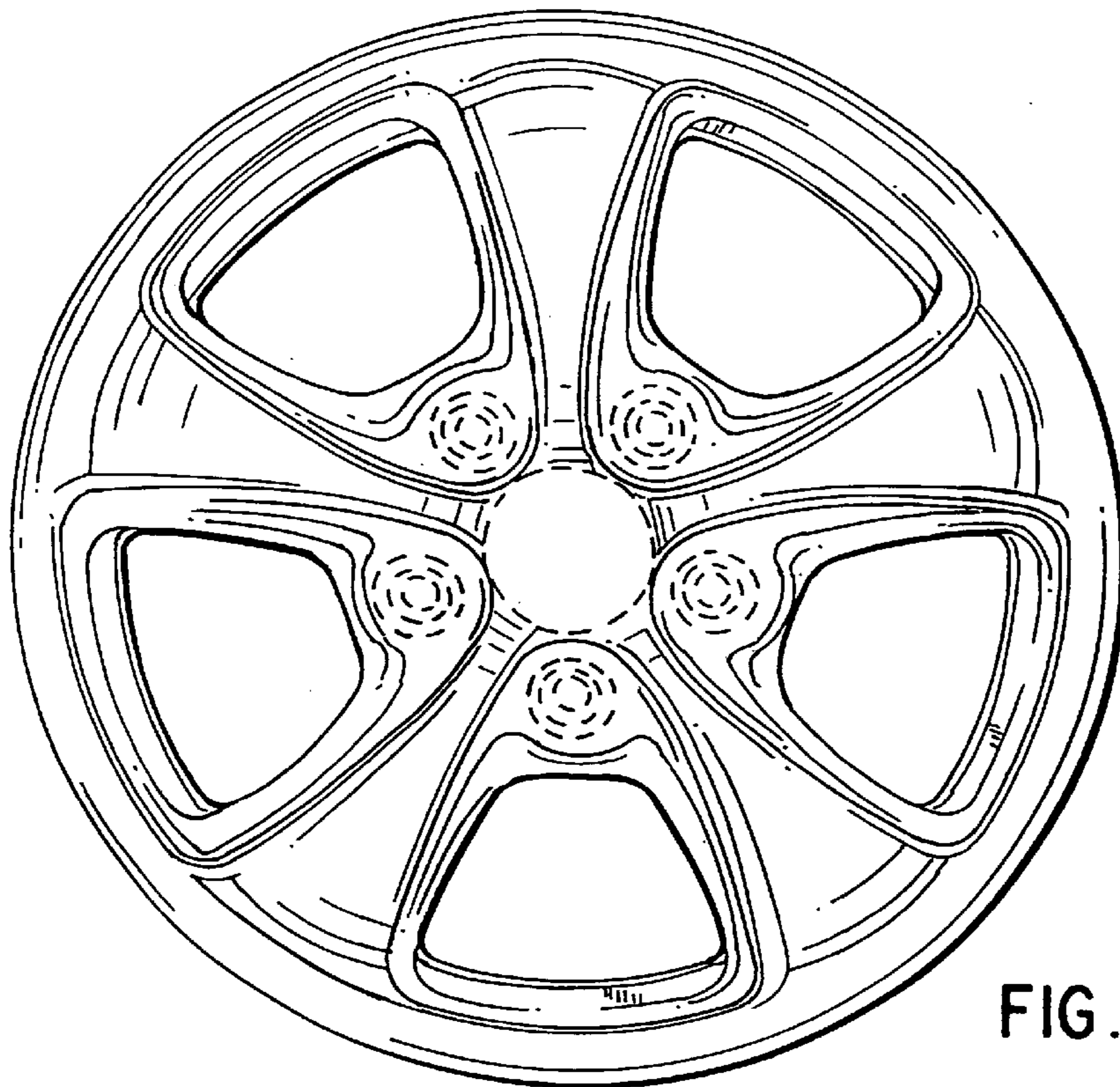


FIG. 2