



US00D402246S

United States Patent [19]

Guspodin et al.

[11] Patent Number: Des. 402,246

[45] Date of Patent: **Dec. 8, 1998

[54] TIRE TREAD

[75] Inventors: James G. Guspodin, Akron; Roger W. Marble, Kent; Hisao Ushikubo, Fairlawn, all of Ohio

[73] Assignee: Bridgestone/Firestone, Inc., Akron, Ohio

[**] Term: 14 Years

[21] Appl. No.: 38,748

[22] Filed: May 11, 1995

Related U.S. Application Data

[62] Division of Ser. No. 372,424, Jan. 13, 1995, abandoned.

[51] LOC (6) Cl. 12-15

[52] U.S. Cl. D12/151

[58] Field of Search D12/134, 136, D12/138, 140-151; 152/209 R, 209 D

[56] References Cited

U.S. PATENT DOCUMENTS

D. 302,261	7/1989	Kato	D12/151
D. 308,843	6/1990	Hitzky et al.	D12/147
D. 309,442	7/1990	Okada	D12/147
D. 312,063	11/1990	Covert et al.	D12/147
D. 316,533	4/1991	Killian	D12/147
D. 344,054	2/1994	Attinello et al.	D12/151
D. 360,861	8/1995	Graas et al.	D12/147
D. 362,420	9/1995	Heinen et al.	D12/147
D. 369,995	5/1996	Graas et al.	D12/147
D. 370,196	5/1996	Graas et al.	D12/147
4,456,046	6/1984	Miller	152/209 R
4,726,407	2/1988	Hayakawa et al.	152/209 R
4,884,607	12/1989	Mori	152/209 R
5,044,414	9/1991	Ushikubo	
5,131,443	7/1992	Kuhr et al.	152/209 R
5,322,106	6/1994	Kamegawa et al.	152/209 R
5,323,824	6/1994	Swift et al.	152/209 A
5,435,366	7/1995	Voigt et al.	152/209 R

FOREIGN PATENT DOCUMENTS

0 375 596 12/1988 European Pat. Off. .

0 609 195 A1	1/1994	European Pat. Off. .
62-1136801	10/1987	Japan .
2224472	5/1990	United Kingdom .
2239845	4/1993	United Kingdom .
2240522	6/1994	United Kingdom .

OTHER PUBLICATIONS

1994 Tread Design Guide -p. 64, Uniroyal Rallye RTT.

Primary Examiner—Robert M. Spear
Attorney, Agent, or Firm—Carmen Santa Maria

[57] CLAIM

The ornamental design for a tire tread, as shown and described.

DESCRIPTION

FIG. 1 is a right side perspective view of a tire tread showing our new design, it being understood that the tire tread pattern is repeated throughout the circumference of the tire tread, the opposite side being a mirror image of that shown;

FIG. 2 is a front elevational view of the tire tread of FIG. 1; FIG. 3 is a right side elevational view of the right side of the tire tread of FIG. 1, the opposite side being a mirror image thereof; and,

FIG. 4 is an enlarged fragmentary front elevational view of the tire tread of FIG. 1;

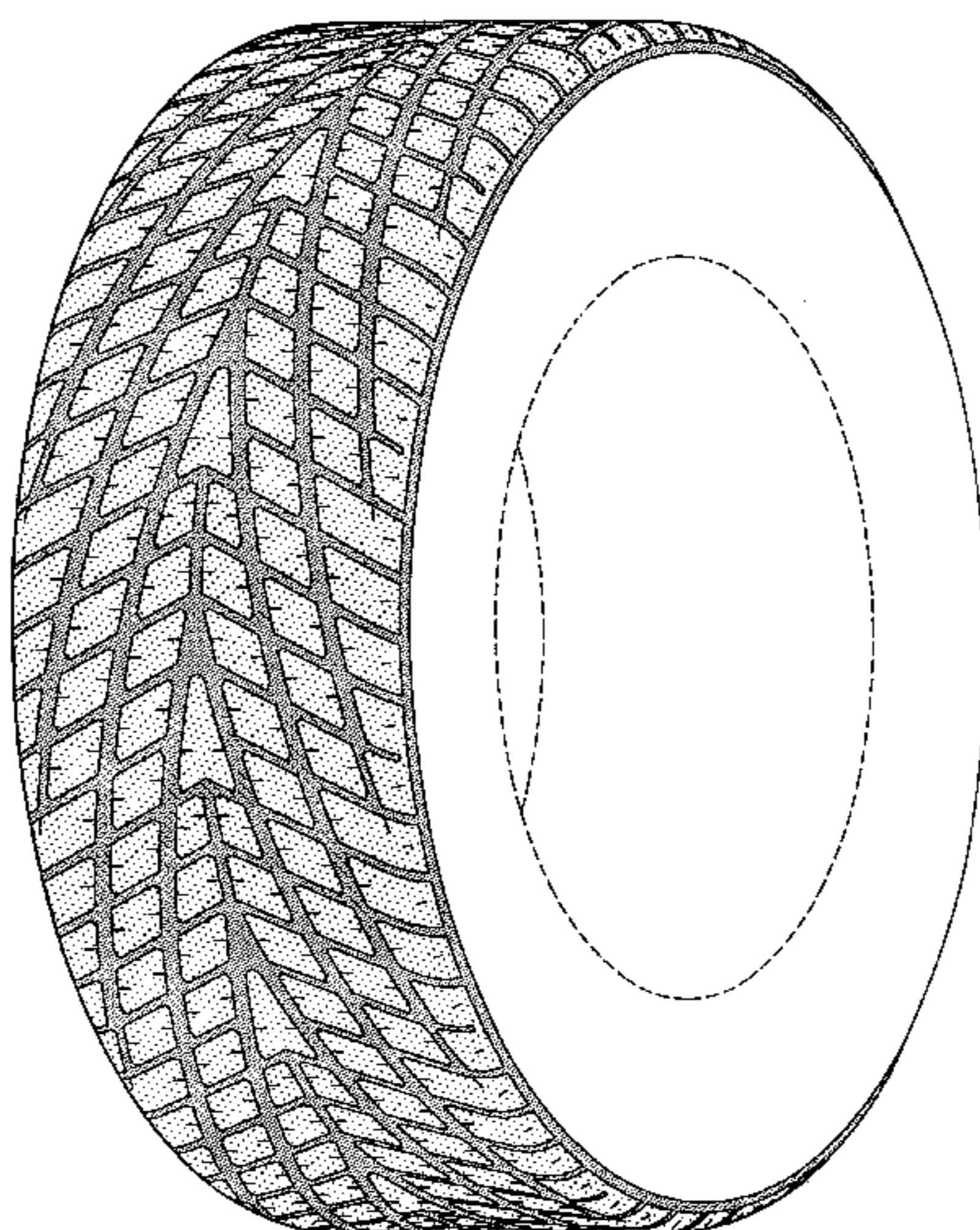
FIG. 5 is a right side perspective view of a second embodiment of a tire tread showing our new design, it being understood that the tire tread pattern is repeated throughout the circumference of the tire tread, the opposite side being a mirror image of that shown;

FIG. 6 is a front elevational view of the tire tread of FIG. 5; FIG. 7 is a right side elevational view of the right side of the tire tread of FIG. 5, the opposite side being a mirror image thereof; and,

FIG. 8 is an enlarged fragmentary front elevational view of the tire tread of FIG. 5.

In the drawings, the broken lines defining the tire inner bead and sidewall are for illustrative purposes only and form no part of the claimed design.

1 Claim, 8 Drawing Sheets



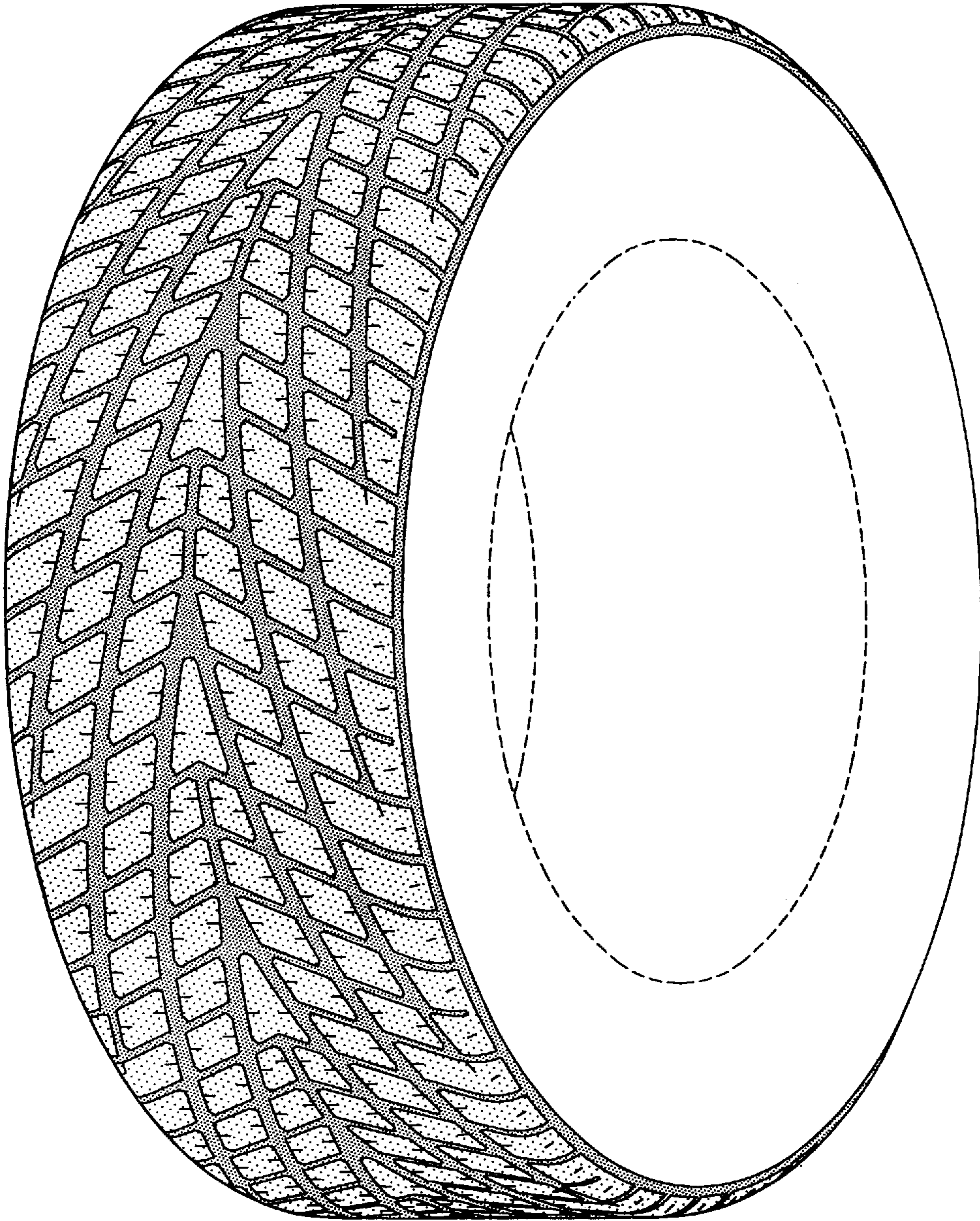


FIG-1

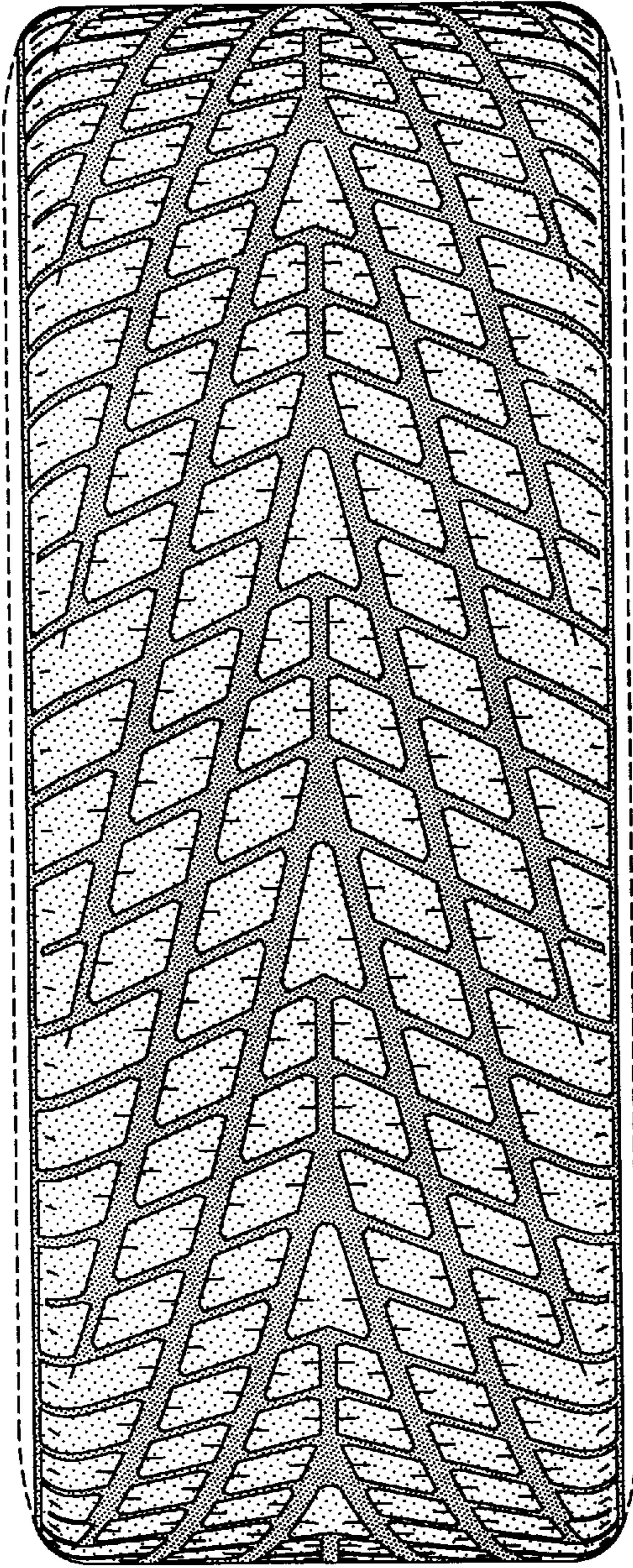


FIG-2

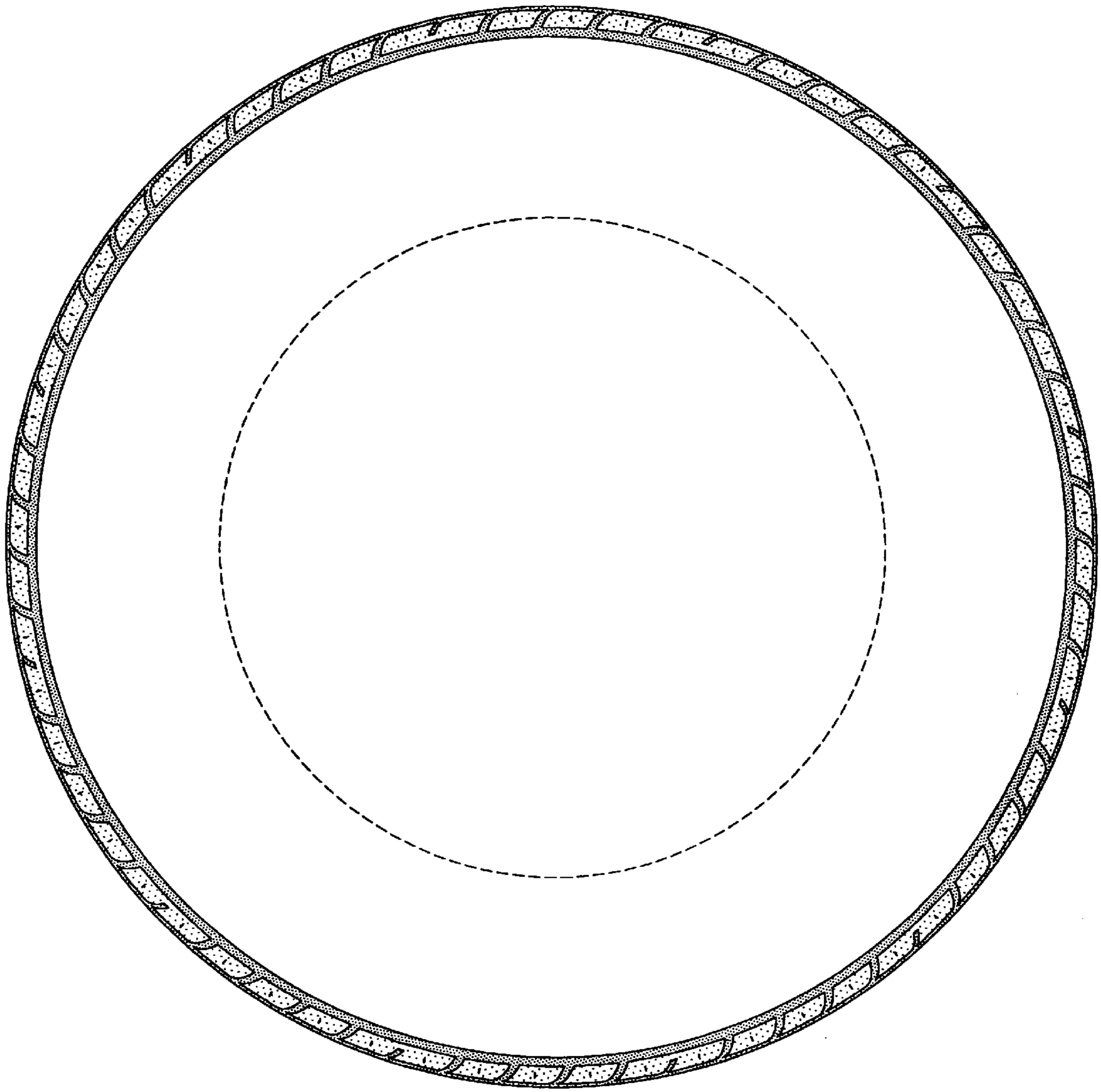


FIG-3

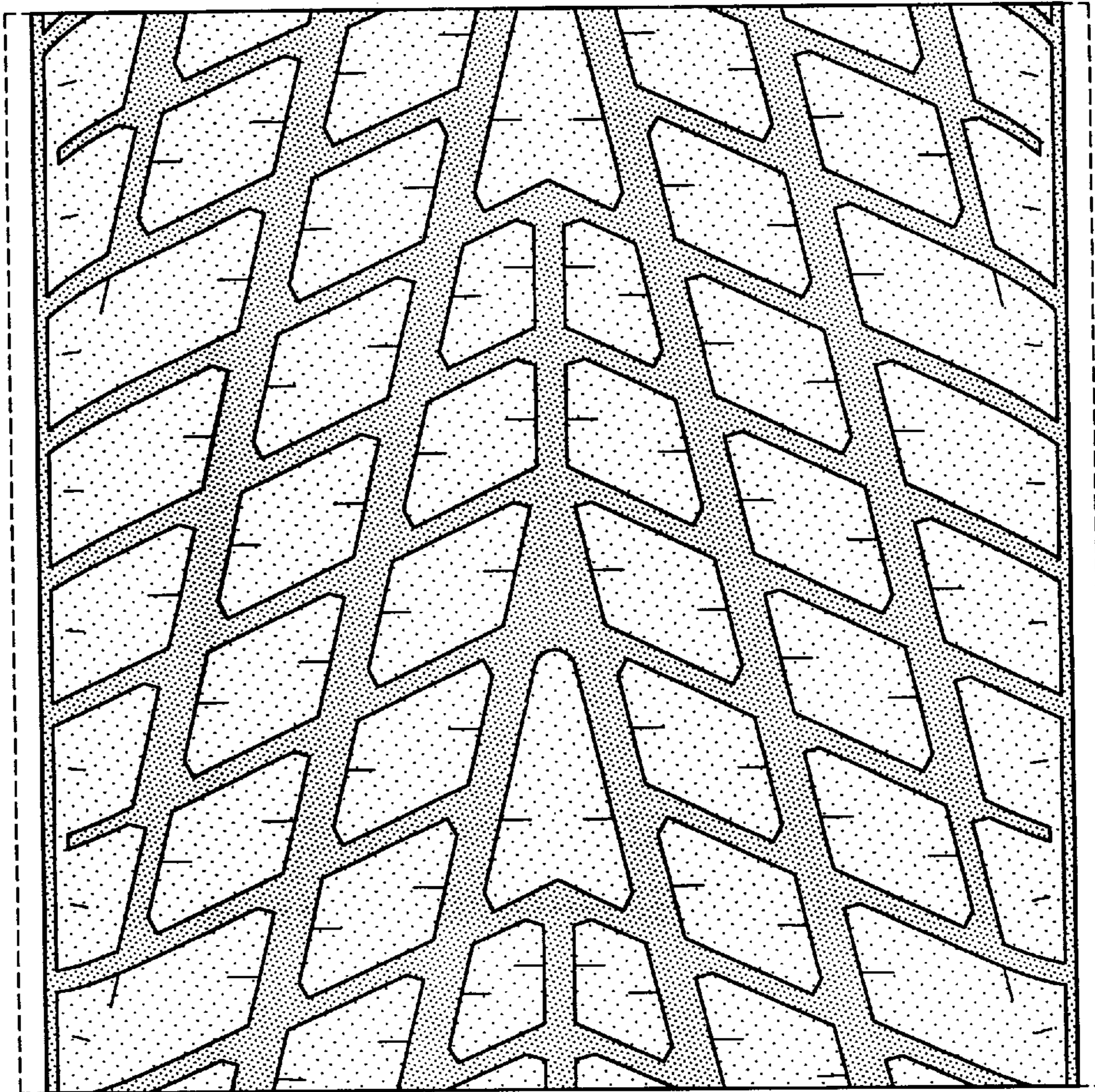


FIG-4

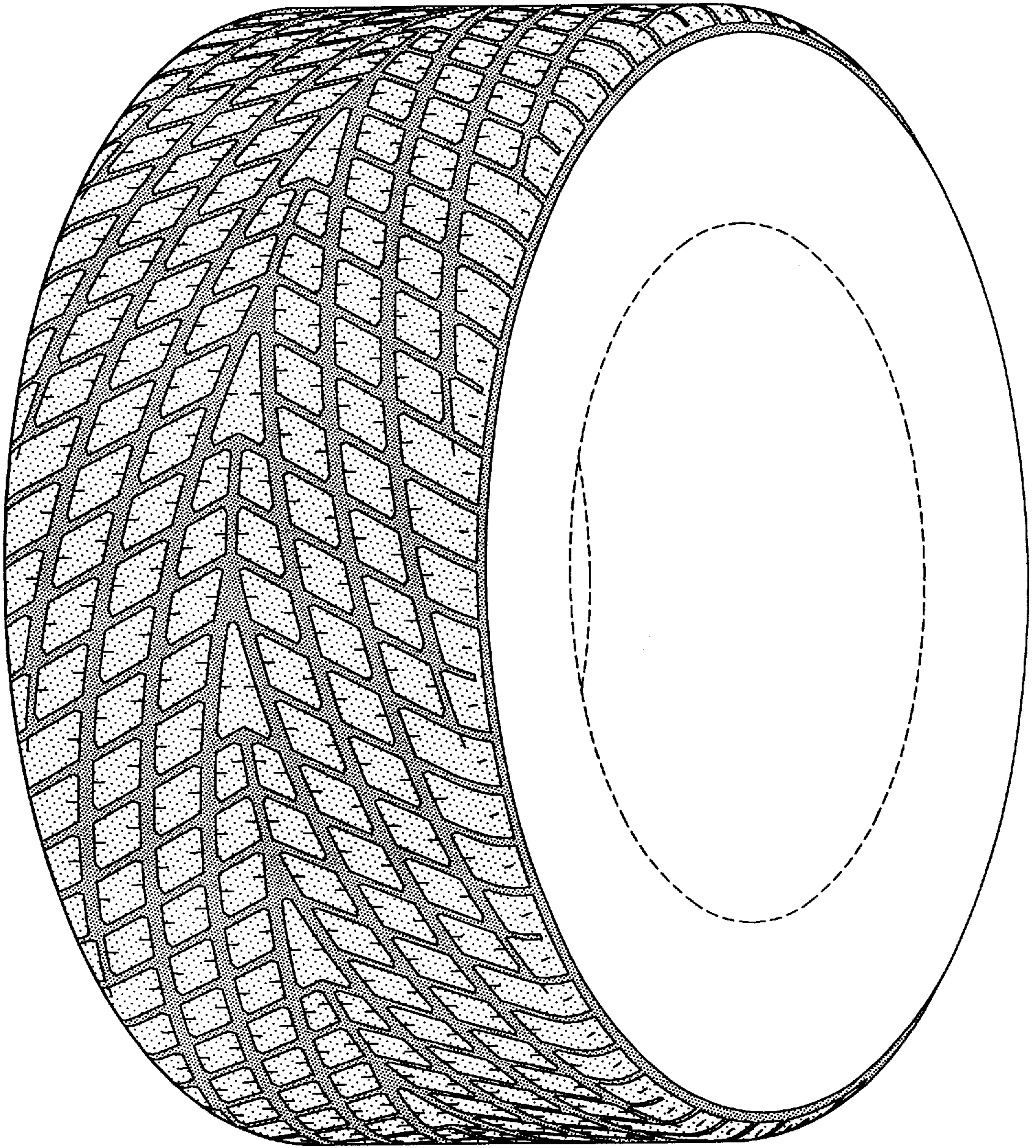


FIG-5

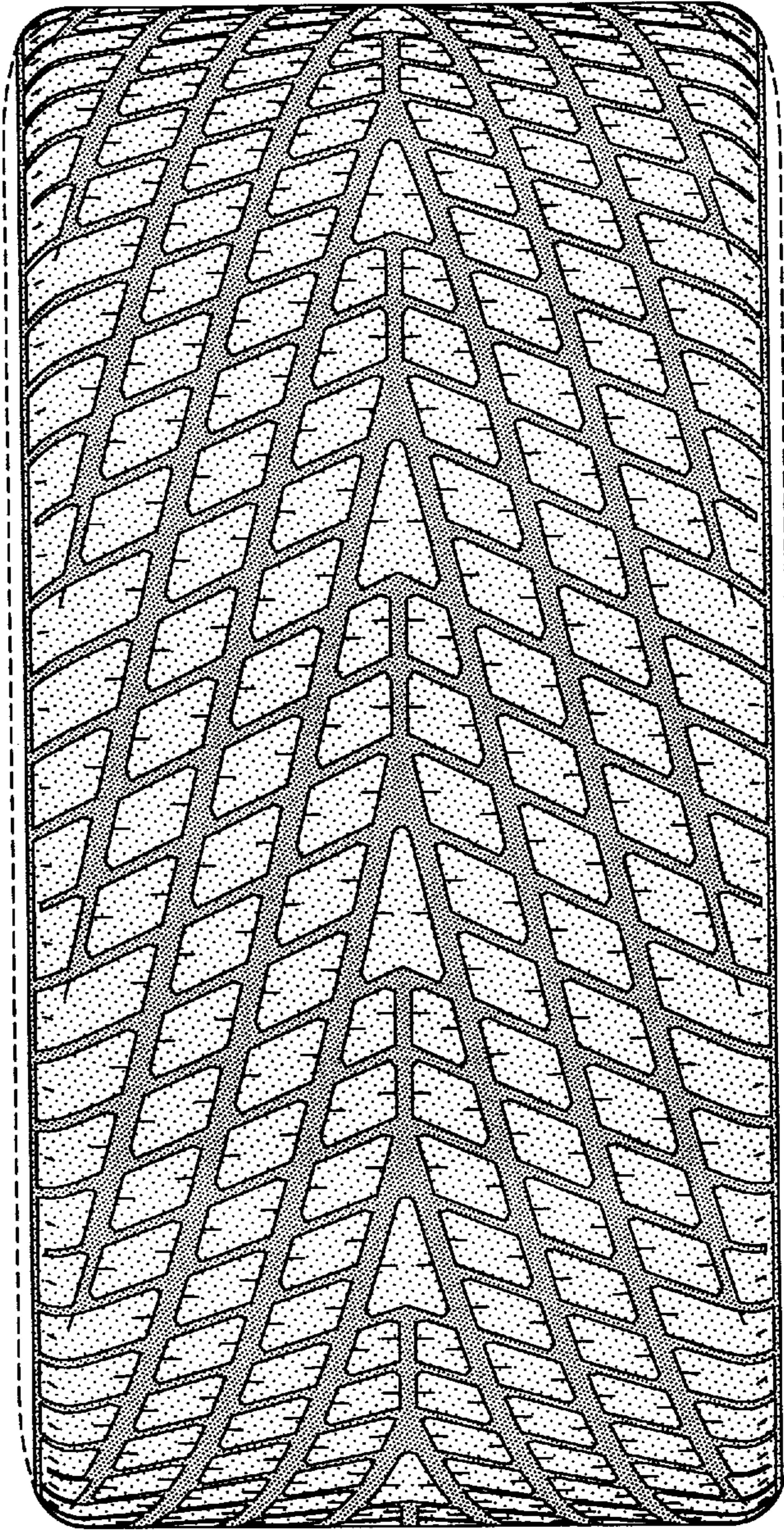


FIG-6

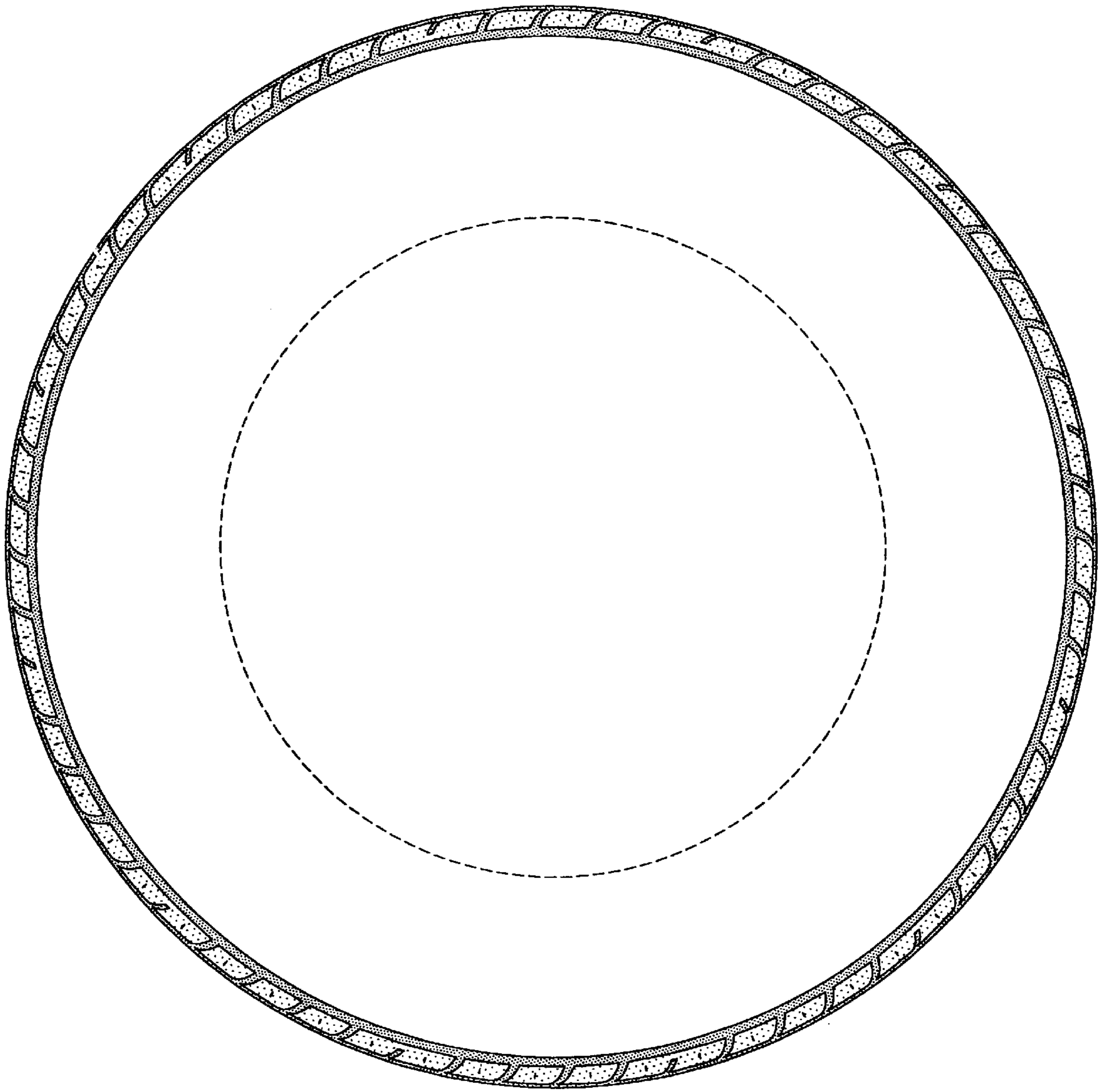


FIG-7

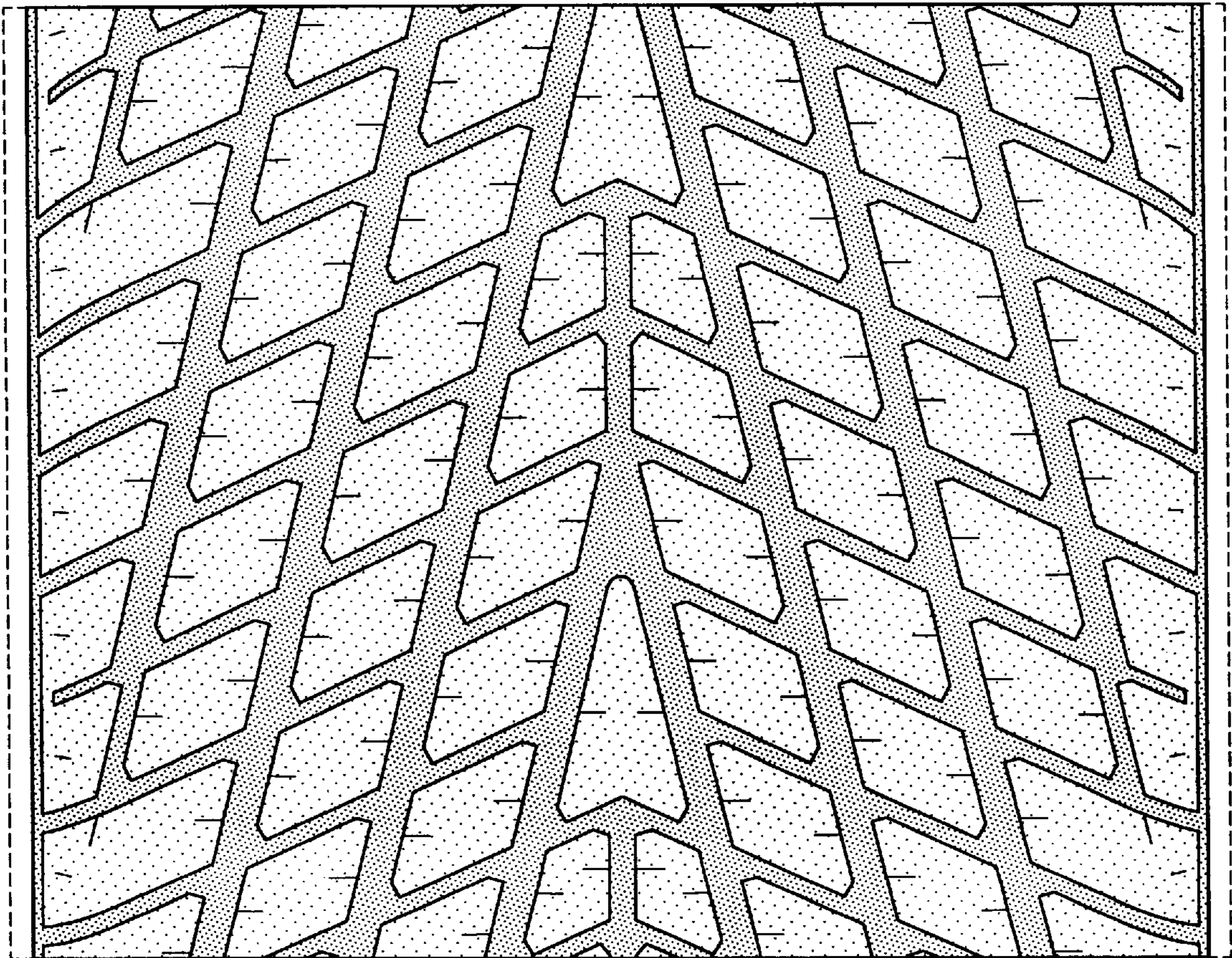


FIG-8