



US00D402245S

United States Patent [19]

Bonko et al.

[11] Patent Number: **Des. 402,245**

[45] Date of Patent: ****Dec. 8, 1998**

[54] TREAD FOR A TIRE

[75] Inventors: **Mark Leonard Bonko**, Uniontown;
Timothy Michael Rooney, Munroe Falls, both of Ohio

[73] Assignee: **The Goodyear Tire & Rubber Company**, Akron, Ohio

[**] Term: **14 Years**

[21] Appl. No.: **76,758**

[22] Filed: **Sep. 22, 1997**

[51] LOC (6) Cl. **12-15**

[52] U.S. Cl. **D12/149**

[58] Field of Search D12/136, 138,
D12/140-143, 146-152; 152/209 R, 209 A,
209 D

[56] References Cited

U.S. PATENT DOCUMENTS

104,503	12/1870	Partenheimer .	
D. 312,064	11/1990	Duncan	12/151
4,446,902	5/1984	Madec et al.	152/209
4,481,993	11/1984	Ohnishi	152/209
5,002,110	3/1991	Tsurunaga et al.	152/209
5,078,190	1/1992	Wissbrock et al.	152/209

OTHER PUBLICATIONS

Alliance 308 Super Traction Tire, 1996 Tread Design Guide, p. 167, Feb. 1996.
Armstrong/Titan Loader-Dozer Tire, 1996 Tread Design Guide, p. 167, Feb. 1996.

DICO HD2000 Tire, 1996 Tread Design Guide, p. 170, Feb. 1996.

General LD Loader Grader Tire, 1996 Tread Design Guide, p. 174, Feb. 1996.

Primary Examiner—Robert M. Spear
Attorney, Agent, or Firm—David L King

[57] CLAIM

The ornamental design for a tread for a tire, as shown and described.

DESCRIPTION

FIG. 1 is a perspective view showing the tire tread, it being understood that the tread pattern repeats uniformly throughout the circumference of the tread;

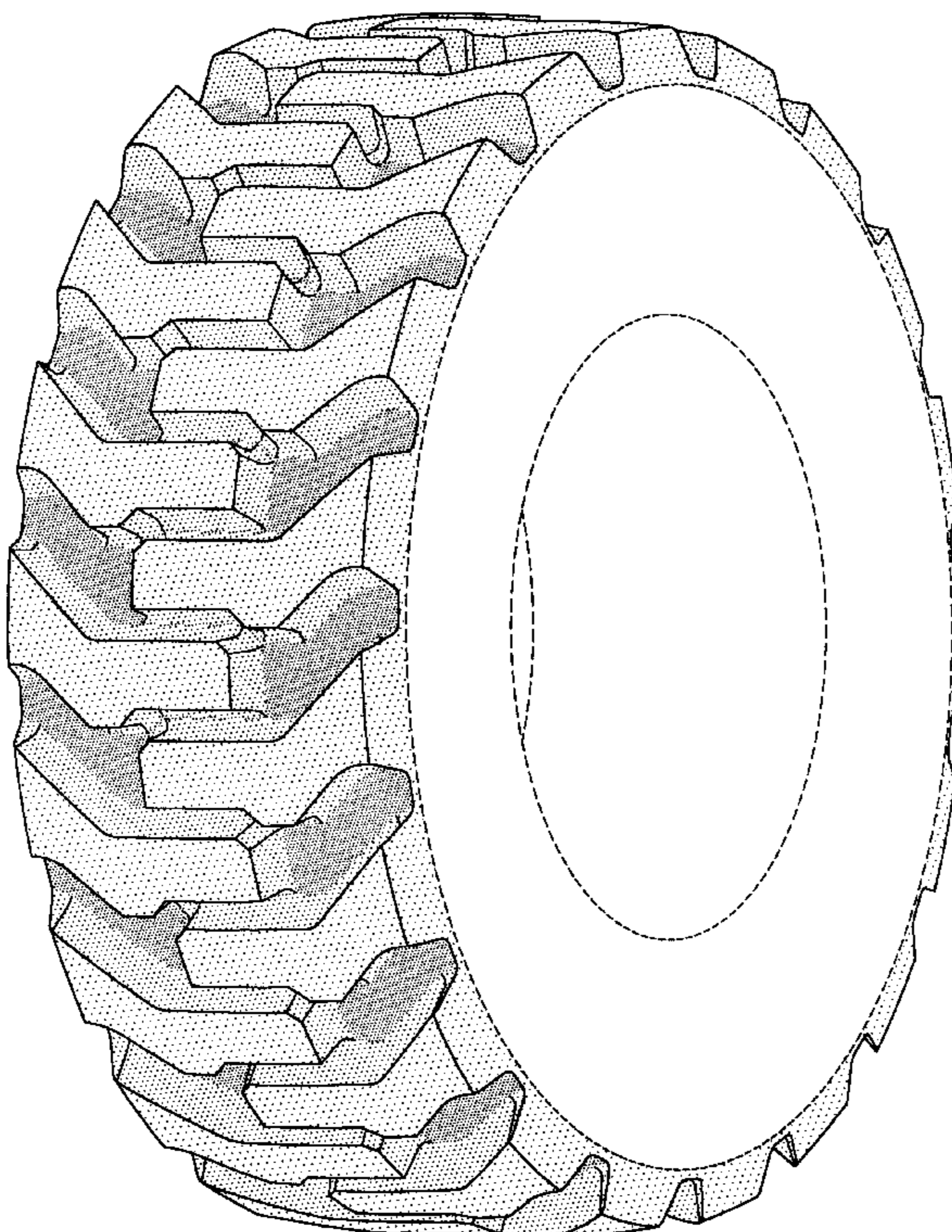
FIG. 2 is a front elevational view thereof;

FIG. 3 is a side elevational view thereof, the opposite side elevational view being a mirror image thereof; and,

FIG. 4 is an enlarged fragmentary front perspective view of a portion of the tire tread as illustrated in FIG. 1.

The broken lines depicting the tire inner bead and sidewall and the peripheral boundary between the tire tread and the sidewall are for illustrative purposes only and form no part of the claimed design.

1 Claim, 4 Drawing Sheets



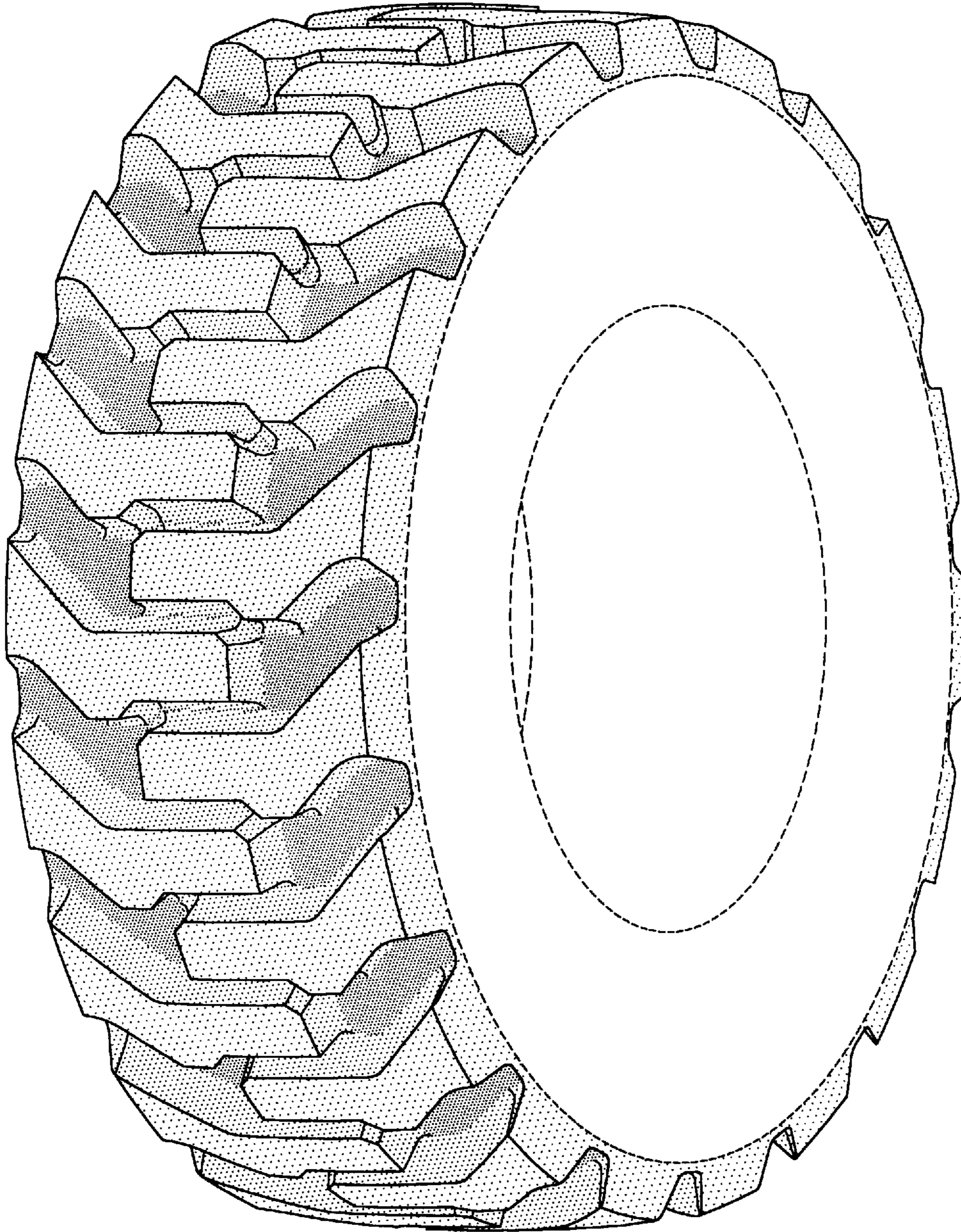


FIG-1

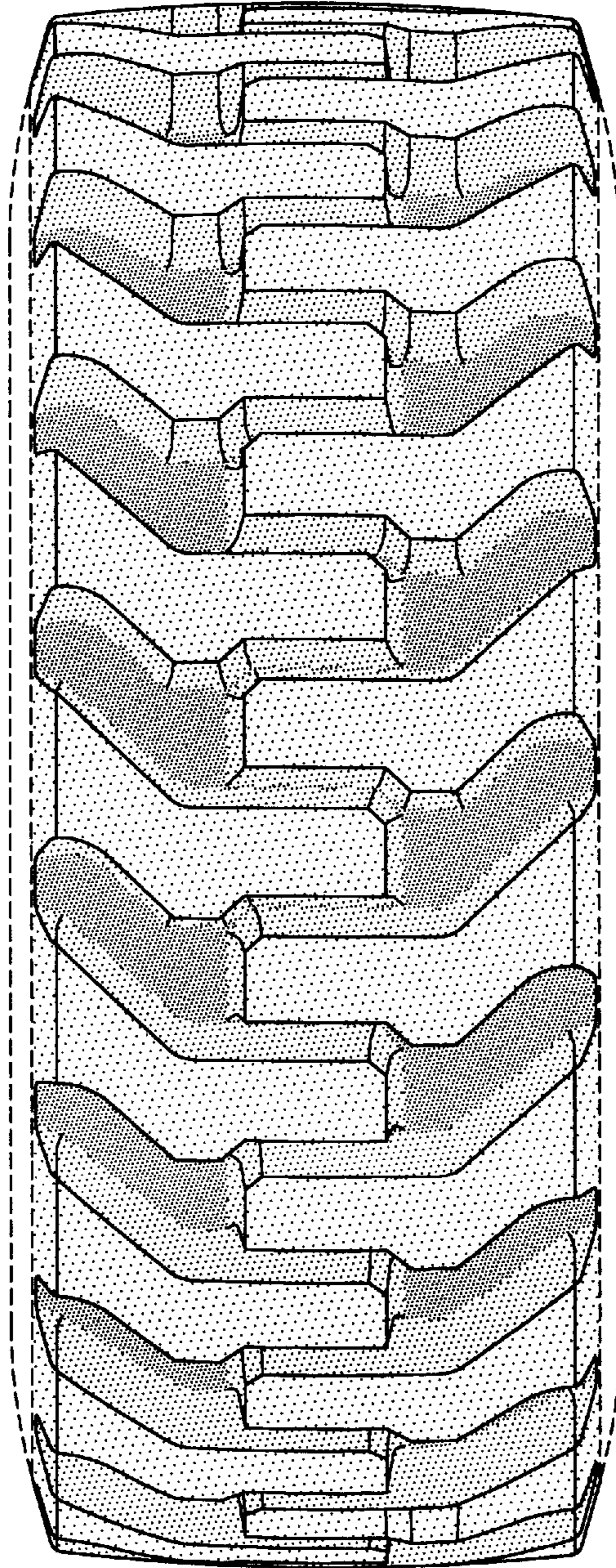


FIG-2

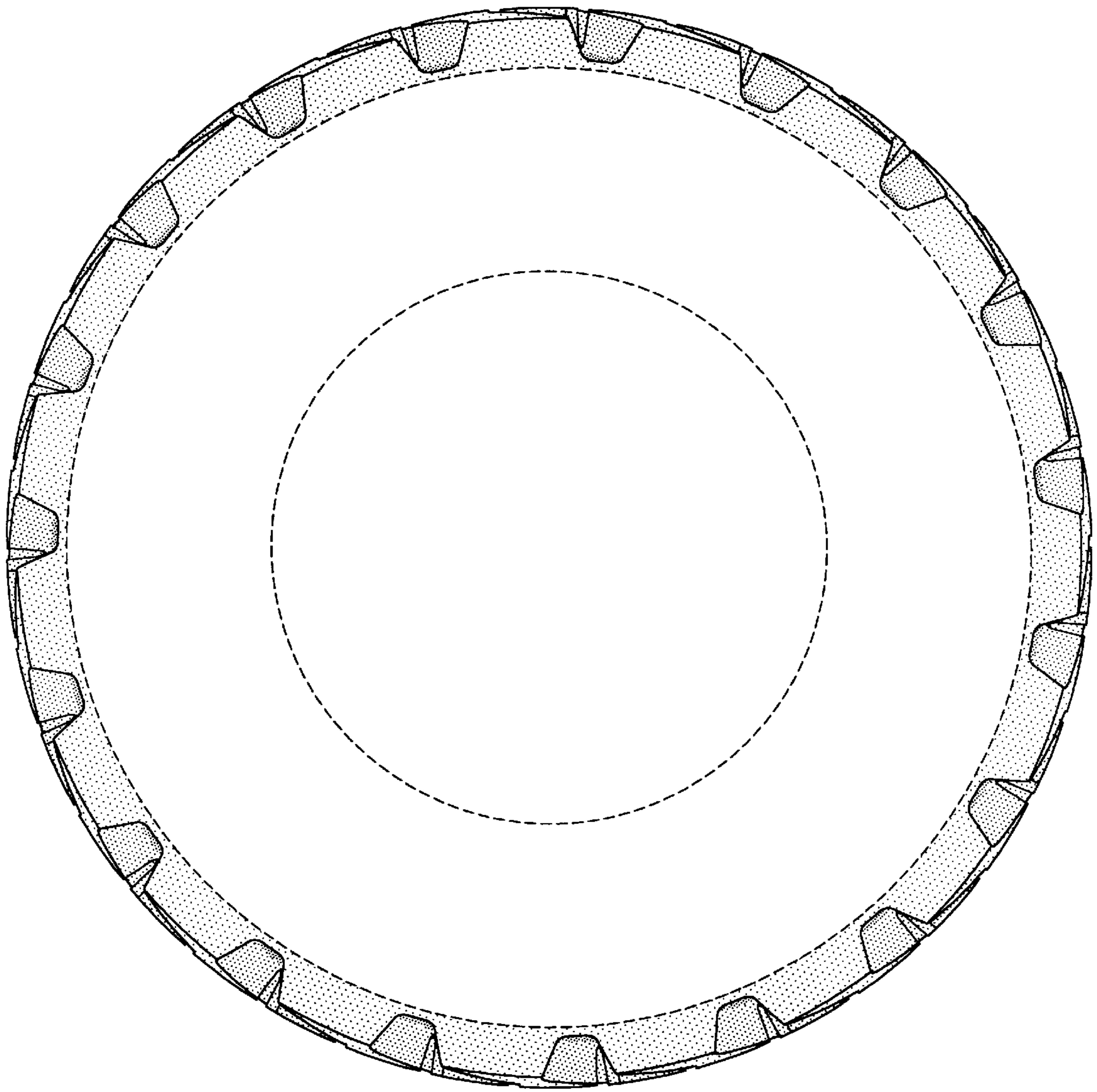


FIG-3

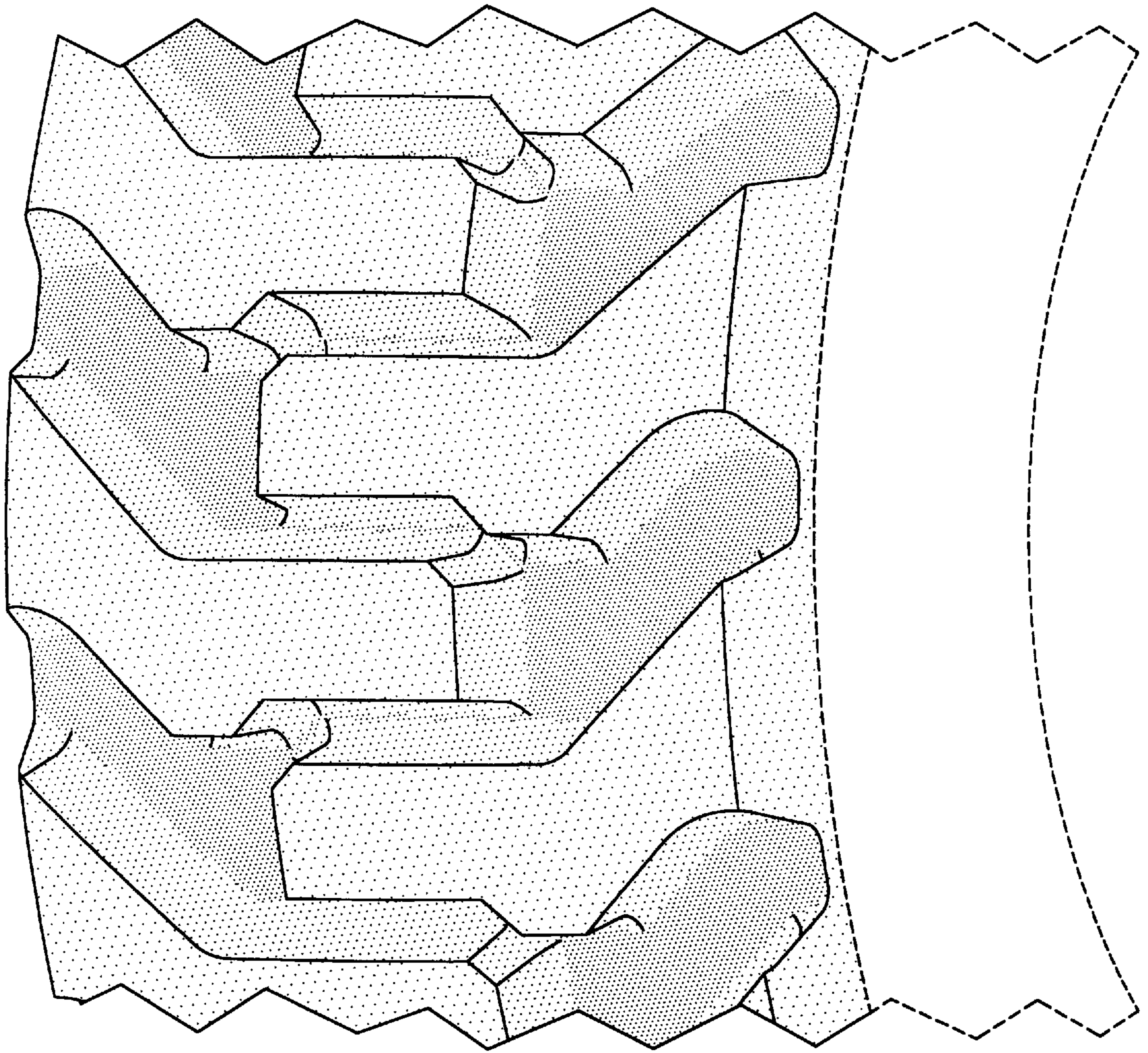


FIG-4