



US00D402233S

United States Patent [19]
Warlick

[11] **Patent Number: Des. 402,233**
[45] **Date of Patent: **Dec. 8, 1998**

[54] **THREE POINT UTILITY TRAILER**

OTHER PUBLICATIONS

[76] Inventor: **William M. Warlick**, 4623 Byerle Cir.,
Tampa, Fla. 33634

Sears Automotive Catalog, 1974, p. 96, trailer item No. 7 at
bottom left of page.

[**] Term: **14 Years**

Primary Examiner—Holly Baynham

[21] Appl. No.: **30,216**

[57] **CLAIM**

[22] Filed: **Oct. 24, 1994**

The ornamental design for a three point utility trailer, as
shown.

[51] **LOC (6) Cl.** **12-10**

DESCRIPTION

[52] **U.S. Cl.** **D12/101**

[58] **Field of Search** D12/101, 105,
D12/106; D34/12, 18; 280/400, 415.1,
460.1, 478.1; 296/168, 157; D15/27

FIG. 1 is a right perspective view of a three point hitch off
road trailer showing my new design;

FIG. 2 is a top plan view thereof;

FIG. 3 is a elevation view of one side, the opposite side
being a mirror image thereof;

FIG. 4 is a front elevational view thereof; and,

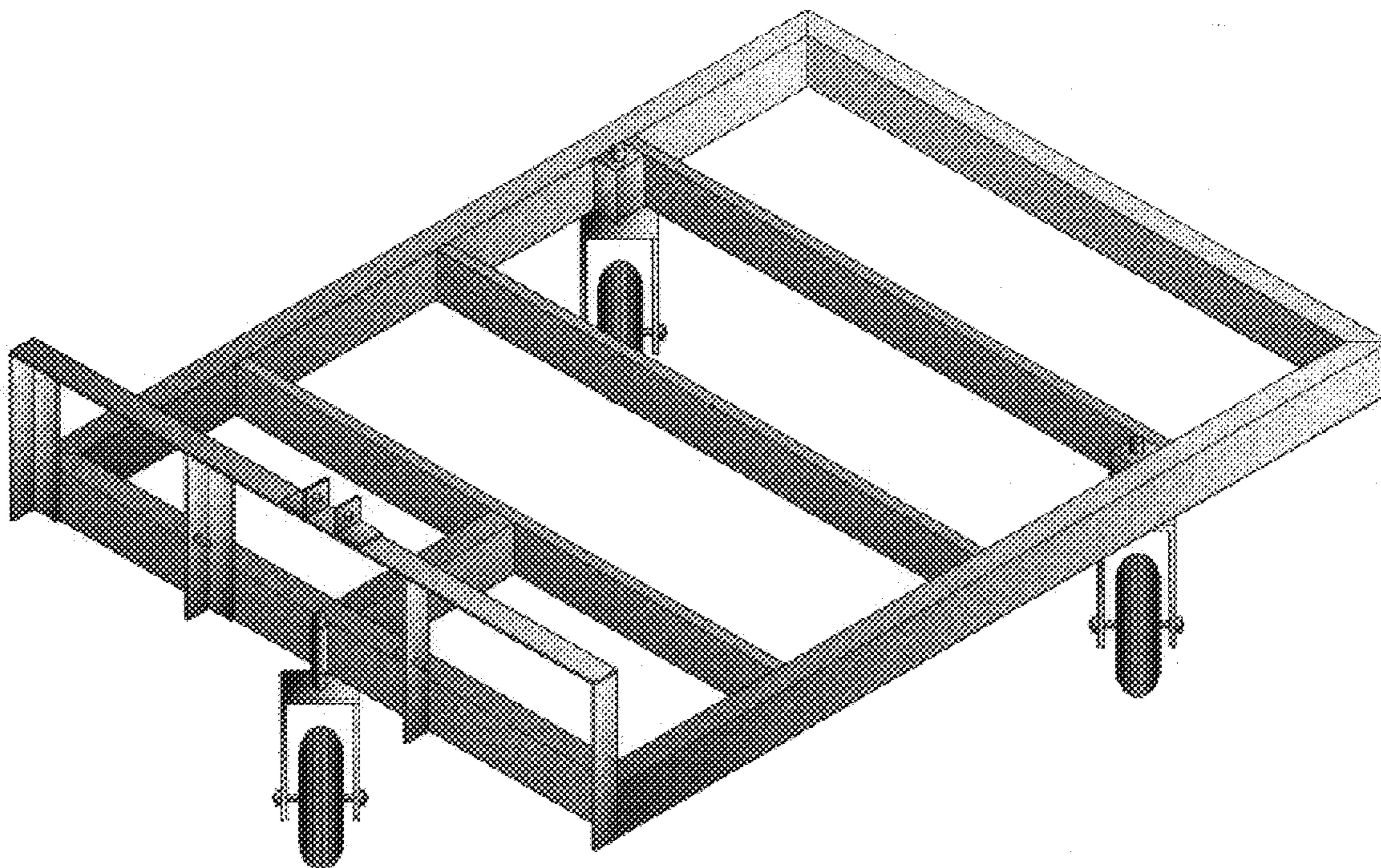
FIG. 5 is a rear elevational view thereof.

[56] **References Cited**

U.S. PATENT DOCUMENTS

- D. 245,495 8/1977 Henderson D12/101
- D. 304,131 10/1989 Mehalick D34/12 X
- D. 331,207 11/1992 Phelps D12/101

1 Claim, 3 Drawing Sheets



(Isometric View)

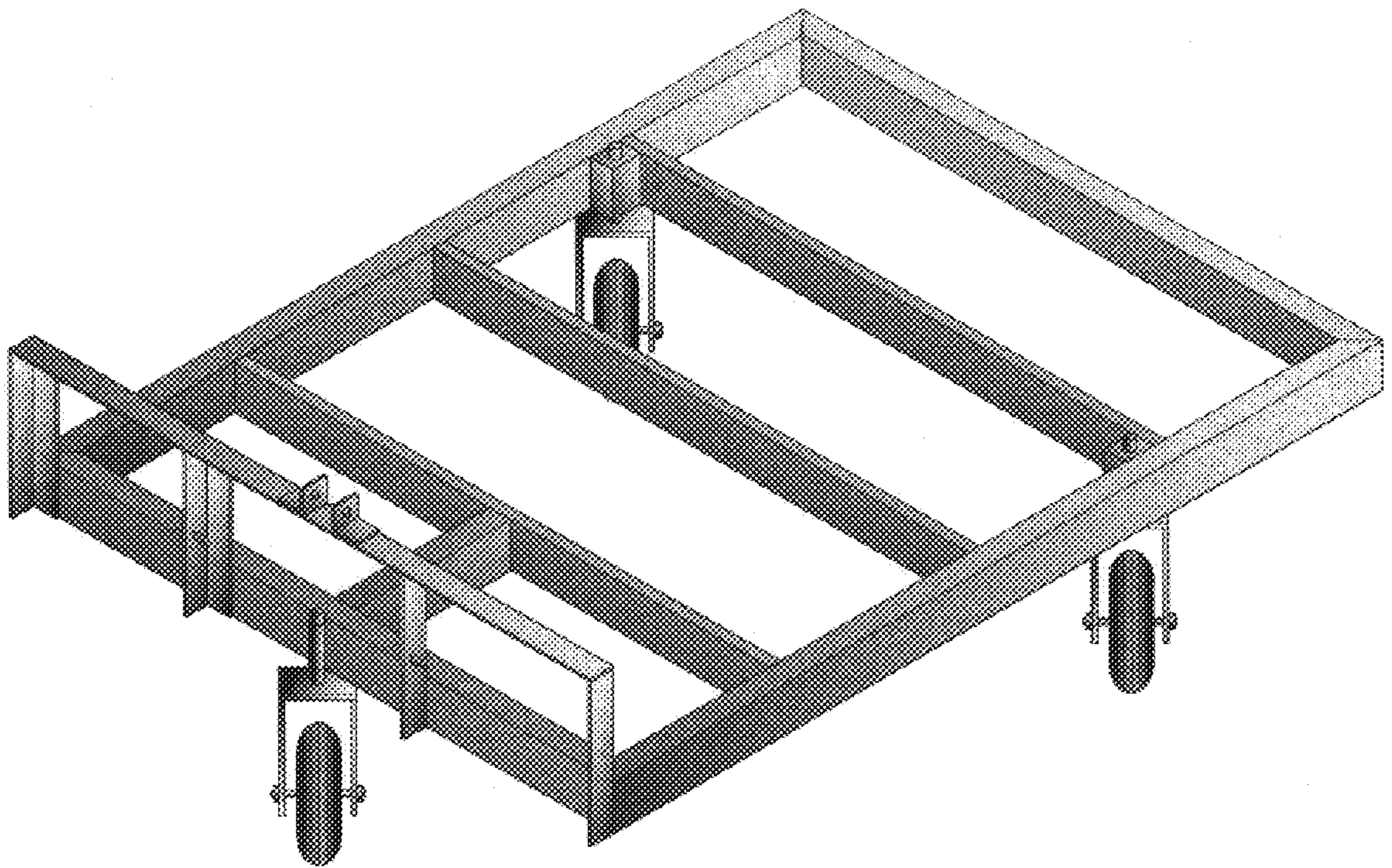


FIG - 1 (Isometric View)

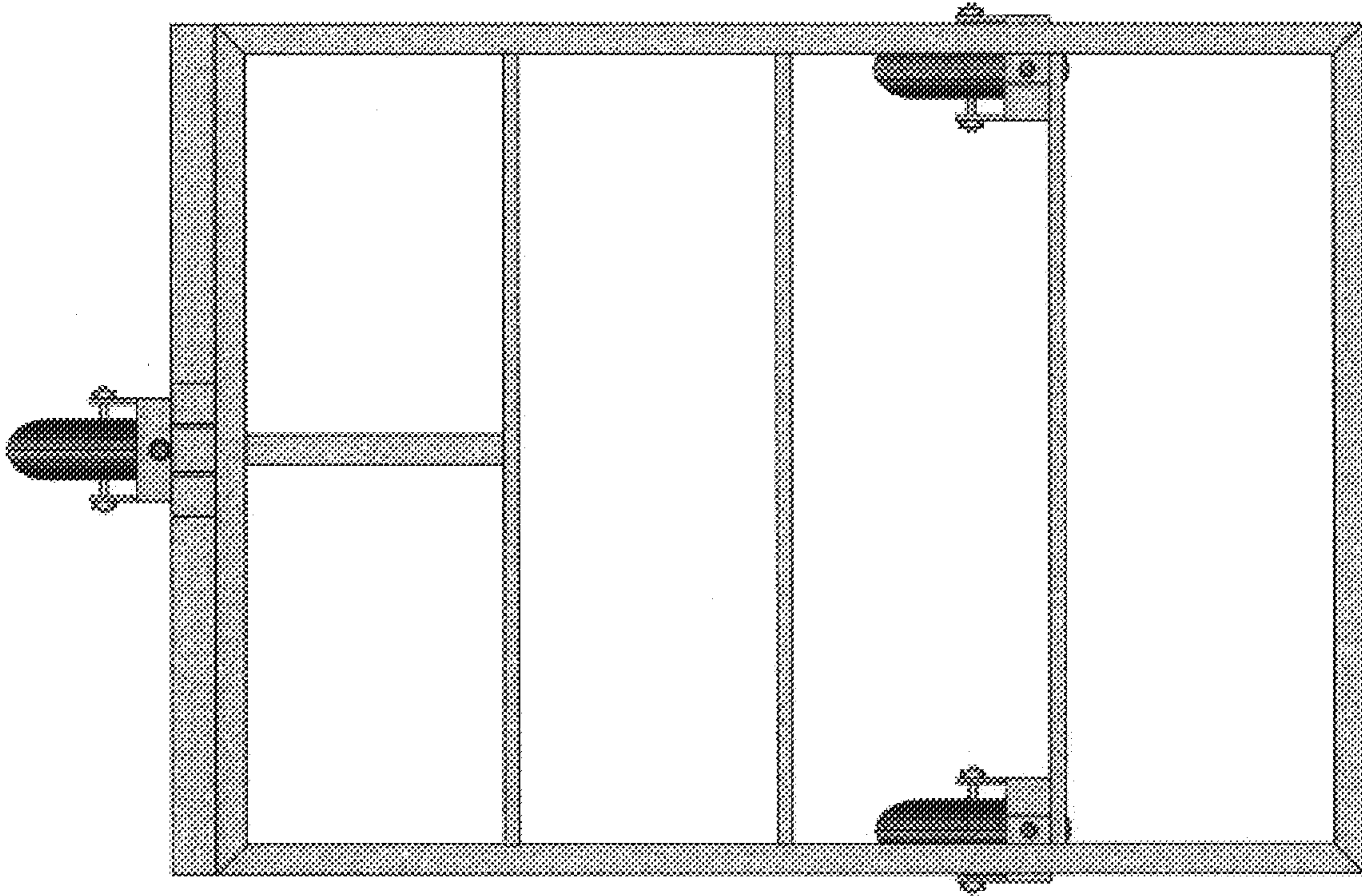


FIG - 2 (Plan View)

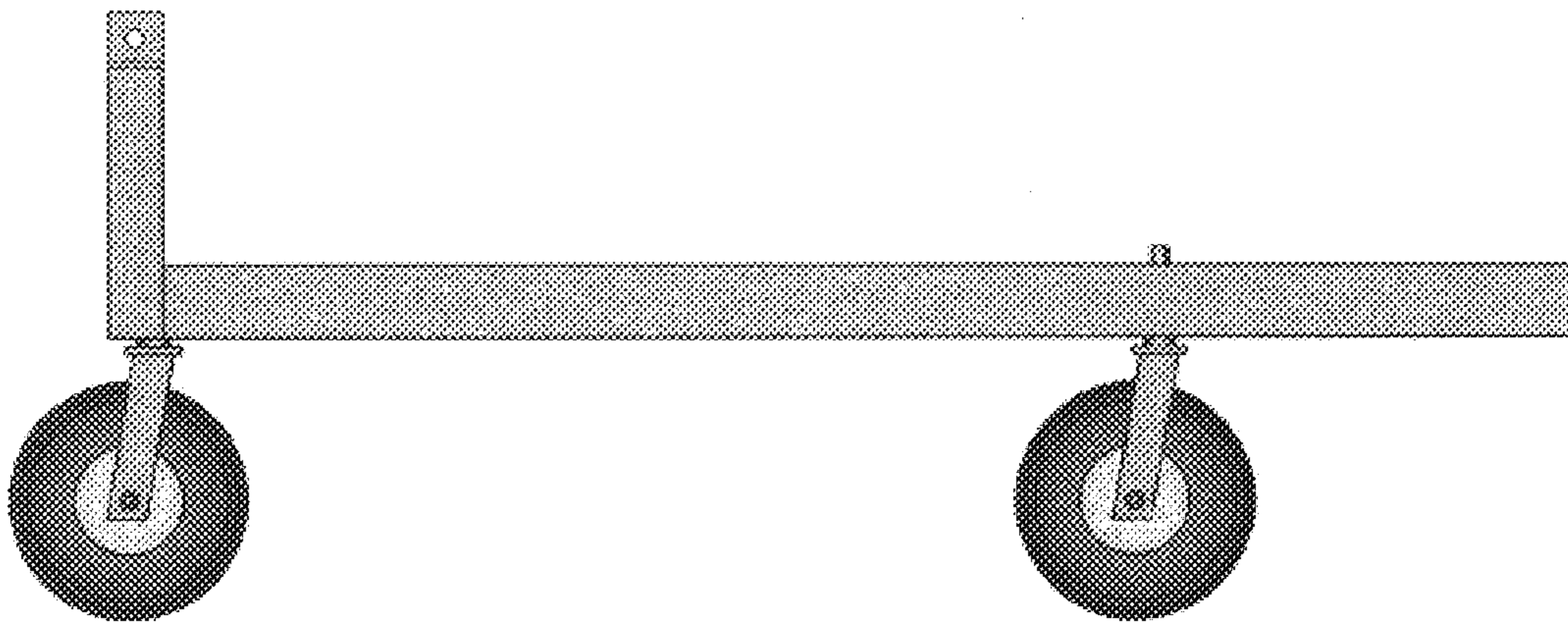


FIG - 3 (Right Side Elevation)

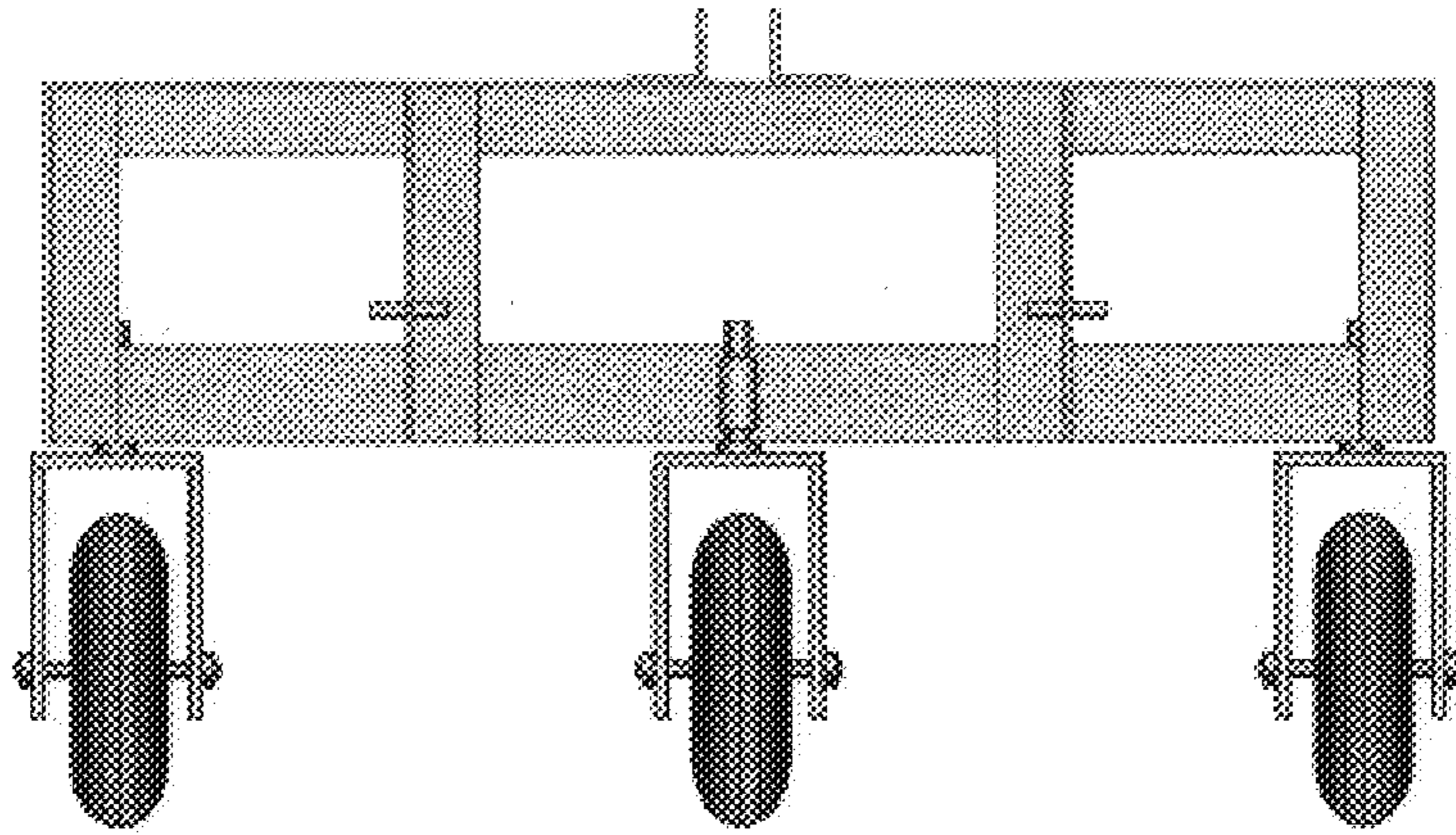


FIG - 4 (Front Elevation)

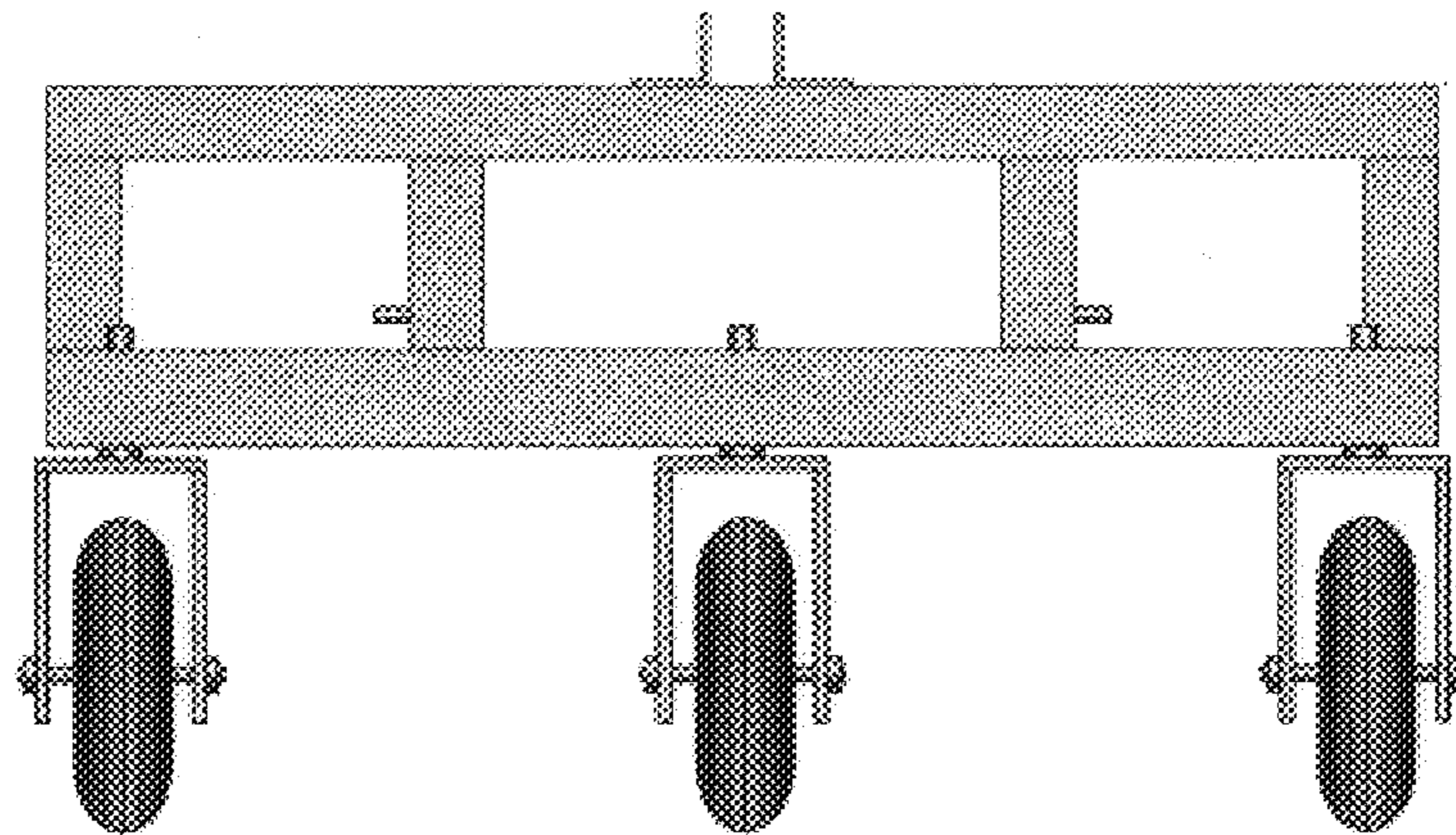


FIG - 5 (Rear Elevation)