



US00D402232S

United States Patent [19]

Hayauchi et al.

[11] **Patent Number:** **Des. 402,232**

[45] **Date of Patent:** ****Dec. 8, 1998**

[54] **AUTOMOBILE**

[75] Inventors: **Minoru Hayauchi; Toshihiko Shibuya**, both of Wako, Japan; **Ricky Hsu; Michael P. May**, both of Torrance, Calif.

[73] Assignee: **Honda Giken Kogyo Kabushiki Kaisha**, Tokyo, Japan

[**] Term: **14 Years**

[21] Appl. No.: **79,304**

[22] Filed: **Nov. 12, 1997**

[30] **Foreign Application Priority Data**

Jun. 9, 1997 [JP] Japan 9-57251

[51] **LOC (6) Cl.** **12-08**

[52] **U.S. Cl.** **D12/92**

[58] **Field of Search** D12/90-92; 296/185

[56] **References Cited**

U.S. PATENT DOCUMENTS

- D. 351,573 10/1994 Kong et al. D12/92
- D. 372,687 8/1996 Boyer D12/92

- D. 373,334 9/1996 Honda et al. D12/92
- D. 379,946 6/1997 Zanable et al. D12/92
- D. 379,947 6/1997 Ichinose et al. D12/97
- D. 391,523 3/1998 Sacco et al. D12/92

FOREIGN PATENT DOCUMENTS

- 844907 4/1992 Japan .
- 900190 3/1994 Japan .

Primary Examiner—Melody N. Brown
Attorney, Agent, or Firm—Nikaido, Marmelstein, Murray & Oram LLP

[57] **CLAIM**

The ornamental design for an automobile, as shown and described.

DESCRIPTION

FIG. 1 is a left-front perspective view of an automobile showing our new design; FIG. 2 is a left-rear perspective view thereof; FIG. 3 is a front view thereof; FIG. 4 is a rear view thereof; FIG. 5 is a left side view thereof; FIG. 6 is a right side view thereof; and, FIG. 7 is a top plan view thereof.

1 Claim, 6 Drawing Sheets

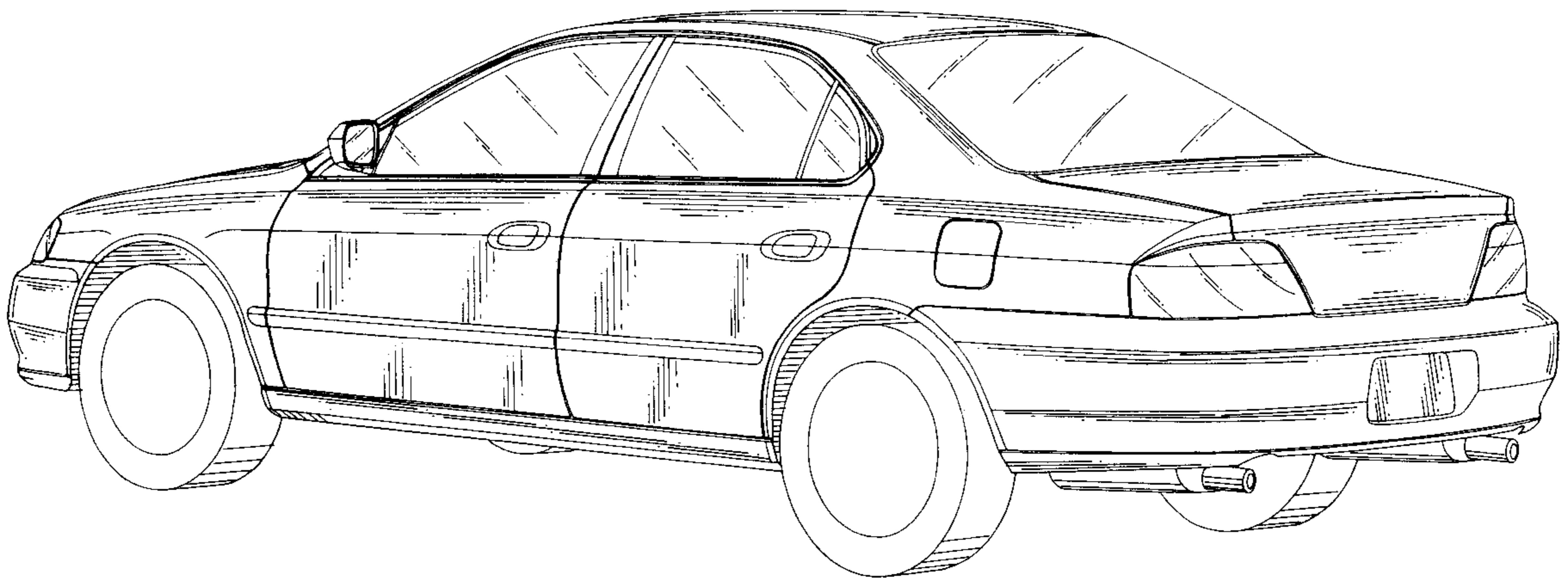
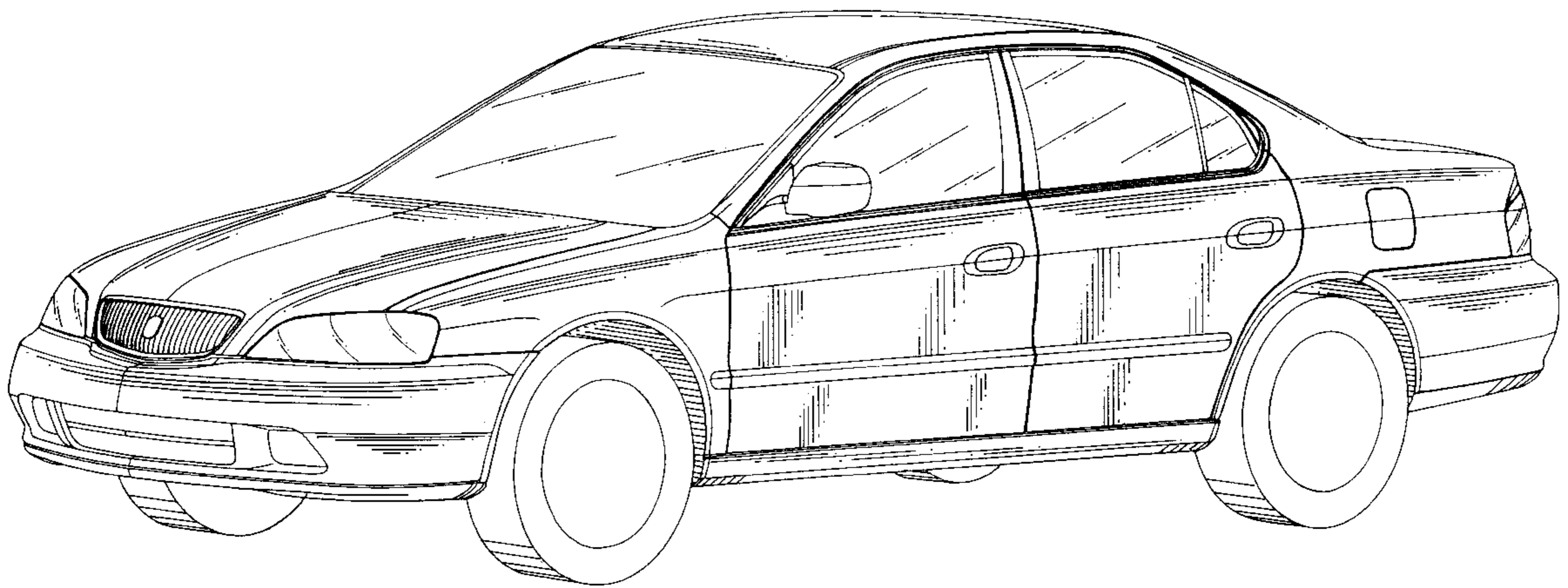


Fig. 1

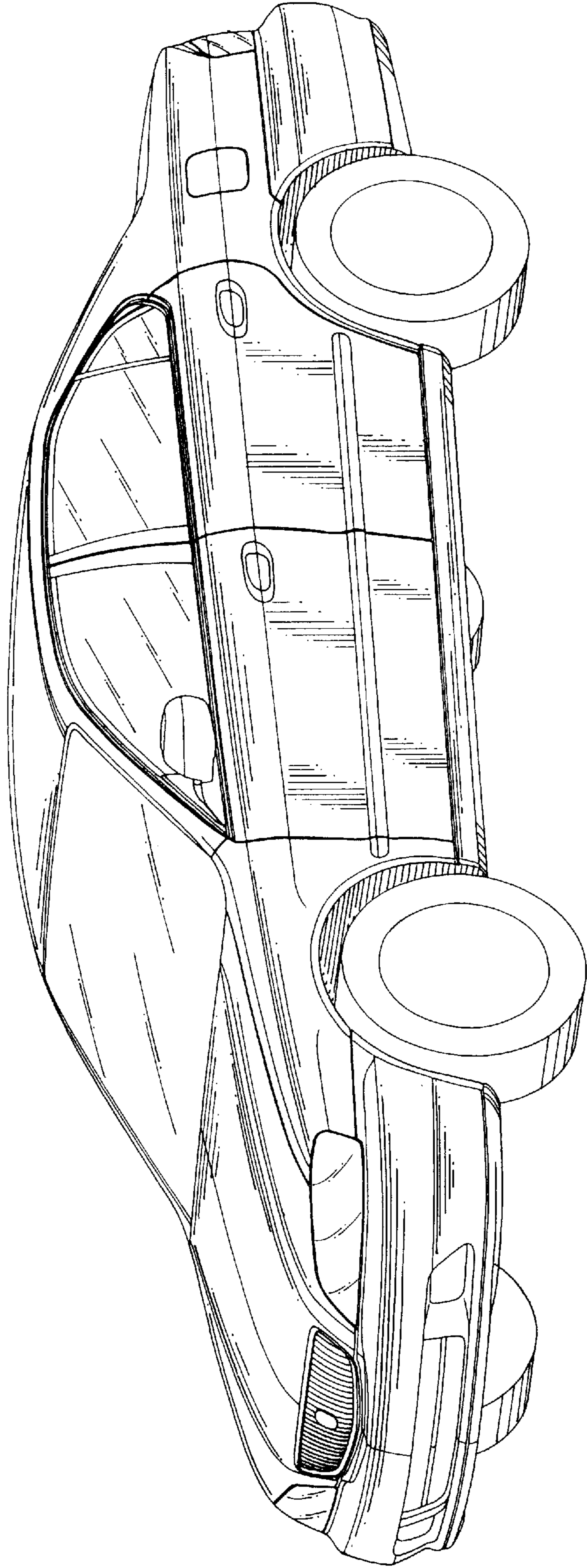


Fig. 2

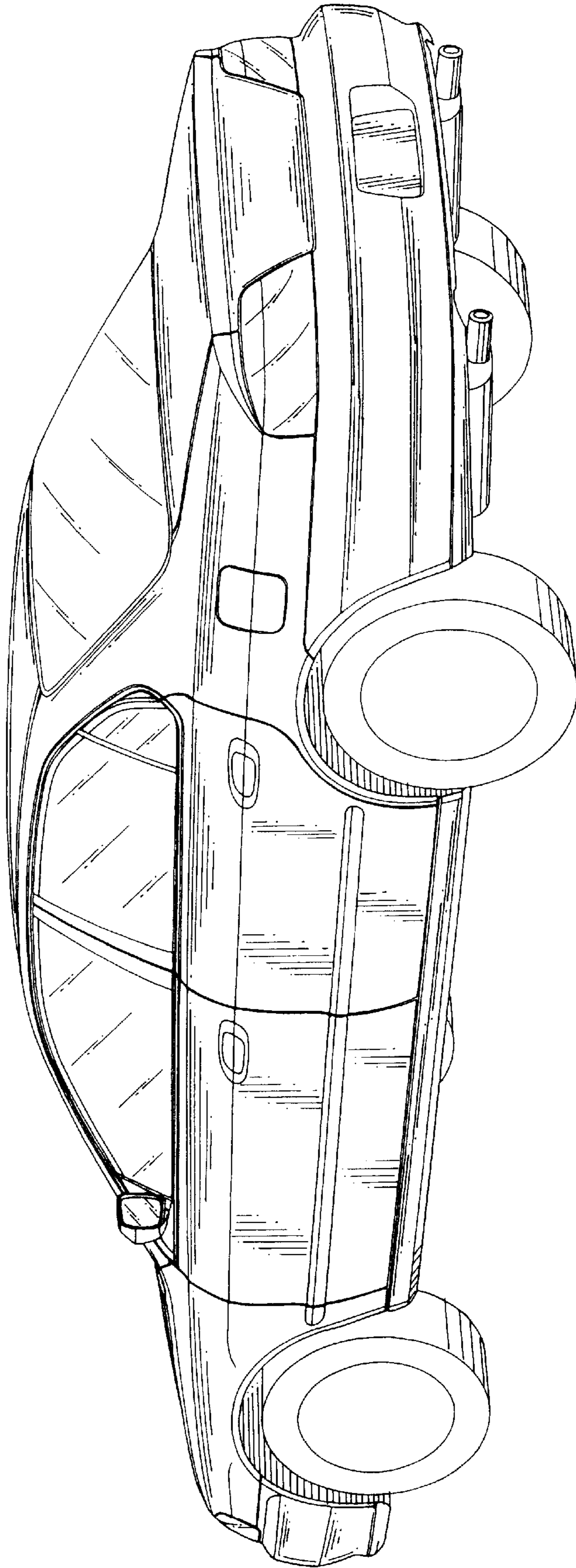


Fig. 4

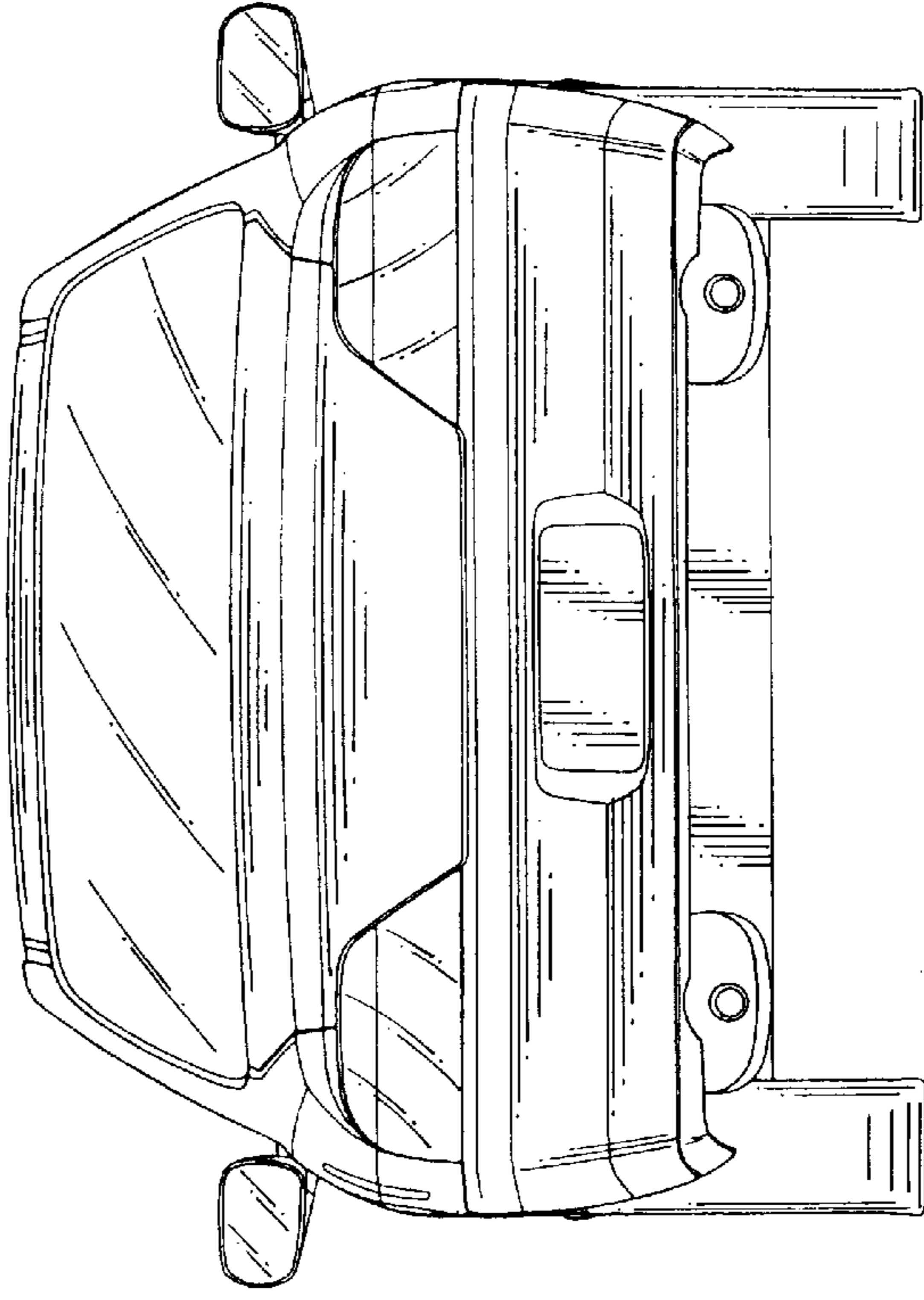


Fig. 3

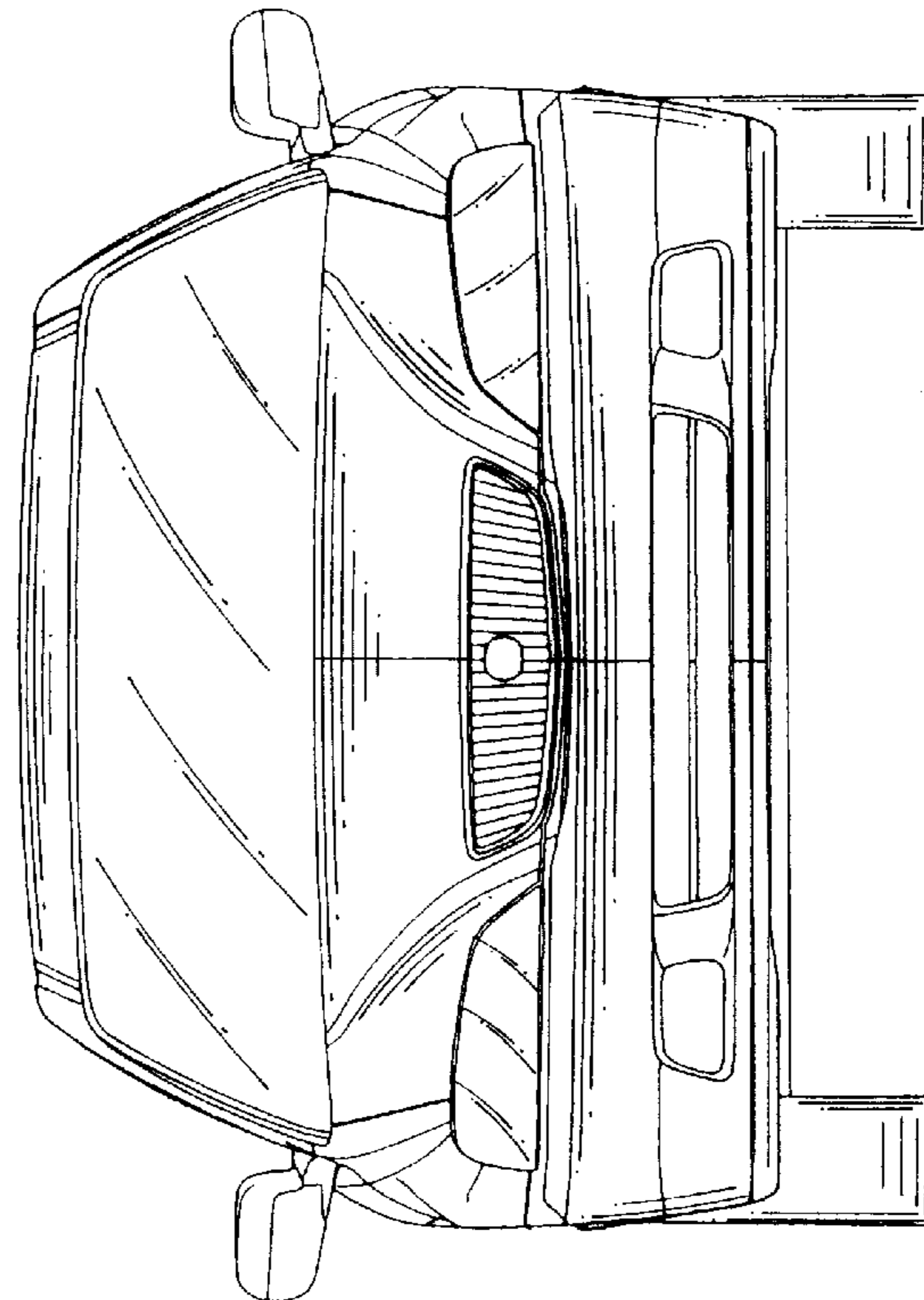


Fig. 5

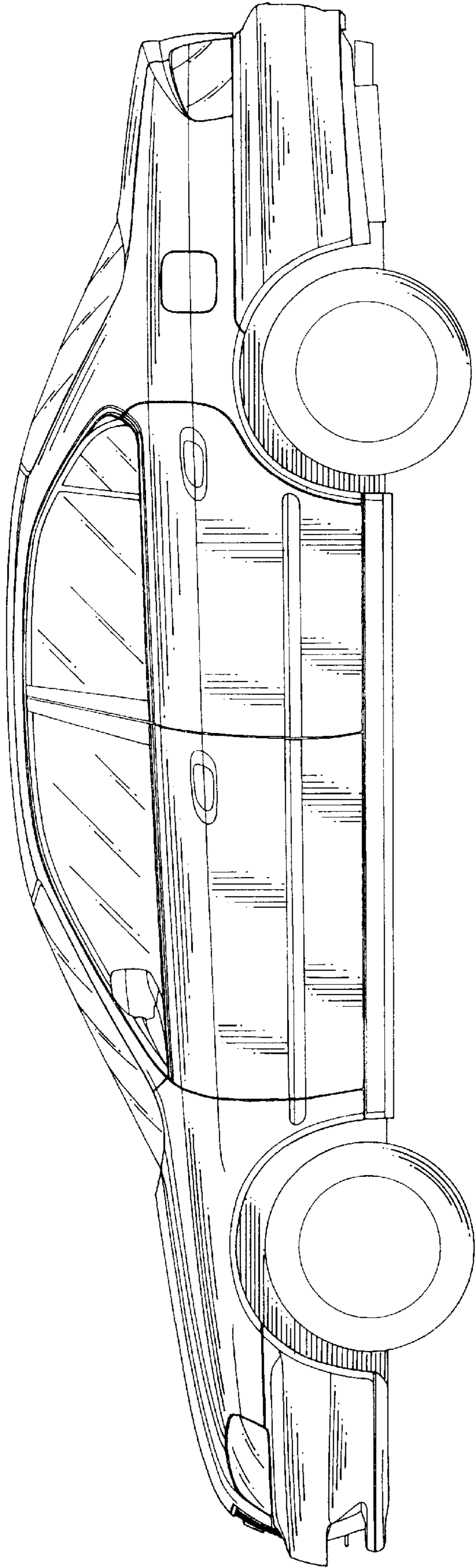


Fig. 6

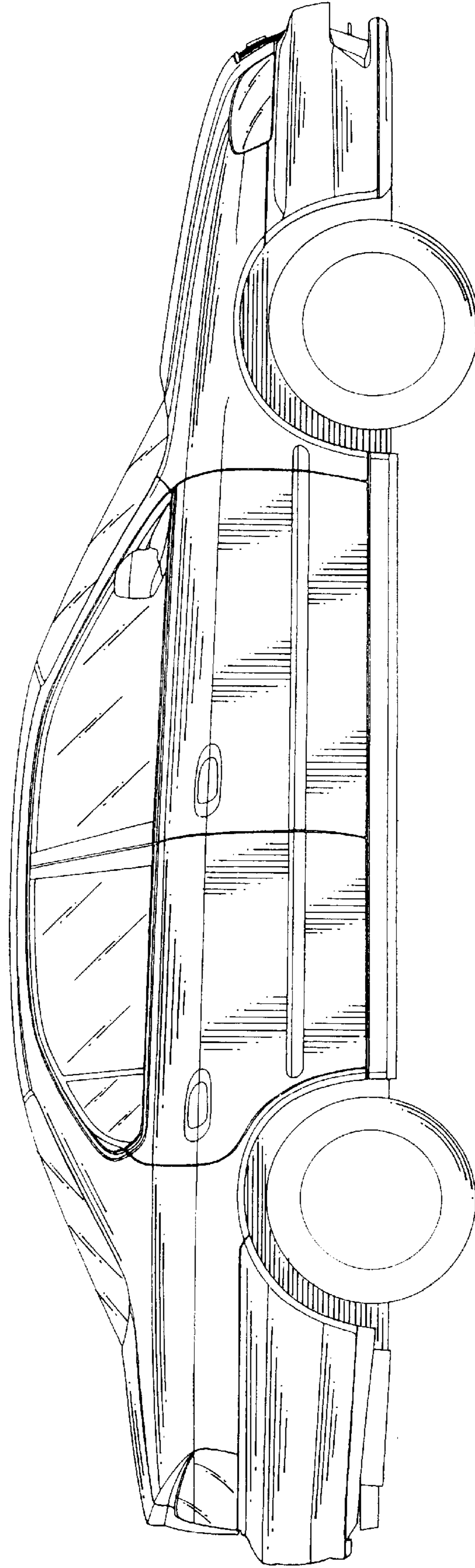


Fig. 7

