



US00D402230S

# United States Patent [19] Schorr

[11] **Patent Number:** **Des. 402,230**  
[45] **Date of Patent:** **\*\*Dec. 8, 1998**

[54] **SUPPORT FOR SUPPORTING PLANTS FOR AEROPONIC TREATMENT**

[75] Inventor: **Steven M. Schorr**, San Anselmo, Calif.

[73] Assignee: **Bioponic International**, San Rafael, Calif.

[\*\*] Term: **14 Years**

[21] Appl. No.: **77,768**

[22] Filed: **Oct. 9, 1997**

[51] **LOC (6) Cl.** ..... **11-02**

[52] **U.S. Cl.** ..... **D11/156; D15/10**

[58] **Field of Search** ..... **D8/1; D11/155, D11/156; D15/10; 47/59, 60, 62, 63**

[56] **References Cited**

**U.S. PATENT DOCUMENTS**

- D. 212,374 10/1968 Hundt ..... D11/156
- D. 242,267 11/1976 Feeney, Jr. .... D11/155
- D. 393,605 4/1998 Dallaire ..... D11/156

- 2,261,326 11/1941 Atkisson et al. .... D11/156
- 2,600,718 6/1952 Wilson ..... 47/63
- 4,248,013 2/1981 Allen ..... 47/59
- 4,419,842 12/1983 Paloian ..... 47/62
- 4,607,454 8/1986 Koike ..... 47/63
- 5,675,933 10/1997 Kawaguchi et al. .... 47/59

*Primary Examiner*—Sandra L. Morris  
*Attorney, Agent, or Firm*—Thomas R. Lampe

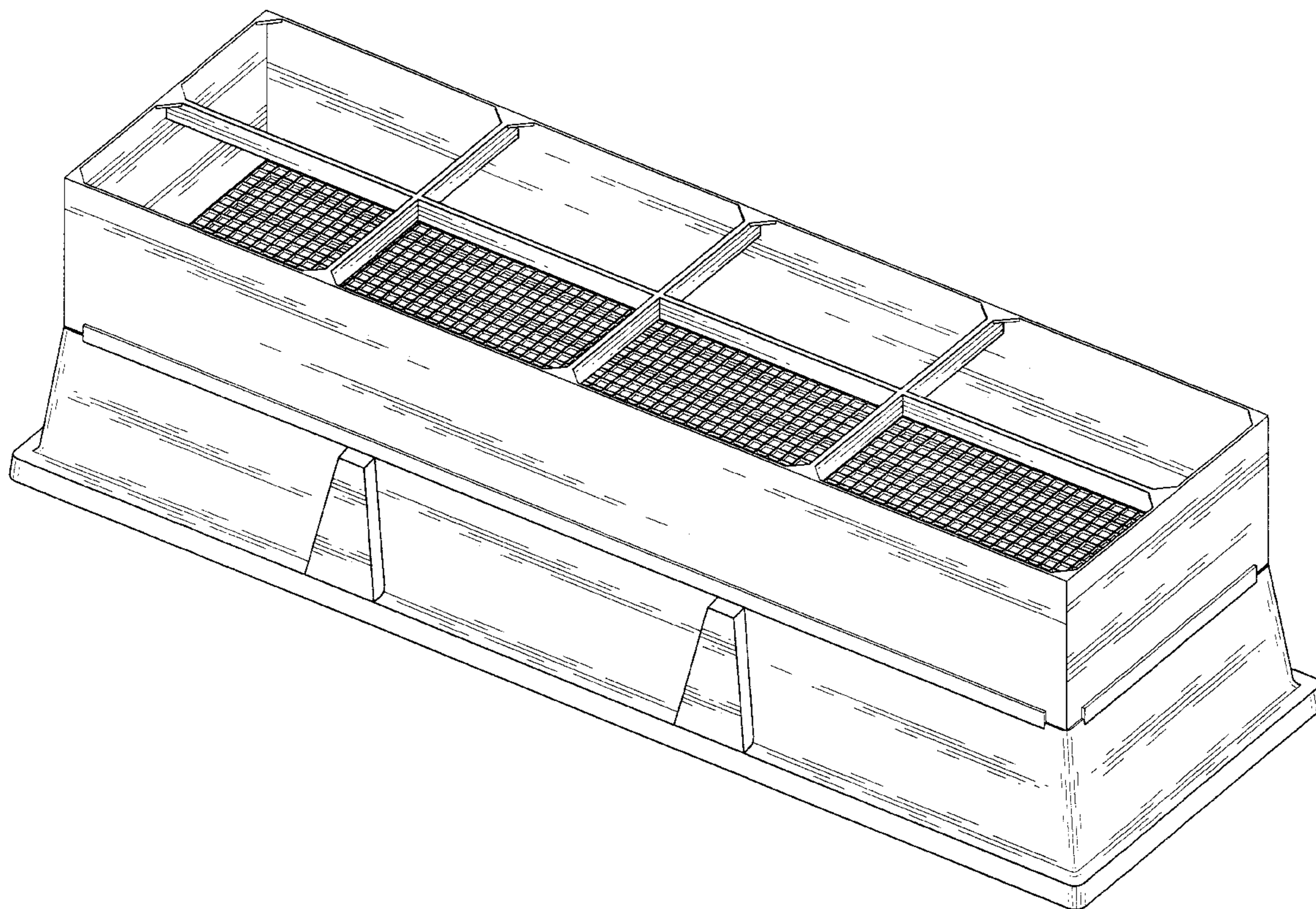
[57] **CLAIM**

The ornamental design for a support for supporting plants for aeroponic treatment, as shown and described.

**DESCRIPTION**

FIG. 1 is a perspective view of a support for supporting plants for aeroponic treatment showing my design; FIG. 2 is a top plan view thereof; FIG. 3 is a front elevation view thereof, the back elevation view being a mirror image; FIG. 4 is a bottom plan view thereof; and, FIG. 5 is a right side elevation view thereof, the left side elevation view being a mirror image.

**1 Claim, 3 Drawing Sheets**



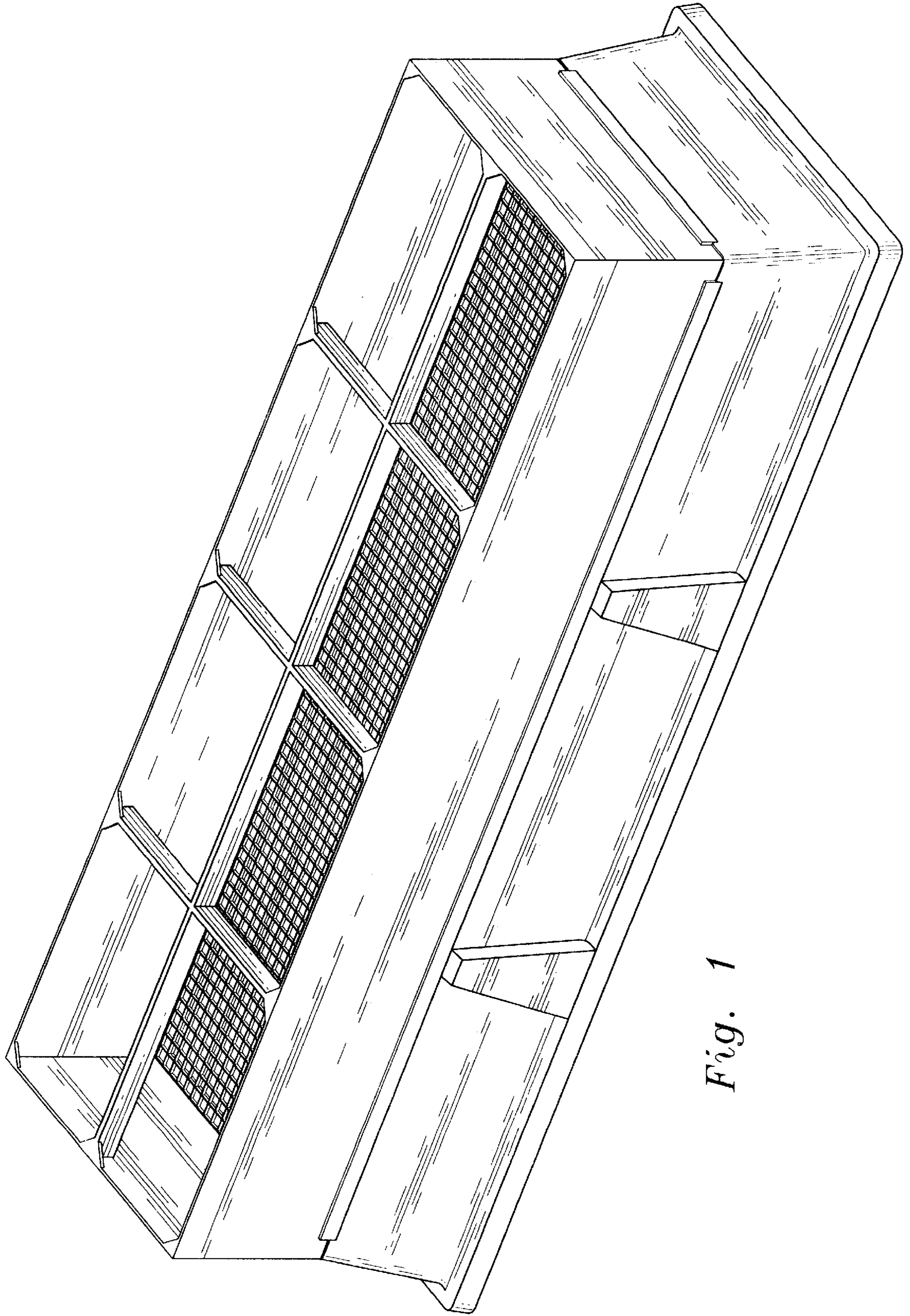
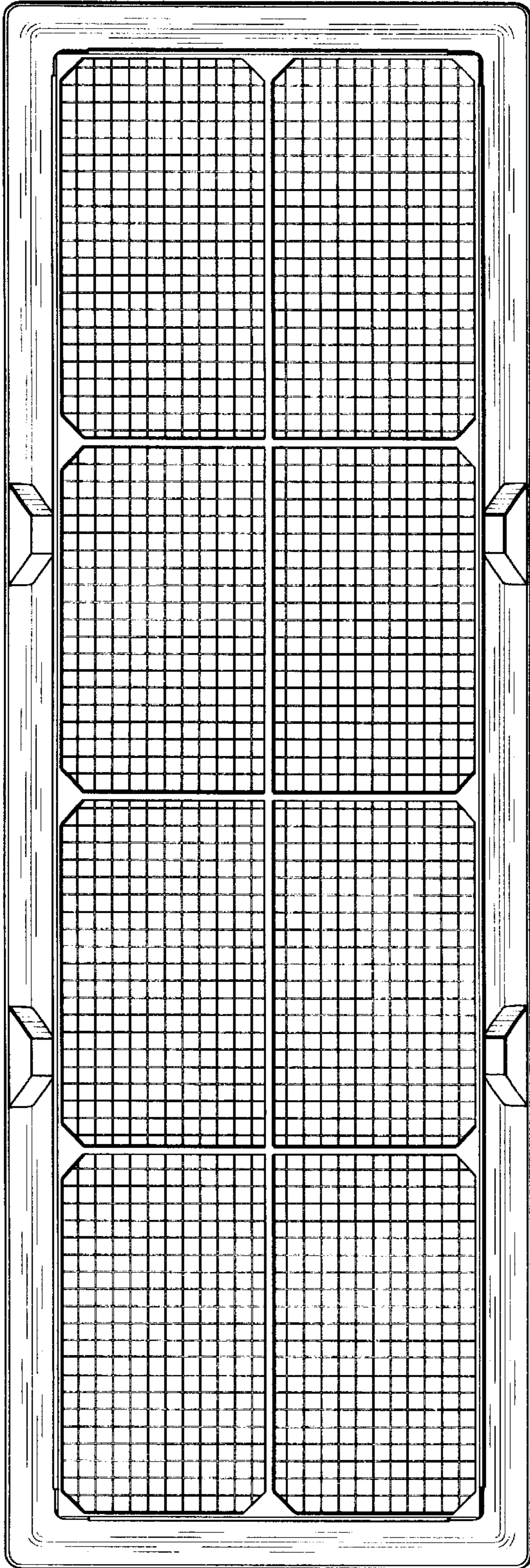
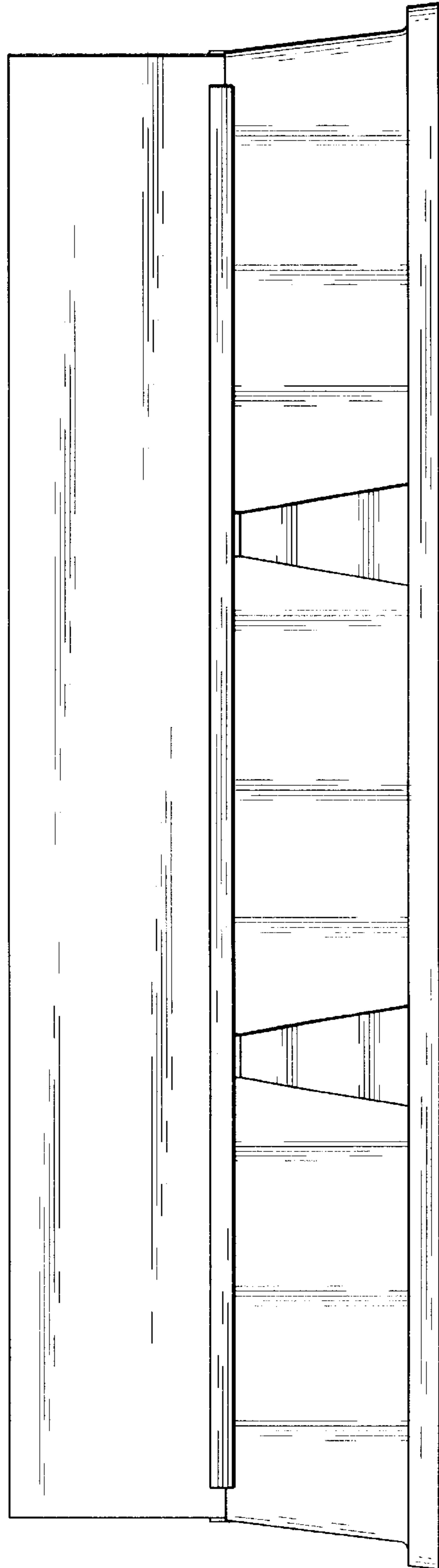


Fig. 1



*Fig. 2*



*Fig. 3*

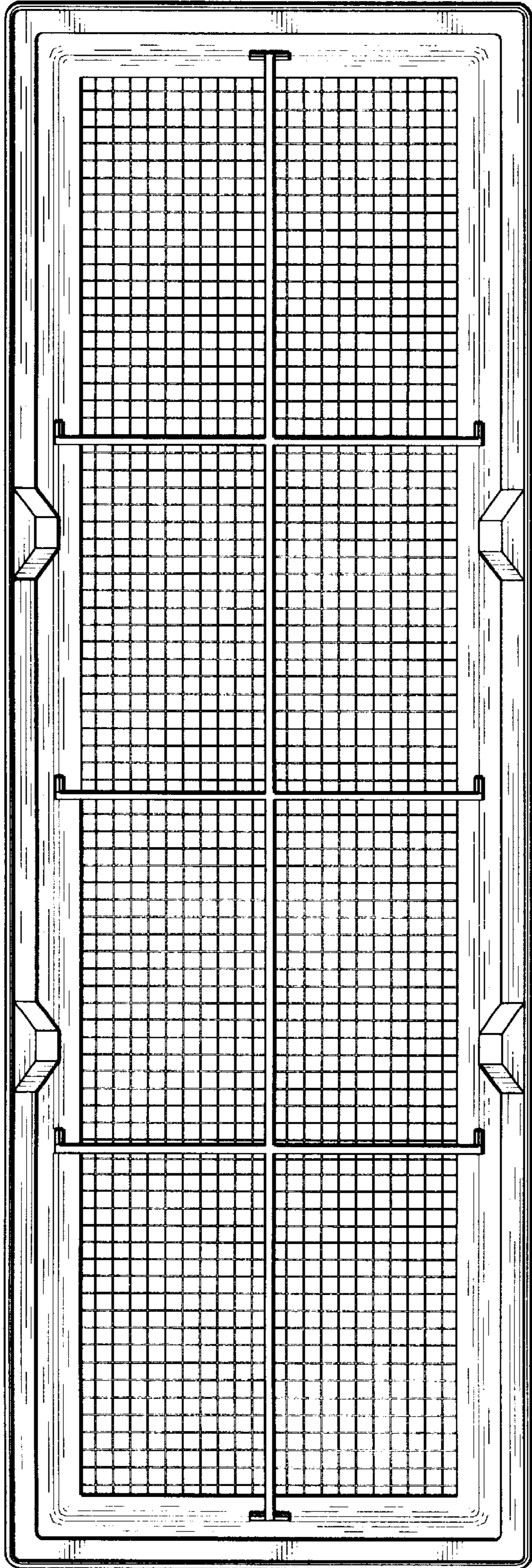


Fig. 4

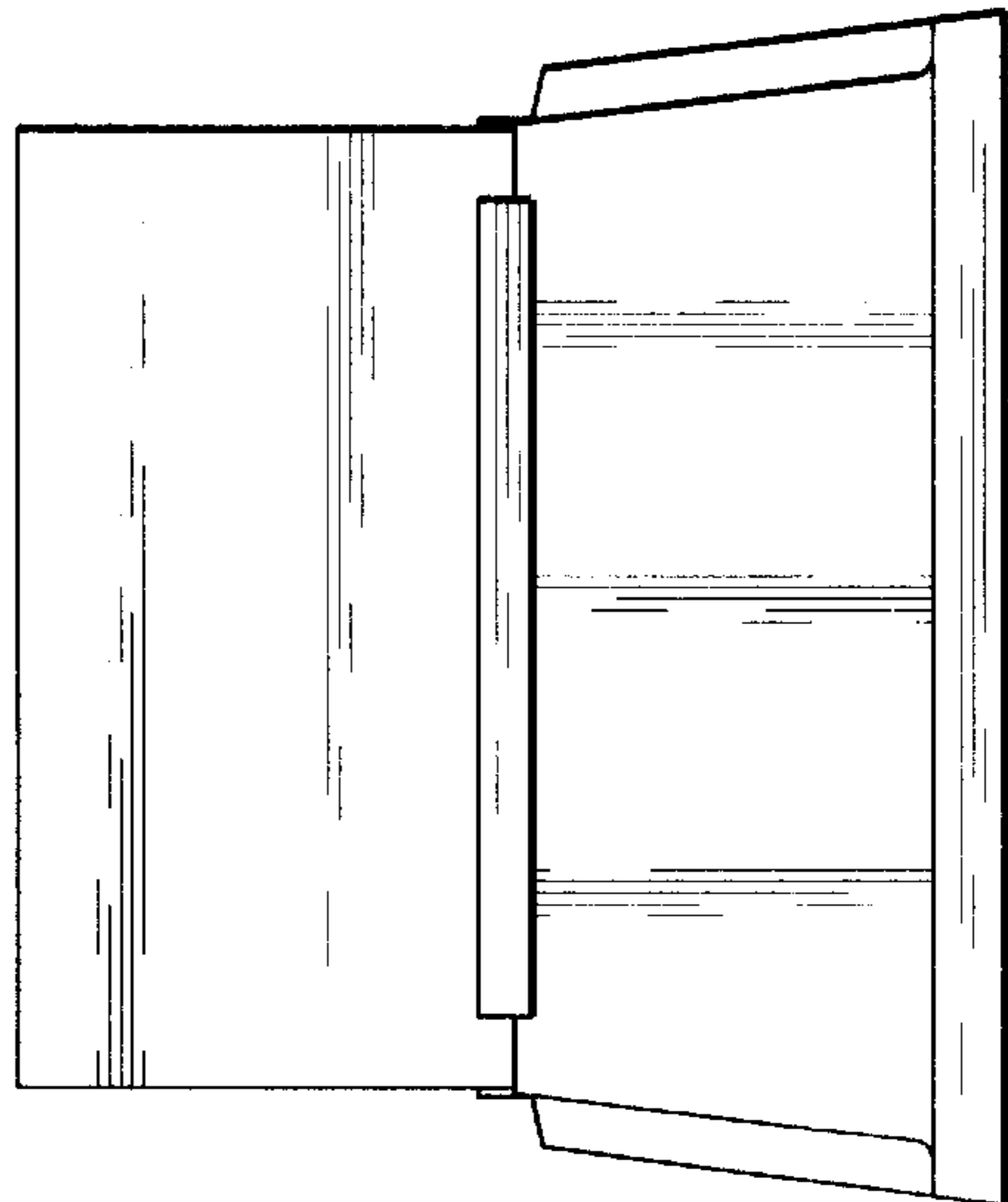


Fig. 5