



US00D402229S

# United States Patent [19] Christensen

[11] **Patent Number: Des. 402,229**

[45] **Date of Patent: \*\*Dec. 8, 1998**

[54] **KNOCK-DOWN PLANTER**

[76] Inventor: **Daniel L. Christensen**, 1635 Cedar Lake Pkwy., Minneapolis, Minn. 55416

[\*\*] Term: **14 Years**

[21] Appl. No.: **34,646**

[22] Filed: **Feb. 9, 1995**

[51] **LOC (6) Cl.** ..... **11-02**

[52] **U.S. Cl.** ..... **D11/155**

[58] **Field of Search** ..... D11/155, 143;  
47/66 SC; D3/304, 305, 314

[56] **References Cited**

**U.S. PATENT DOCUMENTS**

D. 248,196	6/1978	Gordon, Sr.	.....	D11/148	X
1,572,444	2/1926	Mueller	.....	47/72	X
4,809,146	2/1989	Johnson	.....	211/189	X

**FOREIGN PATENT DOCUMENTS**

180756	6/1954	Germany	.....	47/72
14573	3/1896	United Kingdom	.	

**OTHER PUBLICATIONS**

“Hanging Gardens by Christen”, Aug. 1977, item No. 81-3XX-X, slatted cedar hanging planter, Plant Husbandry Boxes.

“Lilian Vernon”, Jun. 1991, p. 25,, slatted railing planter box, Plant Husbandry Boxes.

*Primary Examiner*—James Gandy  
*Assistant Examiner*—Cathron B. Matta  
*Attorney, Agent, or Firm*—Hugh D. Jaeger

[57] **CLAIM**

The ornamental design for a knock-down planter, as shown.

**DESCRIPTION**

FIG. 1 illustrates an isometric view of the knock-down planter;

FIG. 2 illustrates a front view thereof;

FIG. 3 illustrates a right side view thereof;

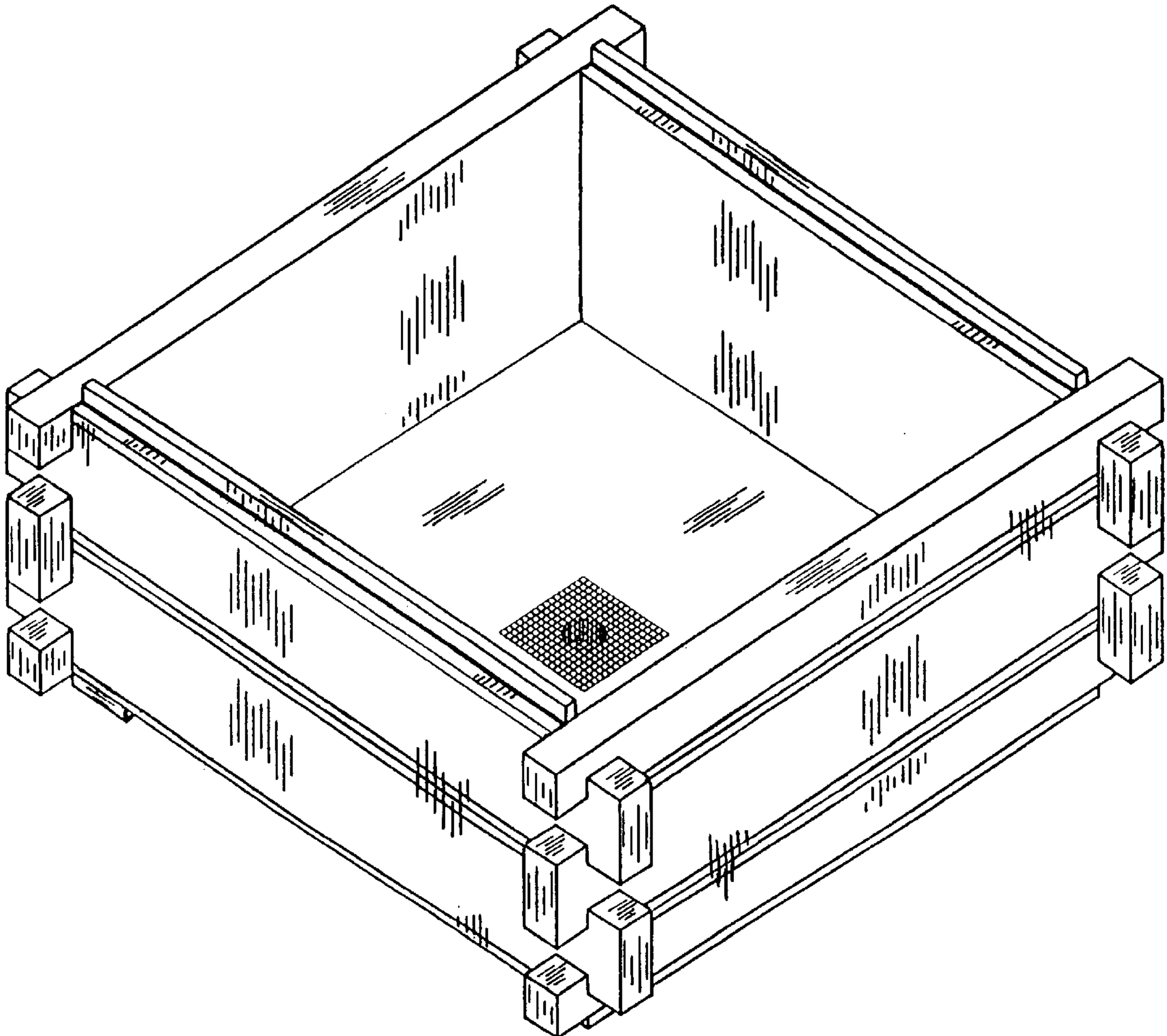
FIG. 4 illustrates a back view thereof;

FIG. 5 illustrates a left side view thereof;

FIG. 6 illustrates a top view thereof; and,

FIG. 7 illustrates a bottom view thereof.

**1 Claim, 7 Drawing Sheets**



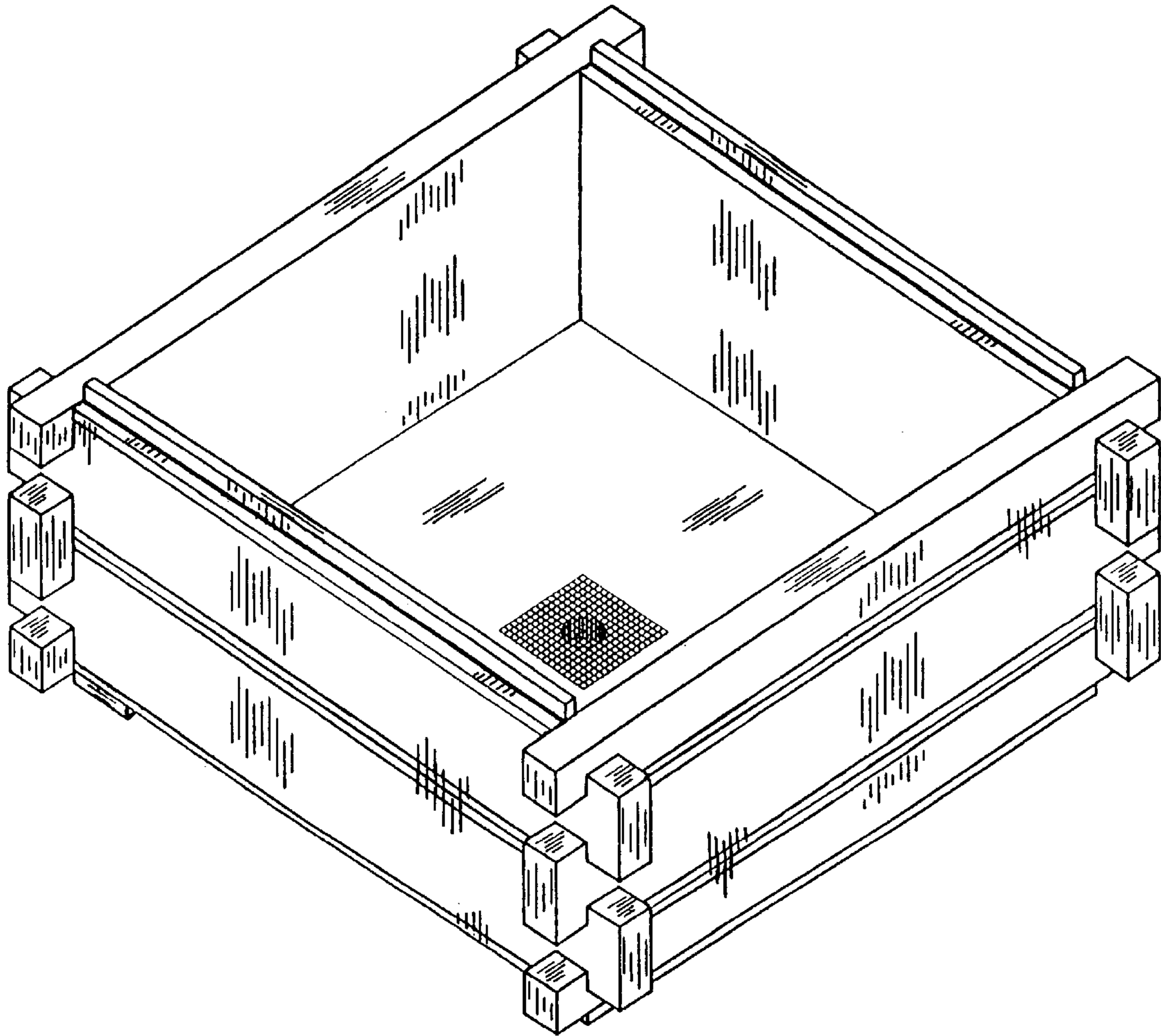


FIG. 1

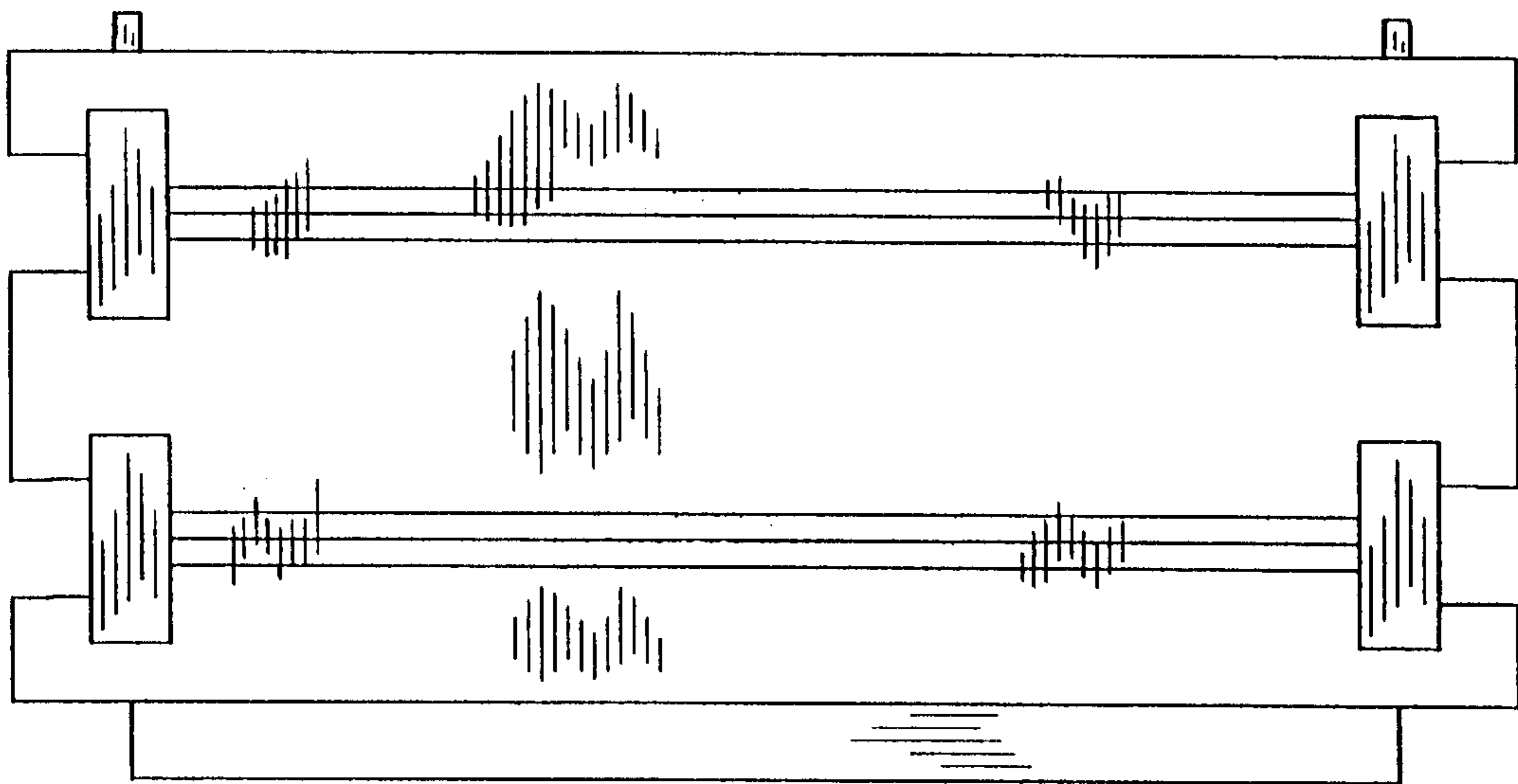


FIG. 2

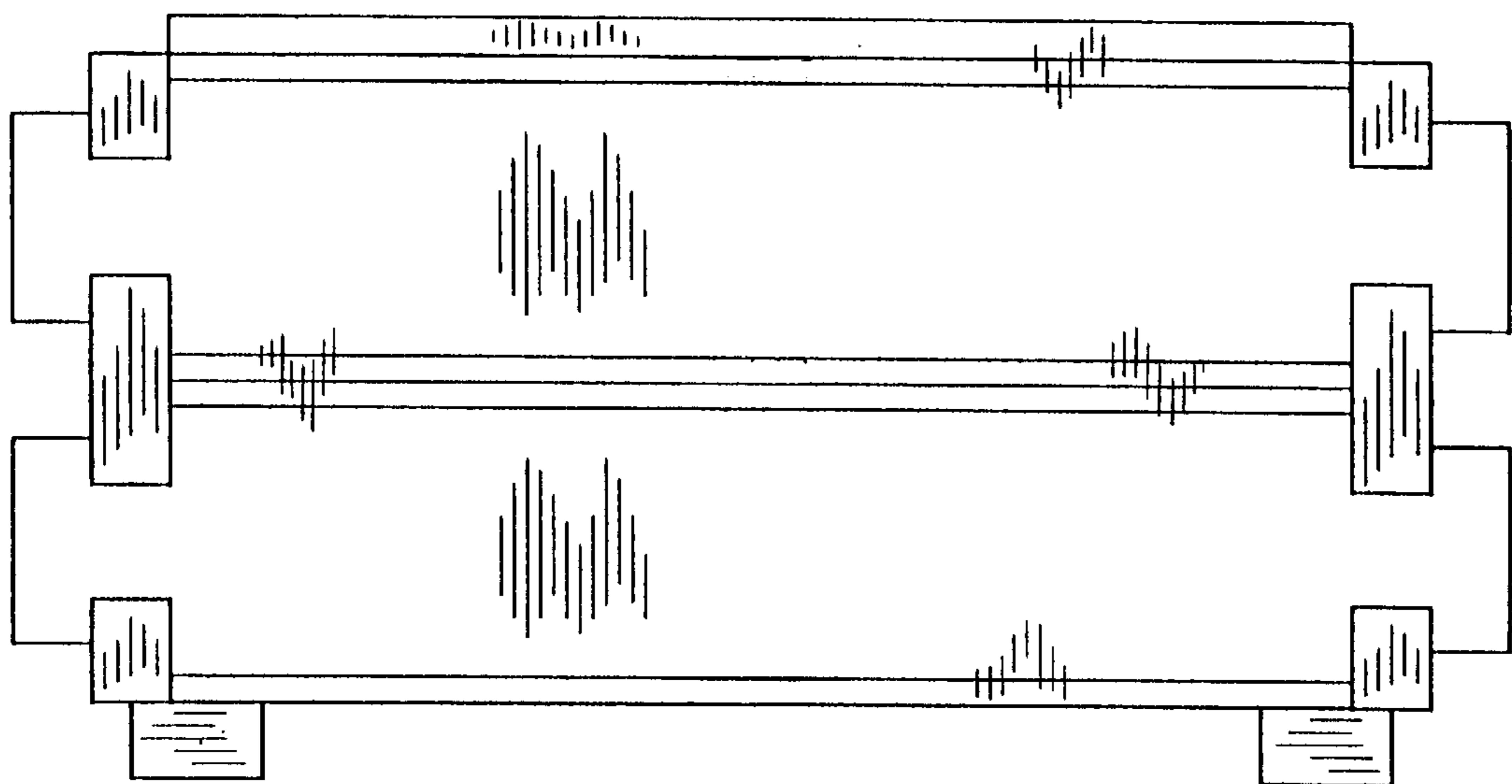


FIG. 3

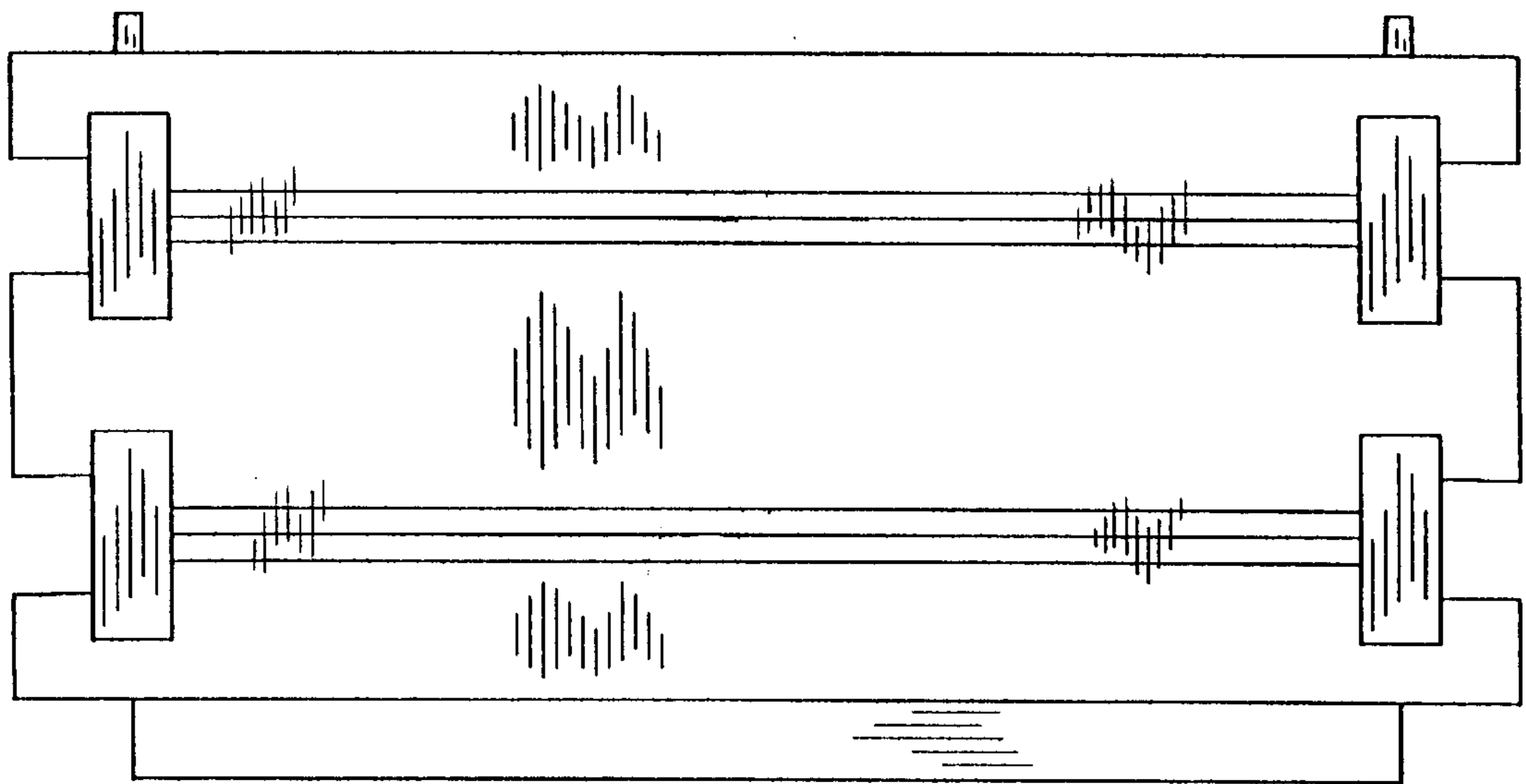


FIG. 4

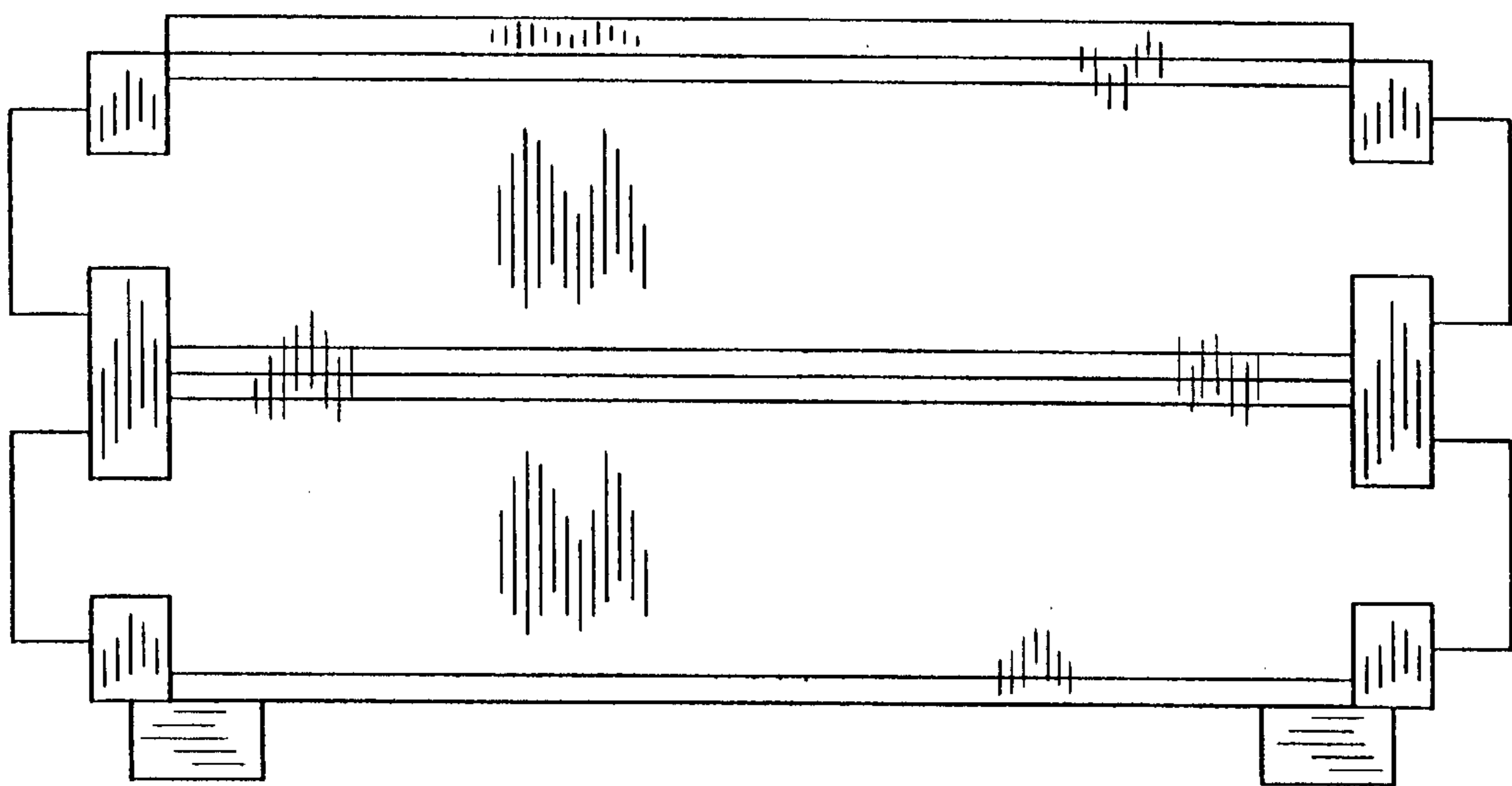


FIG. 5

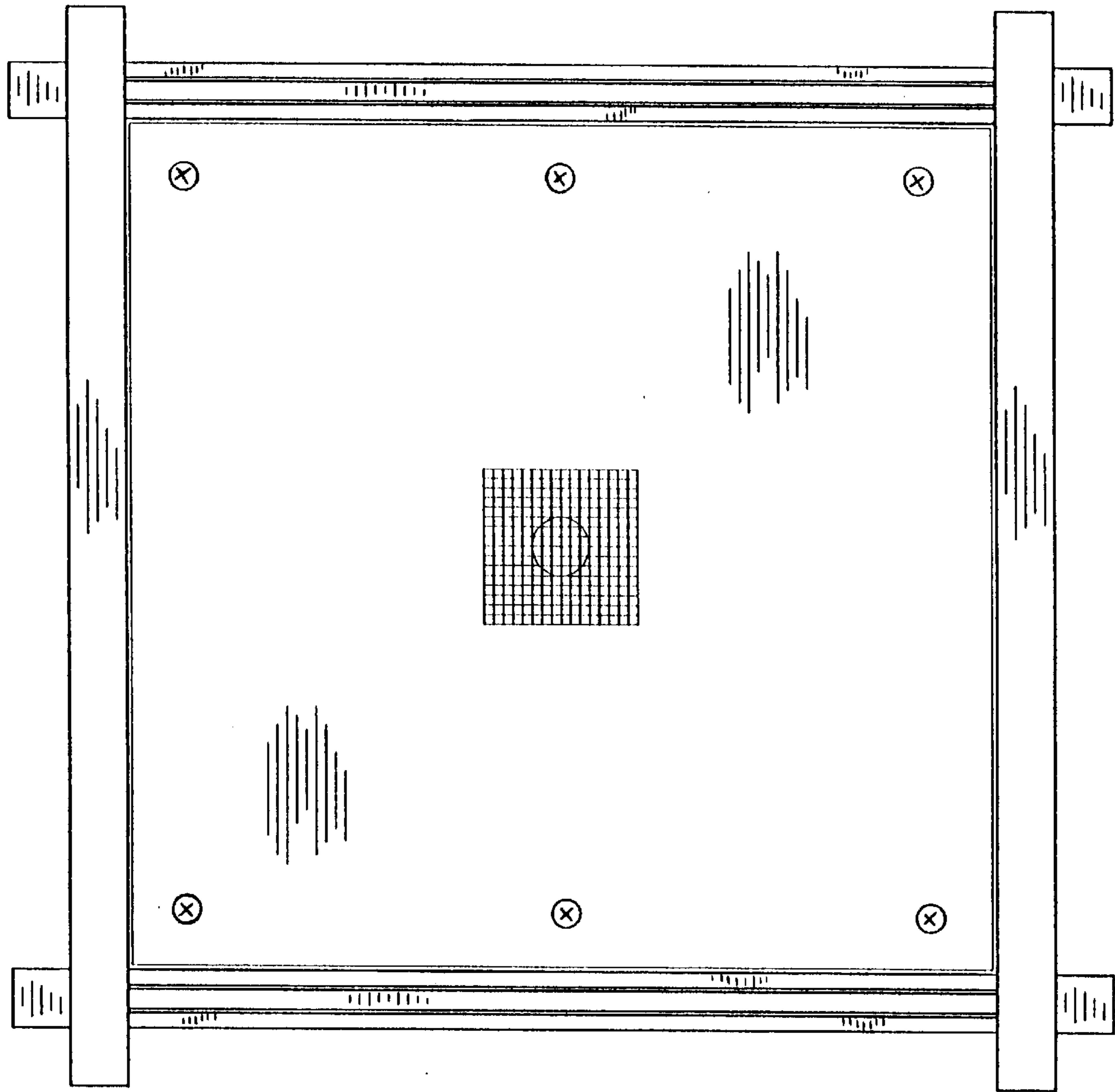


FIG. 6

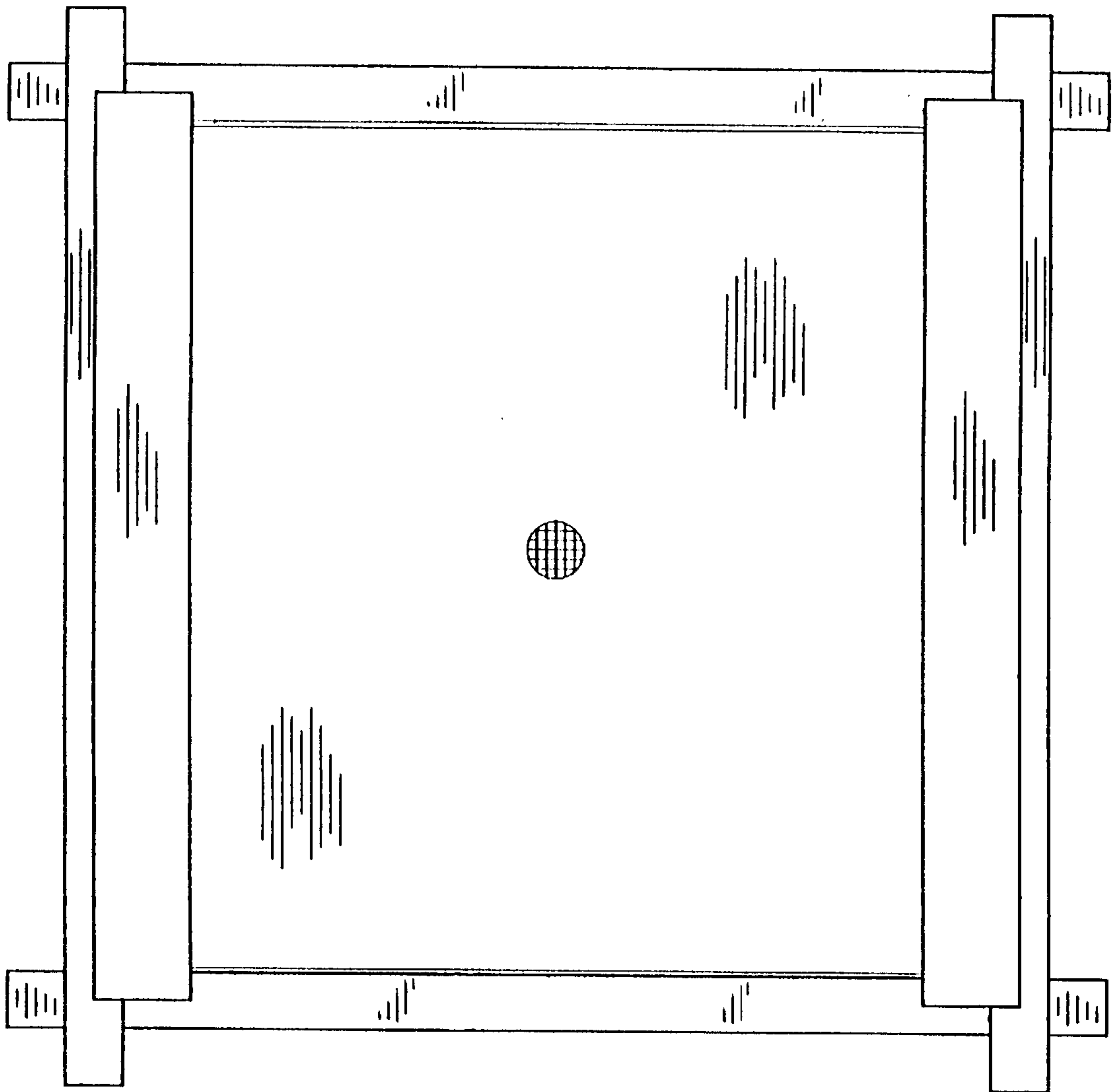


FIG. 7