



US00D402221S

United States Patent [19]

Clarke, Jr.

[11] Patent Number: **Des. 402,221**

[45] Date of Patent: ****Dec. 8, 1998**

[54] **PORTABLE STAND PIPE TESTER**

[76] Inventor: **Douglas H. Clarke, Jr.**, 22711
Queensbury Ct., Wildomar, Calif. 92595

[**] Term: **14 Years**

[21] Appl. No.: **79,410**

[22] Filed: **Nov. 13, 1997**

[51] **LOC (6) Cl.** **10-04**

[52] **U.S. Cl.** **D10/96**

[58] **Field of Search** D10/96-99; 73/292,
73/313, 49.1, 49.2, 49.5, 302; 364/509,
550

[56] **References Cited**

U.S. PATENT DOCUMENTS

D. 366,435 1/1996 Malcolm D10/96
4,869,102 9/1989 Hale et al. 364/550 X

Primary Examiner—Antoine Duval Davis

[57] **CLAIM**

The ornamental design for a portable stand pipe tester, as shown.

DESCRIPTION

FIG. 1 is a front elevational view of the portable stand pipe tester of the present invention;
FIG. 2 is a back elevational view of the portable stand pipe tester of FIG. 1;
FIG. 3 is a right side elevational view of the portable stand pipe tester of FIG. 1;
FIG. 4 is a left side elevational view of the portable stand pipe tester of FIG. 1;
FIG. 5 is a top plan view of the portable stand pipe tester of FIG. 1; and,
FIG. 6 is a bottom plan view of the portable stand pipe tester of FIG. 1.

1 Claim, 3 Drawing Sheets

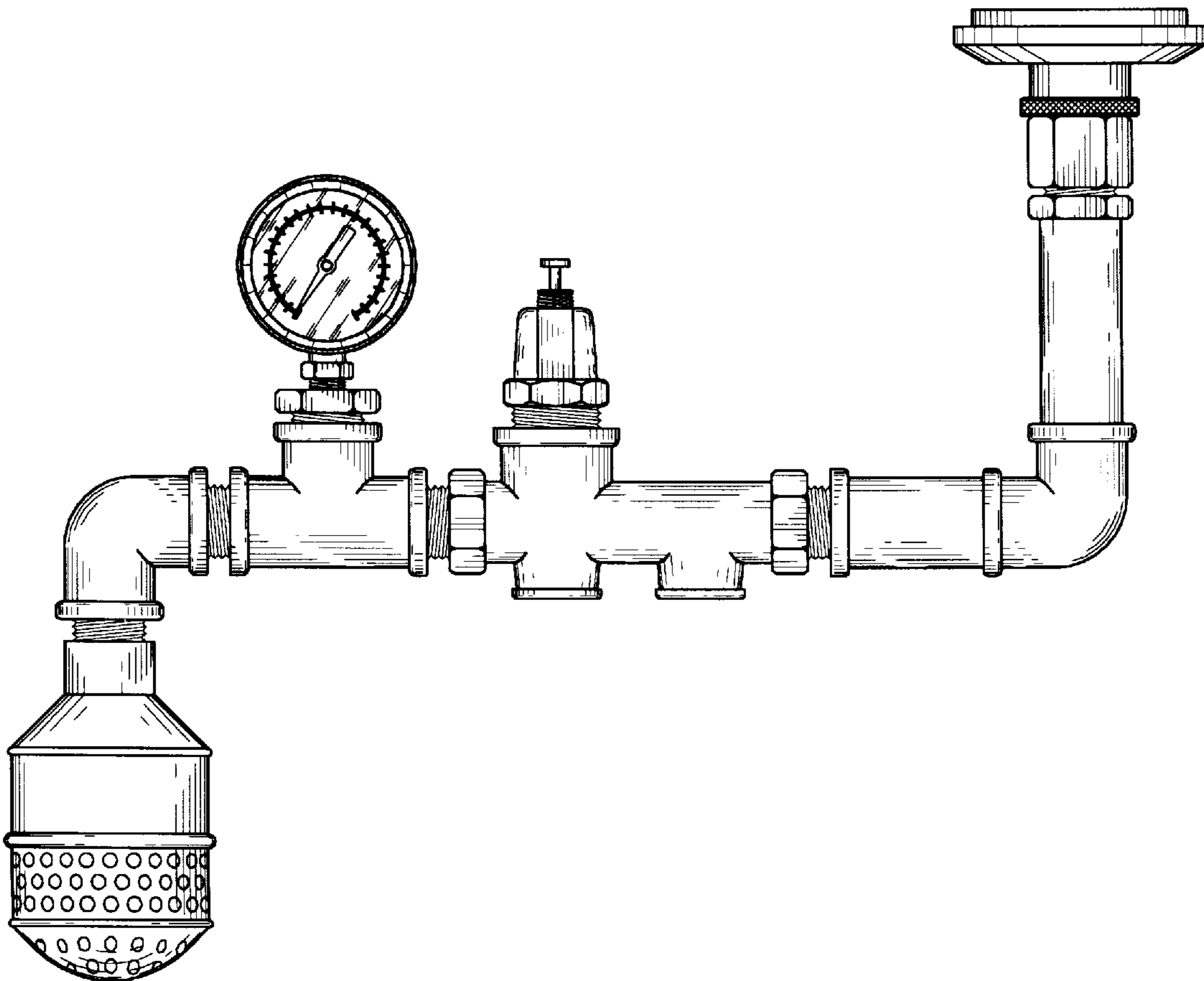


Fig. 2

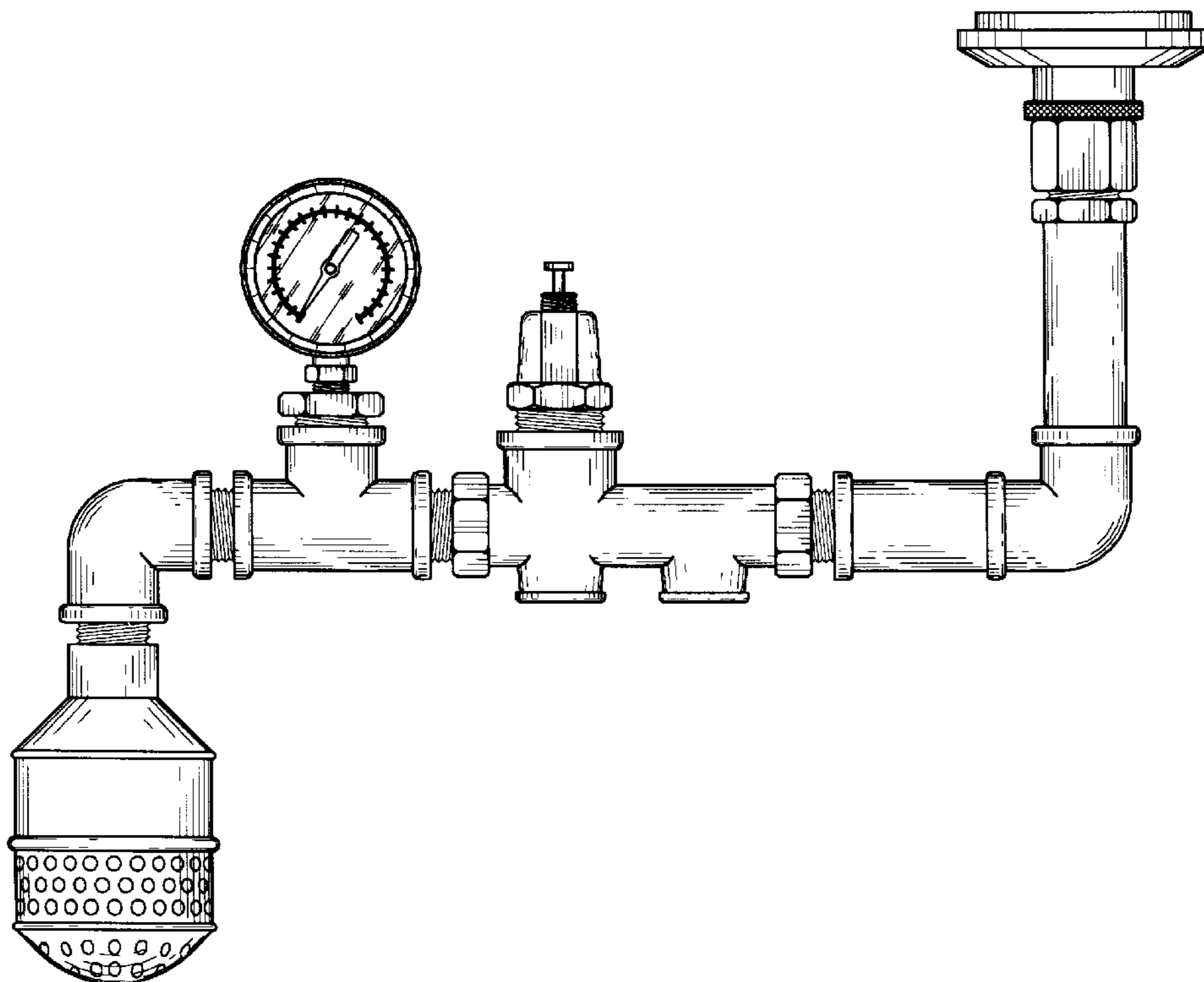
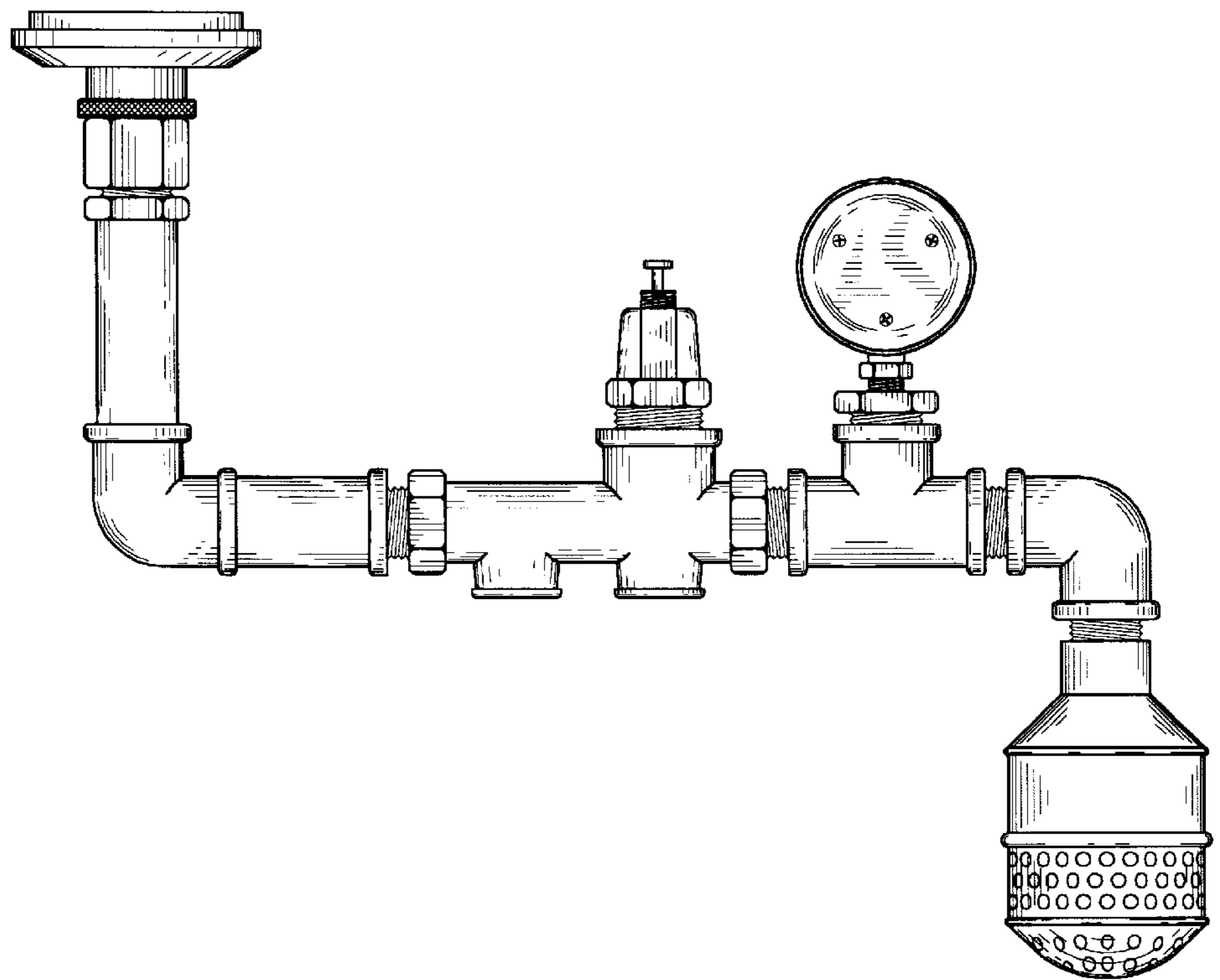


Fig. 1

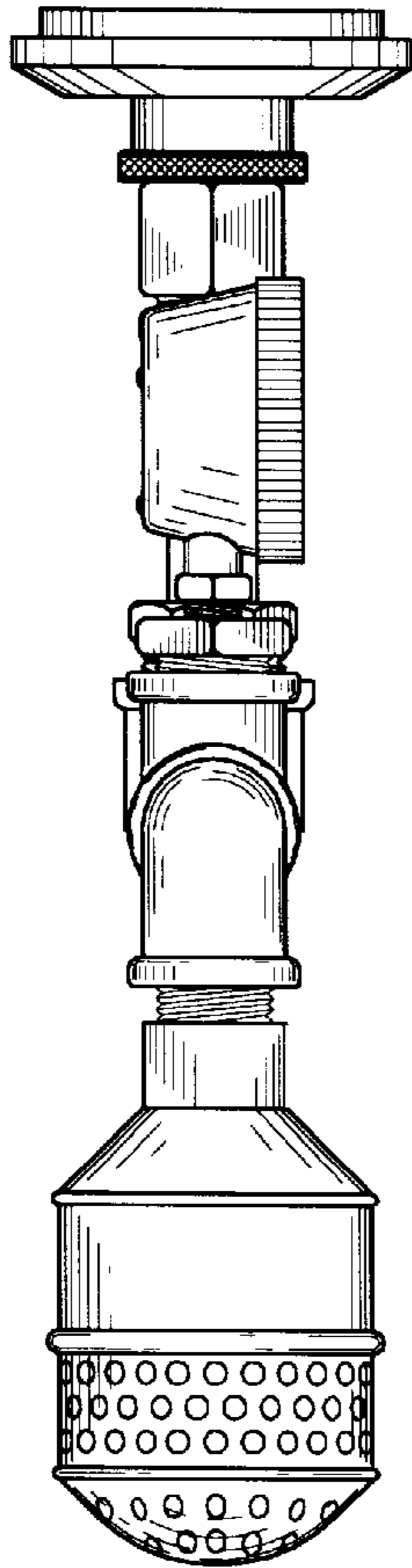


Fig. 3

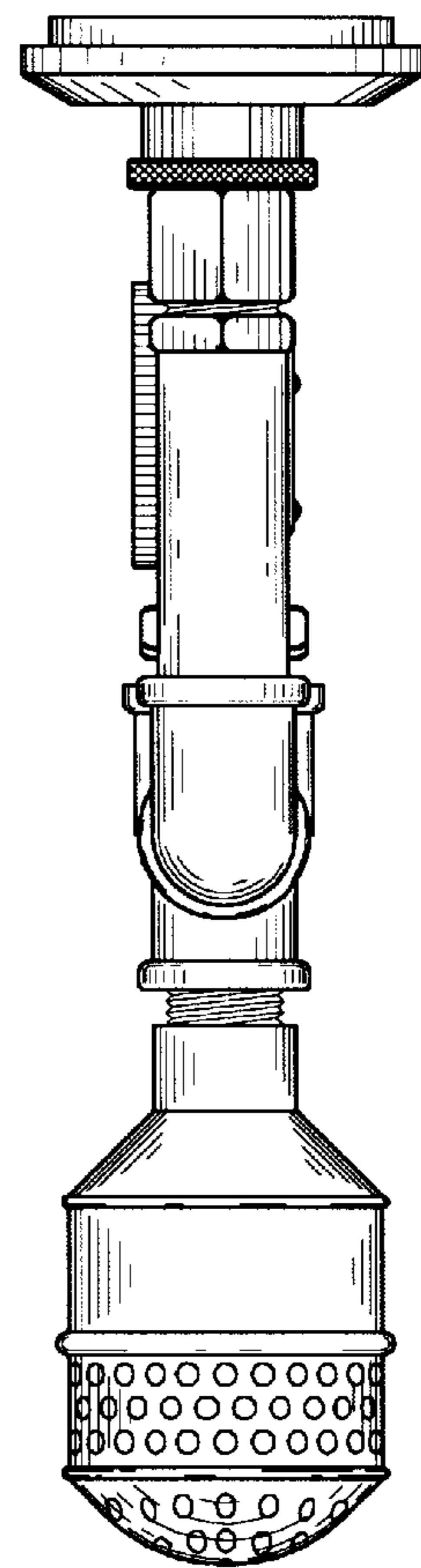


Fig. 4

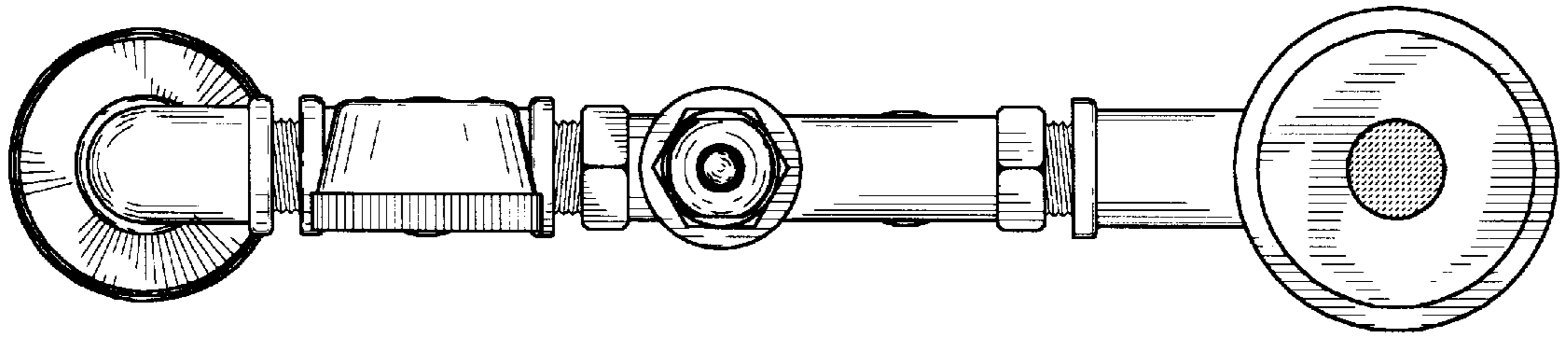


Fig. 5

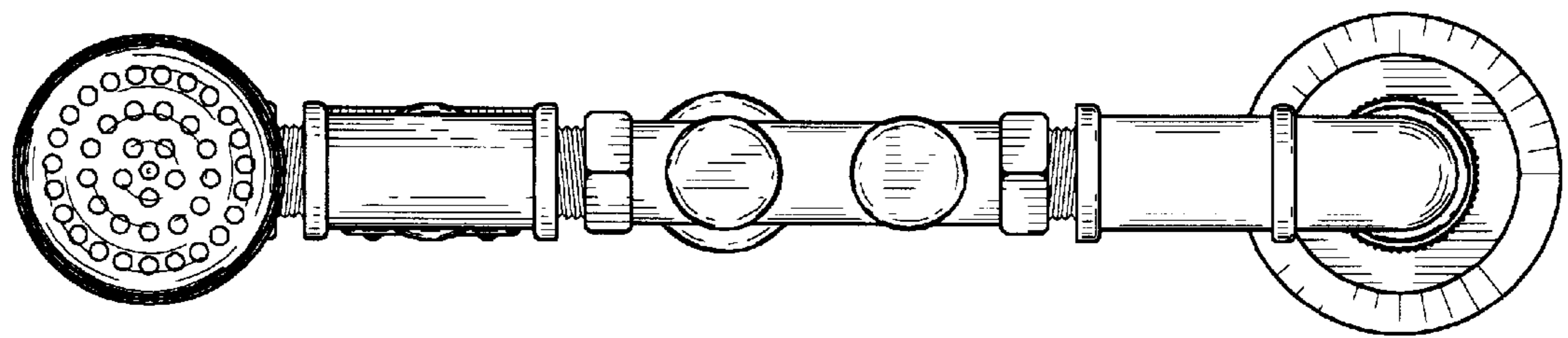


Fig. 6