



US00D402219S

# United States Patent [19]

Hewson et al.

[11] Patent Number: **Des. 402,219**

[45] Date of Patent: **\*\*Dec. 8, 1998**

[54] **OIL SAMPLER**

[75] Inventors: **C. Bruce Hewson**, Vancouver; **Knud Peter Nielsen, deceased**, late of Vancouver, both of Canada, by his legal representative J. Peter Nielsen

[73] Assignee: **Quantech Instruments Inc.**, Vancouver, Canada

[\*\*] Term: **14 Years**

[21] Appl. No.: **79,177**

[22] Filed: **Oct. 21, 1997**

[51] **LOC (6) Cl.** ..... **10-04**

[52] **U.S. Cl.** ..... **D10/81; D10/78**

[58] **Field of Search** ..... D10/81, 78; 73/863.81, 73/863.85, 863.86, 863, 863.91, 863.92, 864.15, 864.91, 864, 64.56; 422/99

[56] **References Cited**

**U.S. PATENT DOCUMENTS**

5,596,155 1/1997 Holland ..... 73/863.81 X

*Primary Examiner*—Antoine Duval Davis  
*Attorney, Agent, or Firm*—Oyen Wiggs Green & Mutala

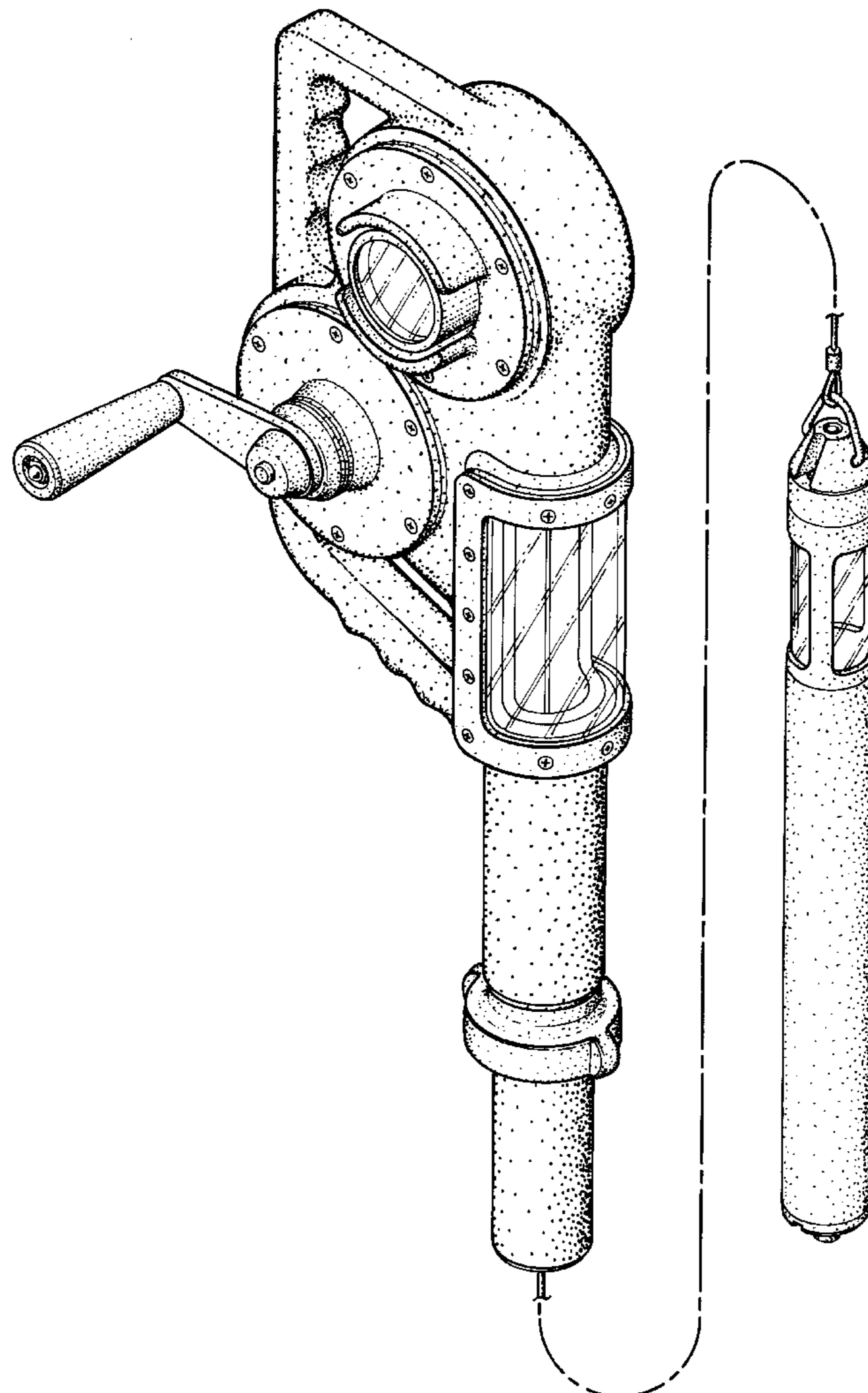
[57] **CLAIM**

The ornamental design for an oil sampler, as shown and described.

**DESCRIPTION**

FIG. 1 is a perspective view of the design;  
FIG. 2 is a right side view of the design;  
FIG. 3 is a left side view of the design;  
FIG. 4 is a top view of the design;  
FIG. 5 is a bottom side view of a first variant of the design;  
FIG. 6 is a rear view of the design; and,  
FIG. 7 is a front view of the design.

**1 Claim, 6 Drawing Sheets**



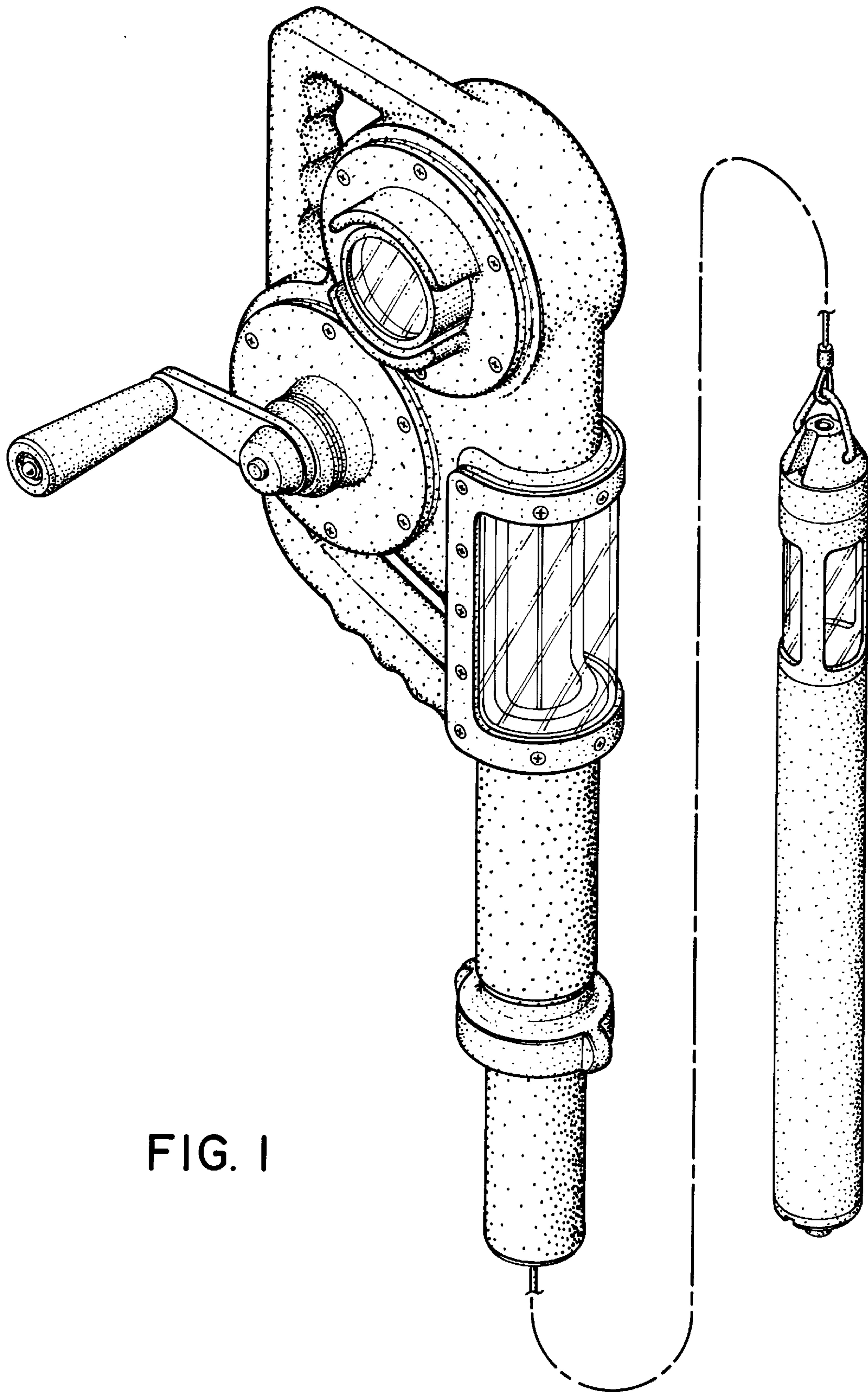


FIG. 1

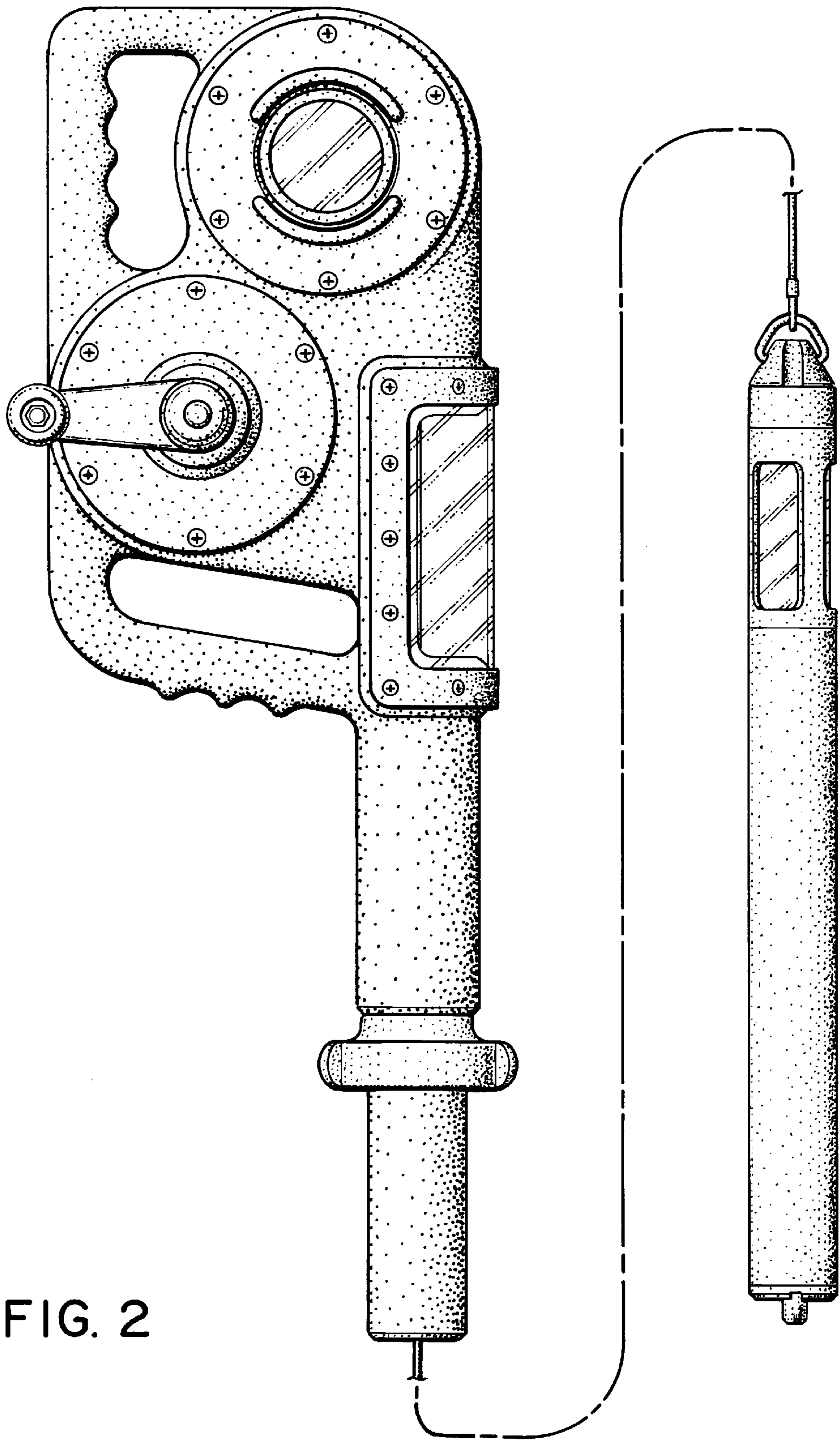


FIG. 2

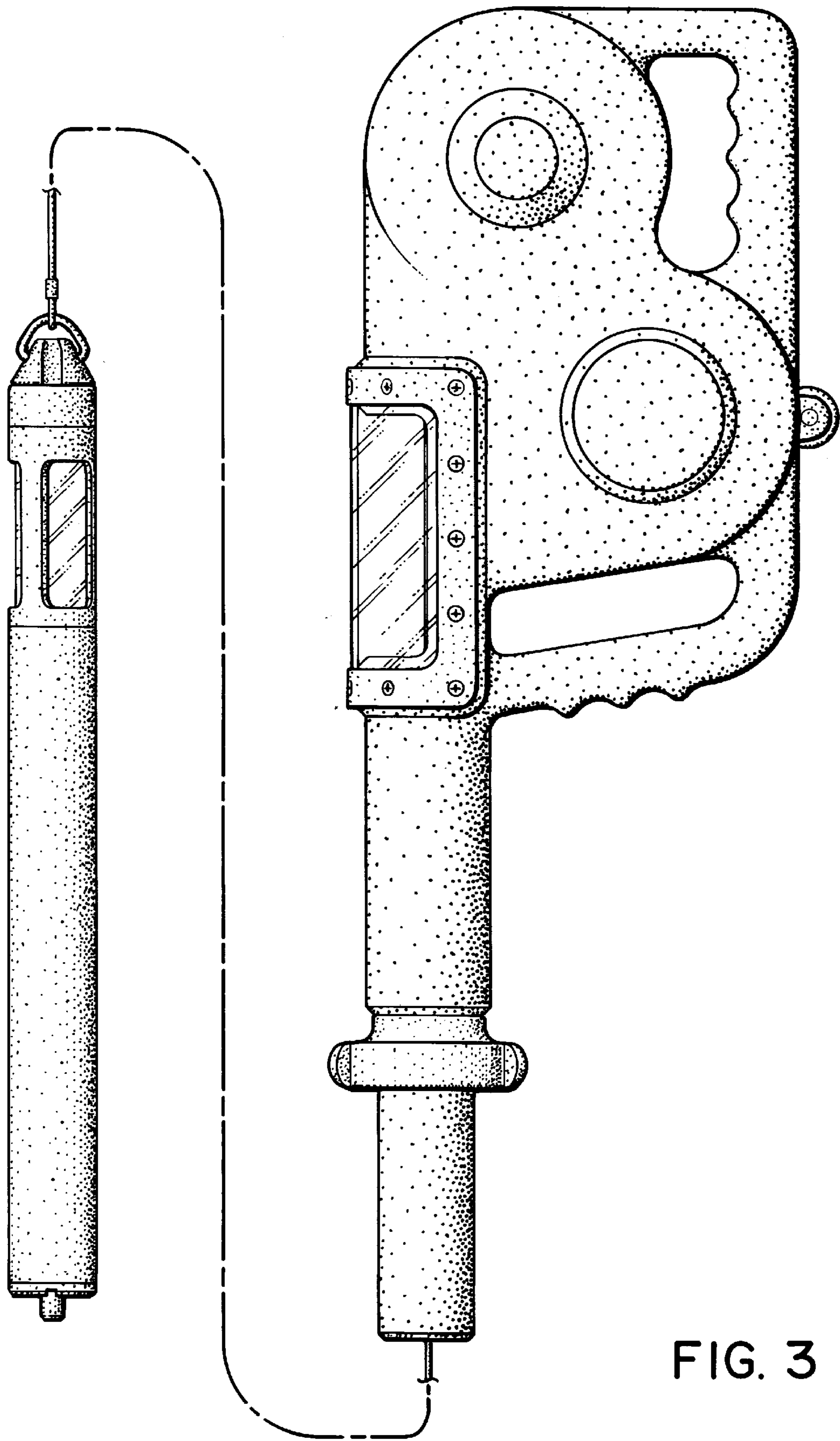


FIG. 3

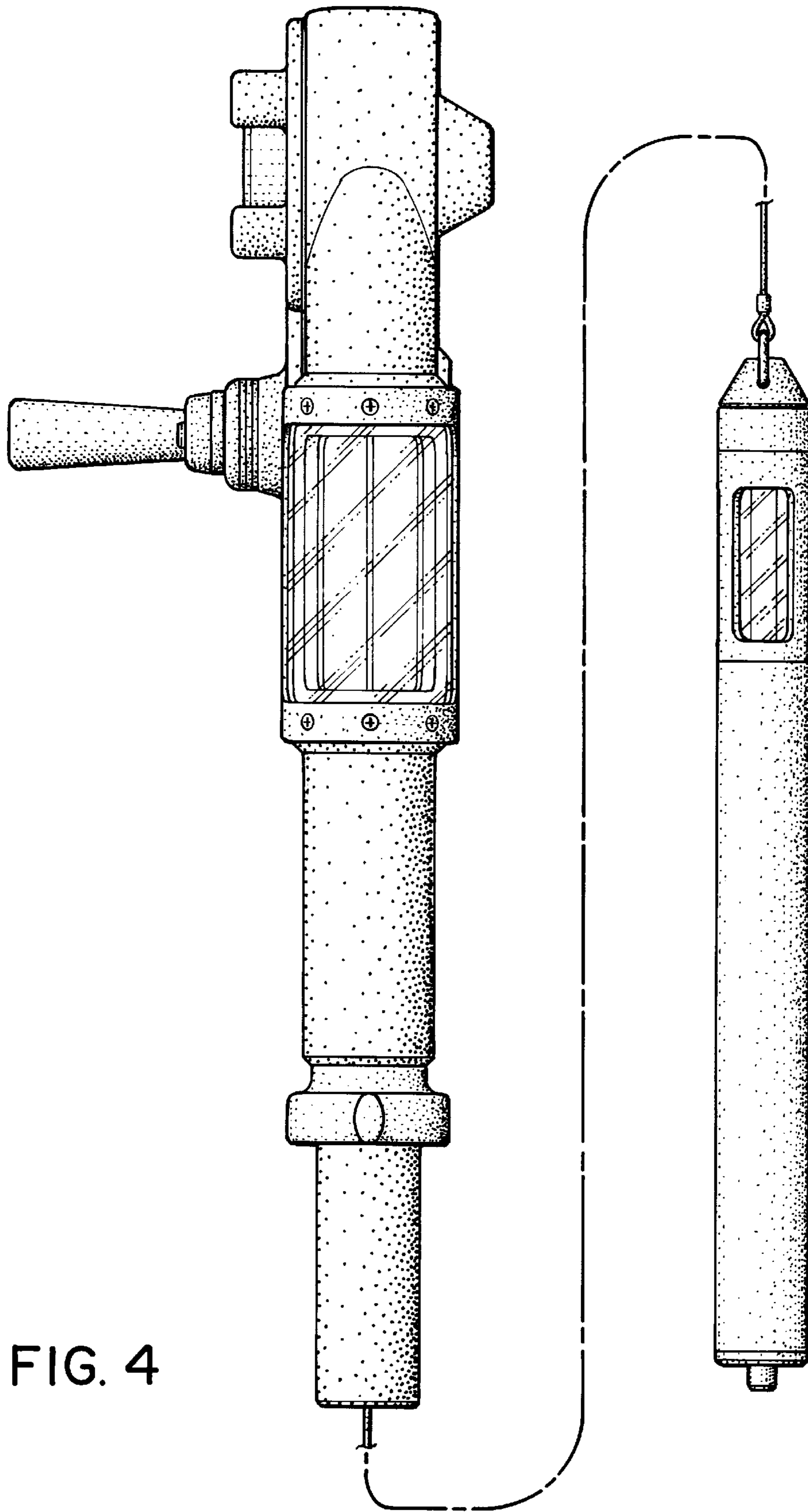


FIG. 4

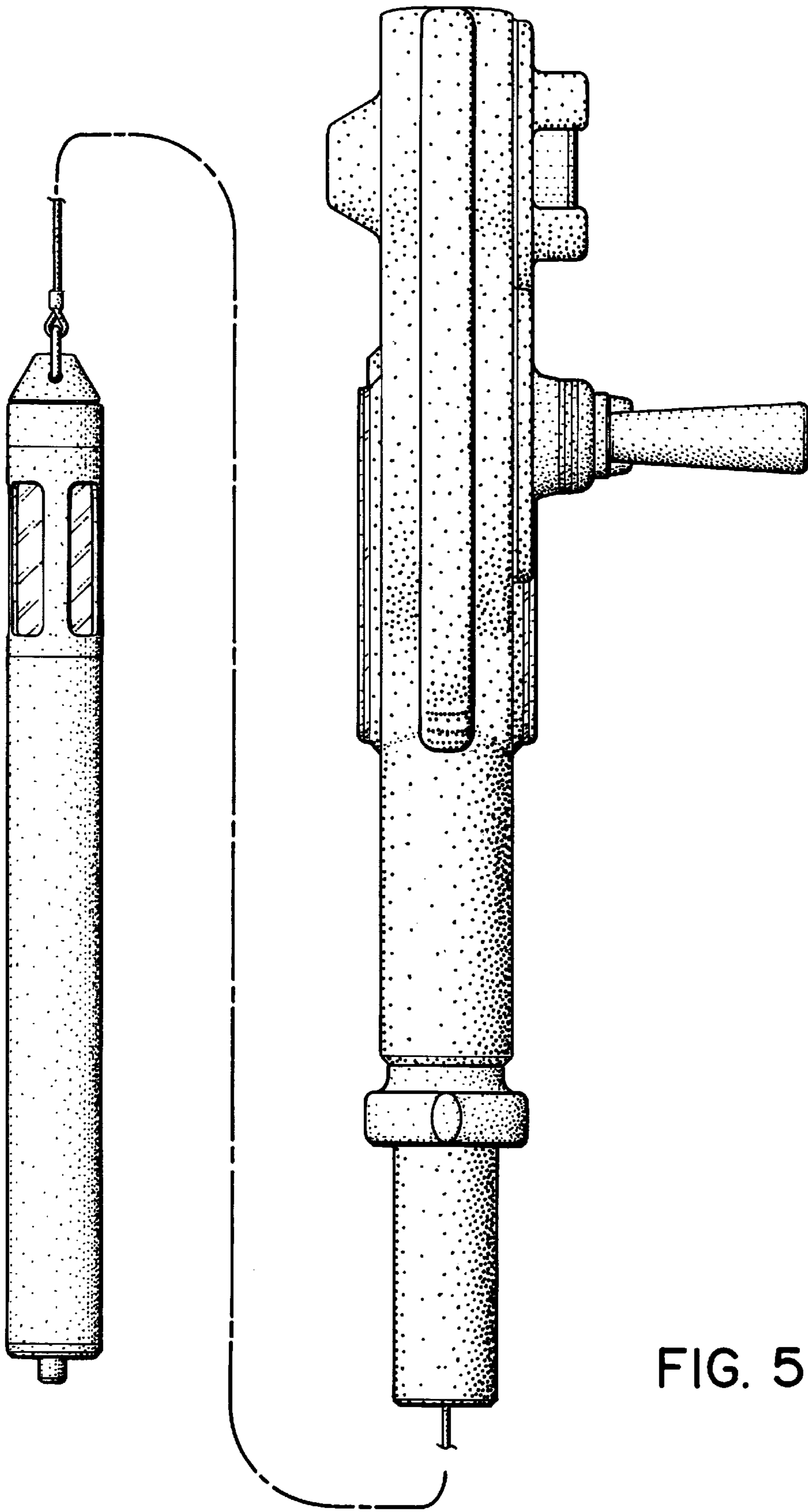


FIG. 5

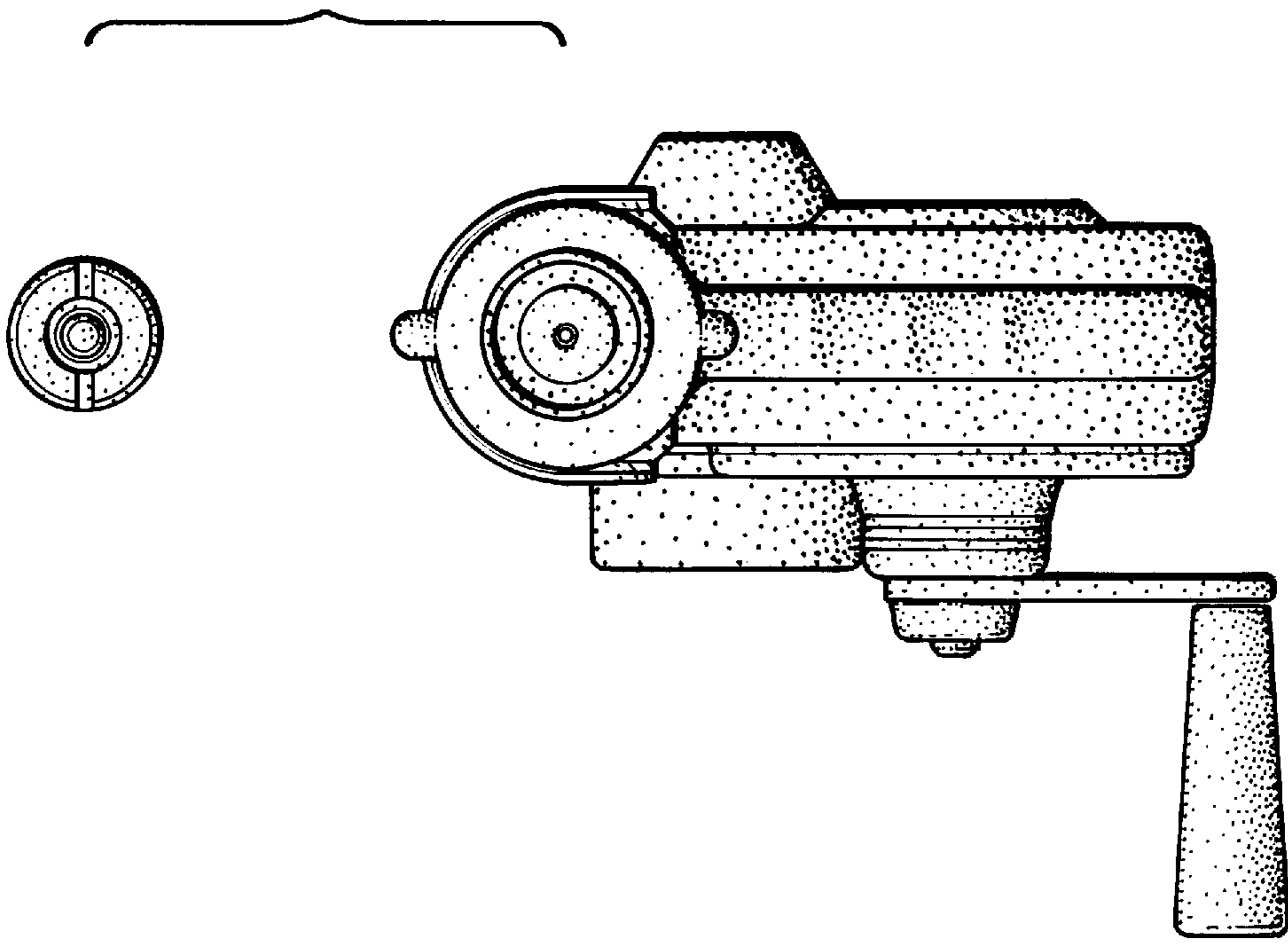


FIG. 7

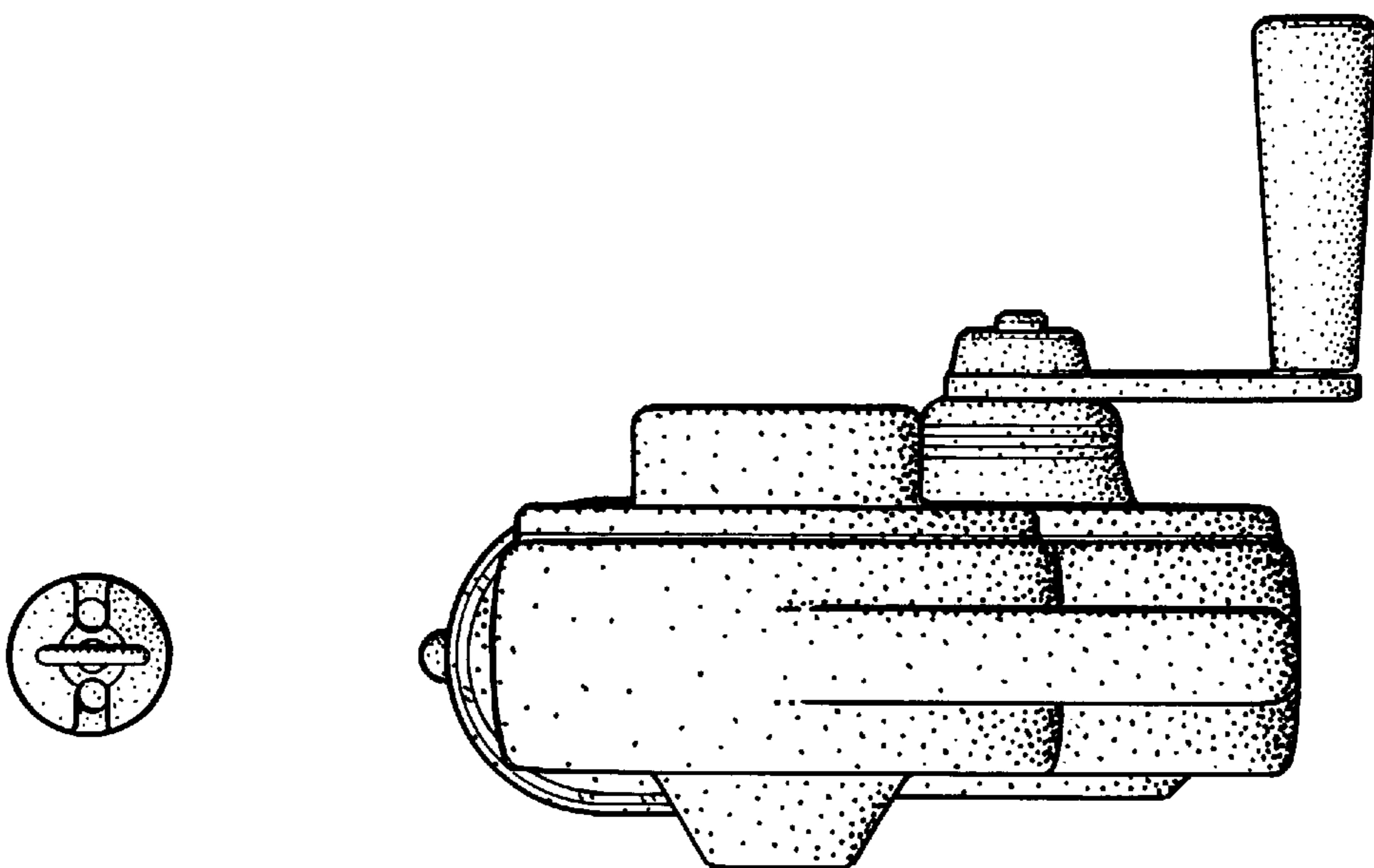


FIG. 6