



US00D402214S

**United States Patent** [19]  
**Logwood**

[11] **Patent Number:** **Des. 402,214**  
[45] **Date of Patent:** **\*\*Dec. 8, 1998**

[54] **ADJUSTABLE CUTOFF SAW GUIDE**

[57] **CLAIM**

[76] **Inventor:** **Michael E. Logwood**, 9905 Evans Ford Rd., Manassas, Va. 22111

The ornamental design for an adjustable cutoff saw guide, as shown.

[\*\*] **Term:** **14 Years**

**DESCRIPTION**

[21] **Appl. No.:** **55,371**

FIG. 1 is a perspective view of an adjustable cutoff saw guide showing my new design;  
FIG. 2 is a front view thereof;  
FIG. 3 is a bottom view thereof;  
FIG. 4 is a top view thereof;  
FIG. 5 is a rear view thereof;  
FIG. 6 is a right side view thereof;  
FIG. 7 is a left side view thereof;  
FIG. 8 is a perspective view of an alternative embodiment of an adjustable cutoff saw guide showing my new design;  
FIG. 9 is a front view thereof;  
FIG. 10 is a bottom view thereof;  
FIG. 11 is a top view thereof;  
FIG. 12 is a rear view thereof;  
FIG. 13 is a right side view thereof; and,  
FIG. 14 is a left side view thereof.

[22] **Filed:** **Jun. 4, 1996**

[51] **LOC (6) Cl.** ..... **10-04**

[52] **U.S. Cl.** ..... **D10/65**

[58] **Field of Search** ..... D10/65; 30/372-378, 30/383; 33/419-421, 427, 428, 464

[56] **References Cited**

**U.S. PATENT DOCUMENTS**

- D. 362,401 9/1995 Logwood ..... D10/65
- 3,488,868 1/1970 Gutowski et al. .... 33/464
- 4,641,435 2/1987 Brown ..... 33/464 X

*Primary Examiner*—Antoine Duval Davis  
*Attorney, Agent, or Firm*—Harold H. Dutton, Jr.; W. C. L. Jamison; Diane F. Liebman

**1 Claim, 4 Drawing Sheets**

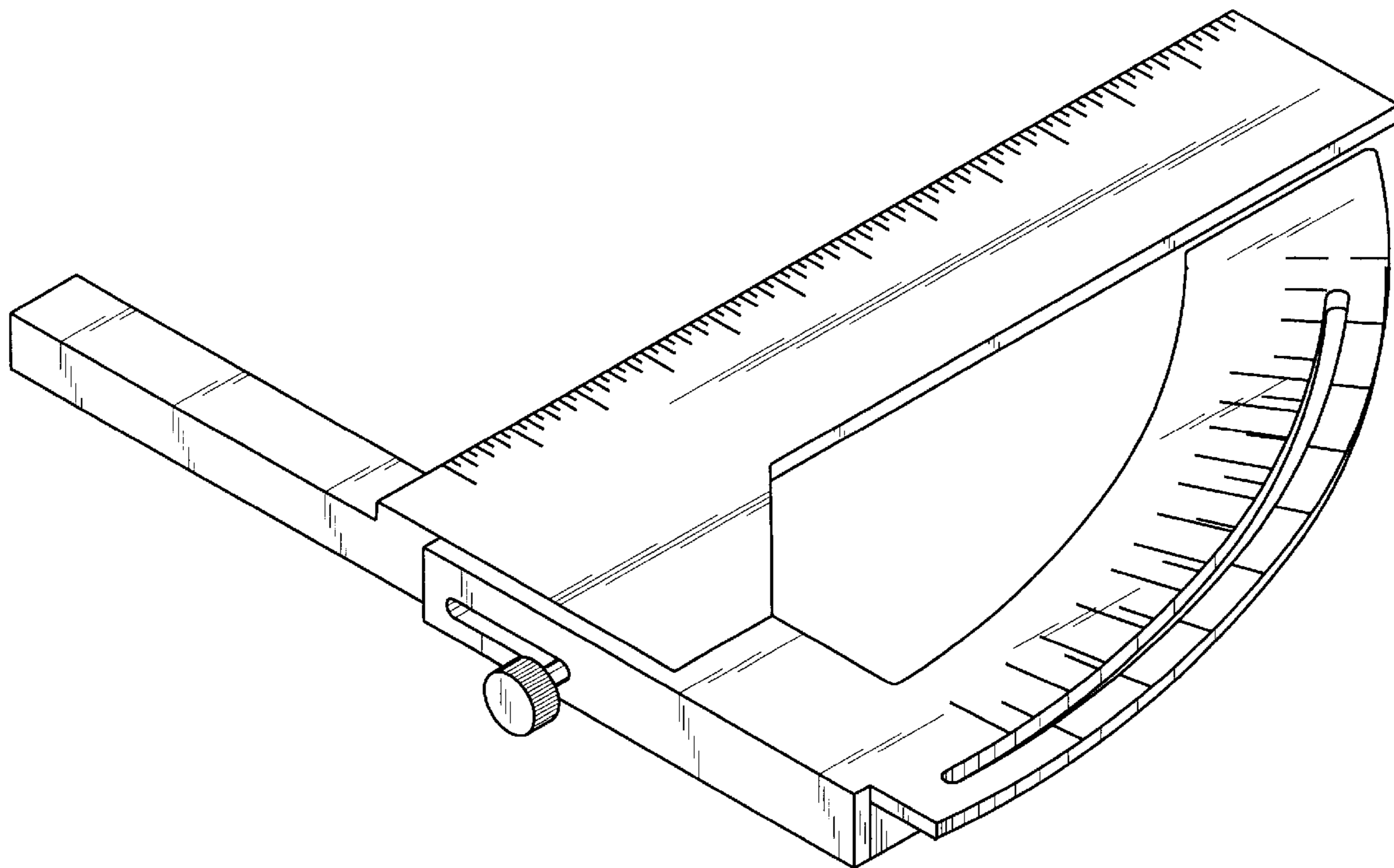


FIG. 1

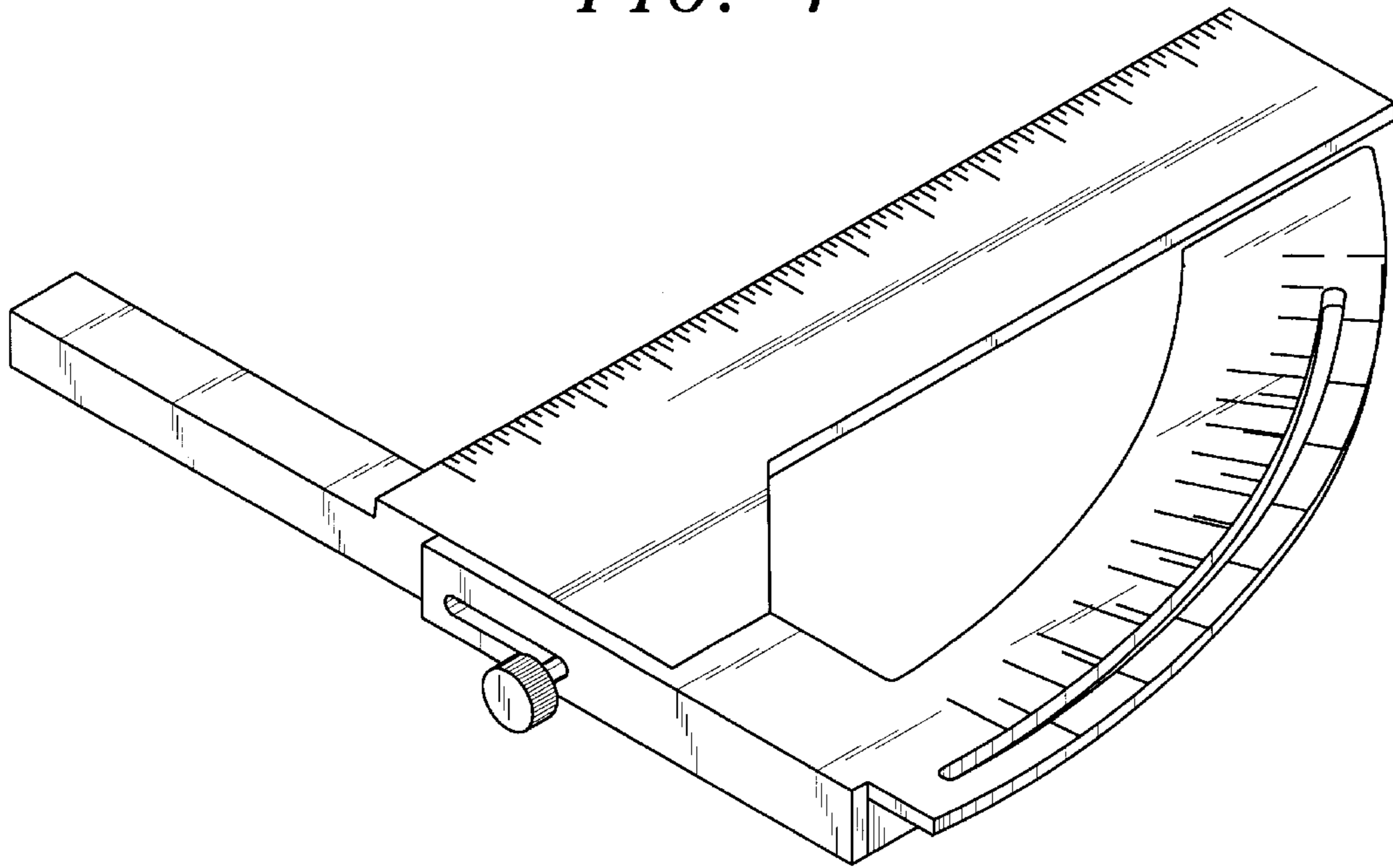


FIG. 2

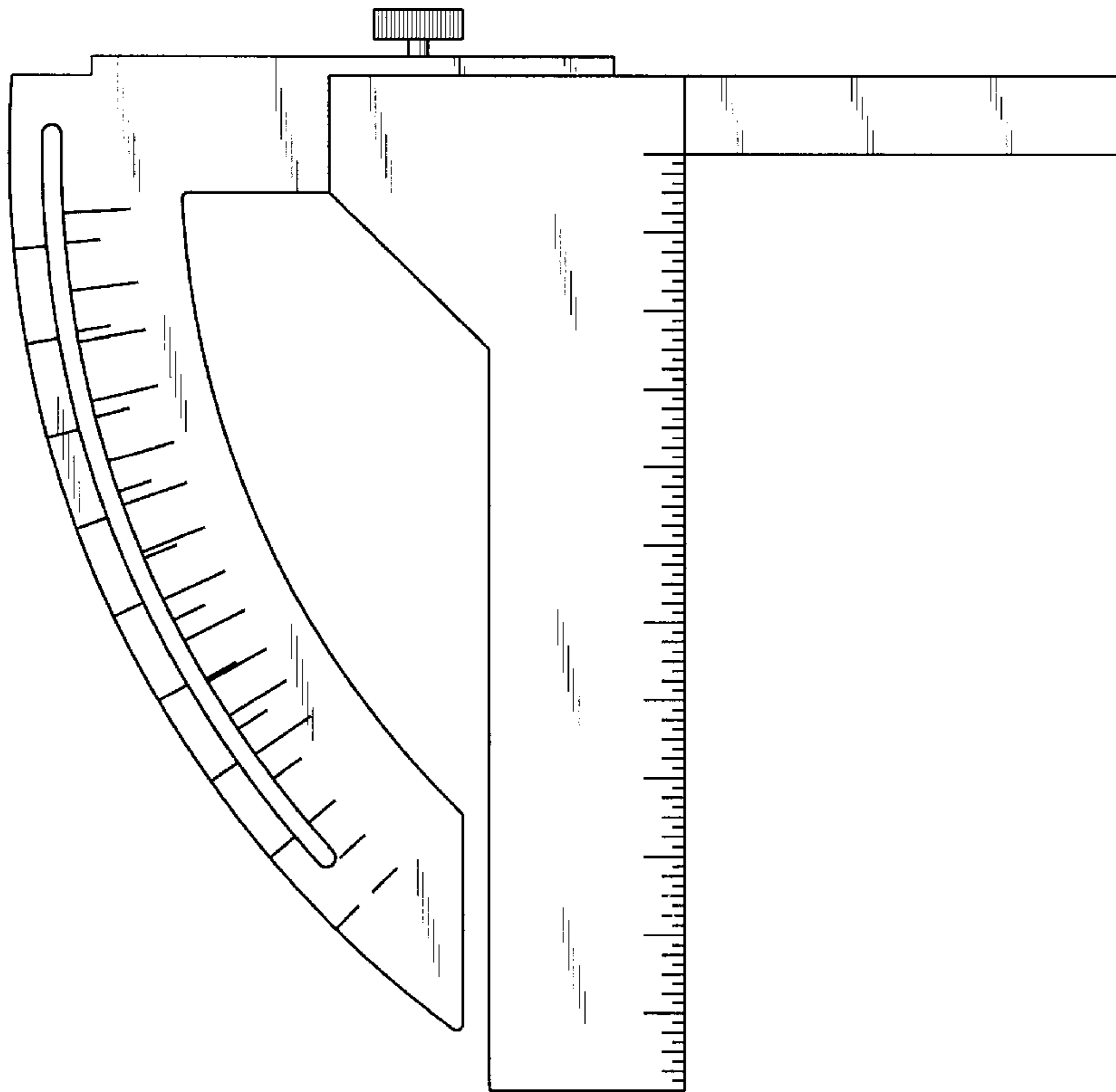
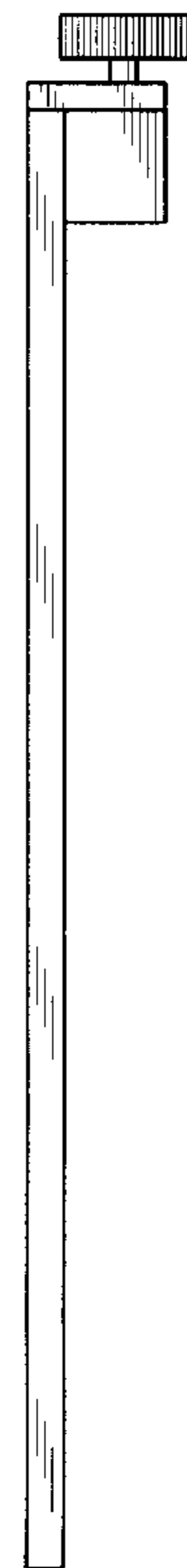
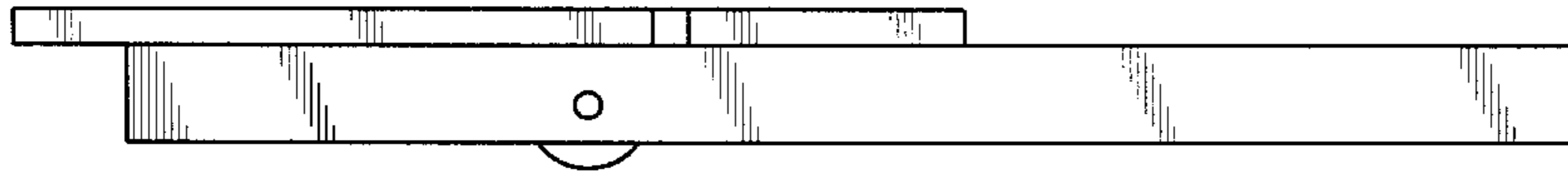


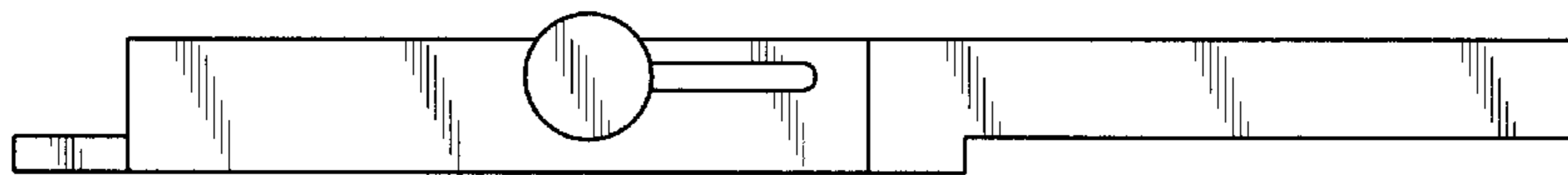
FIG. 6



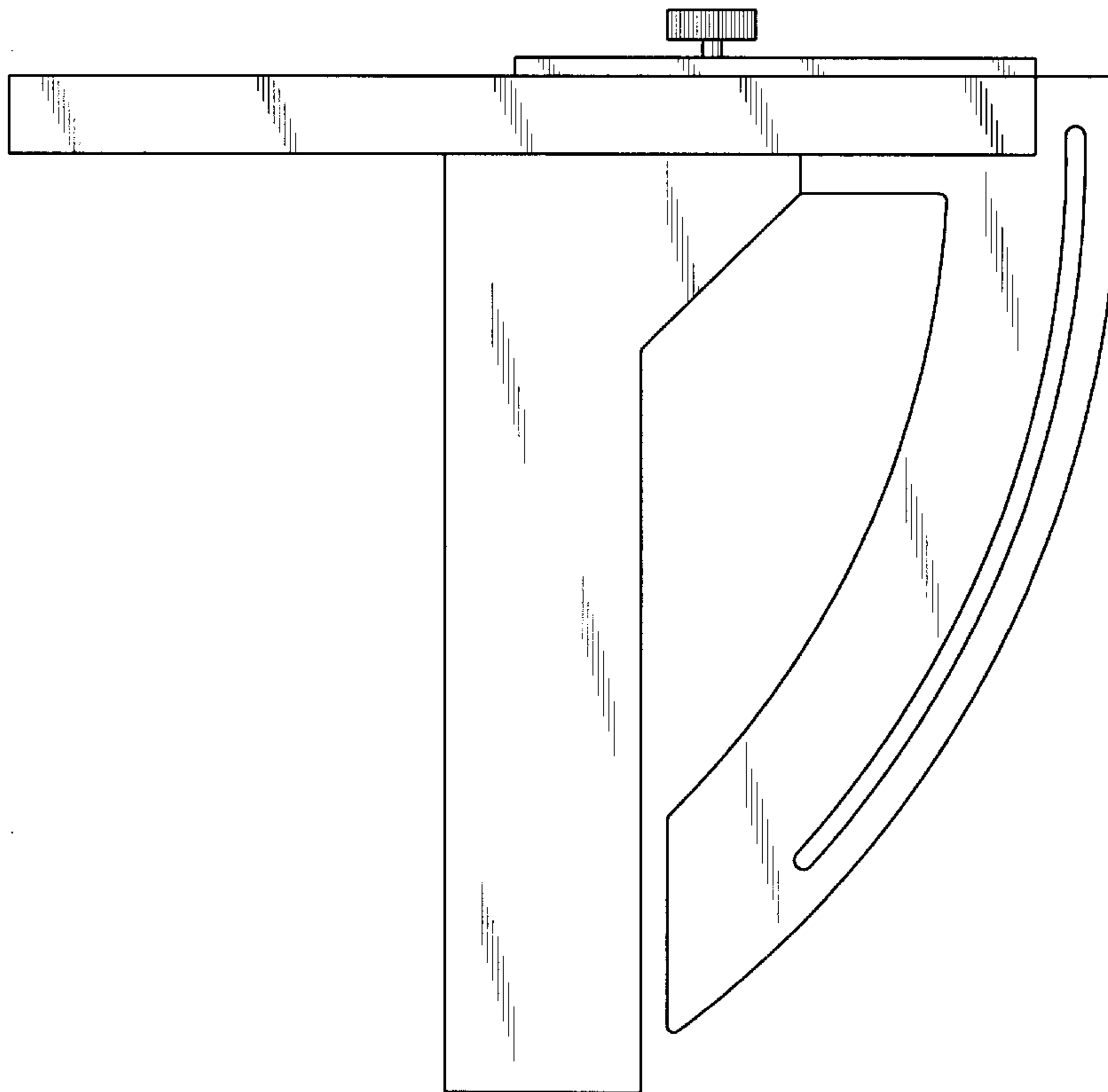
*FIG. 3*



*FIG. 4*



*FIG. 5*



*FIG. 7*

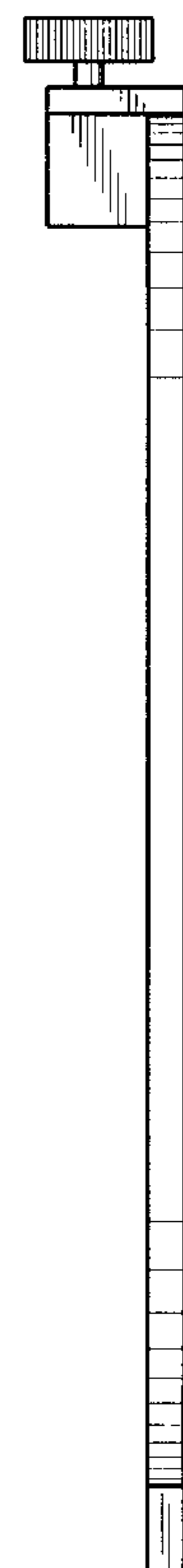


FIG. 8

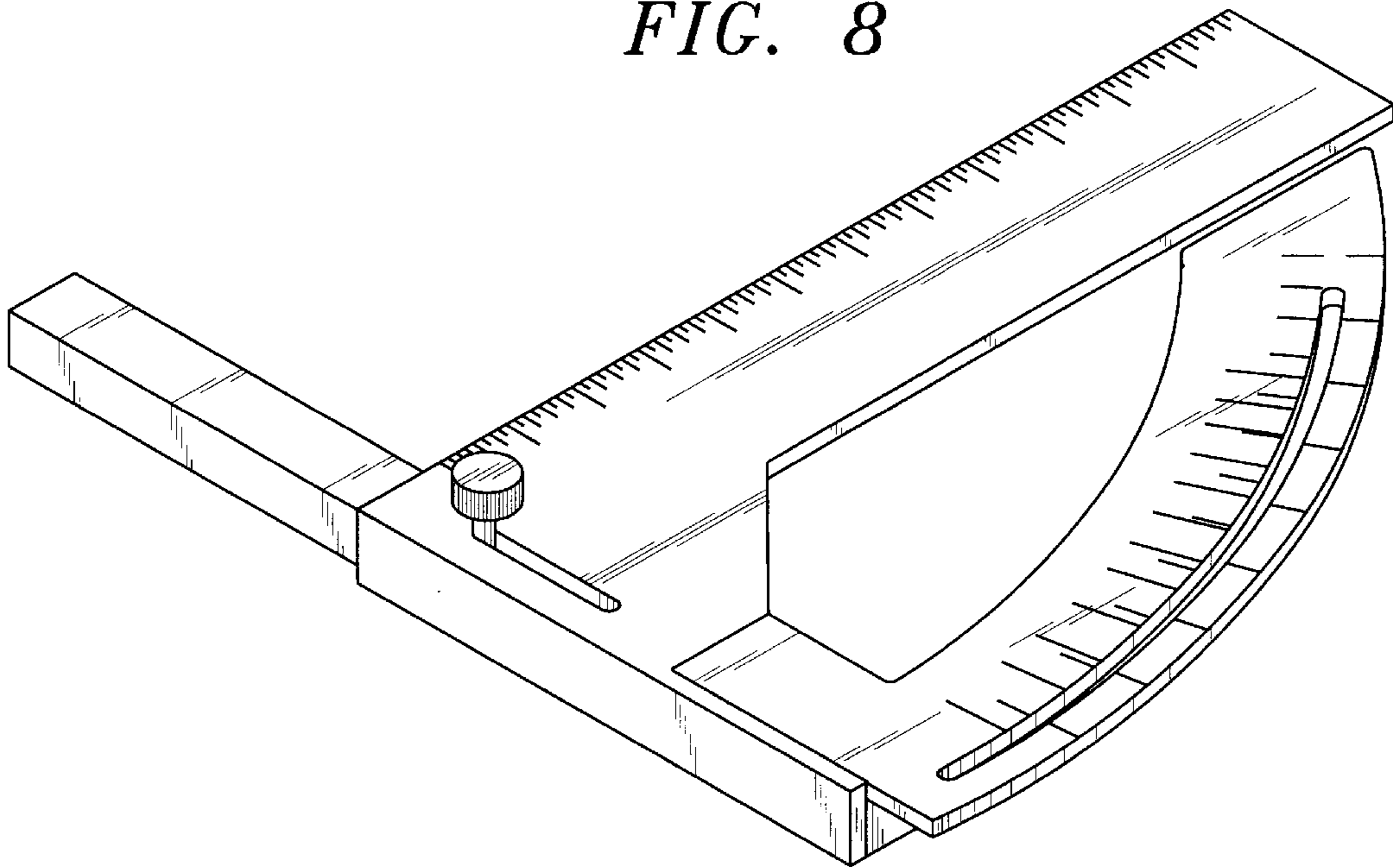


FIG. 9

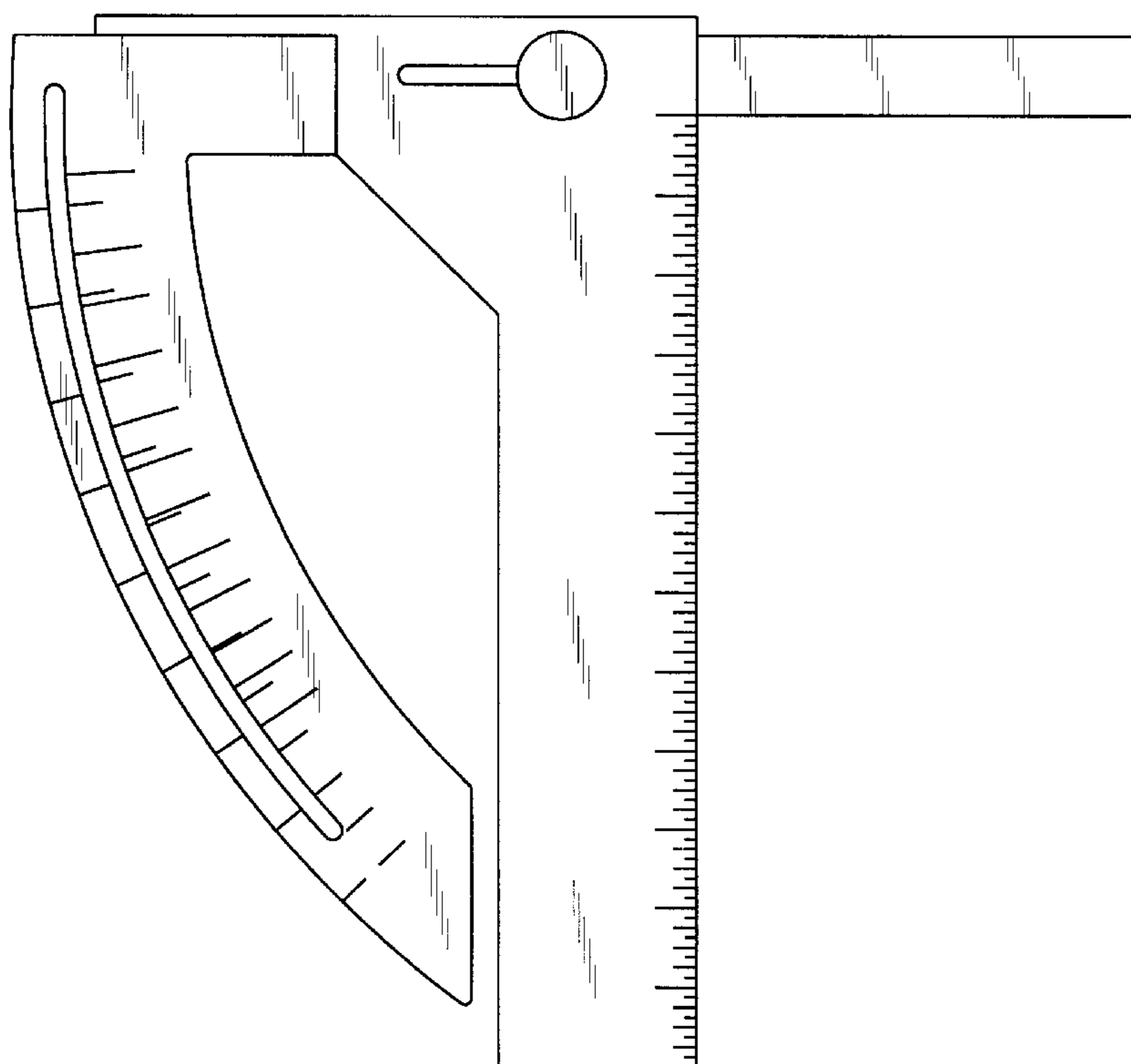
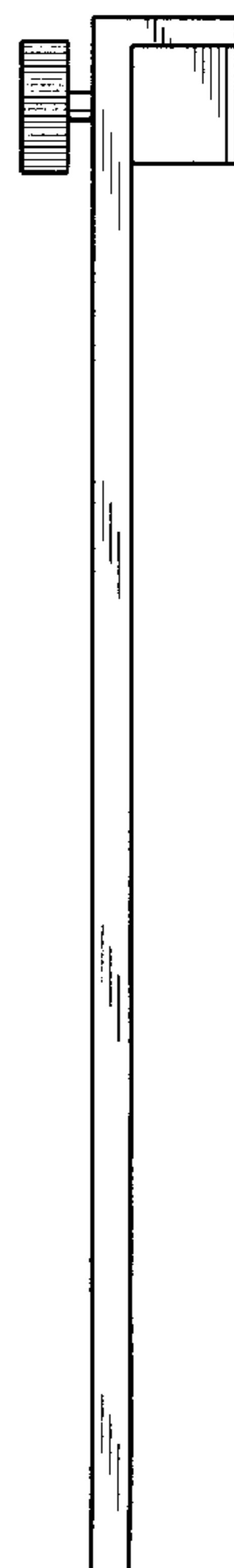


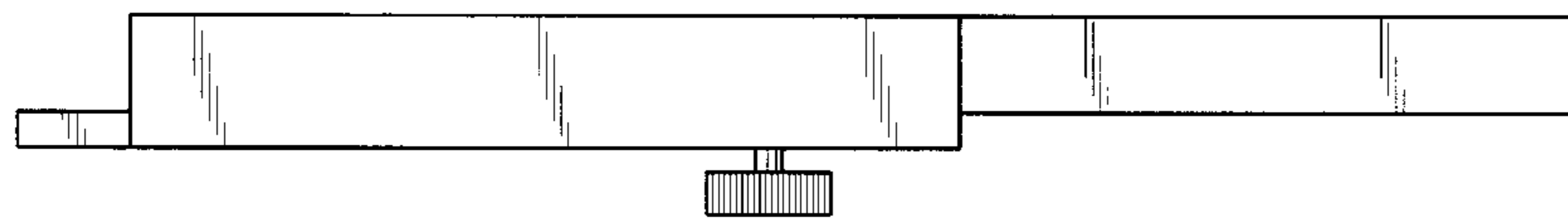
FIG. 13



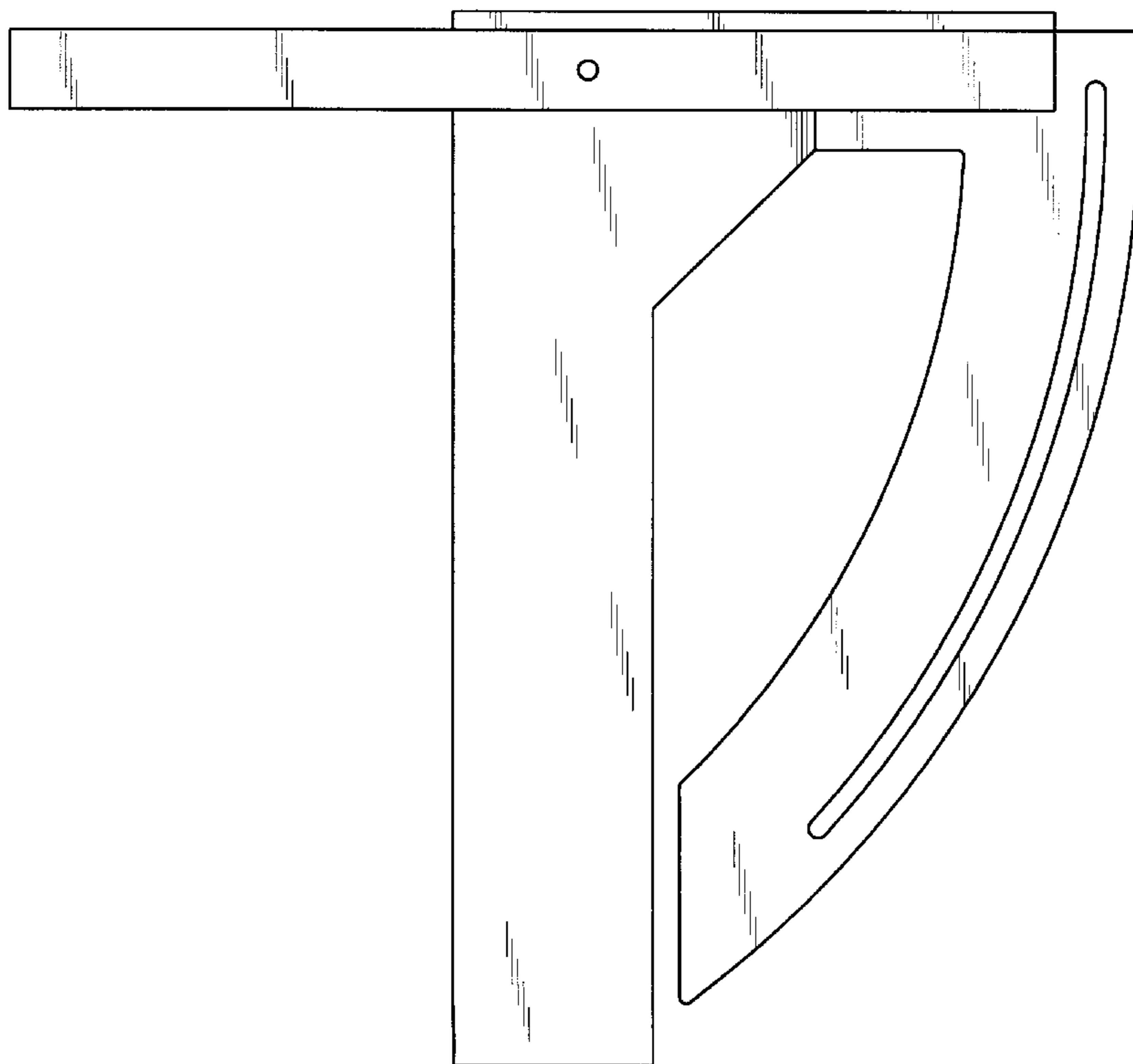
*FIG. 10*



*FIG. 11*



*FIG. 12*



*FIG. 14*

