



US00D402210S

United States Patent [19]
Kong Sang

[11] **Patent Number: Des. 402,210**
[45] **Date of Patent: **Dec. 8, 1998**

[54] **BEZEL AND CASING FOR A WATCH**

[75] Inventor: **Daniel Lai Kong Sang**, Ma On Shan, Hong Kong

[73] Assignee: **Timex Corporation**, Middlebury, Conn.

[**] Term: **14 Years**

[21] Appl. No.: **83,878**

[22] Filed: **Feb. 19, 1998**

[51] **LOC (6) Cl.** **10-02**

[52] **U.S. Cl.** **D10/30; D10/38**

[58] **Field of Search** D10/1-40, 122-132;
368/280-282, 276-277, 28-30, 285, 239-242,
82-84, 41-44

[56] **References Cited**

U.S. PATENT DOCUMENTS

D. 287,341	12/1986	Grimes	D10/30
D. 338,160	8/1993	Houlihan	.	
D. 360,589	7/1995	Houlihan	D10/30
D. 378,666	4/1997	Kujima	D10/38
D. 386,694	11/1997	Houlihan	D10/30
D. 387,998	12/1997	Ramos	D10/30
3,871,170	3/1975	Bergey	.	

OTHER PUBLICATIONS

Timex 1991 Catalog, p. 27.
Timex 1992 Catalog, p. 25.
Timex 1993 Catalog, pp. 24 & 25.

Timex 1994 Catalog, pp. 26 & 27.
Timex 1995 Catalog, pp. 36, 37, 38, 39.
Timex Split Second Sports Catalog, pp. 11, 12, 13, 14, 15.
Timex 1995 Catalog Supplement, Style Nos. 82221, 82241, 85181.
Timex 1996 Catalog pp. 32, 33, 34, 35, 36.
Timex 1997 Catalog pp. 29, 30, 31, 32, 33.
Timex Cat.—1993—p. N/A. — Item #85171 at top-right.
New York Times Magazine—Apr. 7, 1991 p. 38— Watch a bottom Rt.

Primary Examiner—Nelson C. Holtje
Attorney, Agent, or Firm—Arthur G. Schaier

[57] **CLAIM**

The ornamental design for a “bezel and casing for a watch,” as shown and described.

DESCRIPTION

FIG. 1 is a perspective view of a “bezel and casing for a watch”;
FIG. 2 is a left side elevational view thereof;
FIG. 3 is a top plan view thereof;
FIG. 4 is a right side elevational view thereof;
FIG. 5 is an end elevational view thereof;
FIG. 6 is the other end elevational view thereof; and,
FIG. 7 is a bottom plan view of the bezel and casing for a watch disclosed in FIG. 1.

1 Claim, 2 Drawing Sheets

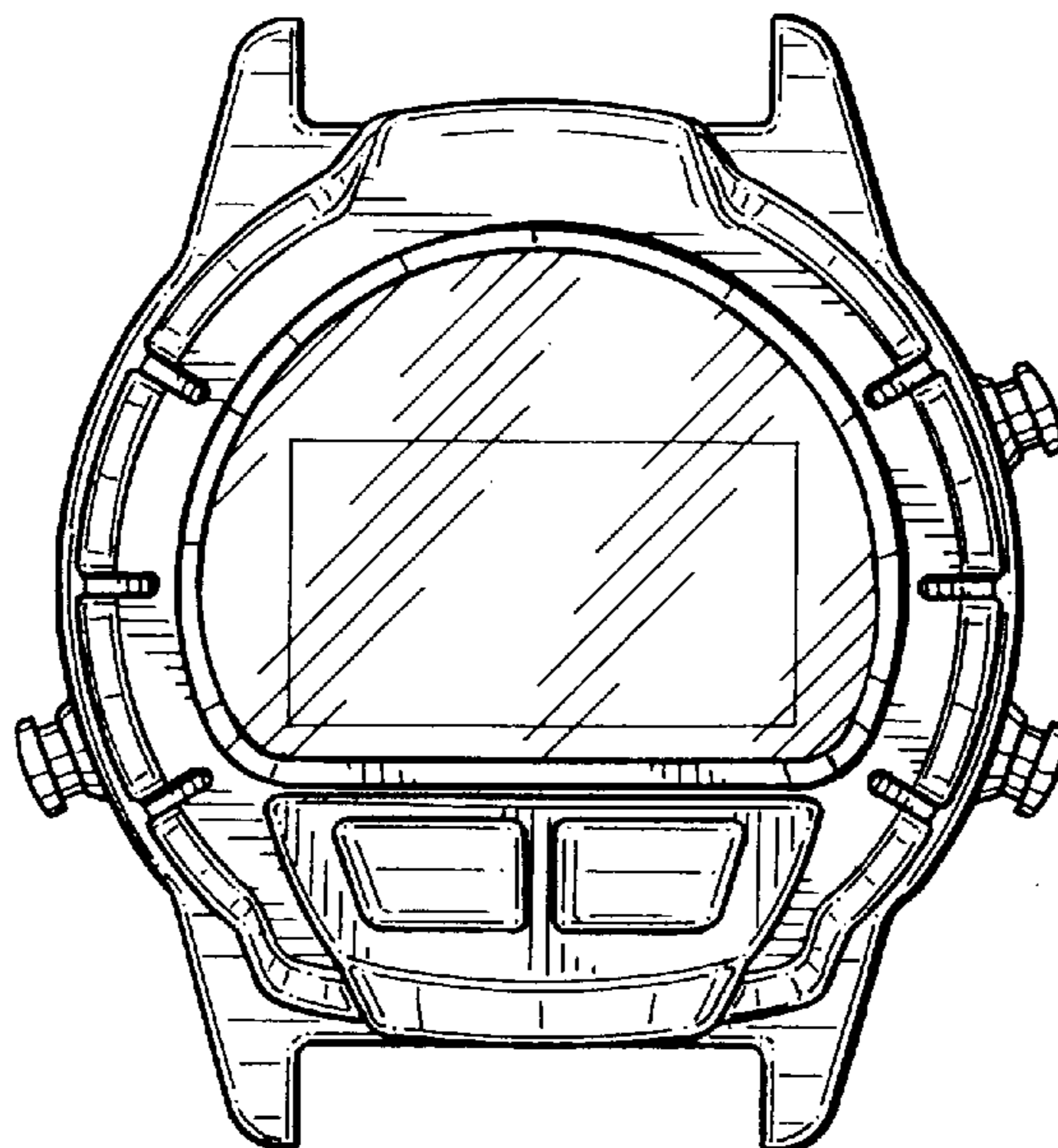


FIG. 1

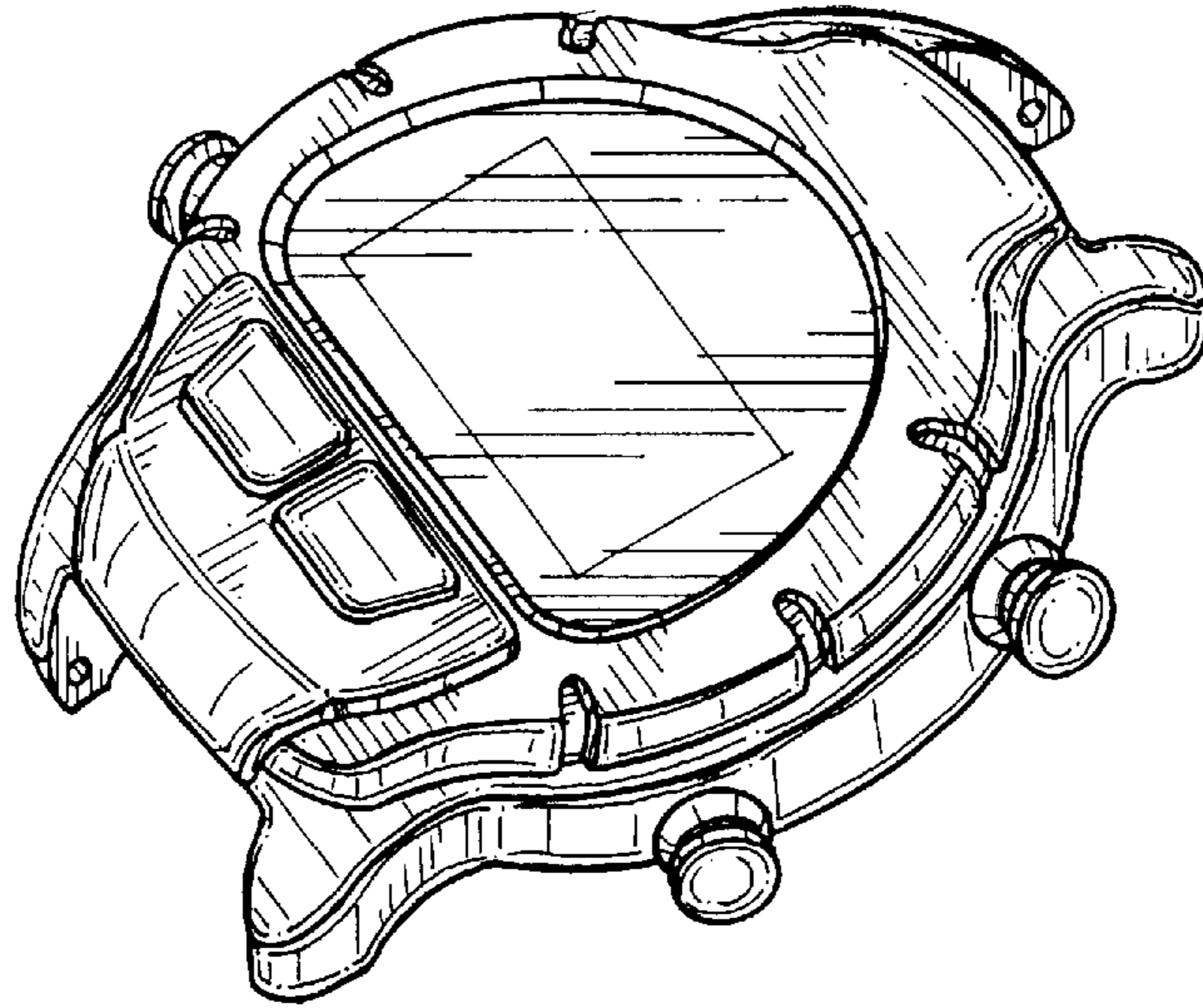


FIG. 7

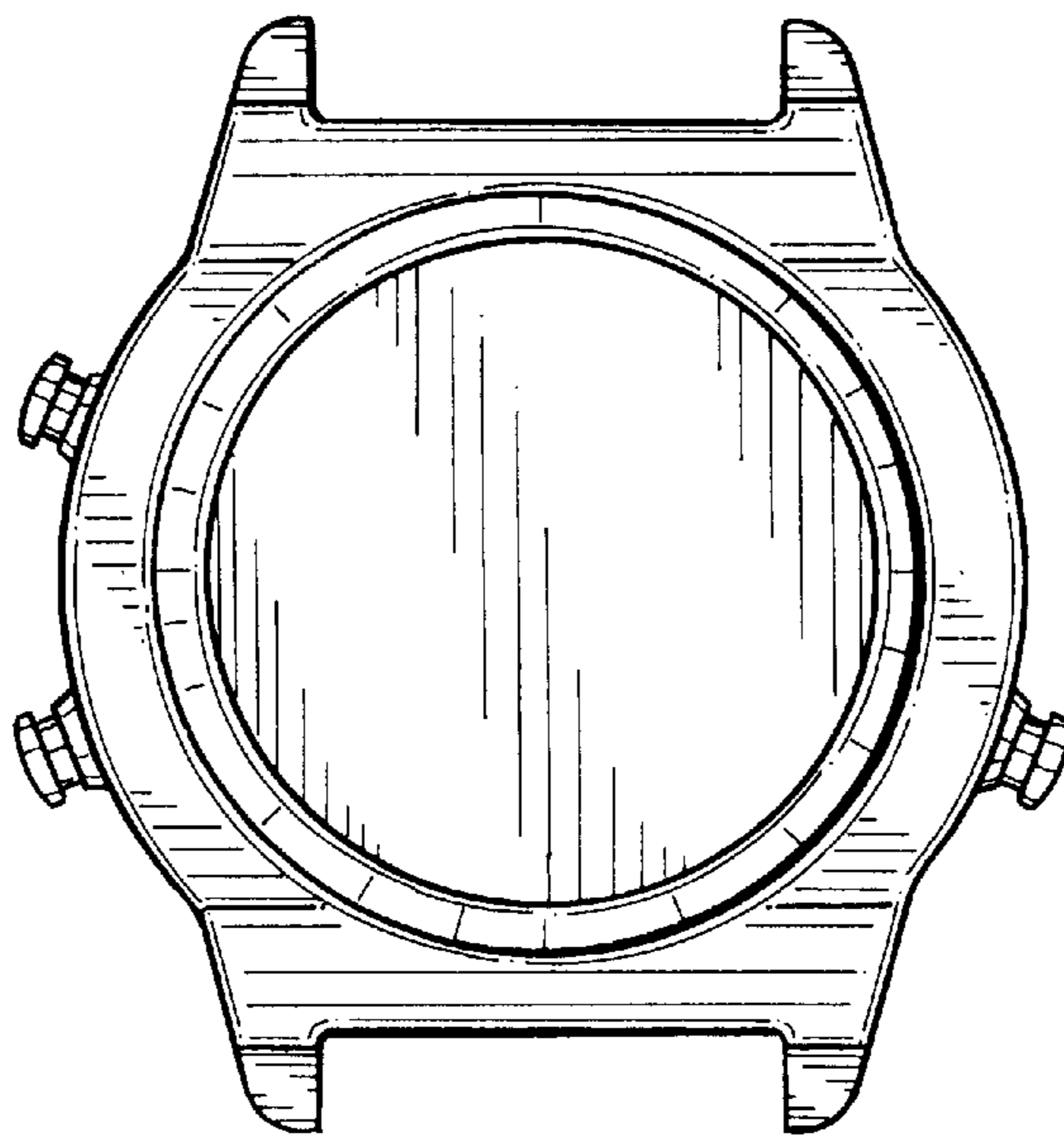


FIG. 2

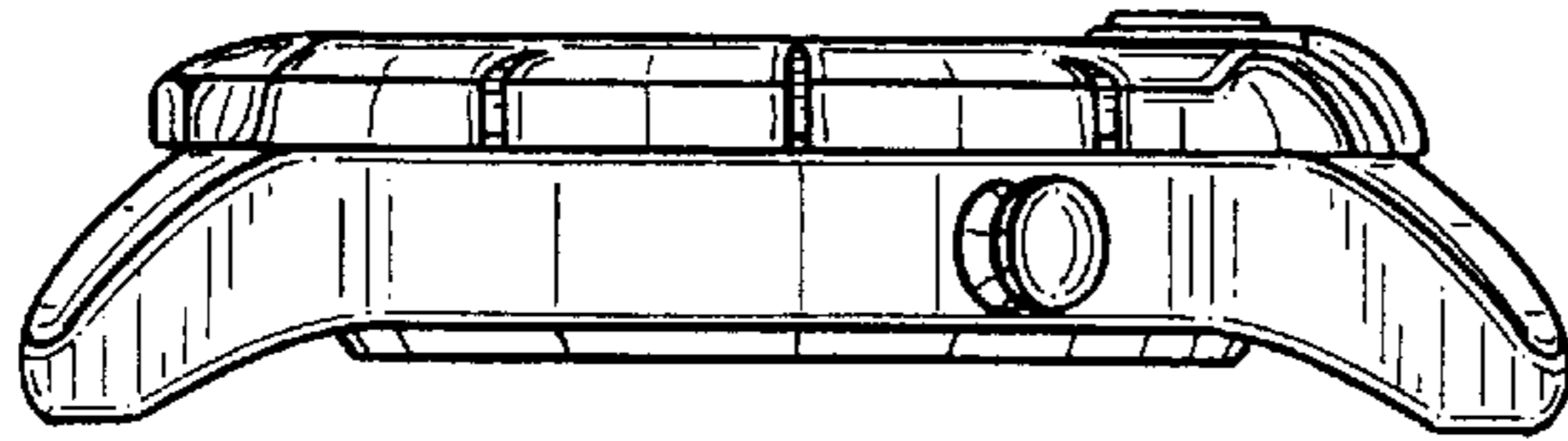


FIG. 3

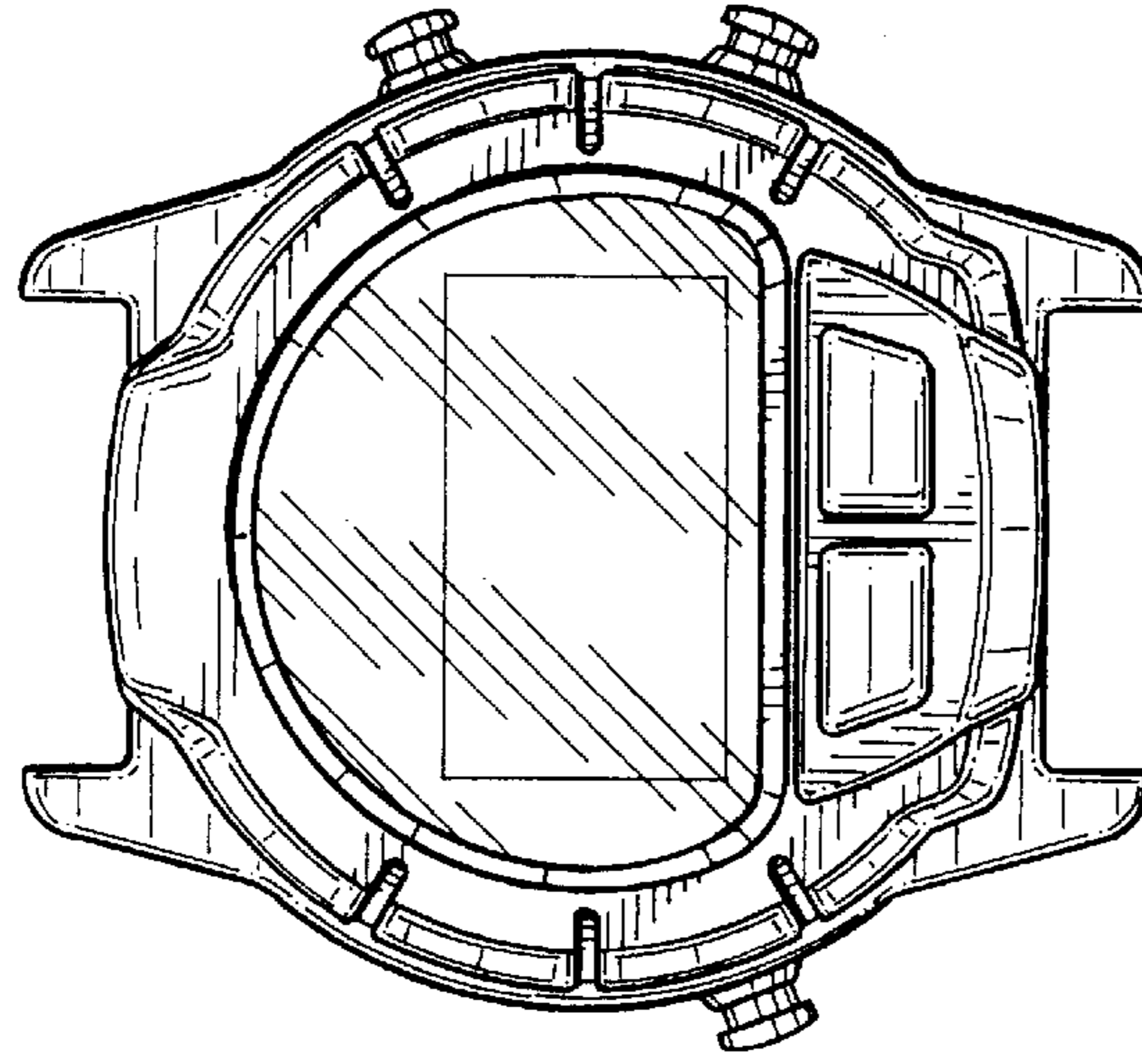


FIG. 4

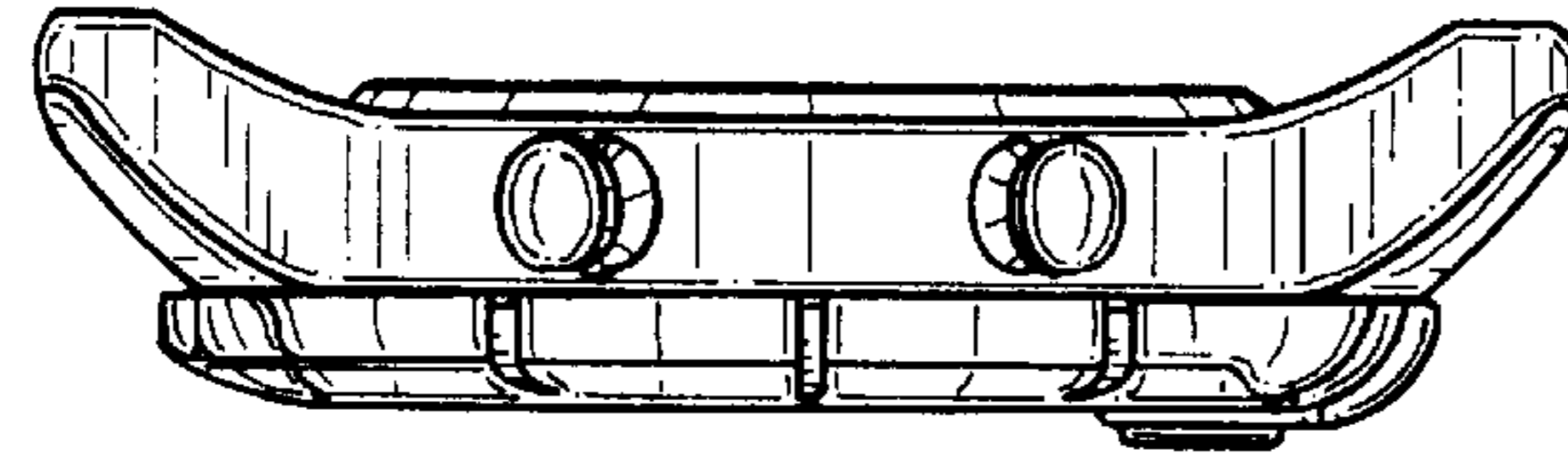


FIG. 5

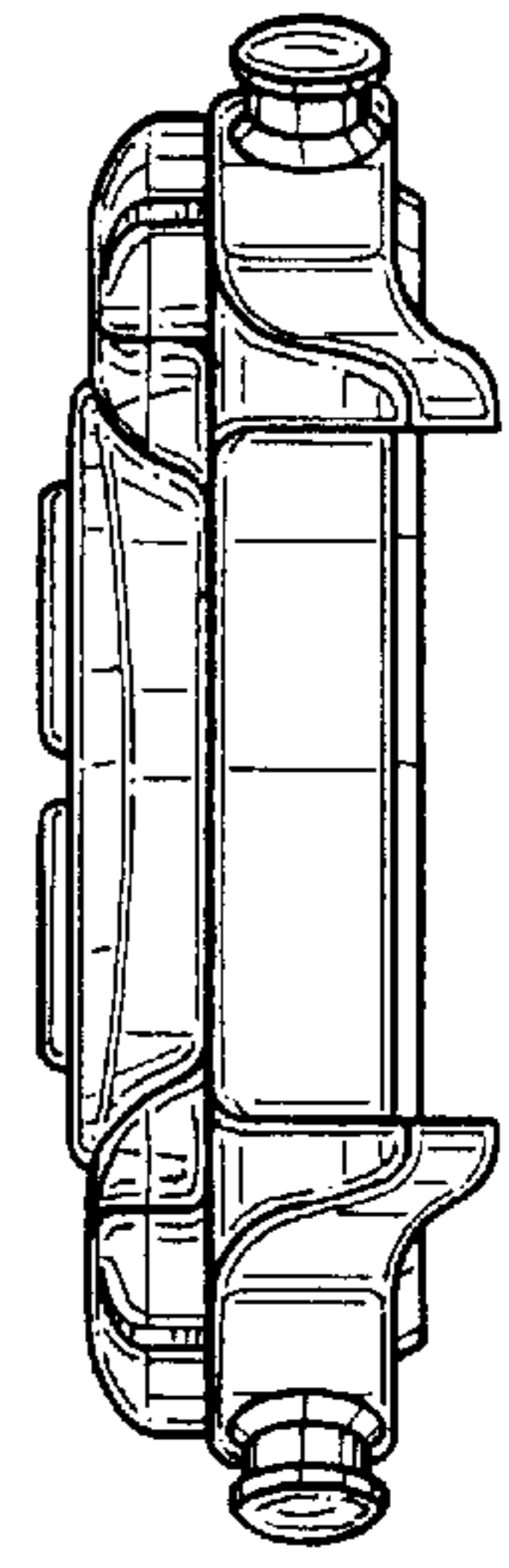


FIG. 6

