



US00D402203S

# United States Patent [19] de Laforcade

[11] Patent Number: **Des. 402,203**

[45] Date of Patent: **\*\*\*Dec. 8, 1998**

[54] **SPRAY UNIT**

[75] Inventor: **Vincent de Laforcade**, Rambouillet, France

[73] Assignee: **L'Oreal**, Paris, France

[\*] Notice: The term of this patent shall not extend beyond the expiration date of Pat. No. D. 401,150.

[\*\*] Term: **14 Years**

[21] Appl. No.: **61,226**

[22] Filed: **Oct. 18, 1996**

[30] **Foreign Application Priority Data**

Apr. 19, 1996 [XH] Hague Agreement ..... DM/036 202

[51] **LOC (6) Cl.** ..... **09-07**

[52] **U.S. Cl.** ..... **D9/448**

[58] **Field of Search** ..... D9/300, 338, 434, D9/435, 440, 444, 445, 447, 448, 449, 454, 504; 220/780, 784, 915; 222/402.1, 402.12, 402.13

[56] **References Cited**

**U.S. PATENT DOCUMENTS**

D. 281,764 12/1985 Legrottaglie ..... D9/504

|            |         |                  |       |              |
|------------|---------|------------------|-------|--------------|
| D. 308,474 | 6/1990  | Seager           | ..... | D9/300       |
| D. 322,392 | 12/1991 | Schneider et al. | ..... | D9/300       |
| D. 327,003 | 6/1992  | Schneider et al. | ..... | D9/300       |
| 3,308,857  | 3/1967  | McGhie           | ..... | 220/915 X    |
| 4,711,375  | 12/1987 | Mader et al.     | ..... | 222/402.13 X |
| 4,732,303  | 3/1988  | Wang             | ..... | 222/536 X    |
| 5,460,300  | 10/1995 | Tritsch          | ..... | 222/402.1 X  |

*Primary Examiner*—James Gandy  
*Assistant Examiner*—Cathron B. Matta  
*Attorney, Agent, or Firm*—Baker & Botts, L.L.P.

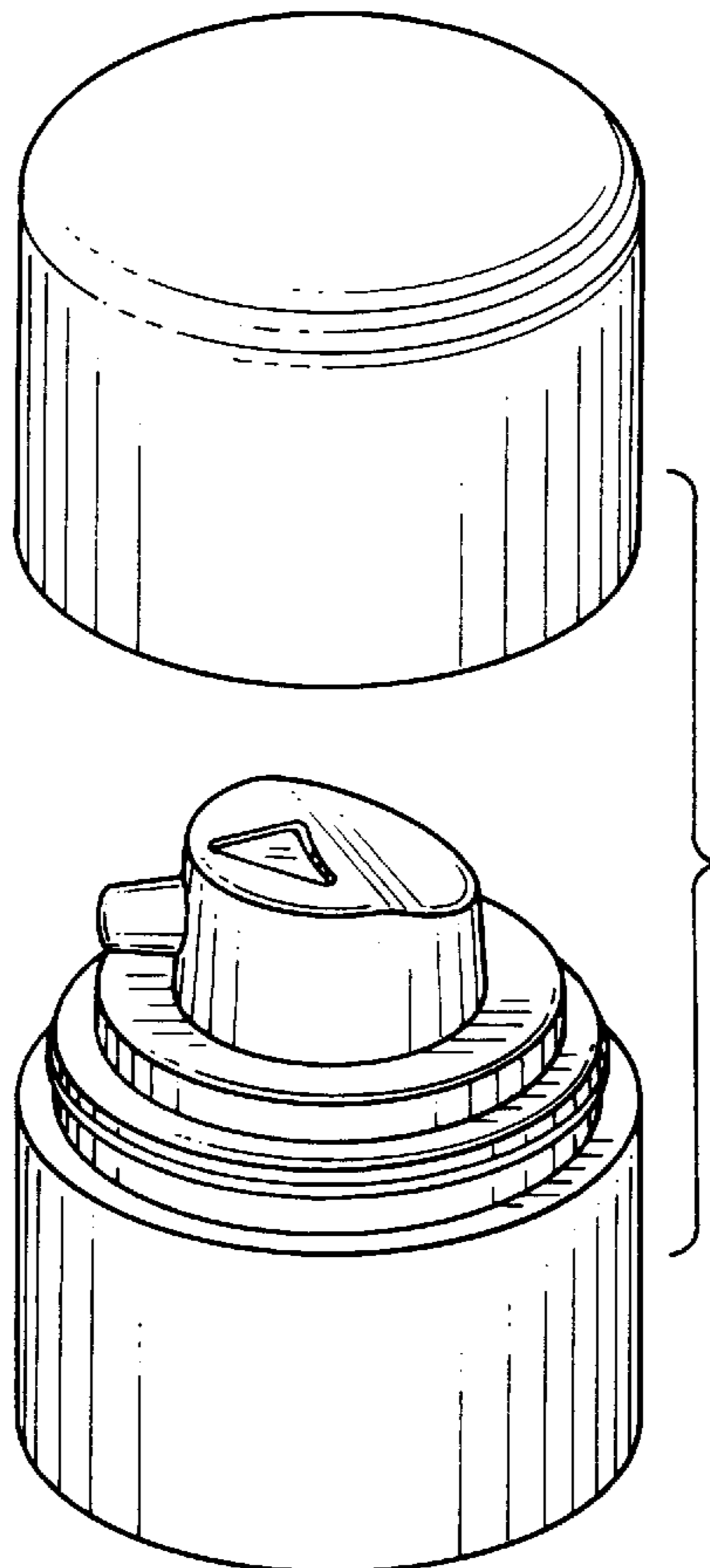
[57] **CLAIM**

The ornamental design for a spray unit, as shown and described.

**DESCRIPTION**

FIG. 1 is a front view of the spray unit of the present invention shown without the cover;  
FIG. 2 is a rear view thereof;  
FIG. 3 is a left side view thereof;  
FIG. 4 is a right side view thereof;  
FIG. 5 is a top view thereof;  
FIG. 6 is a bottom view thereof; and,  
FIG. 7 is a perspective view of the spray unit of the present invention, shown at a reduced scale showing the cover removed from the body of the spray unit.  
The opposite side of the cover is a mirror image of that shown.

**1 Claim, 2 Drawing Sheets**



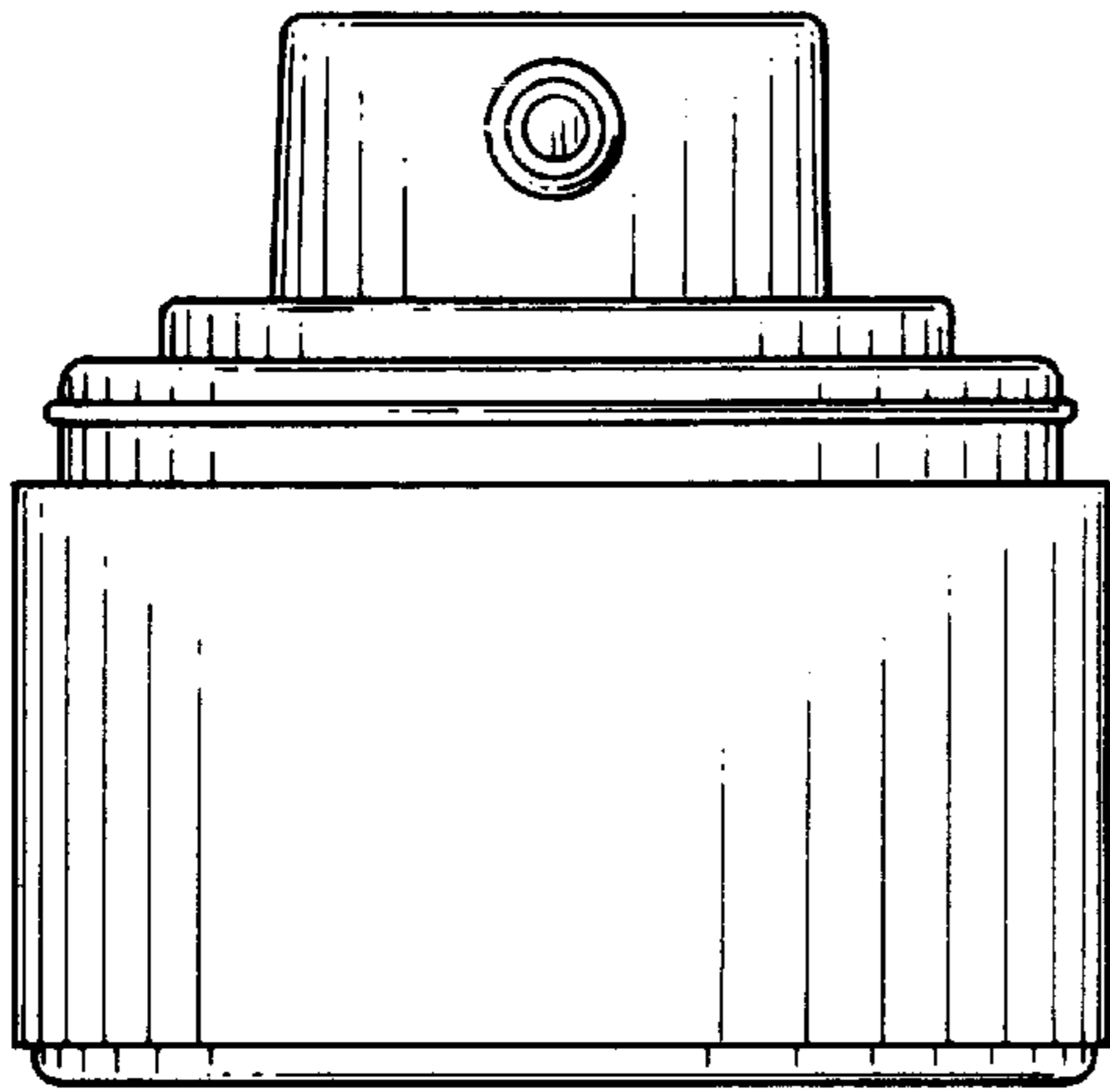


FIG. 1

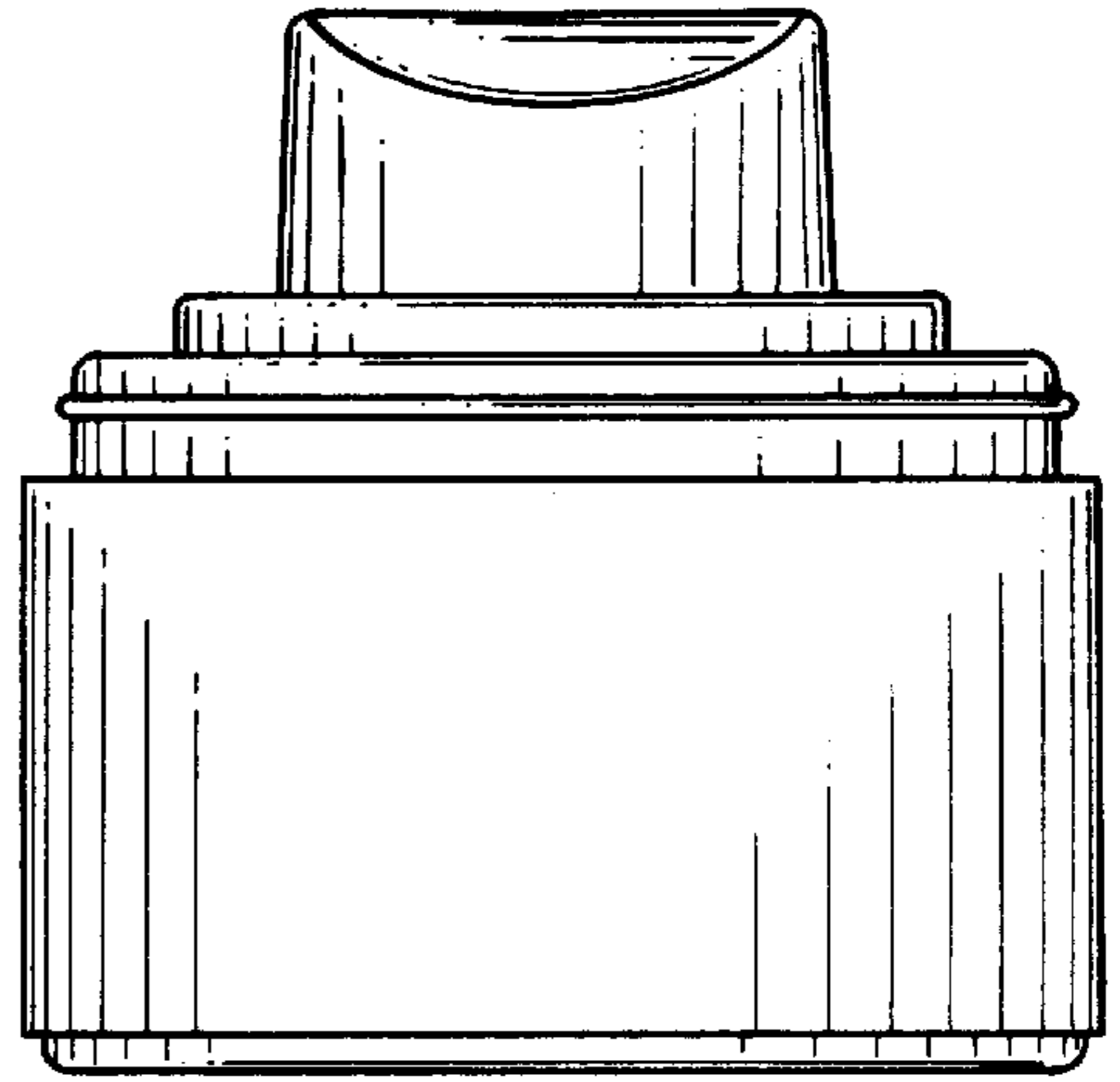


FIG. 2

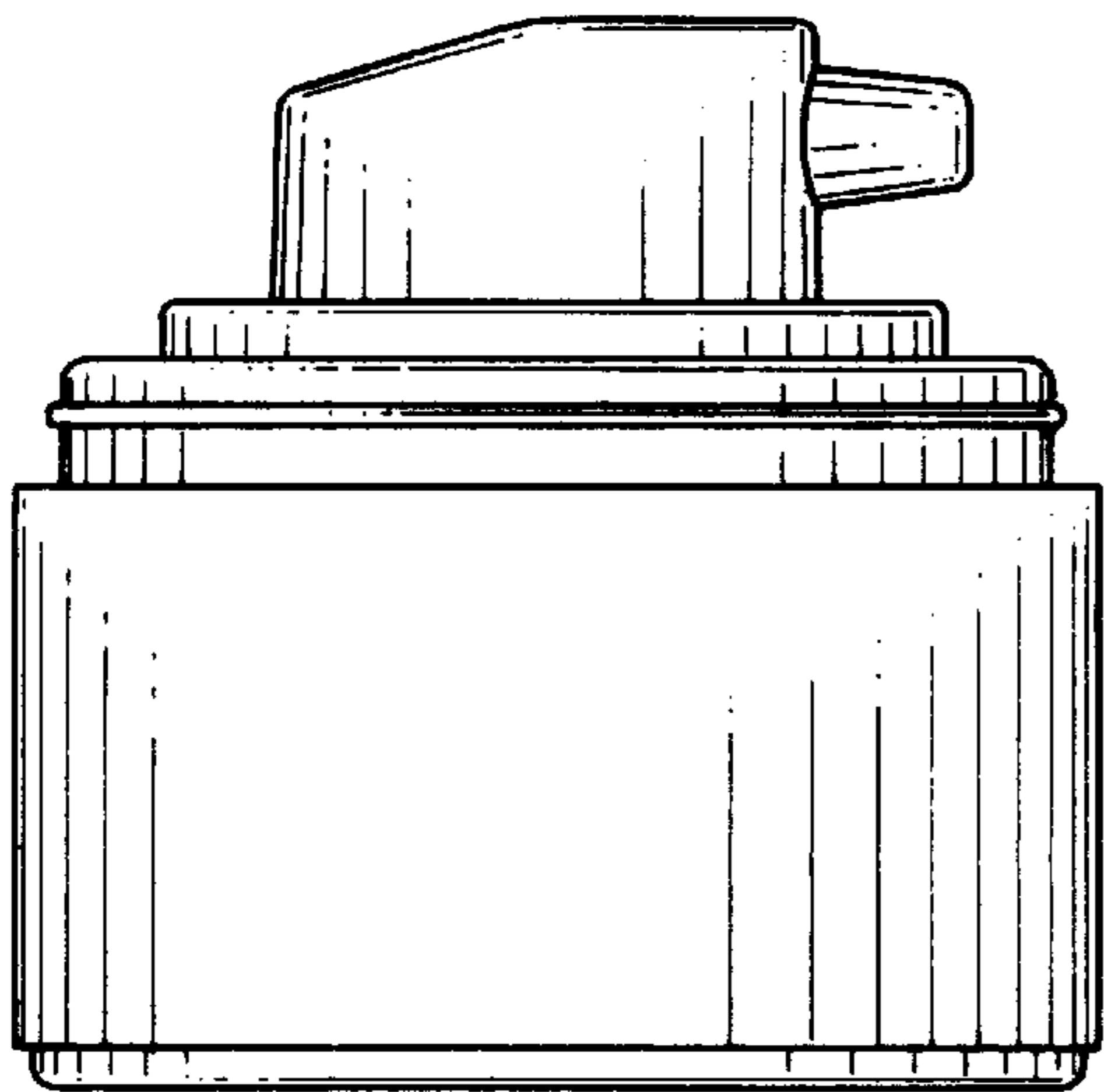


FIG. 3

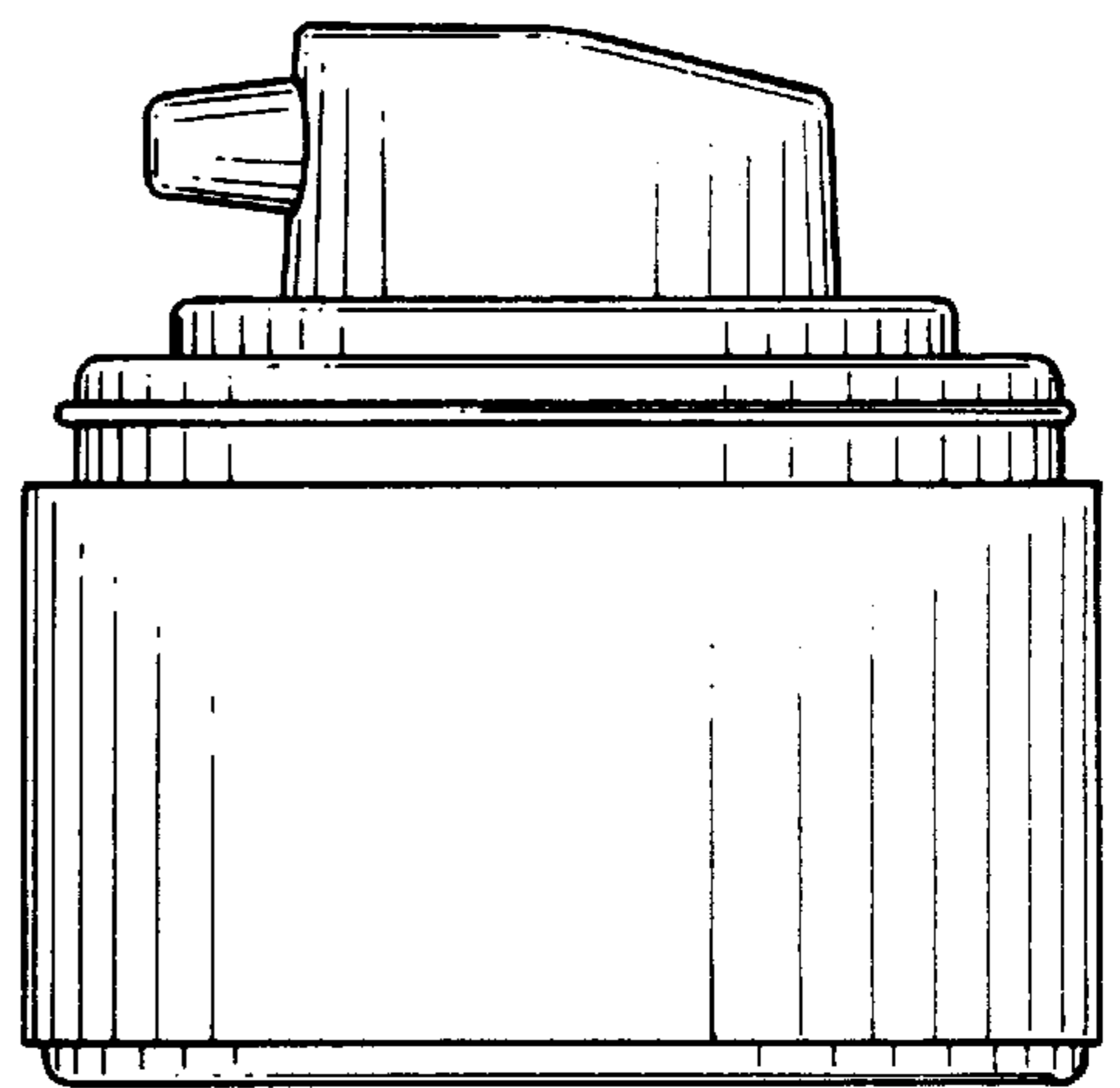


FIG. 4

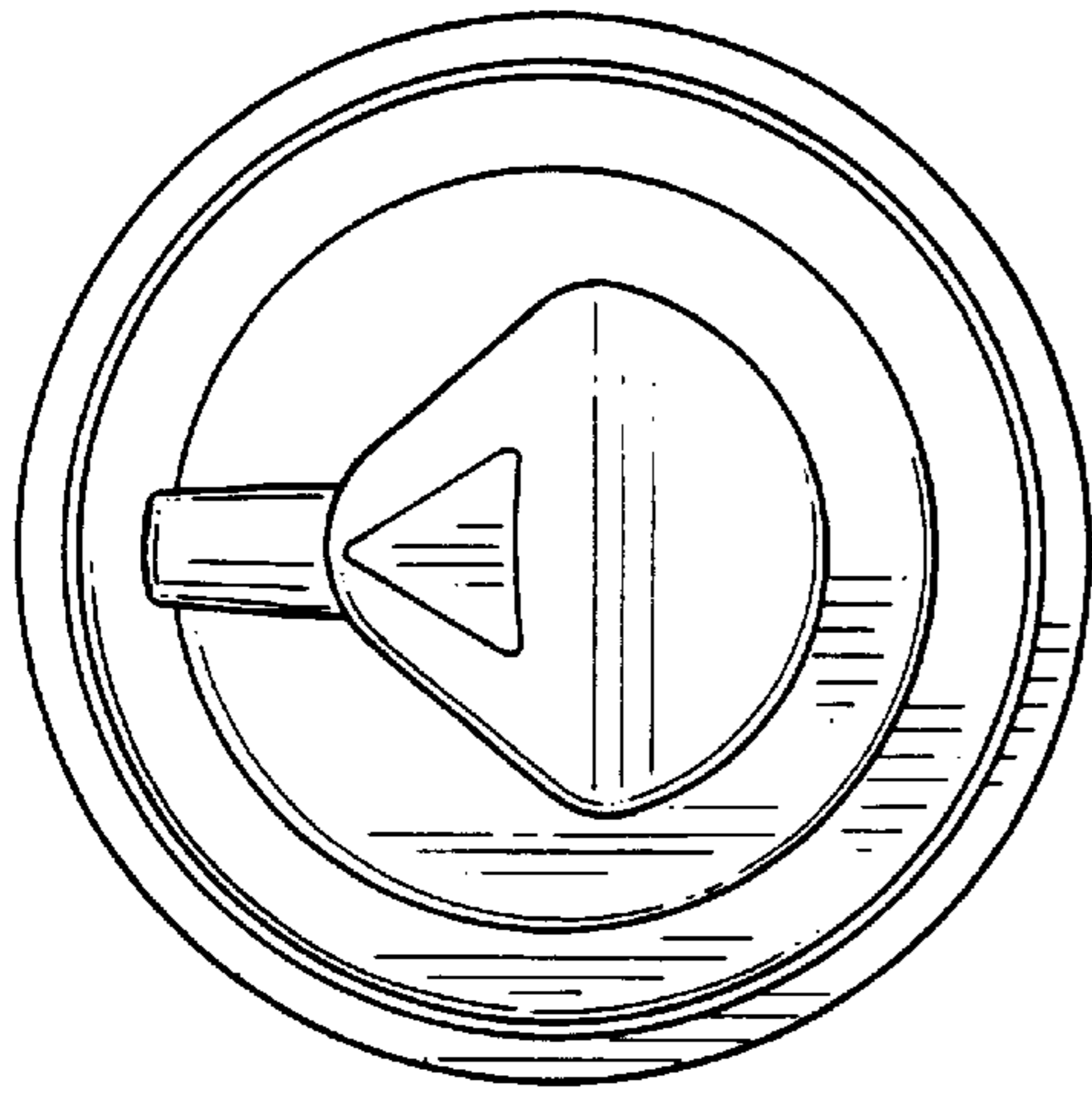


FIG. 5

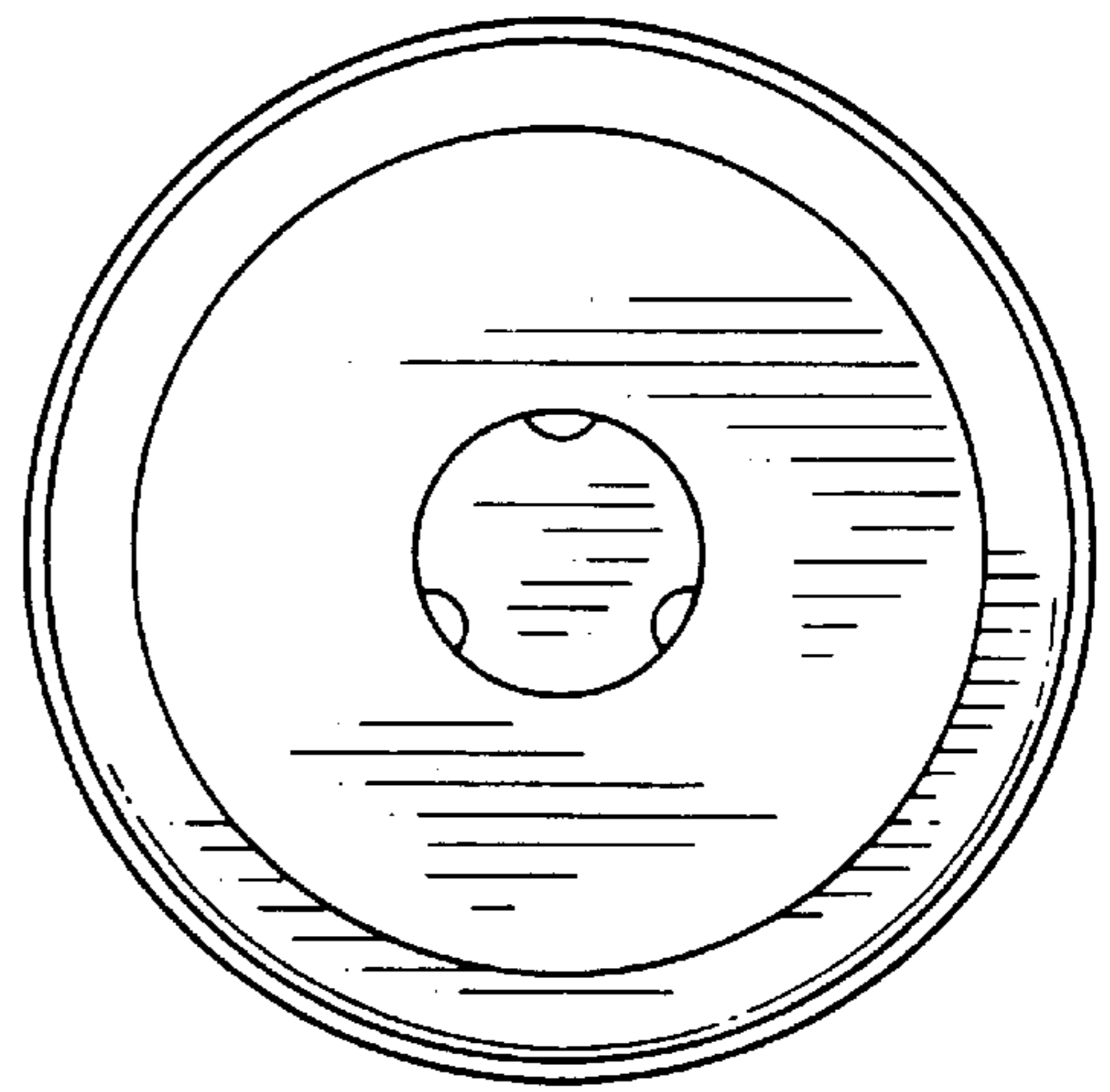


FIG. 6

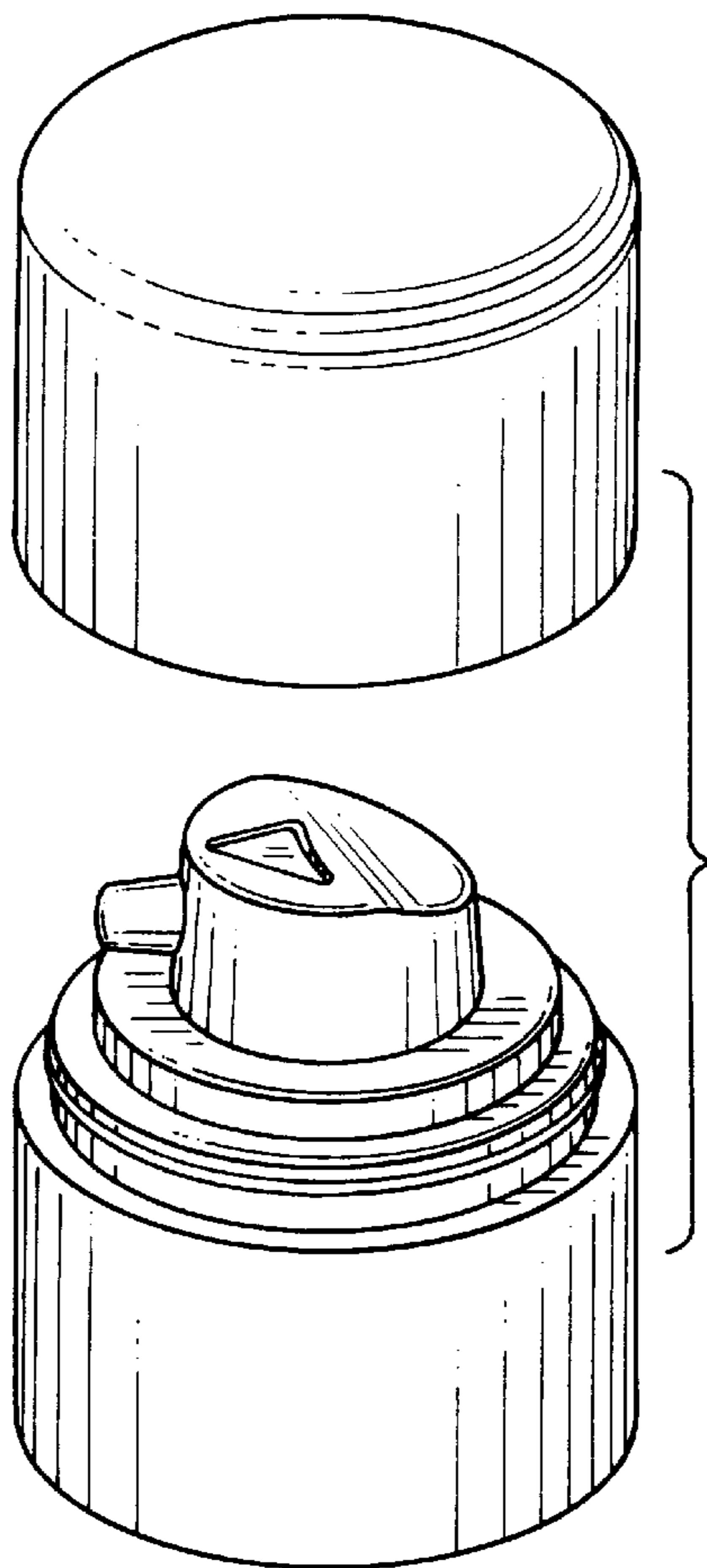


FIG. 7