



US00D402202S

United States Patent [19]

Sherman et al.

[11] Patent Number: **Des. 402,202**

[45] Date of Patent: ****Dec. 8, 1998**

[54] **CAP CLOSURE**

[75] Inventors: **Adam Sherman**, Brooklyn, N.Y.;
James C. McKinney, Cranbury;
George J. Neveras, Kendall, both of
N.J.

[73] Assignee: **Colgate-Palmolive Company**, New
York, N.Y.

[**] Term: **14 Years**

[21] Appl. No.: **41,501**

[22] Filed: **Mar. 27, 1995**

Related U.S. Application Data

[63] Continuation of Ser. No. 800,389, Nov. 27, 1991, abandoned.

[51] **LOC (6) Cl.** **09-07**

[52] **U.S. Cl.** **D9/147**

[58] **Field of Search** D9/434-6, 444-50,
D9/452-4; 215/224, 235-6; 222/153

[56] References Cited

U.S. PATENT DOCUMENTS

D. 193,121	6/1962	Wickman	D9/447	X
D. 200,182	1/1965	Crowell et al.	D9/448	
D. 212,463	10/1968	Vanderhyde	D9/452	X
D. 223,900	6/1972	Douglas et al.	D9/446	
D. 265,060	6/1982	Blank	D9/449	X
D. 314,147	1/1991	Davis	D9/446	
D. 350,482	9/1994	Hu et al.	D9/447	
3,107,035	10/1963	Cholet	D9/447	X
3,741,447	6/1973	Miles et al.	D9/450	X
4,193,519	3/1980	Dubach	222/111	
4,236,653	12/1980	Gach	222/153	
4,377,247	3/1983	Hazard et al.	222/517	

4,739,906	4/1988	Lo Turco	222/153	
4,854,473	8/1989	Dubach	215/235	X
4,911,324	3/1990	Dubach	220/339	
5,007,555	4/1991	Beck	220/339	
5,143,234	9/1992	Lohrman et al.	215/235	

FOREIGN PATENT DOCUMENTS

2224309	5/1990	United Kingdom	220/339	
---------	--------	----------------	-------	---------	--

OTHER PUBLICATIONS

Polytop Dispensing Closures ad, Package Engineering, Apr. 1981, p. 120.

Primary Examiner—James Gandy
Assistant Examiner—Robert M. Spear
Attorney, Agent, or Firm—Michael J. McGreal

[57] CLAIM

The ornamental design for a cap closure, as shown and described.

DESCRIPTION

FIG. 1 is a front top perspective view of a cap closure, showing our new design;
FIG. 2 is a left side elevational view thereof;
FIG. 3 is a front elevational view thereof, the rear elevational view being a mirror image thereof;
FIG. 4 is a top plan view thereof;
FIG. 5 is a front top perspective view thereof, showing the cap closure in a closed configuration;
FIG. 6 is a right side elevational view of the closure of FIG. 1; and,
FIG. 7 is a right side elevational view thereof, showing the cap closure in a closed configuration.
The broken line showing of a tapered spout and a container tube is for illustrative purposes only and forms no part of the claimed design.

1 Claim, 6 Drawing Sheets

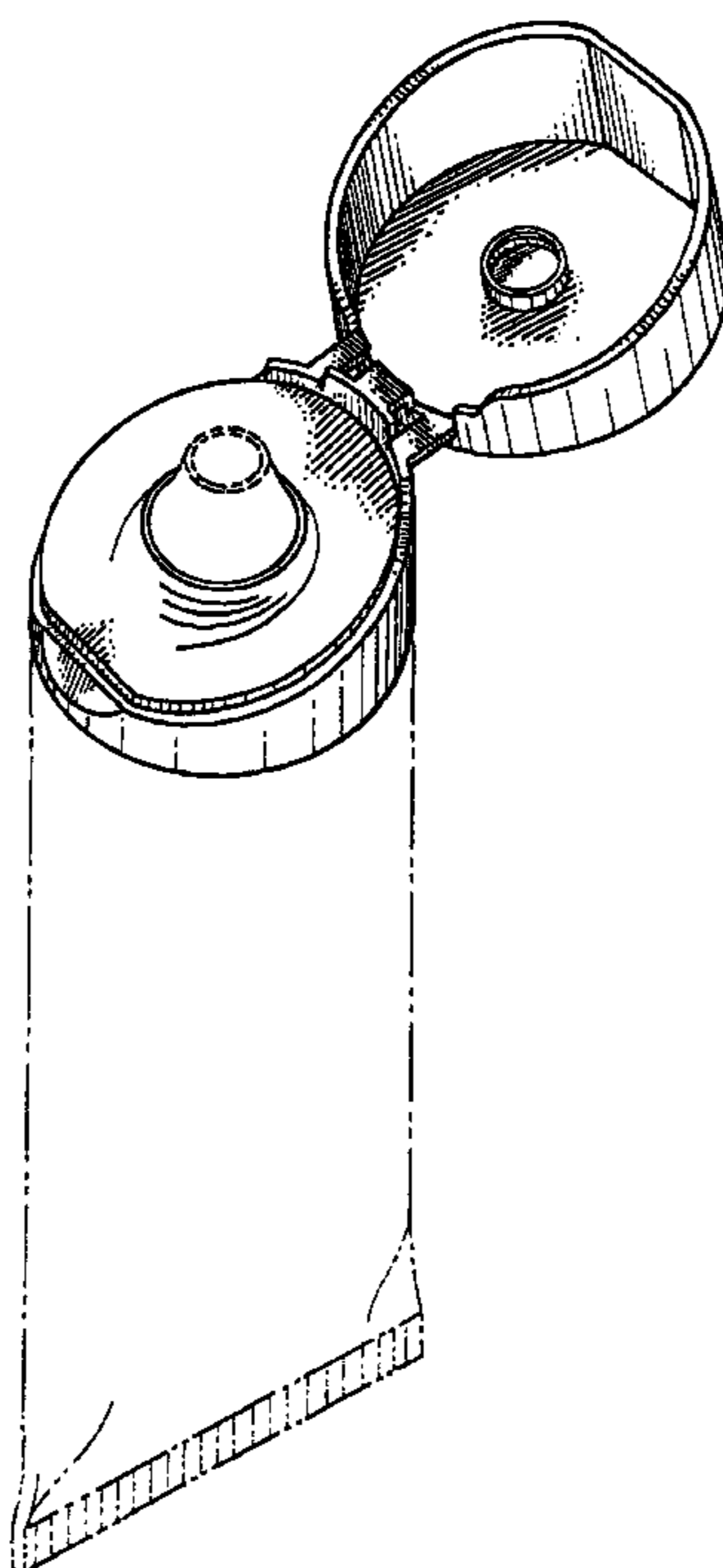


FIG. 1

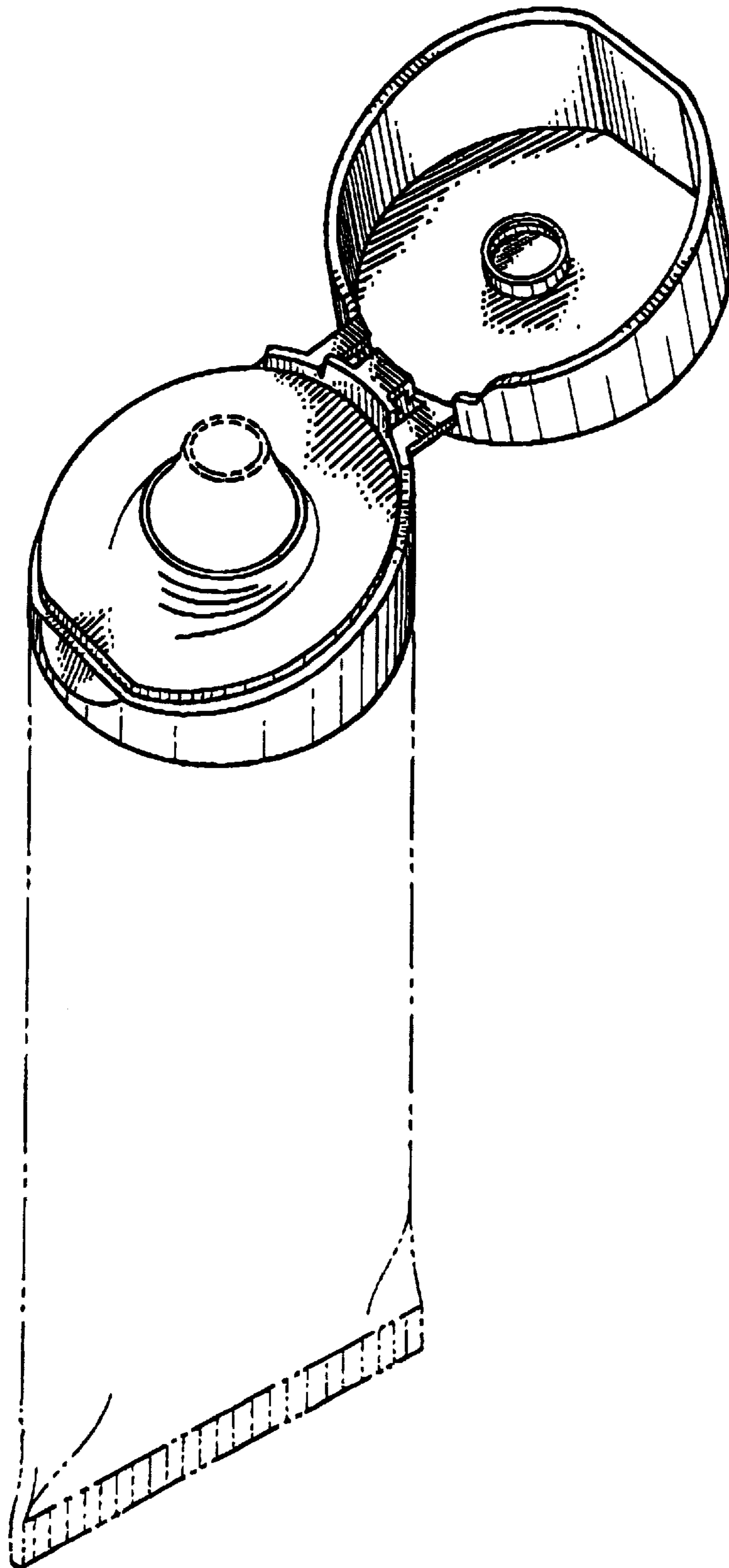


FIG. 2

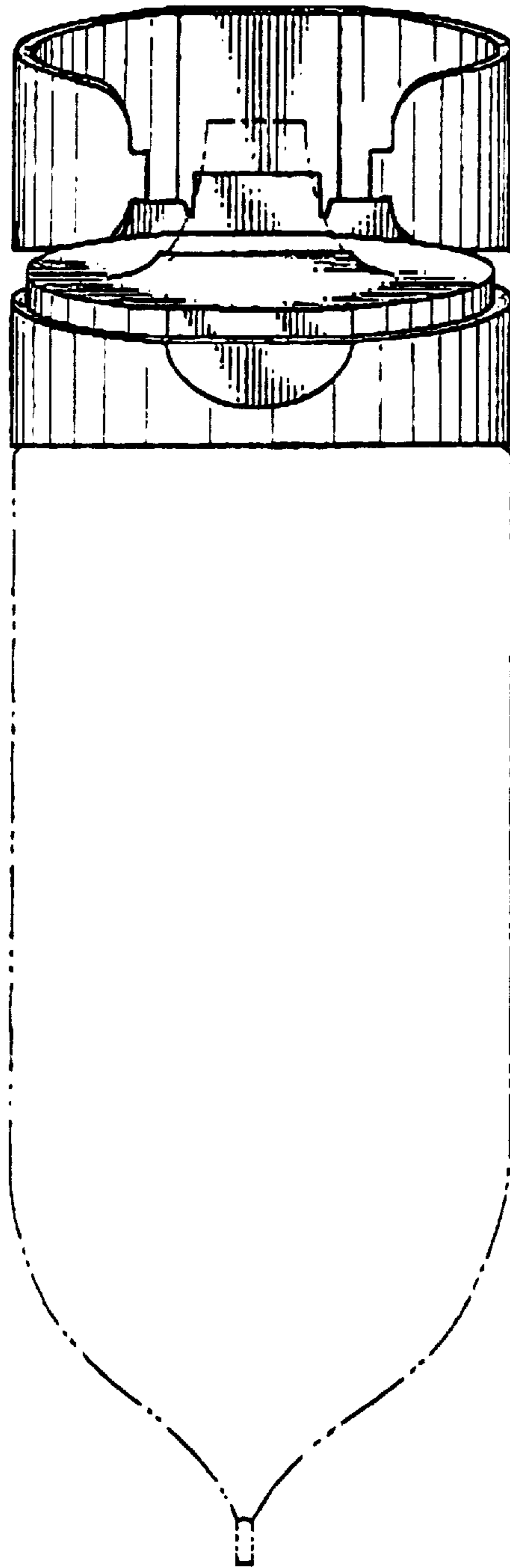


FIG. 3

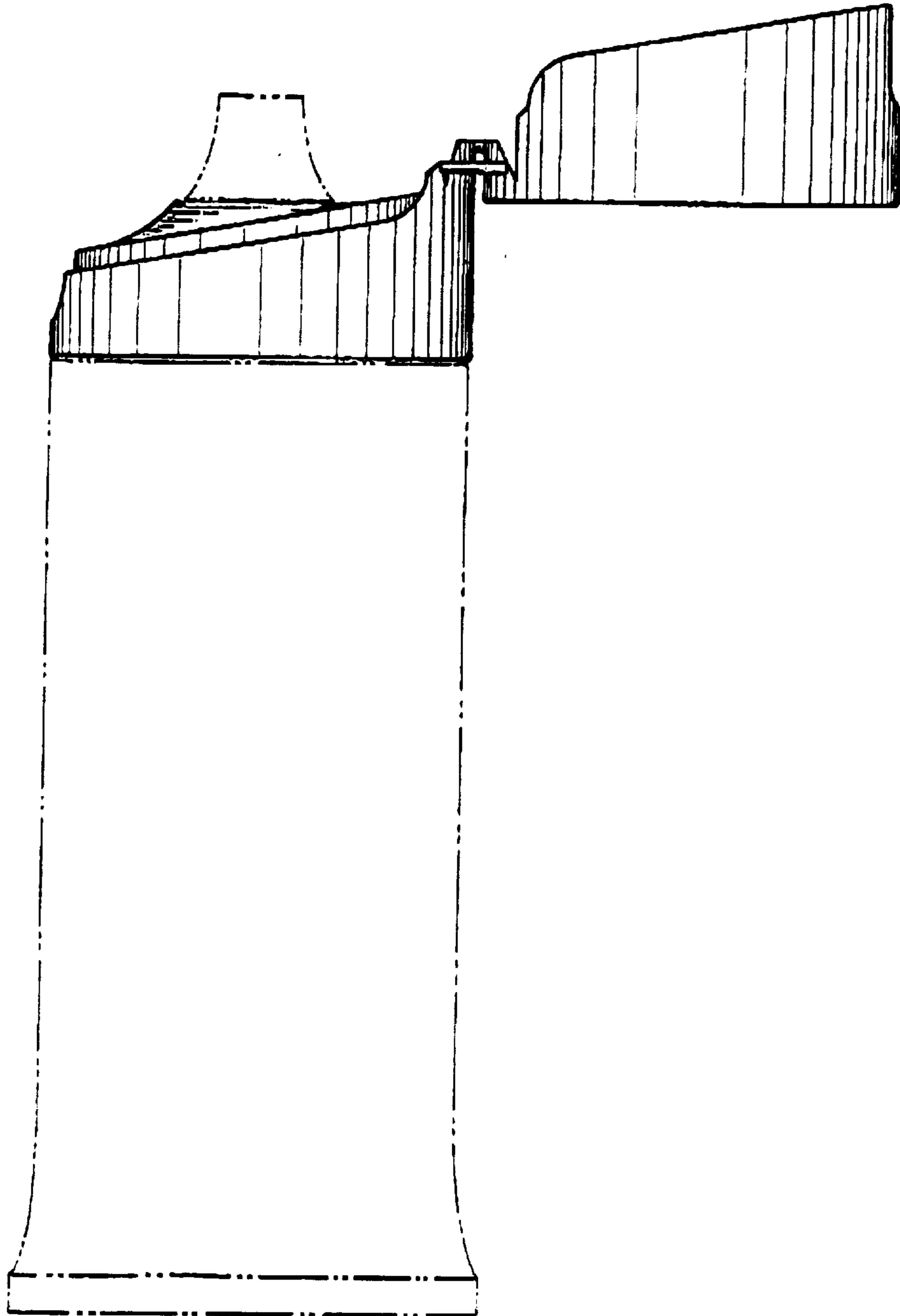


FIG. 4

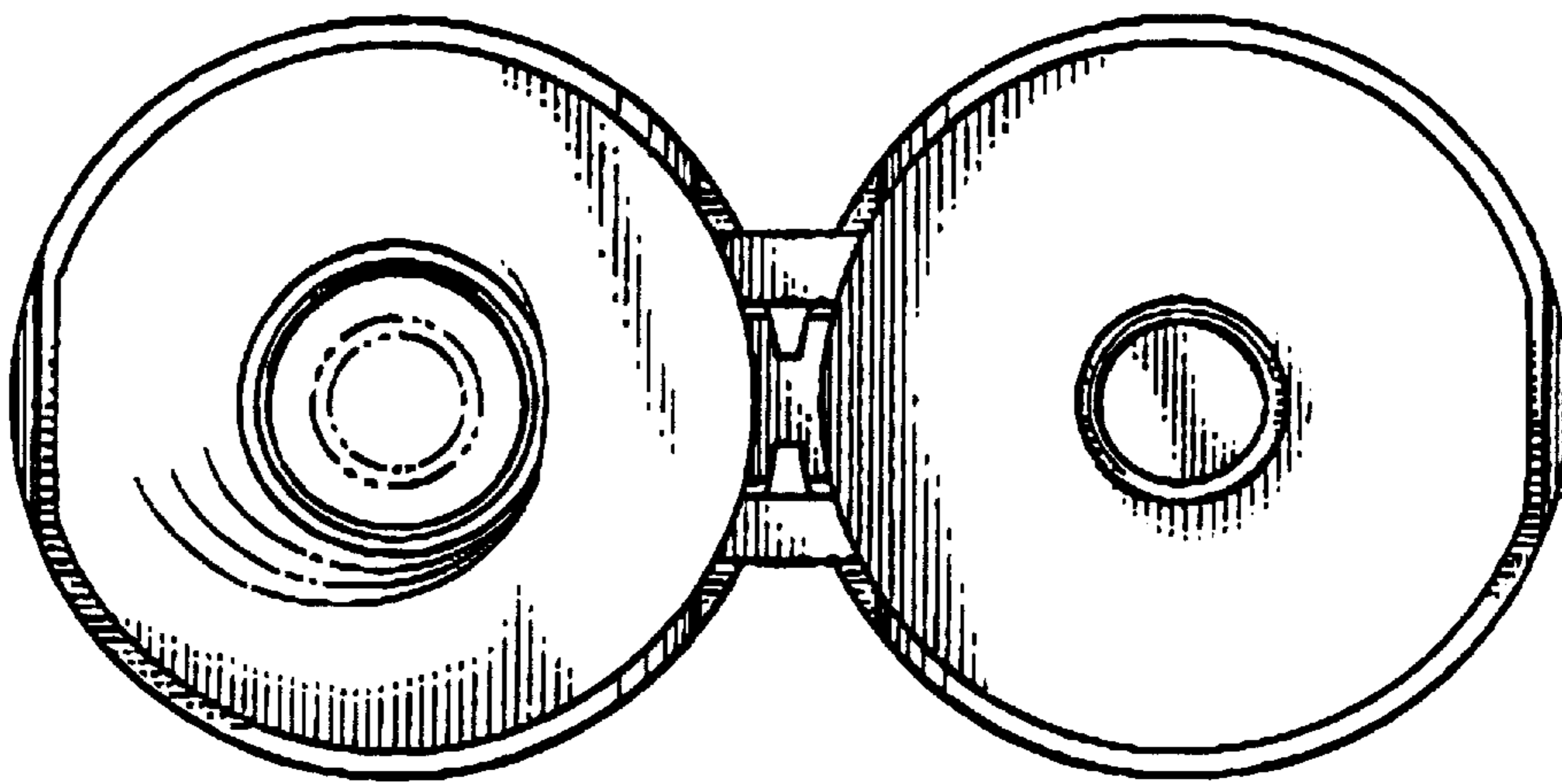


FIG. 5

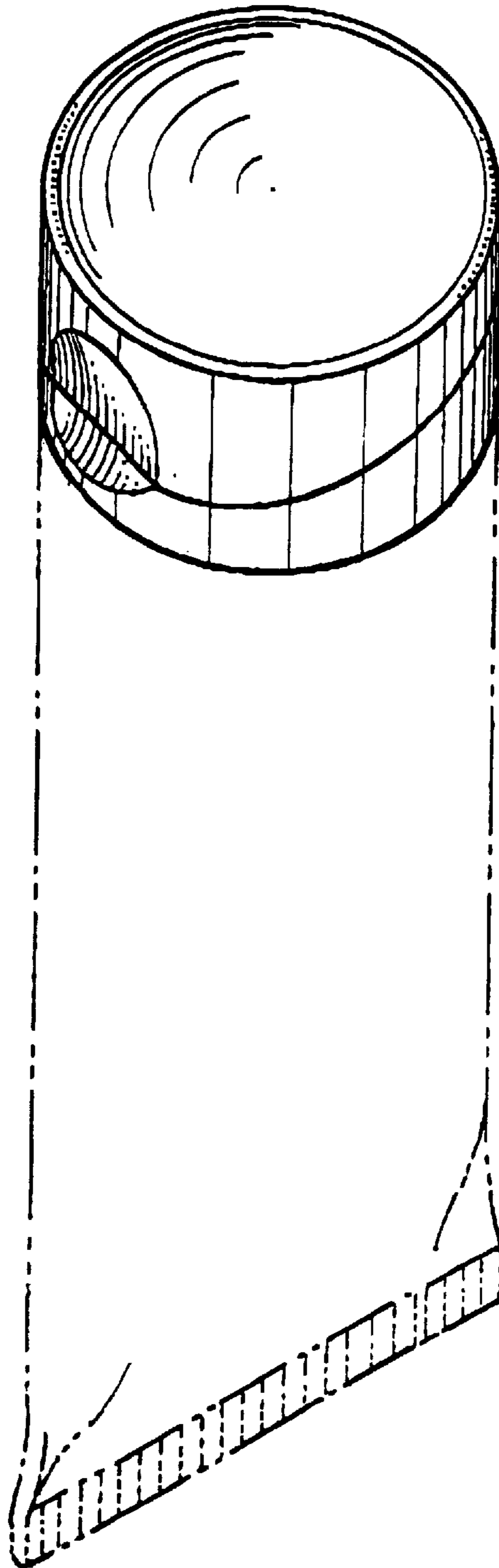


FIG. 6

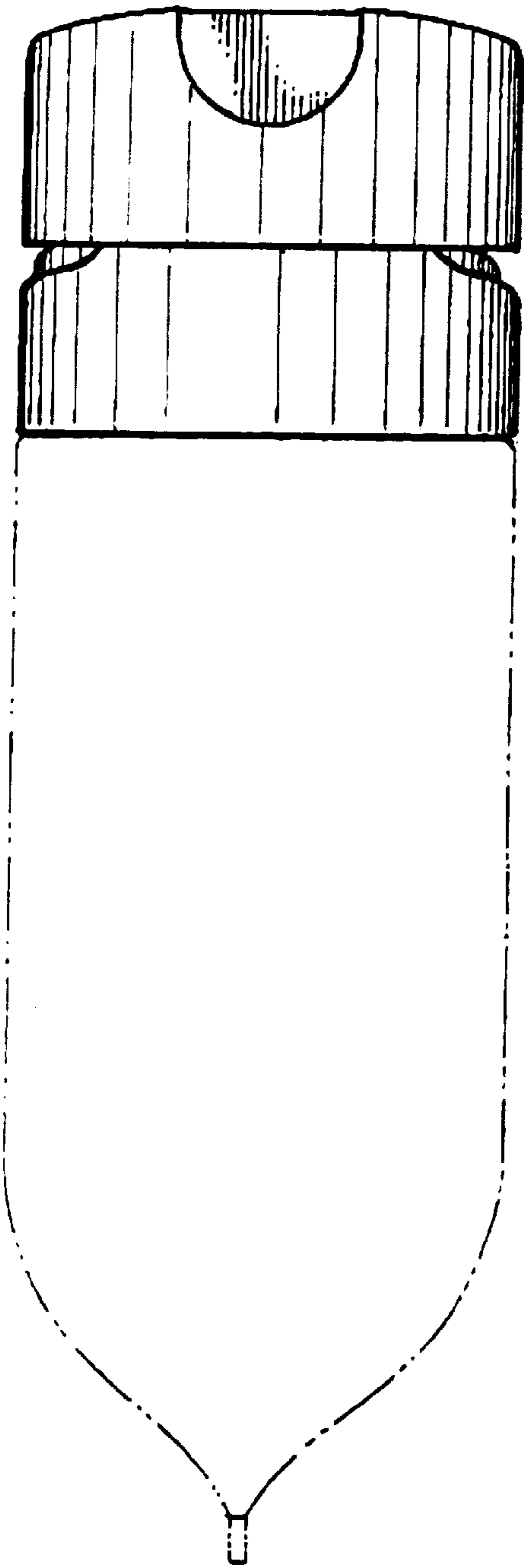


FIG. 7

