



US00D402190S

United States Patent [19] Anscher

[11] Patent Number: **Des. 402,190**

[45] Date of Patent: ****Dec. 8, 1998**

[54] **CORD LOCK**

[75] Inventor: **Joseph Anscher**, Muttontown, N.Y.

[73] Assignee: **National Molding Corp.**, Farmingdale, N.Y.

[**] Term: **14 Years**

[21] Appl. No.: **71,483**

[22] Filed: **May 30, 1997**

[51] **LOC (6) Cl.** **08-08**

[52] **U.S. Cl.** **D8/383**

[58] **Field of Search** D8/382, 383, 349,
D8/354; 24/115 G, 115 H, 115 K, 131 C,
115 R

[56] **References Cited**

U.S. PATENT DOCUMENTS

D. 343,570 1/1994 Meier D8/383

D. 368,852 4/1996 Ikeda D8/383
D. 372,420 8/1996 Mendez D8/383
4,453,292 6/1984 Bakker 24/115 G

Primary Examiner—Brian N. Vinson
Attorney, Agent, or Firm—Kenyon & Kenyon

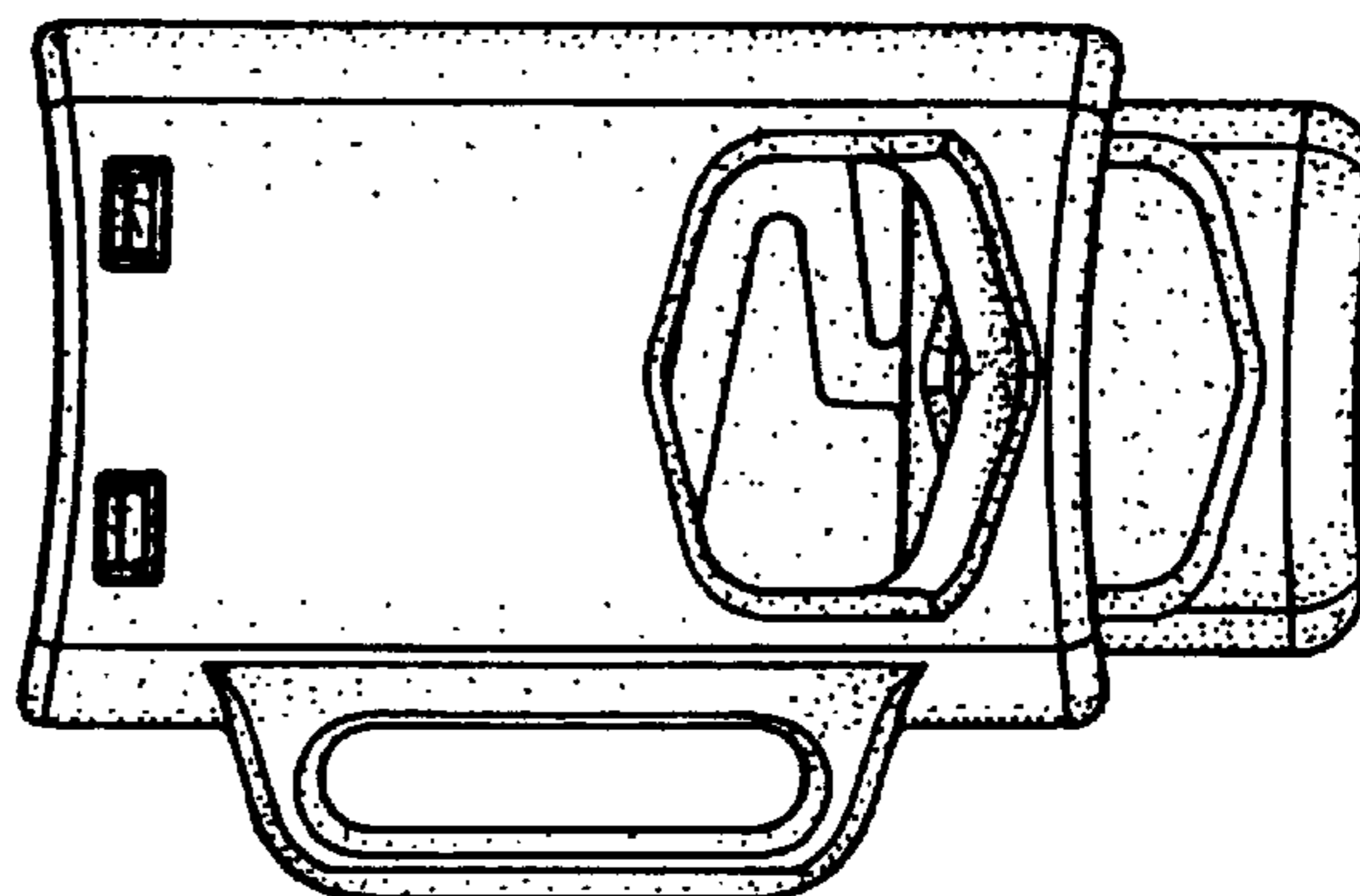
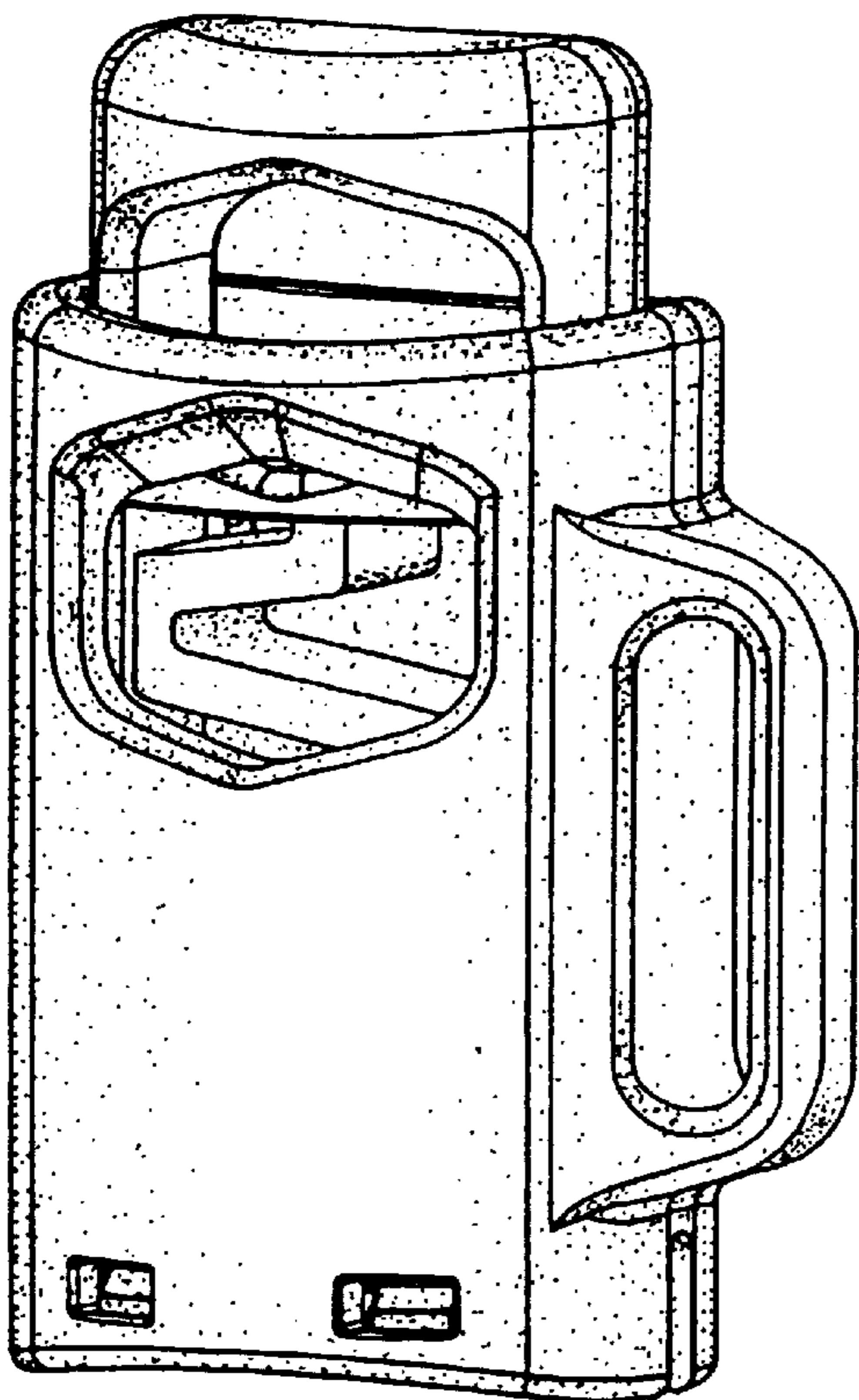
[57] **CLAIM**

The ornamental design for a cord lock, as shown and described.

DESCRIPTION

FIG. 1 is a perspective view of a cord lock embodying my new design;
FIG. 2 is a front view thereof;
FIG. 3 is a bottom view thereof;
FIG. 4 is a side view thereof;
FIG. 5 is a top view thereof; and,
FIG. 6 is a rear view thereof.

1 Claim, 2 Drawing Sheets



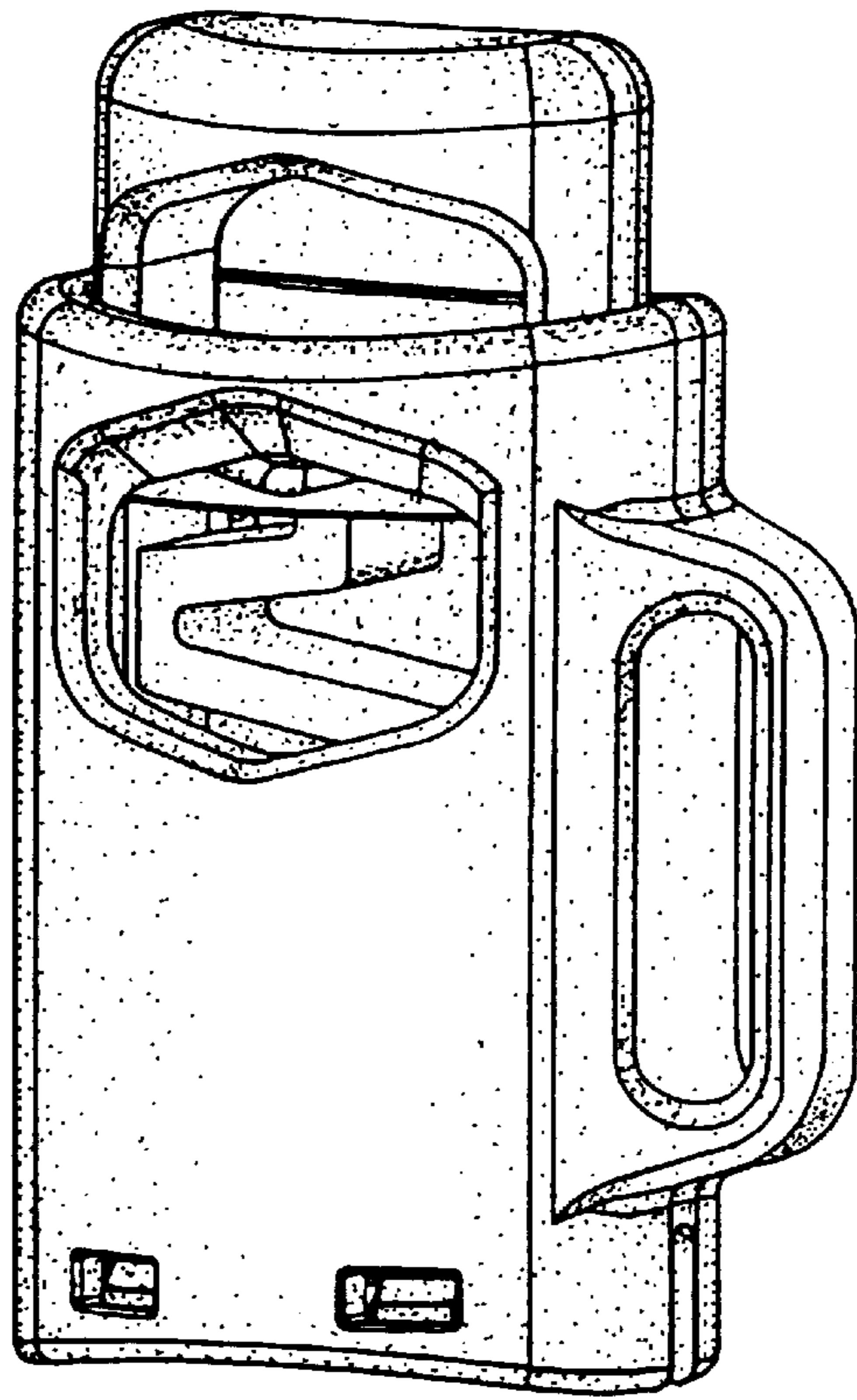


FIG. 1

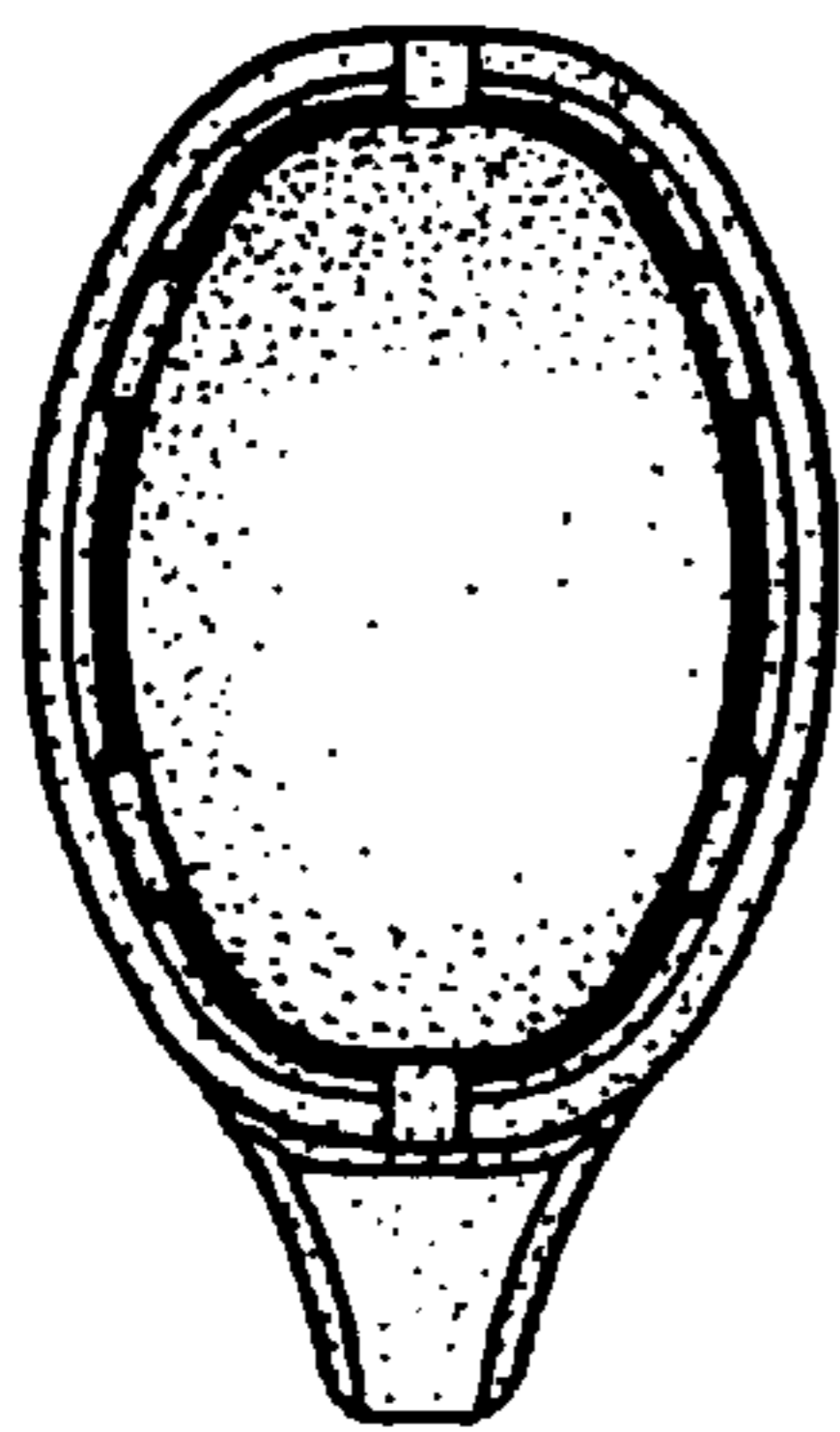


FIG. 3

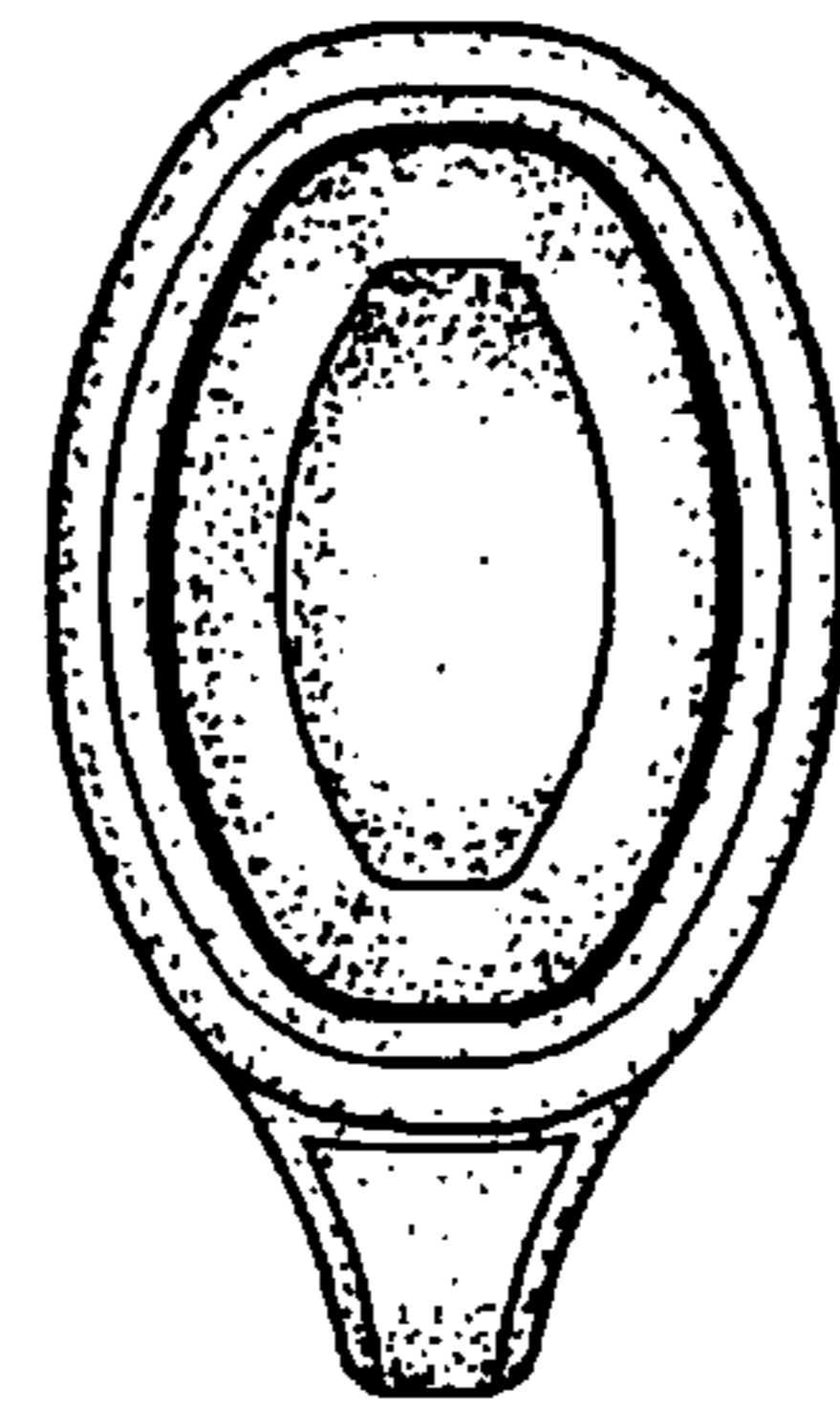


FIG. 5

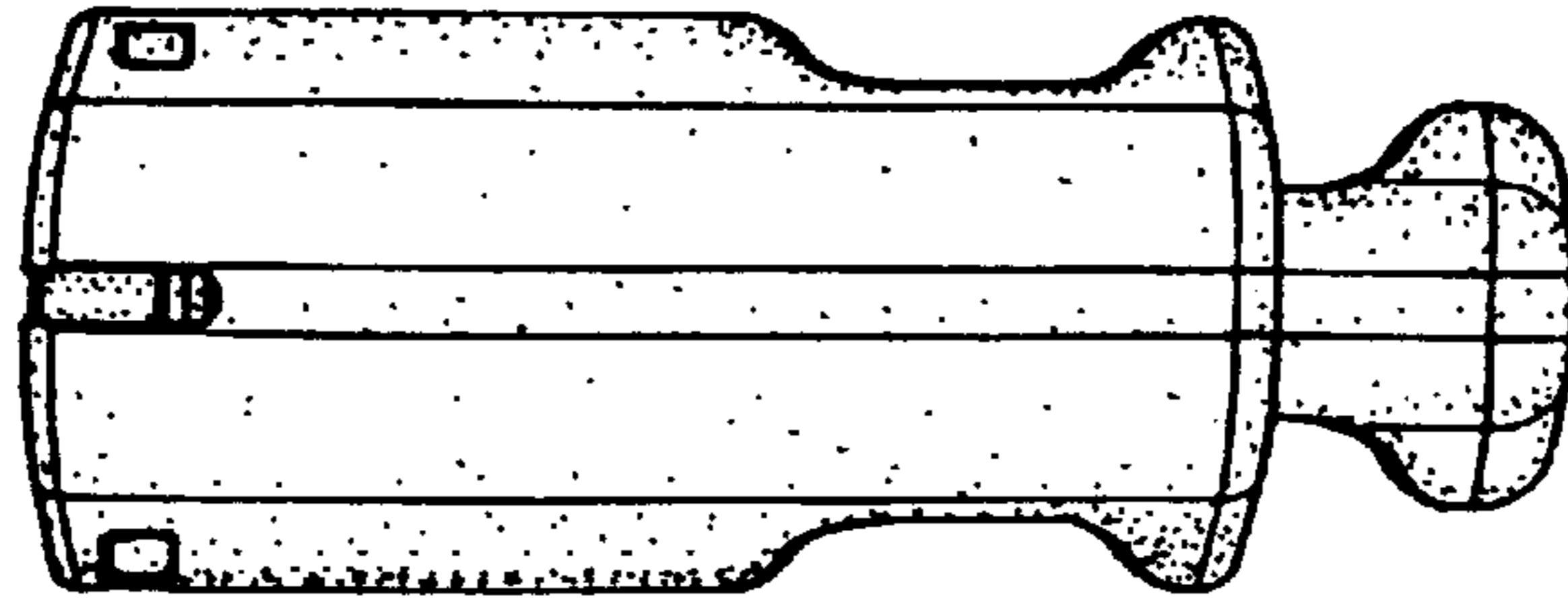


FIG. 2

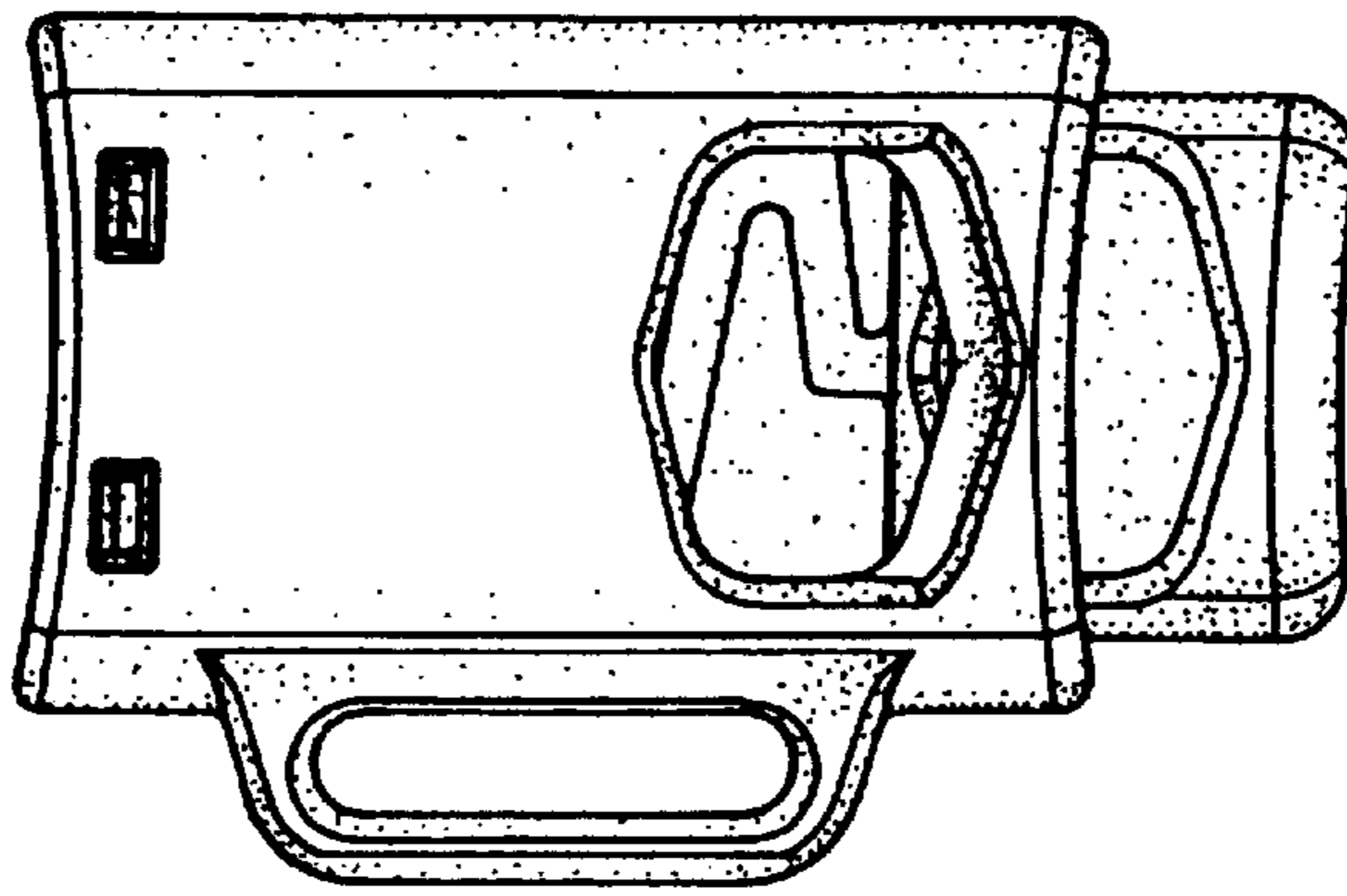


FIG. 4

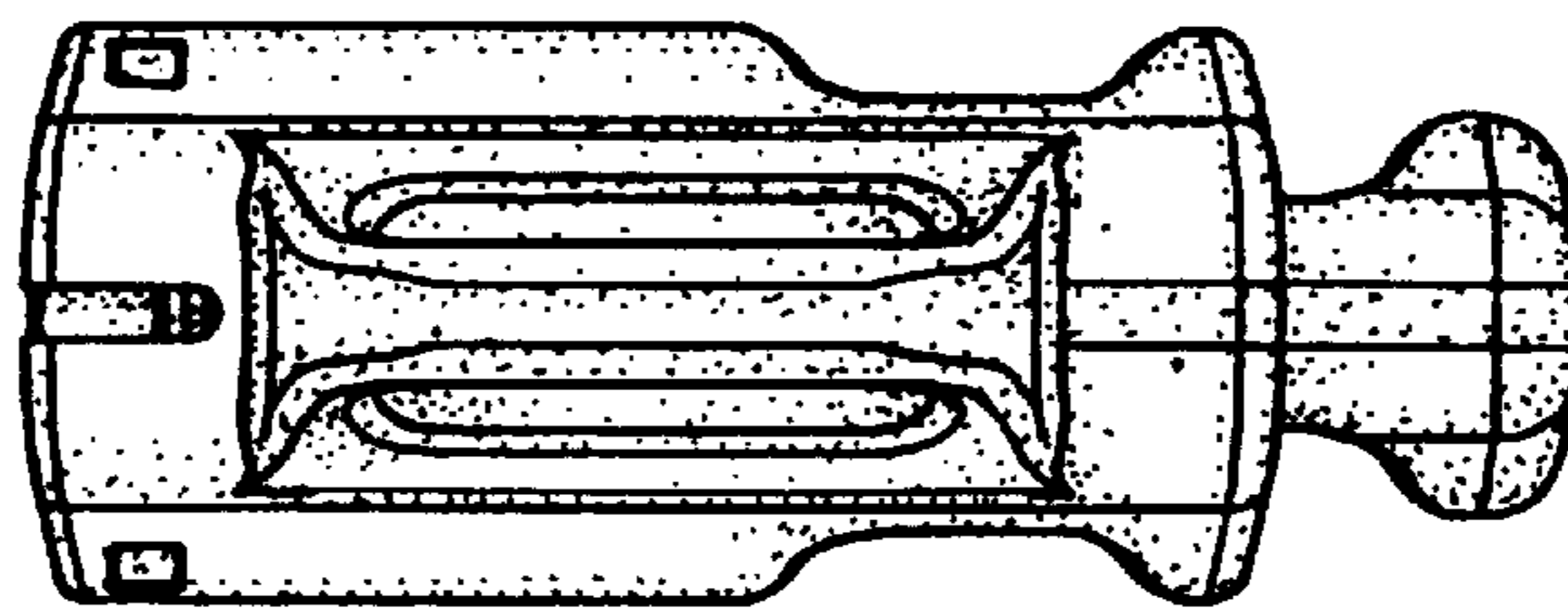


FIG. 6