



US00D402184S

United States Patent [19] Smith

[11] Patent Number: **Des. 402,184**

[45] Date of Patent: ****Dec. 8, 1998**

[54] **INSULATOR MOUNT**

[75] Inventor: **Jackson A. Smith**, Aldergrove, Canada

[73] Assignee: **Veneta Industries Inc.**, Abbotsford, Canada

[**] Term: **14 Years**

[21] Appl. No.: **66,014**

[22] Filed: **Feb. 3, 1997**

[30] **Foreign Application Priority Data**

Oct. 15, 1996 [CA] Canada 1996-2357

[51] **LOC (6) Cl.** **08-05**

[52] **U.S. Cl.** **D8/349; D13/129**

[58] **Field of Search** **D13/129; D8/71, D8/364, 396, 349; 254/134.3 R; 24/279, 285; 248/644, 655, 656**

[56] **References Cited**

U.S. PATENT DOCUMENTS

4,134,574 1/1979 Jean et al. 254/134.3 R
4,907,782 3/1990 Hoekstra 245/134.3 R X

Primary Examiner—Joel Sincavage
Attorney, Agent, or Firm—Weldon F Green

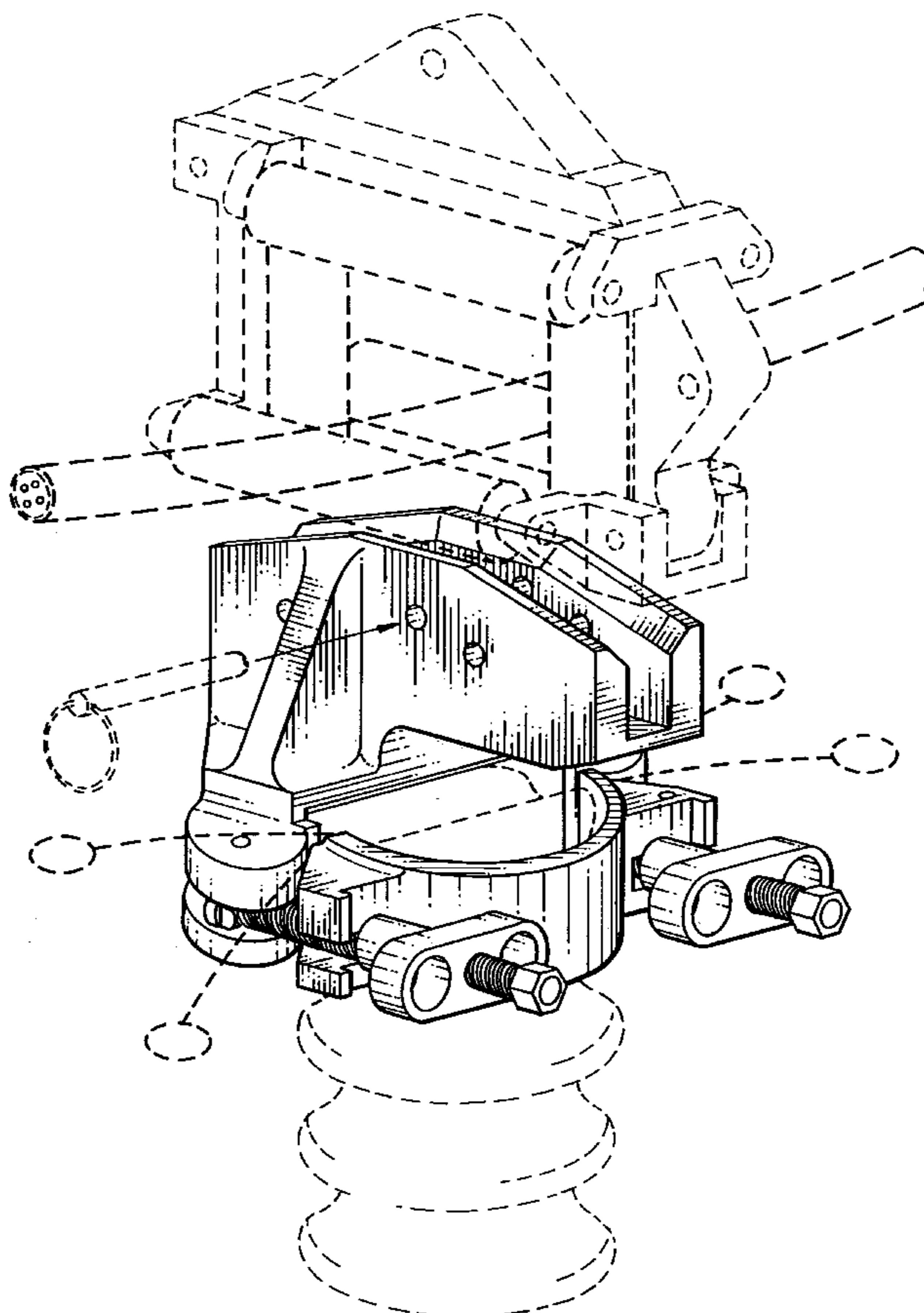
[57] **CLAIM**

The ornamental design for an insulator mount, as shown and described.

DESCRIPTION

FIG. 1 is a perspective view in which the insulator mount embodying the design is depicted in solid outline with the cable guiding assembly shown in broken outline; FIG. 2 is a front elevational view of the insulator mount; FIG. 3 is a rear elevational view of the insulator mount; FIG. 4 is a top plan view of the insulator mount; FIG. 5 is a bottom plan view of the insulator mount; FIG. 6 is a side elevational view of the insulator mount, the opposed side elevational view constituting a mirror image thereof except for the omission of the small vertical screw appearing in the right tightening flange; FIG. 7 is a side elevational view of an insulator mount showing a second embodiment of the design; and, Except for the differences effected by the side profile appearance of the top half of the mount all other views of the second embodiment are the same as the first; FIG. 8 is a side elevational view of an insulator mount showing a third embodiment of the design. Except for the differences effected by the side profile appearance of the top half of the mount all other views of the third embodiment are the same as the first; The broken line showing in FIG. 1 is included for the purpose of illustrating environmental structure only, and forms no part of the claimed design.

1 Claim, 5 Drawing Sheets



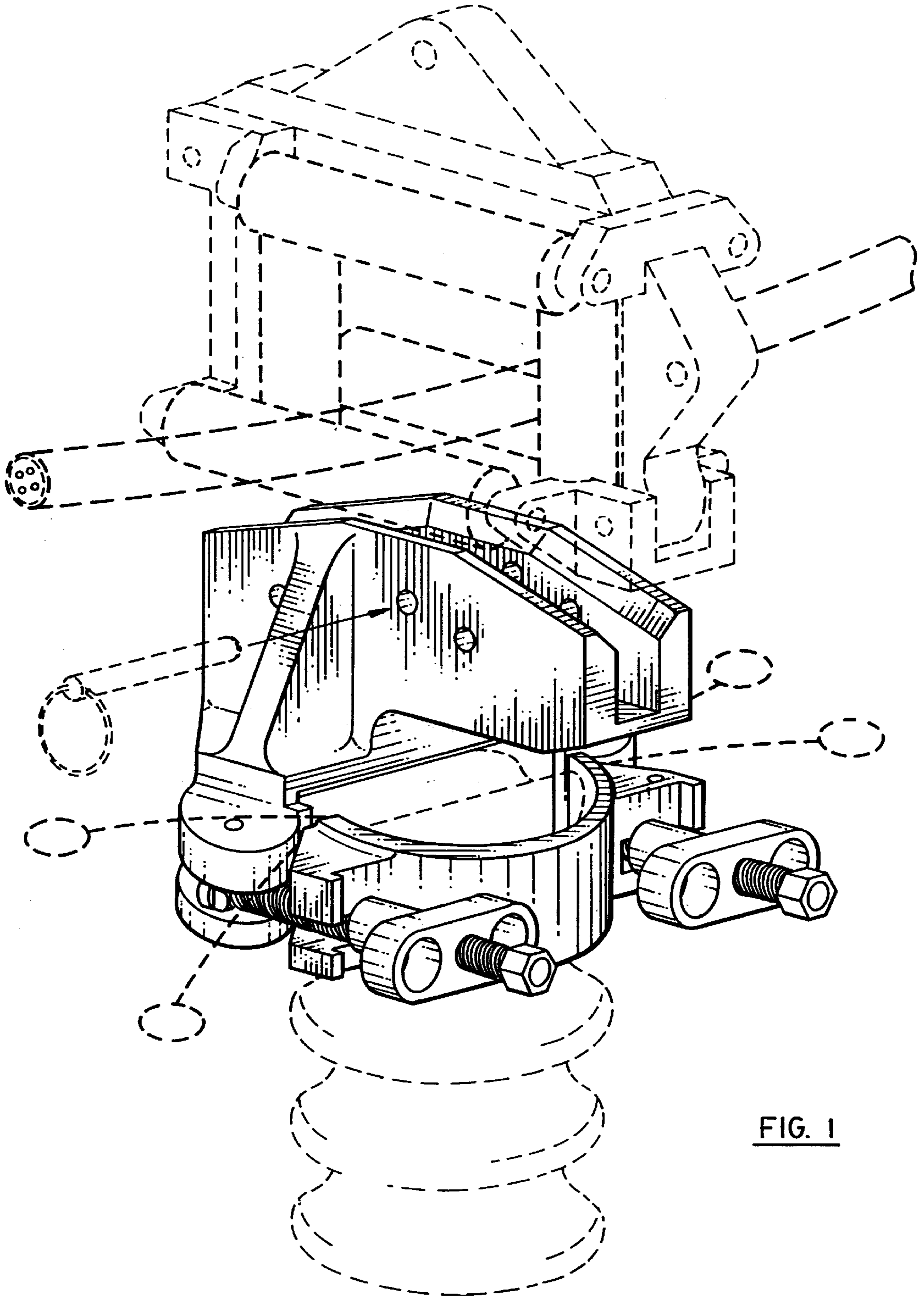


FIG. 1

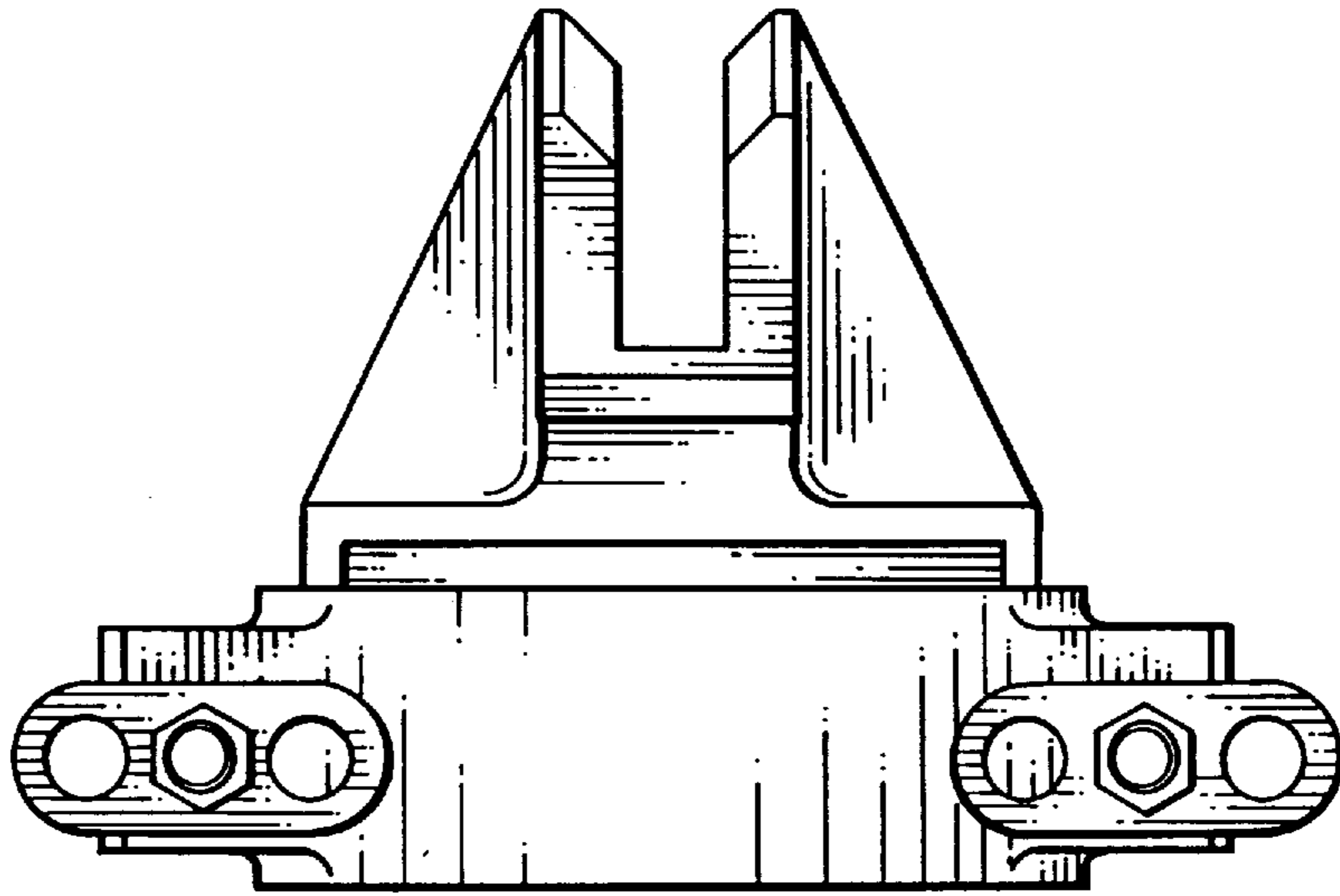


FIG. 2

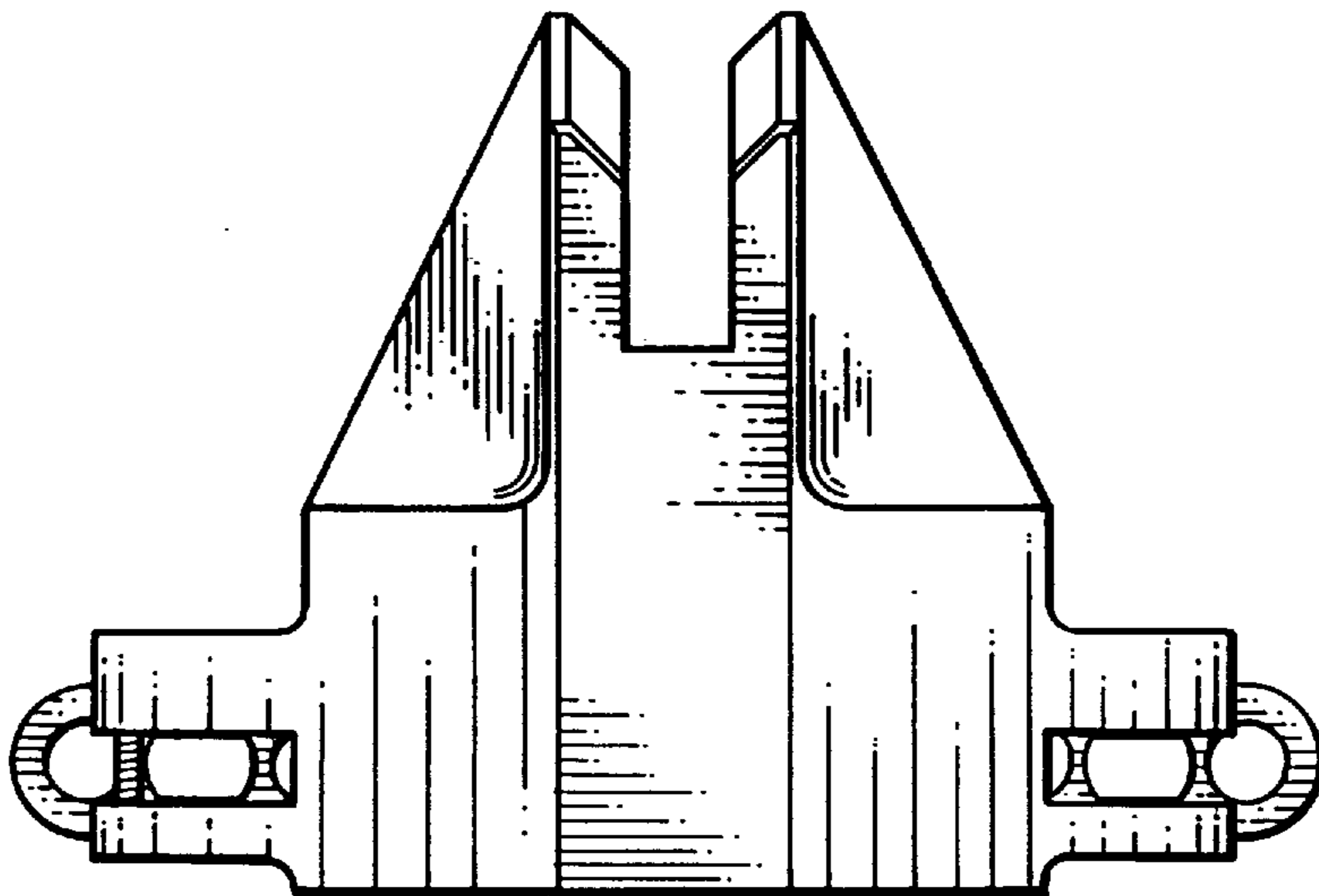


FIG. 3

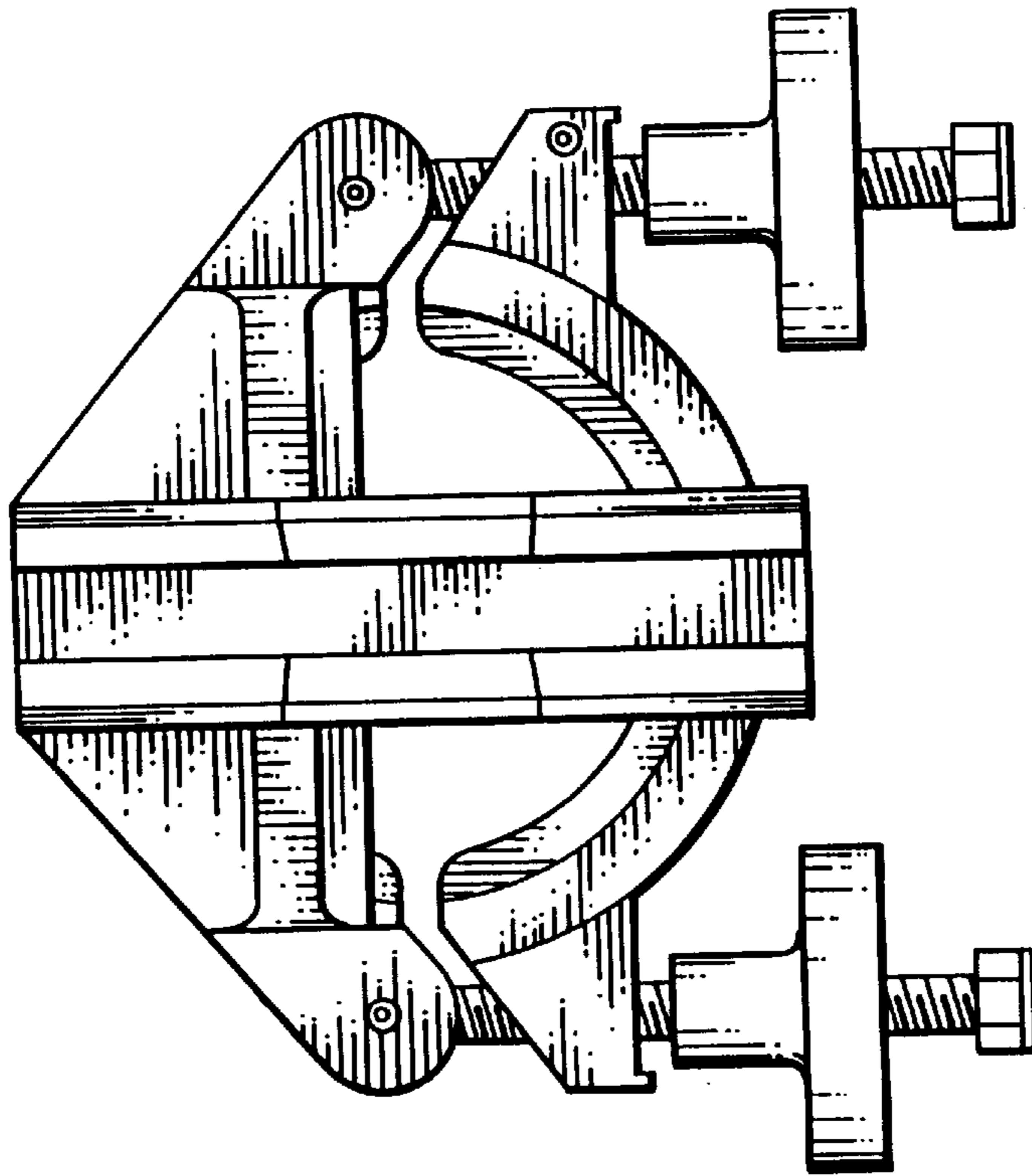


FIG. 4

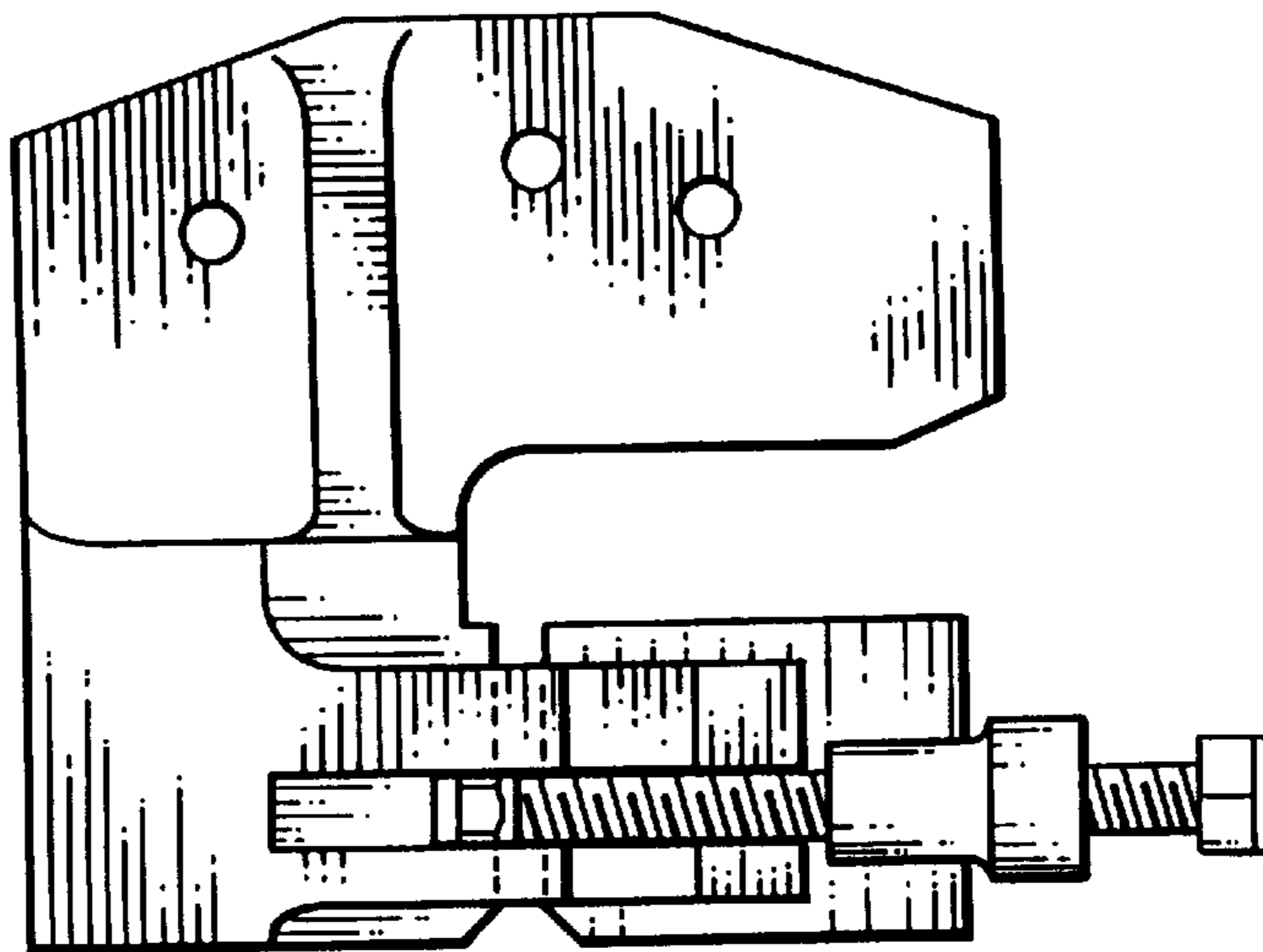


FIG. 6

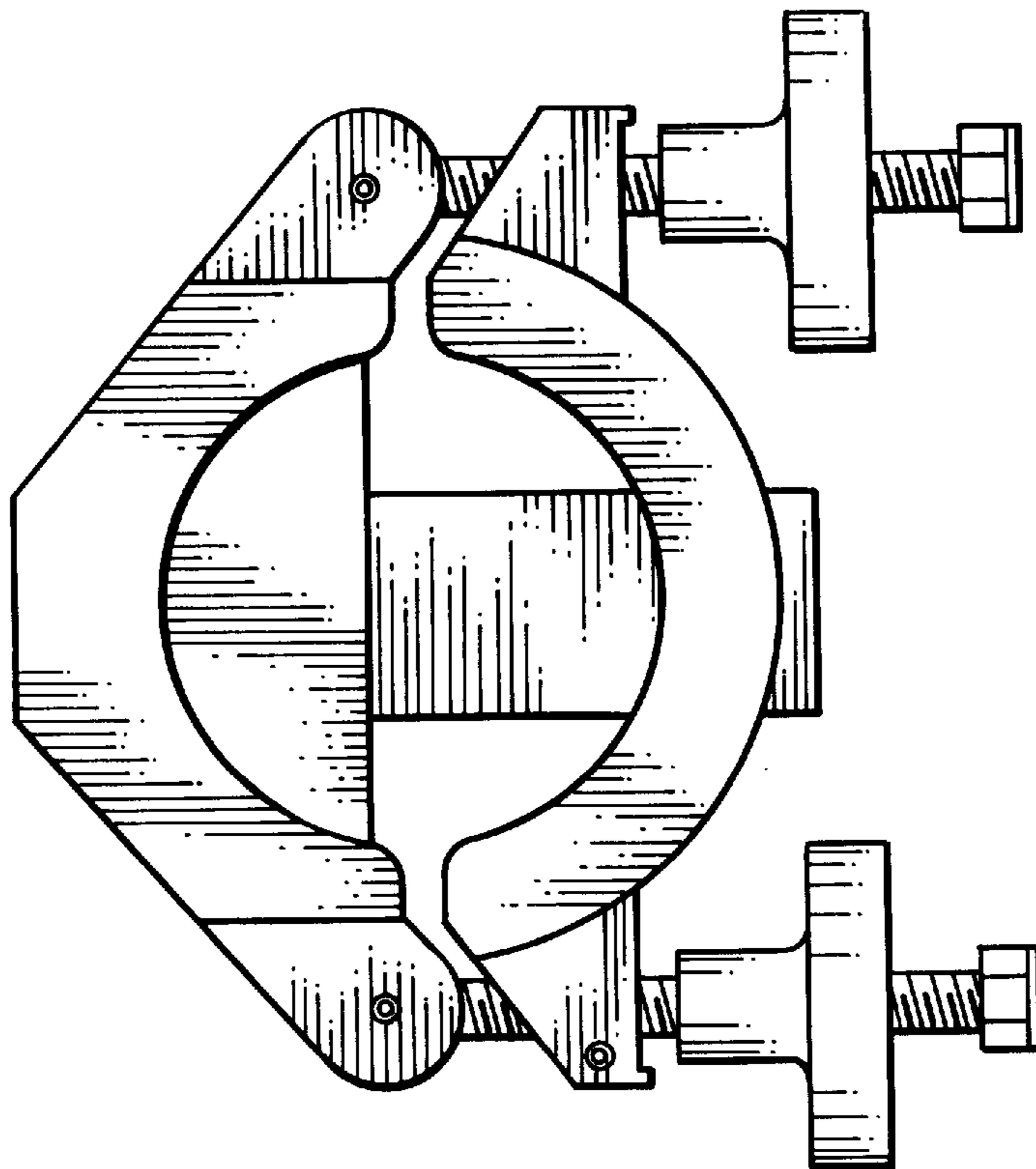


FIG. 5

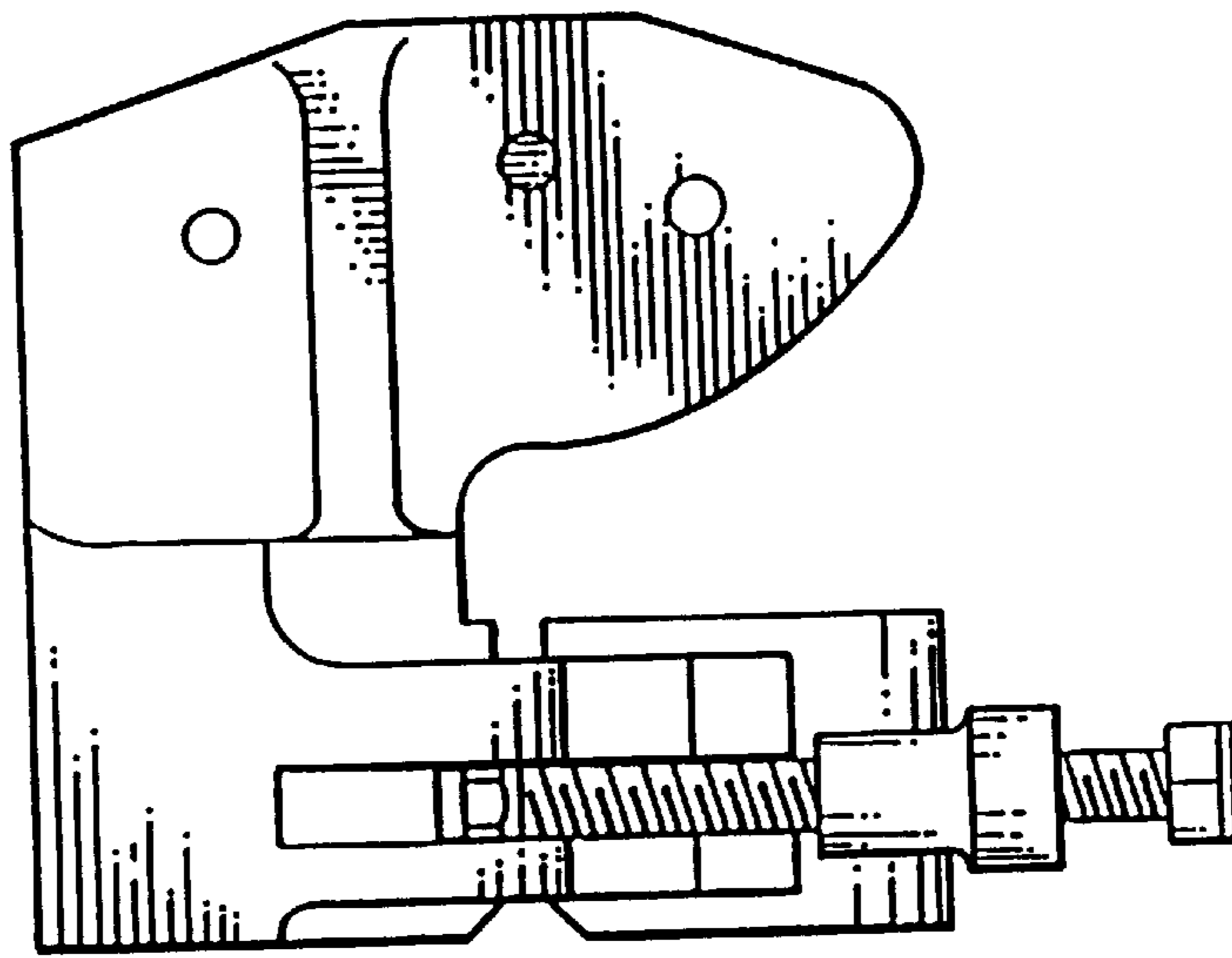


FIG. 7

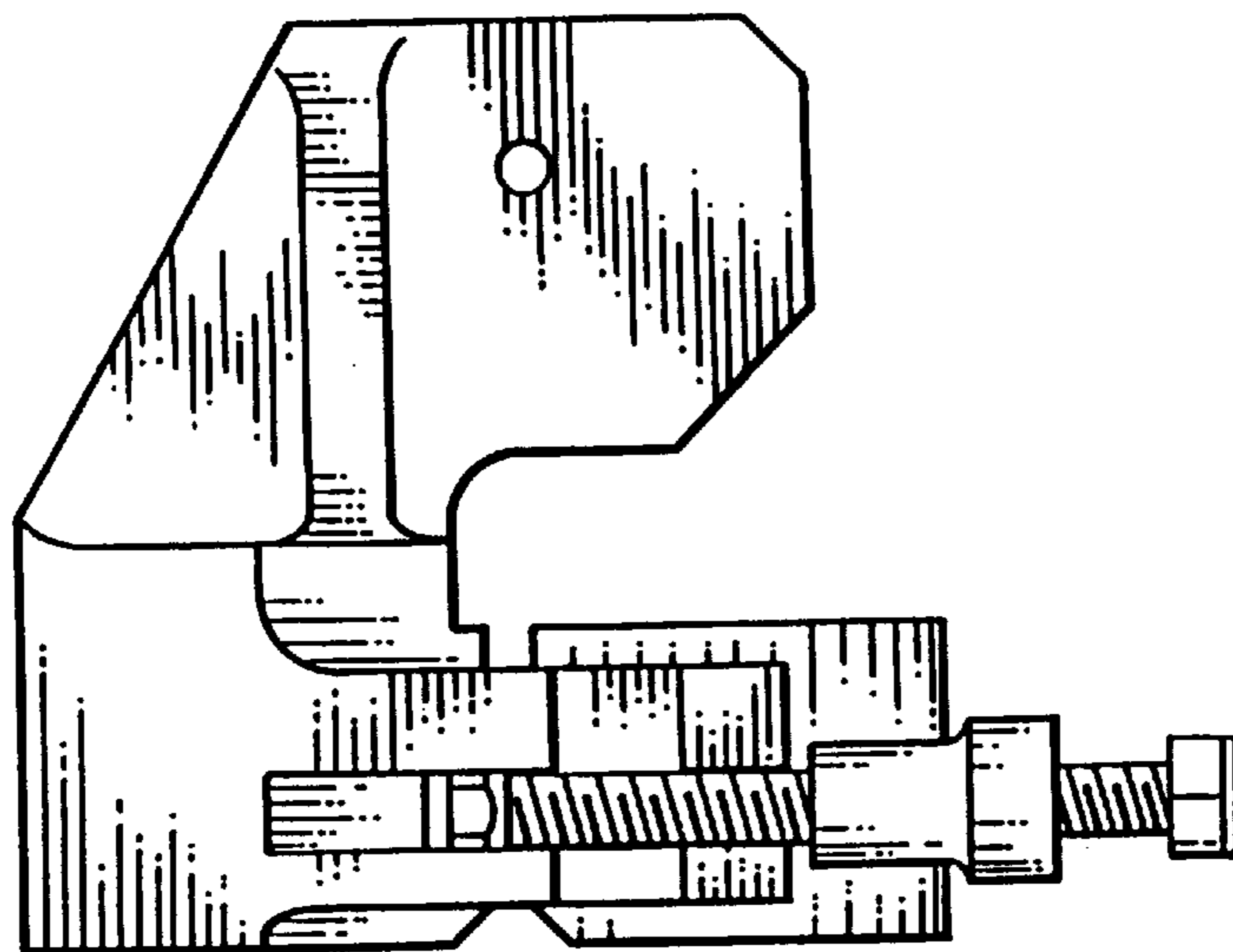


FIG. 8