



US00D402181S

United States Patent [19]
Hayes

[11] **Patent Number:** **Des. 402,181**
[45] **Date of Patent:** ****Dec. 8, 1998**

[54] **LATCH MEMBER**

[75] **Inventor:** **Kenneth Owen Hayes**, Bloomington, Ind.

[73] **Assignee:** **Fort James Corporation**, Richmond, Va.

[**] **Term:** **14 Years**

[21] **Appl. No.:** **58,061**

[22] **Filed:** **Aug. 7, 1996**

[51] **LOC (6) Cl.** **08-07**

[52] **U.S. Cl.** **D8/343**

[58] **Field of Search** D8/330, 331, 336,
D8/335, 343; 292/24, 31

[56] **References Cited**

U.S. PATENT DOCUMENTS

157,226	11/1874	Ryckman	292/24	X
497,863	5/1893	Christian	292/24	X
3,877,739	4/1975	Cowen	292/31	X
4,451,072	5/1984	Petty, Sr.	292/31	X

Primary Examiner—Brian N. Vinson

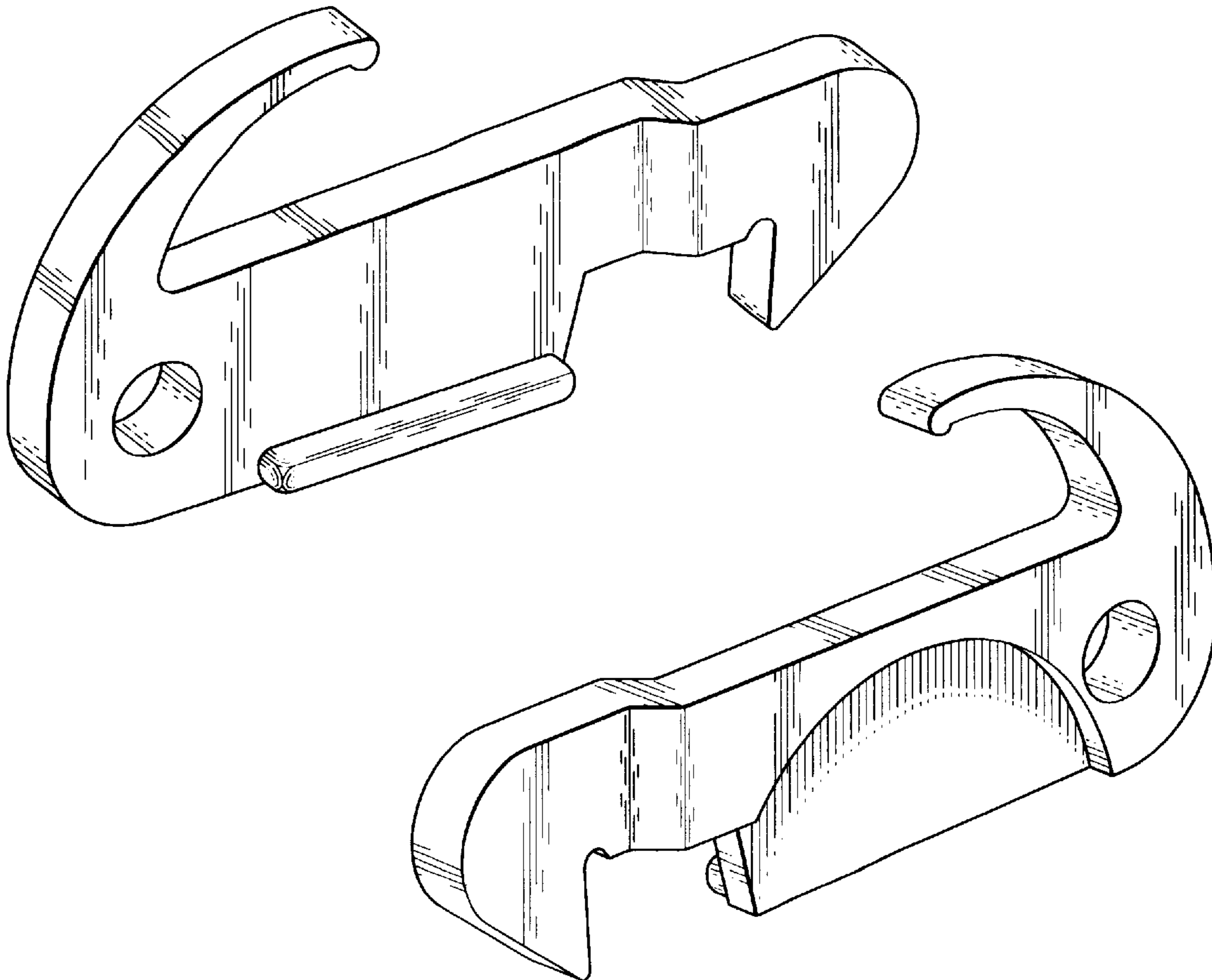
[57] **CLAIM**

The ornamental design for latch member, as shown and described.

DESCRIPTION

FIG. 1 is a front perspective view of latch member showing my design;
 FIG. 2 is a rear perspective view thereof;
 FIG. 3 is a top plan elevation view thereof;
 FIG. 4 is a rear elevation view thereof;
 FIG. 5 is a front elevation view thereof;
 FIG. 6 is a bottom plan view thereof;
 FIG. 7 is a left side elevation view thereof;
 FIG. 8 is a right side elevation view thereof;
 FIG. 9 is a rear perspective view of a second embodiment, showing my new design;
 FIG. 10 is a front perspective view thereof;
 FIG. 11 is a top plan view thereof;
 FIG. 12 is a front elevation view thereof;
 FIG. 13 is a rear elevation view thereof;
 FIG. 14 is a bottom plan view thereof;
 FIG. 15 is a right side elevation view thereof; and,
 FIG. 16 is a left side elevation view thereof.

1 Claim, 4 Drawing Sheets



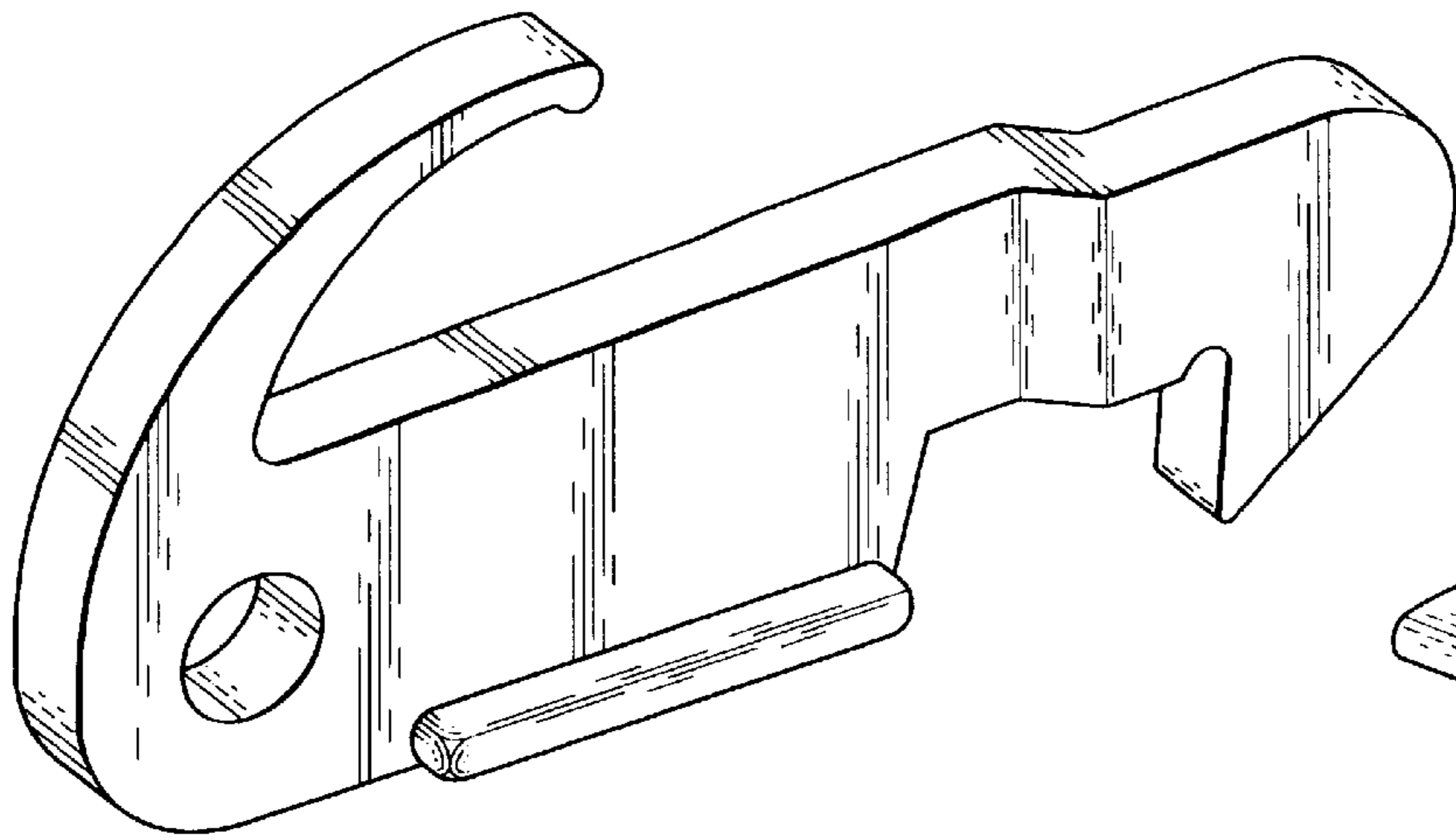


Fig. 1

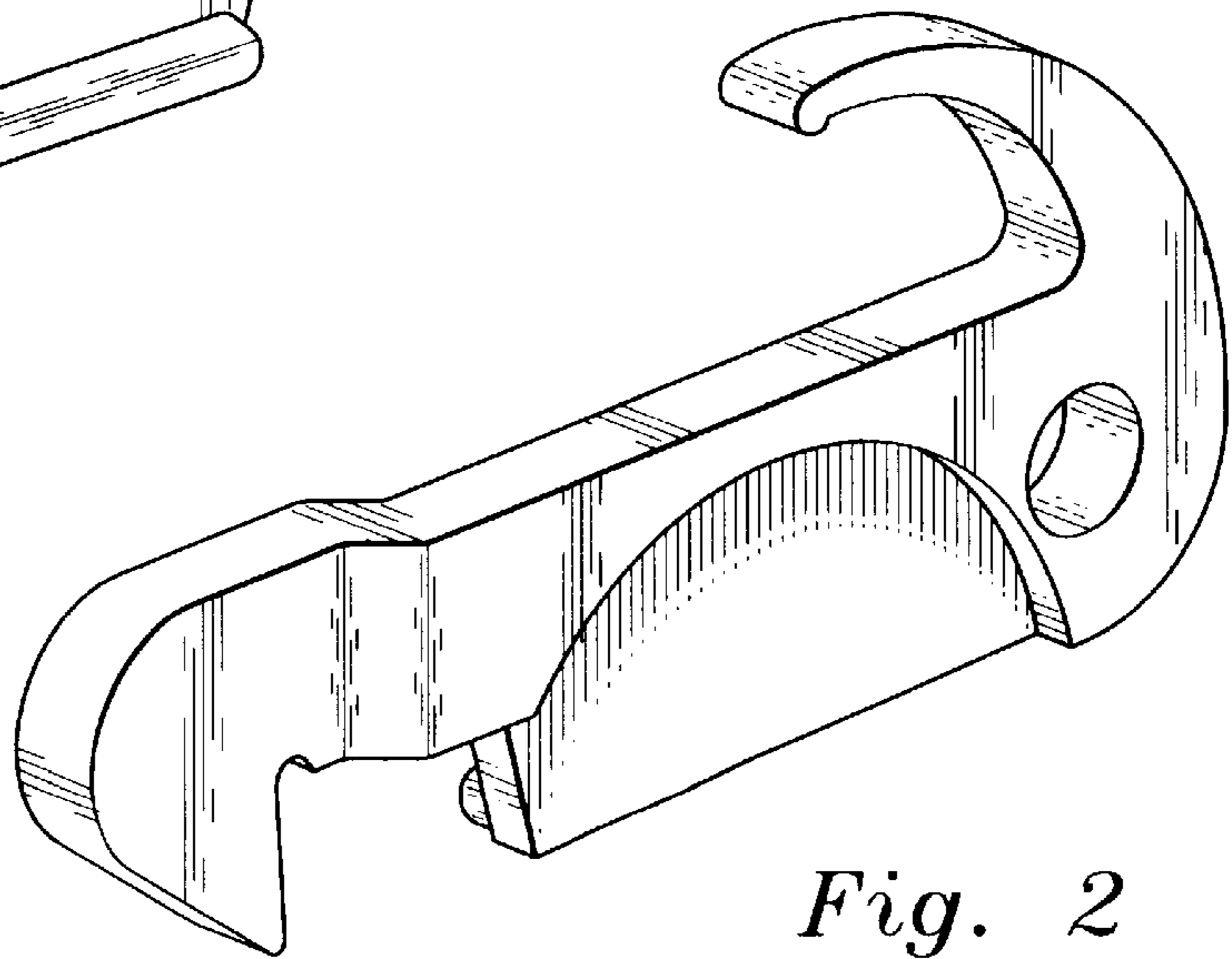


Fig. 2

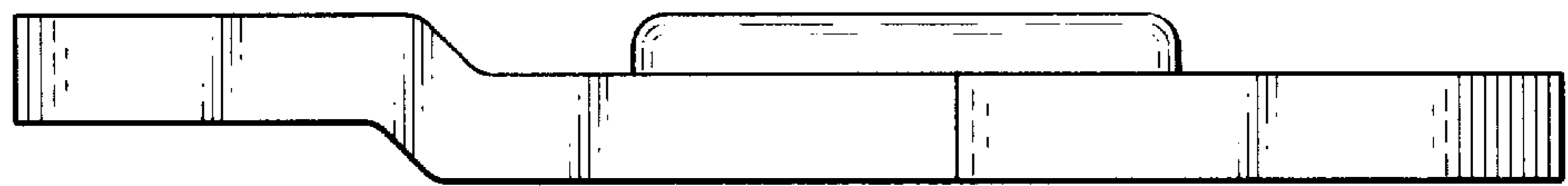


Fig. 3

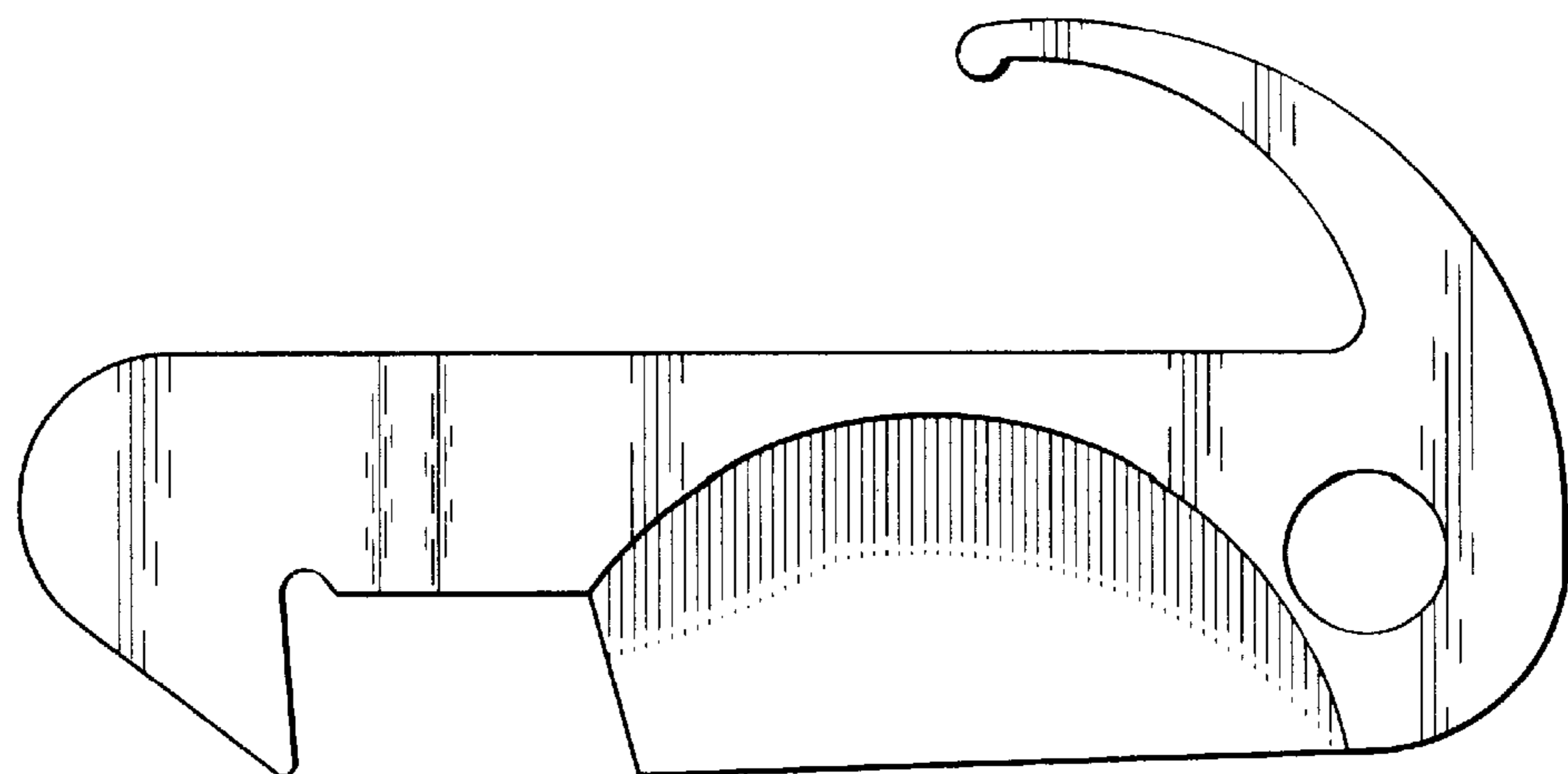


Fig. 4

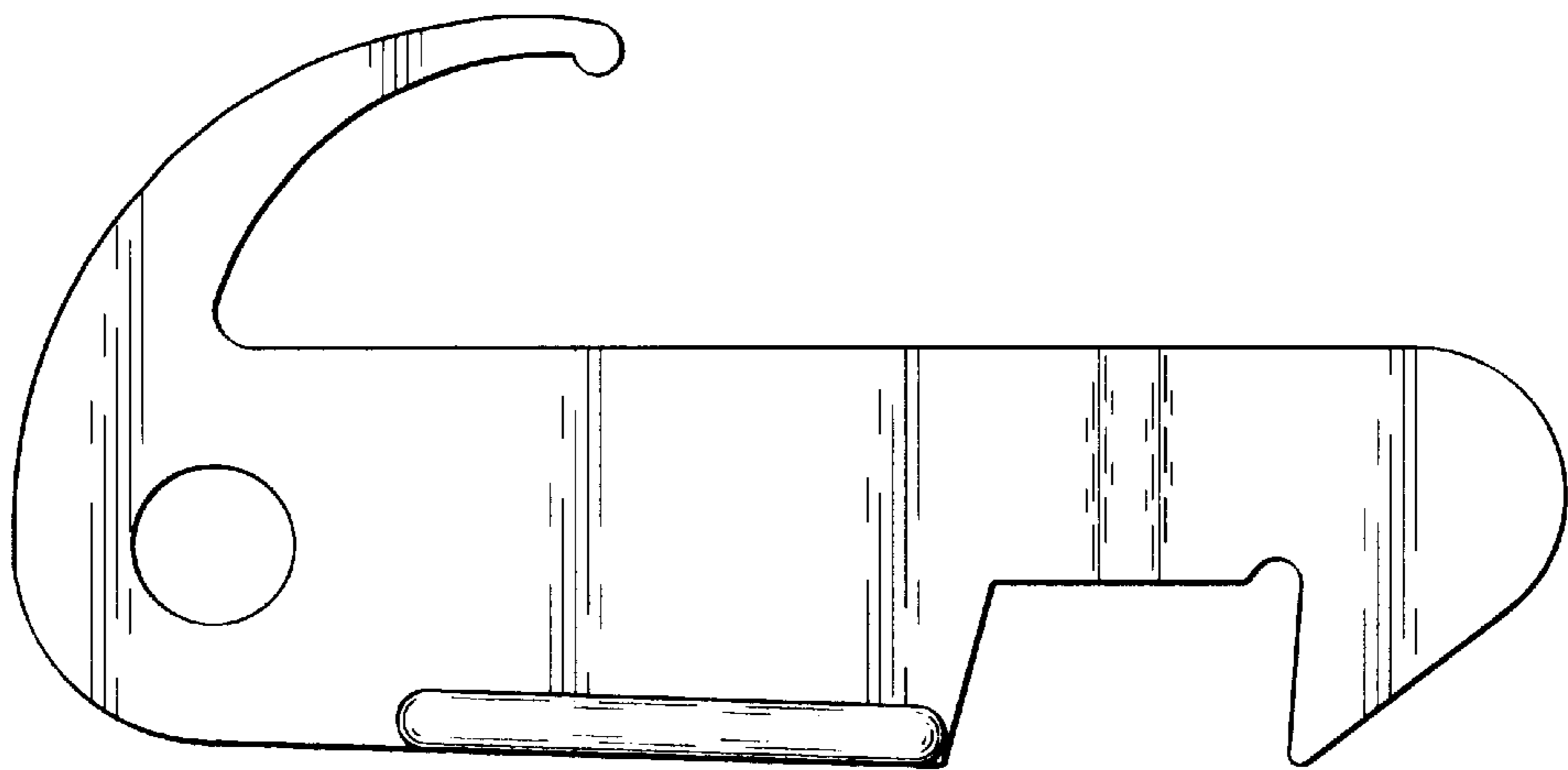


Fig. 5

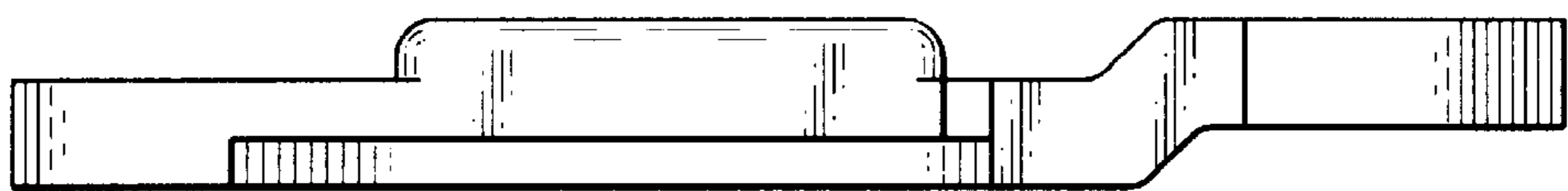


Fig. 6

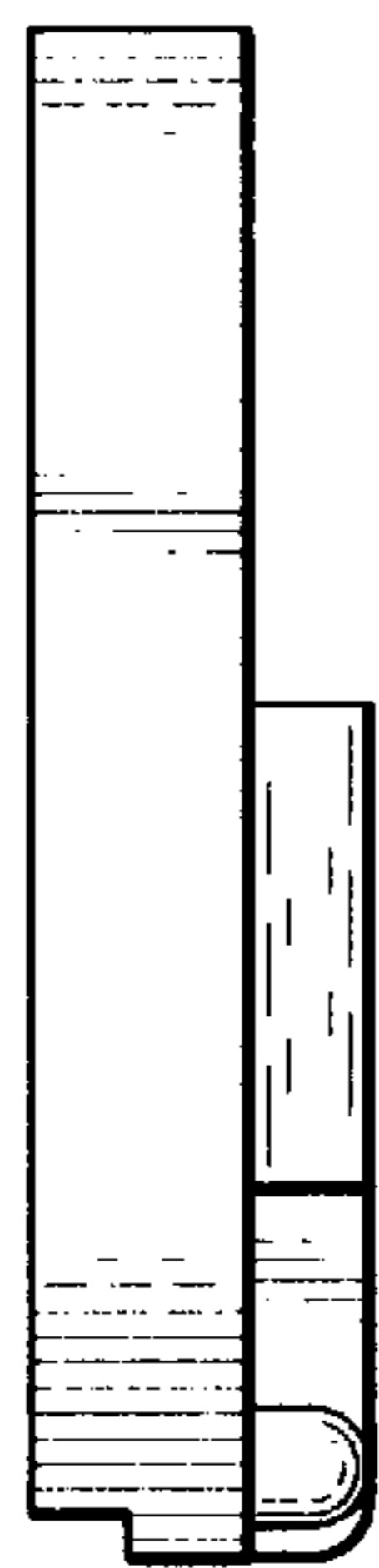


Fig. 7

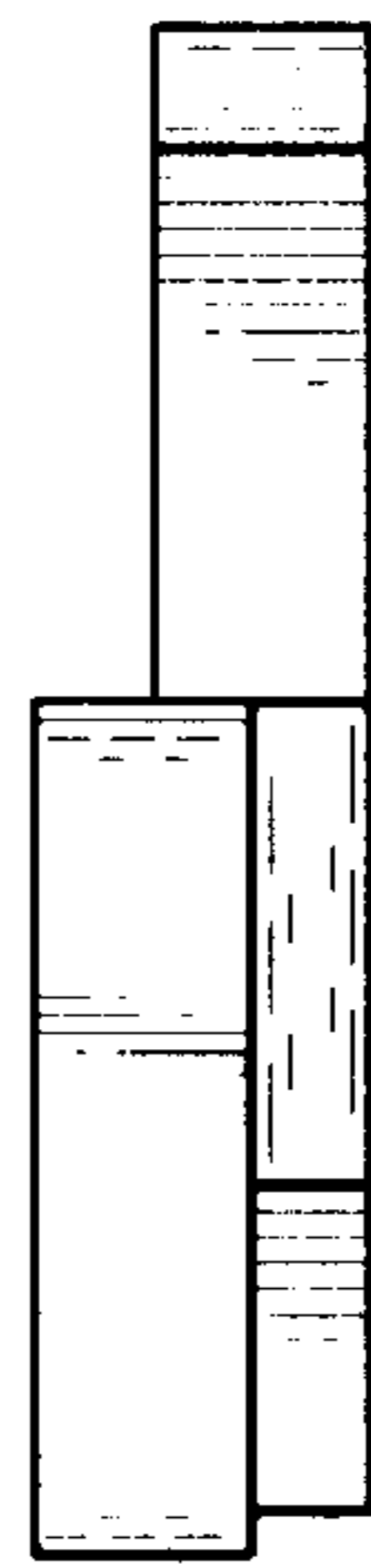


Fig. 8

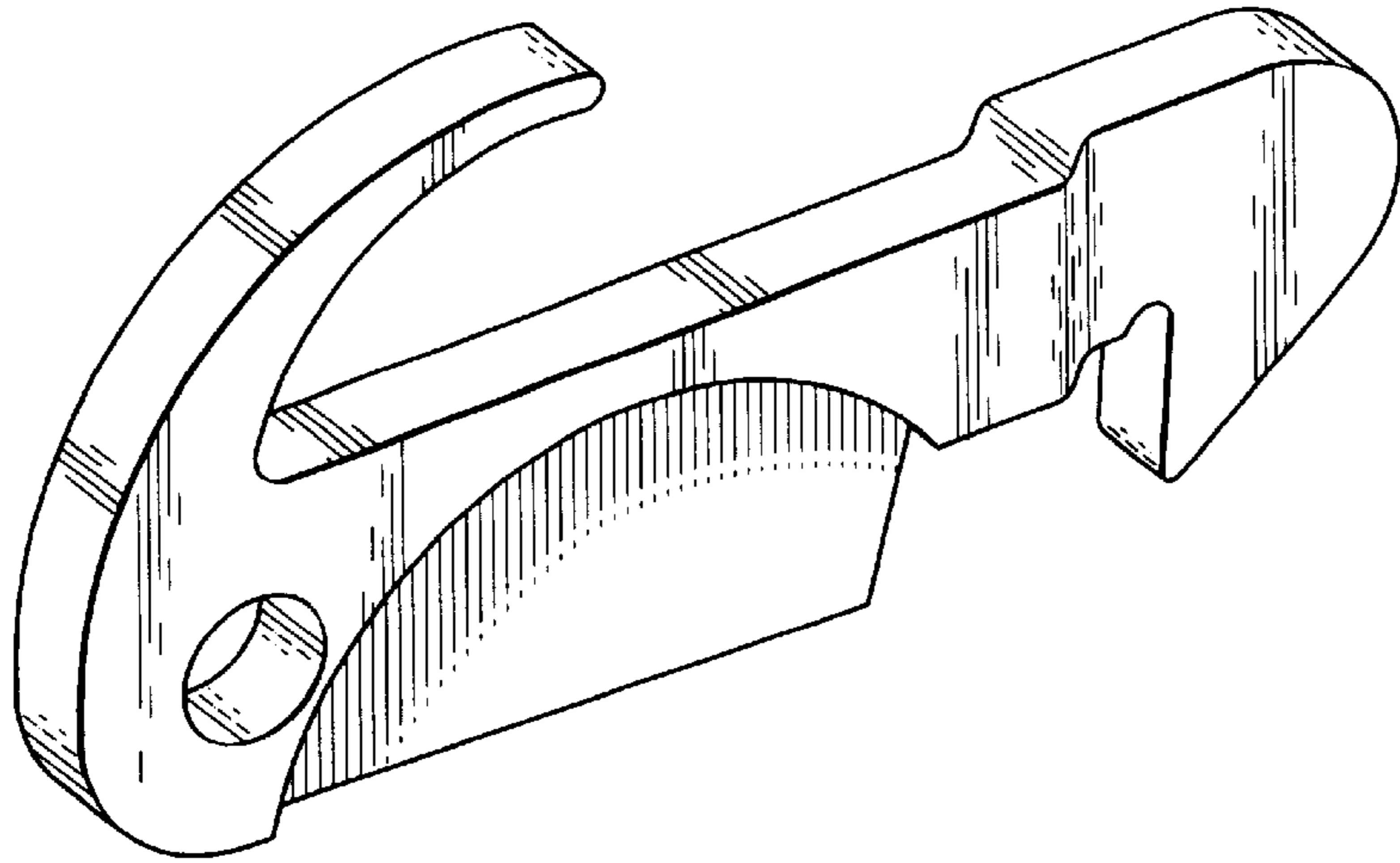


Fig. 9

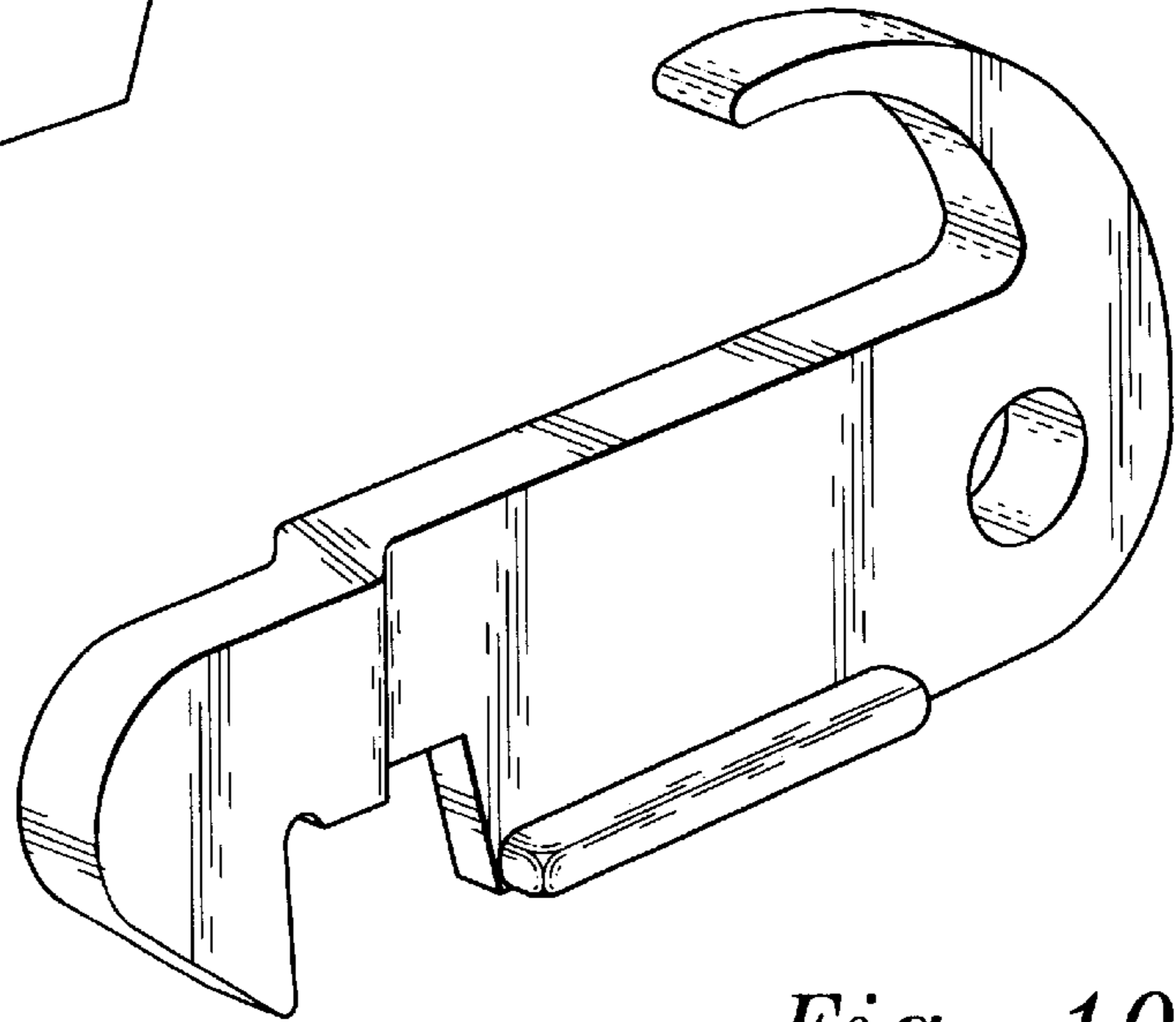


Fig. 10

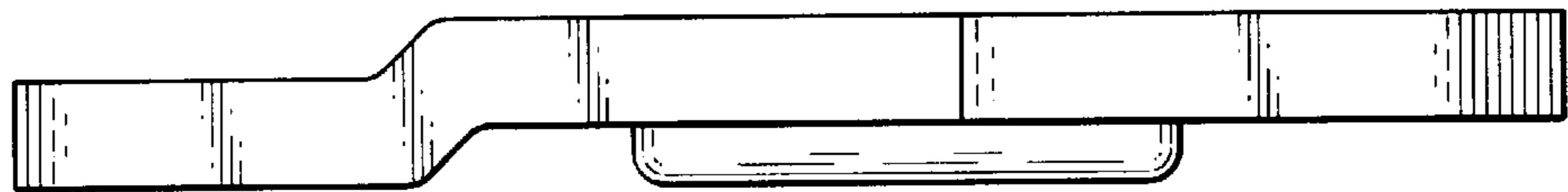


Fig. 11

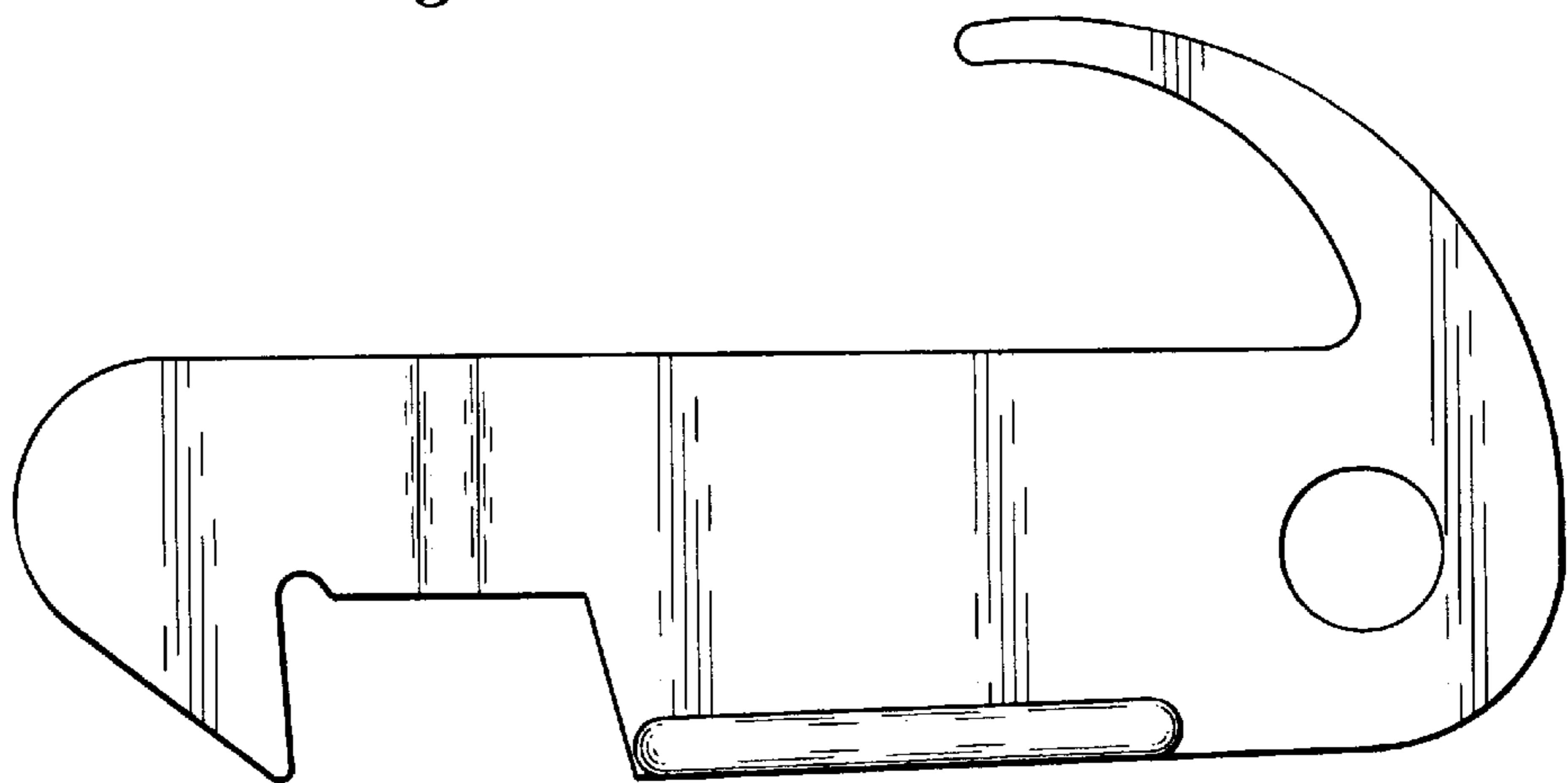


Fig. 12

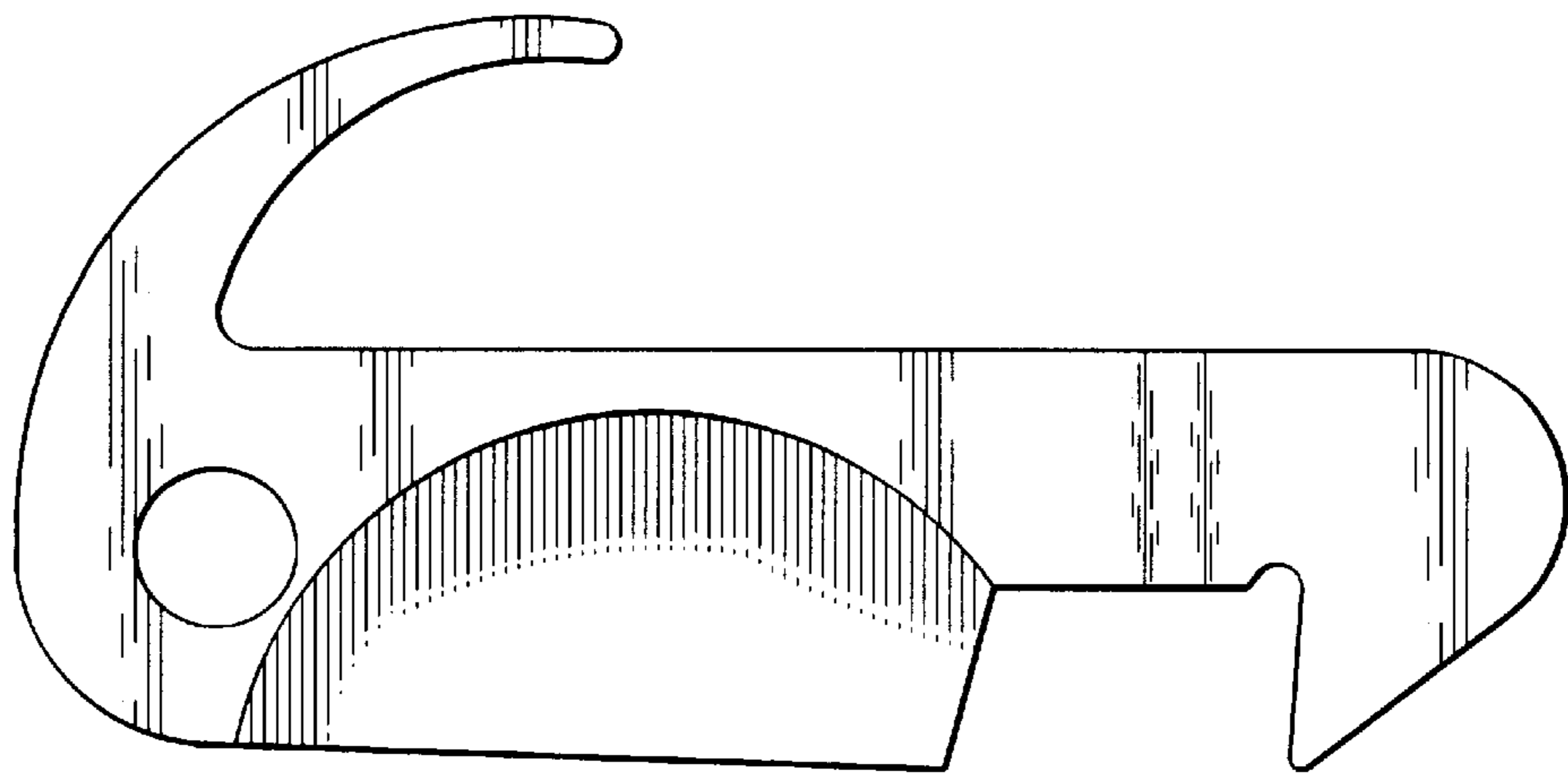


Fig. 13



Fig. 14

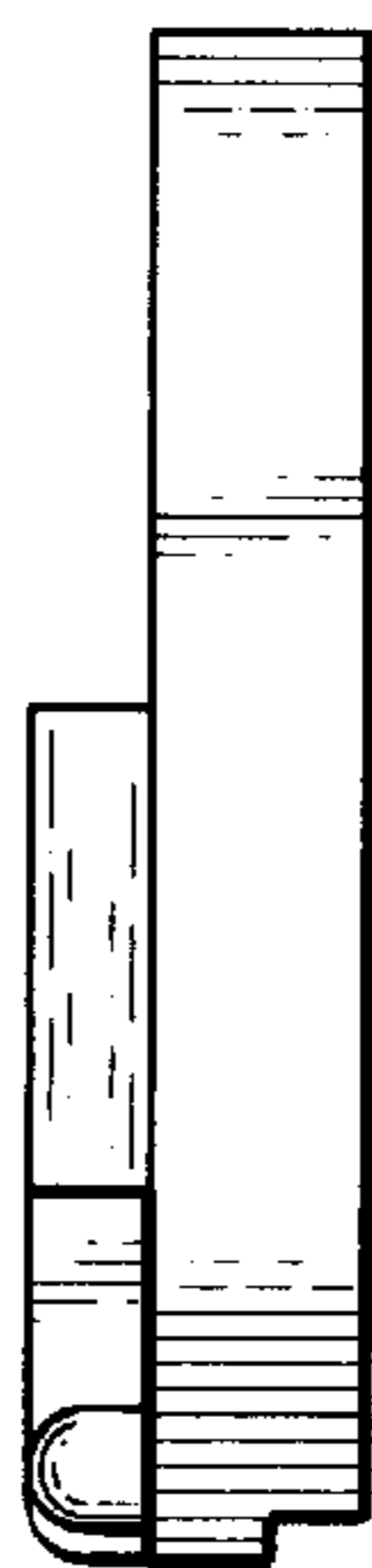


Fig. 15



Fig. 16