



US00D402167S

United States Patent [19]
Durbin

[11] **Patent Number: Des. 402,167**
[45] **Date of Patent: **Dec. 8, 1998**

[54] **COMBINED LADLE AND STRAINER**

D. 308,151 5/1990 Roberts et al. D7/691
2,810,957 10/1957 Nelson 30/324

[75] Inventor: **Jenel Durbin**, Bloomingdale, Ill.

Primary Examiner—Terry A. Wallace
Attorney, Agent, or Firm—Olson & Hierl, Ltd.

[73] Assignee: **The Pampered Chef, Ltd.**, Addison, Ill.

[57] **CLAIM**

[**] Term: **14 Years**

The ornamental design for a combined ladle and strainer, as shown and described.

[21] Appl. No.: **75,891**

DESCRIPTION

[22] Filed: **Sep. 2, 1997**

FIG. 1 is a perspective view of a combined ladle and strainer showing my new design;
FIG. 2 is a top plan view thereof;
FIG. 3 is a bottom plan view thereof;
FIG. 4 is a side elevation view thereof;
FIG. 5 is a front elevation view thereof;
FIG. 6 is a rear elevation view thereof; and,
FIG. 7 is an enlarged, fragmentary perspective view of the bottom side of the handle end.

[51] **LOC (6) Cl.** **07-02**

[52] **U.S. Cl.** **D7/692; D7/688**

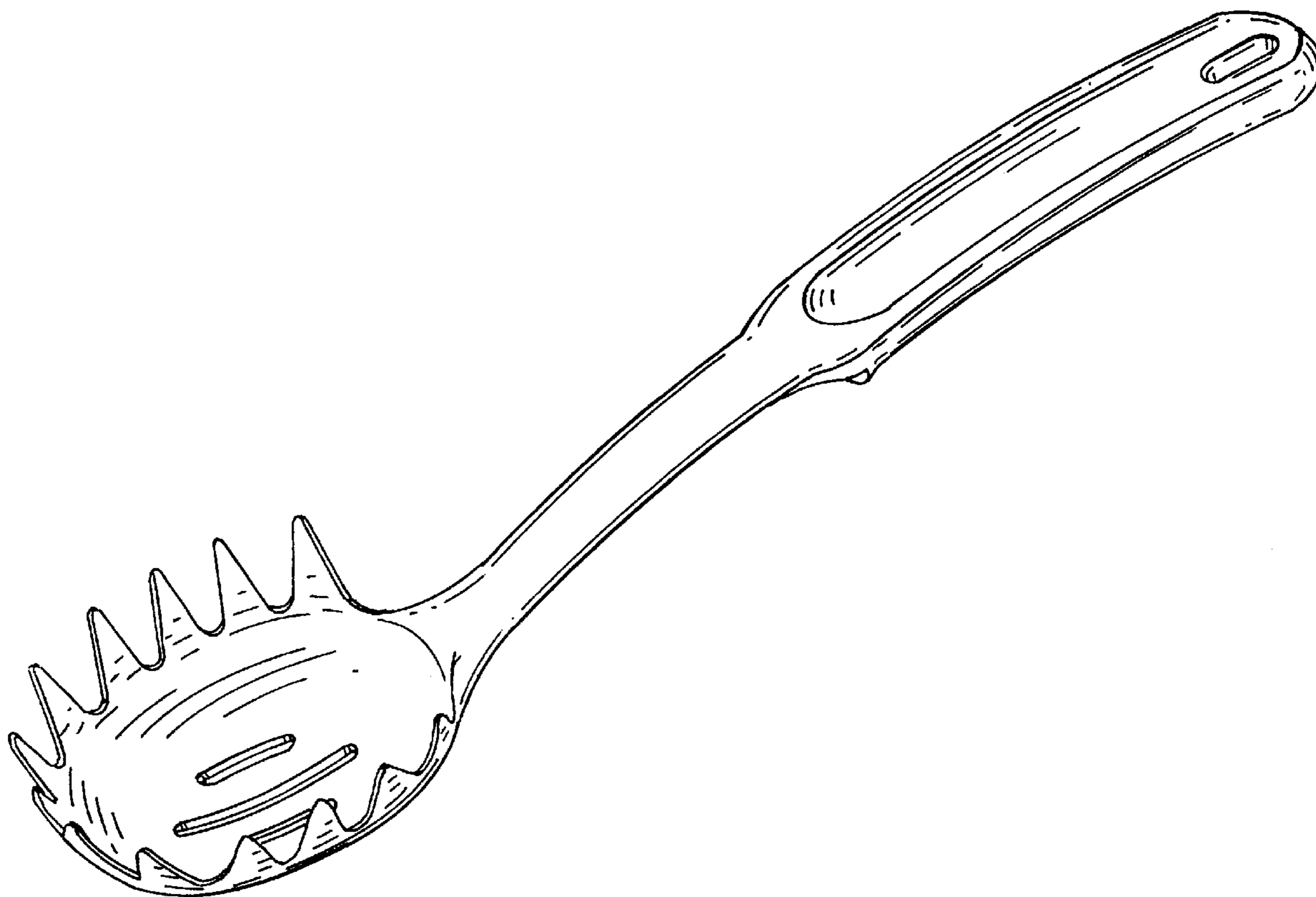
[58] **Field of Search** D7/647, 691, 692,
D7/688; 30/322-324; 294/49, 55.5

[56] **References Cited**

U.S. PATENT DOCUMENTS

D. 284,342 6/1986 Campbell D7/647 X
D. 307,095 4/1990 Juergens D7/691 X

1 Claim, 2 Drawing Sheets



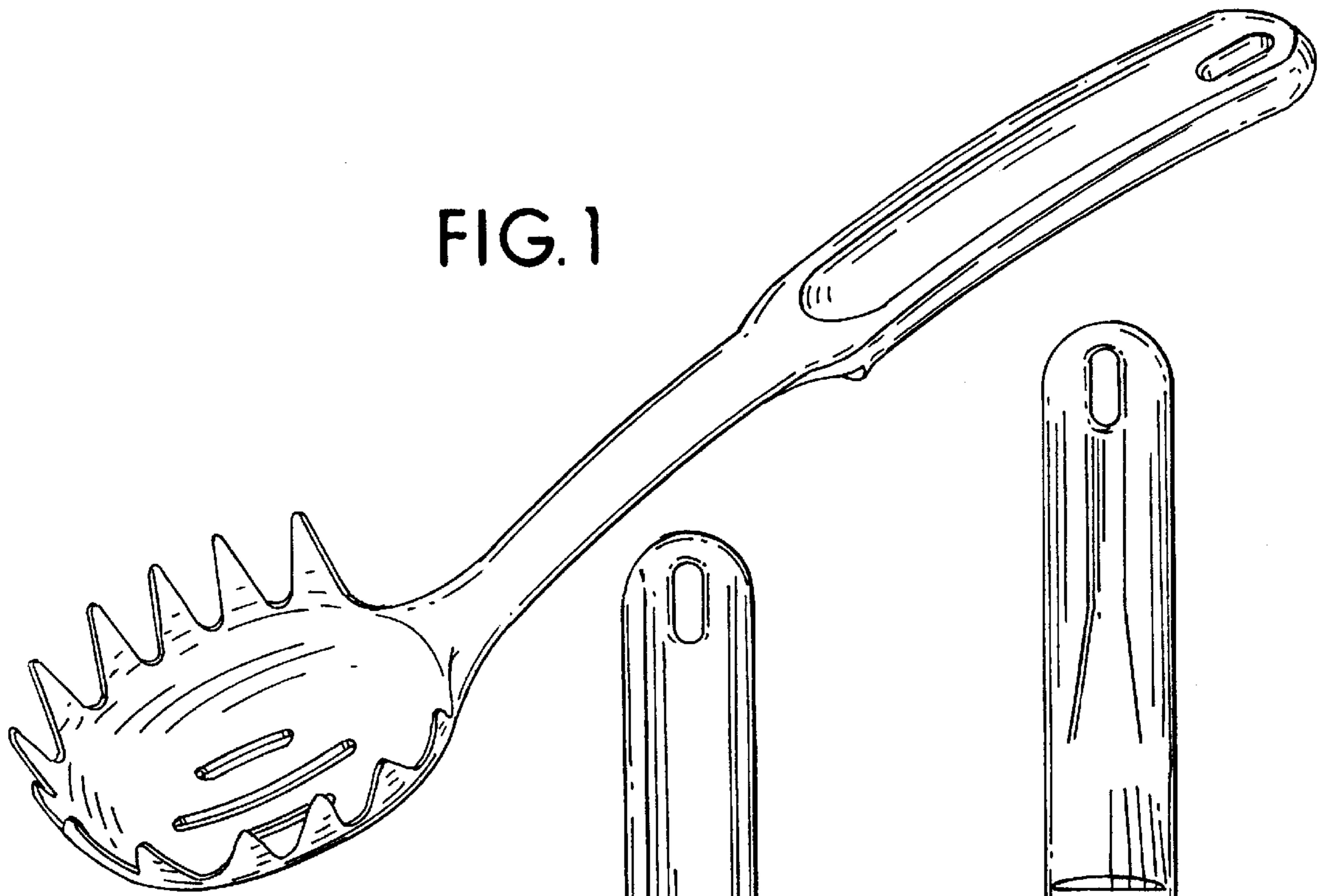


FIG. 1

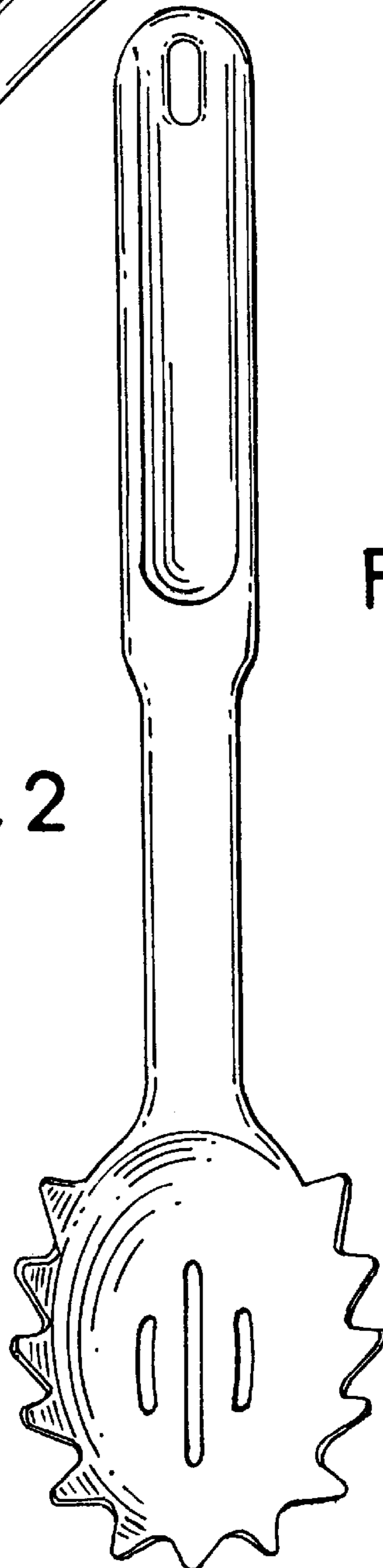


FIG. 2

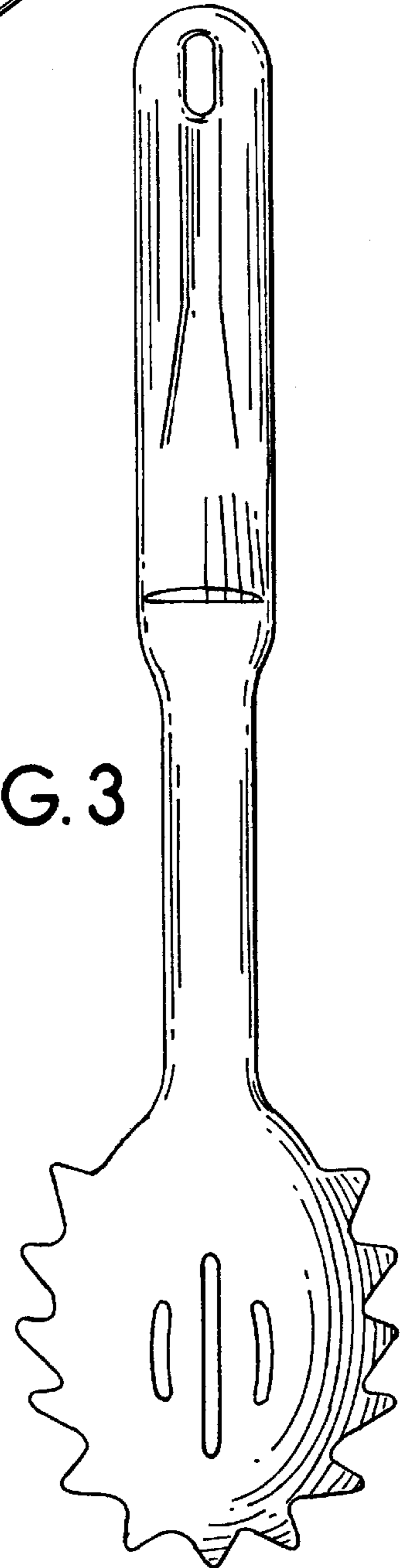


FIG. 3

