

US00D402163S

# United States Patent [19]

Ancona et al.

[11] Patent Number: Des. 402,163

[45] Date of Patent: \*\*Dec. 8, 1998

[54] **CUTLERY BLOCK WITH SPICE RACK**

[75] Inventors: **Bruce E. Ancona**, New York; **Jose Suero, Jr.**, Astoria, both of N.Y.

[73] Assignee: **Ekco Housewares, Inc.**, Franklin Park, Ill.

[\*\*] Term: **14 Years**

[21] Appl. No.: **76,079**

[22] Filed: **Aug. 11, 1997**

[51] **LOC (6) Cl.** ..... **06-04**

[52] **U.S. Cl.** ..... **D7/638**

[58] **Field of Search** ..... D7/637-641, 590; 211/60.1, 70.1, 70.6, 70.7; 248/37.3

[56] **References Cited**

**U.S. PATENT DOCUMENTS**

- D. 317,698 6/1991 Martinez ..... D7/637
- D. 338,376 8/1993 Ulber ..... D7/637
- 2,338,303 1/1944 Rosenberg ..... D7/637 X

*Primary Examiner*—Terry A. Wallace  
*Attorney, Agent, or Firm*—Wolf, Greenfield & Sacks, P.C.

[57] **CLAIM**

The ornamental design for a cutlery block with spice rack, as shown and described.

**DESCRIPTION**

FIG. 1 is a side, top perspective view of a cutlery block with spice rack showing our new design, the knife blade receiving slots are shown in broken lines for illustrative purposes only and no part of the claimed design;

FIG. 2 is a front elevation view thereof;

FIG. 3 is a rear elevation view thereof;

FIG. 4 is a top plan view thereof;

FIG. 5 is a bottom plan view thereof;

FIG. 6 is a left side elevation view thereof;

FIG. 7 is a right side elevation view thereof;

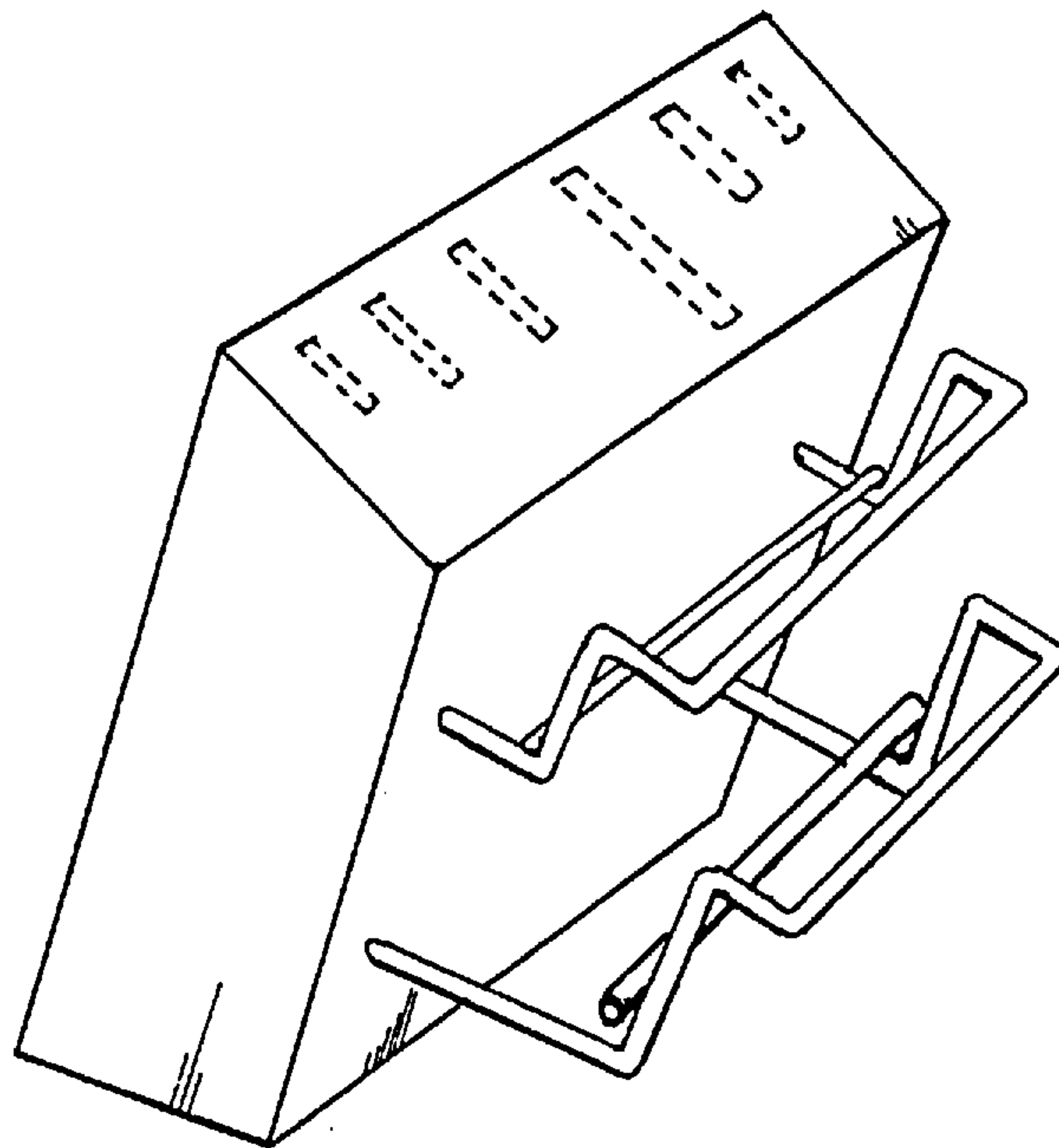
FIG. 8 is a side, top perspective view of an alternate embodiment of FIG. 1, the knife blade receiving slots are shown in broken lines for illustrative purposes only and form no part of the claimed design;

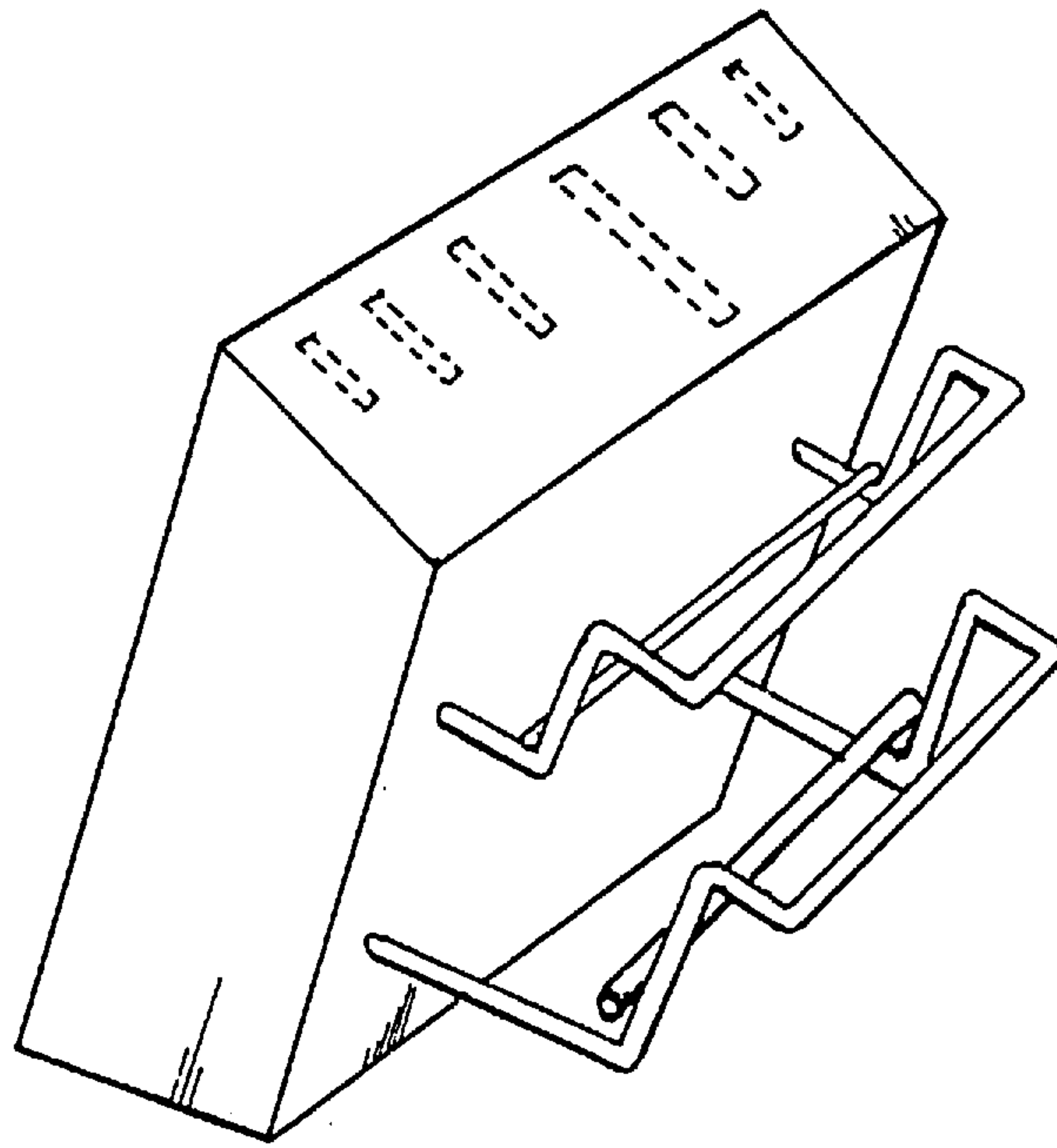
FIG. 9 is a front elevation view thereof;

FIG. 10 is a top plan view thereof; and,

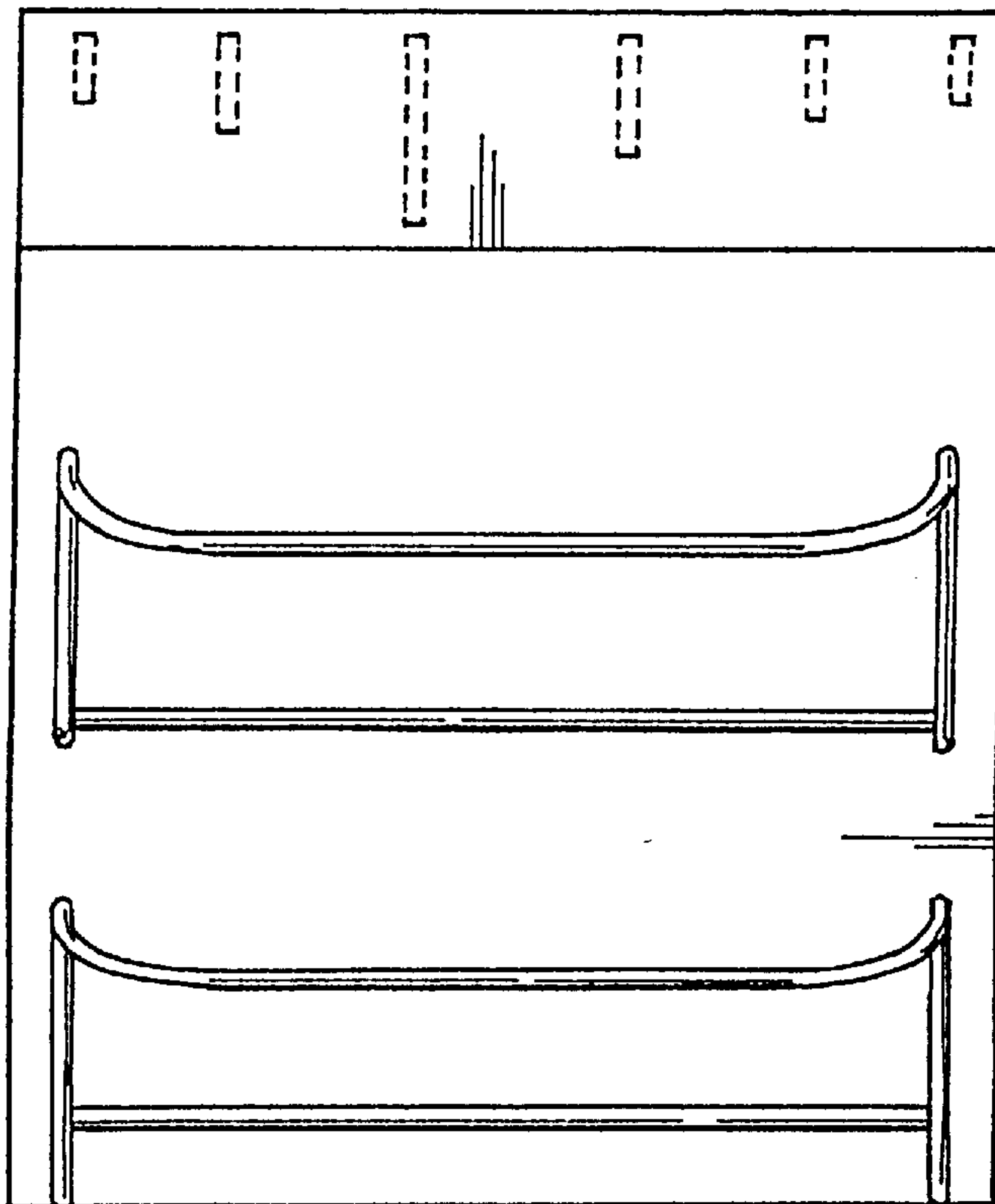
FIG. 11 is a left side elevation view thereof, the spice jars are shown in broken lines for illustrative purposes only and form no part of the claimed design.

**1 Claim, 7 Drawing Sheets**

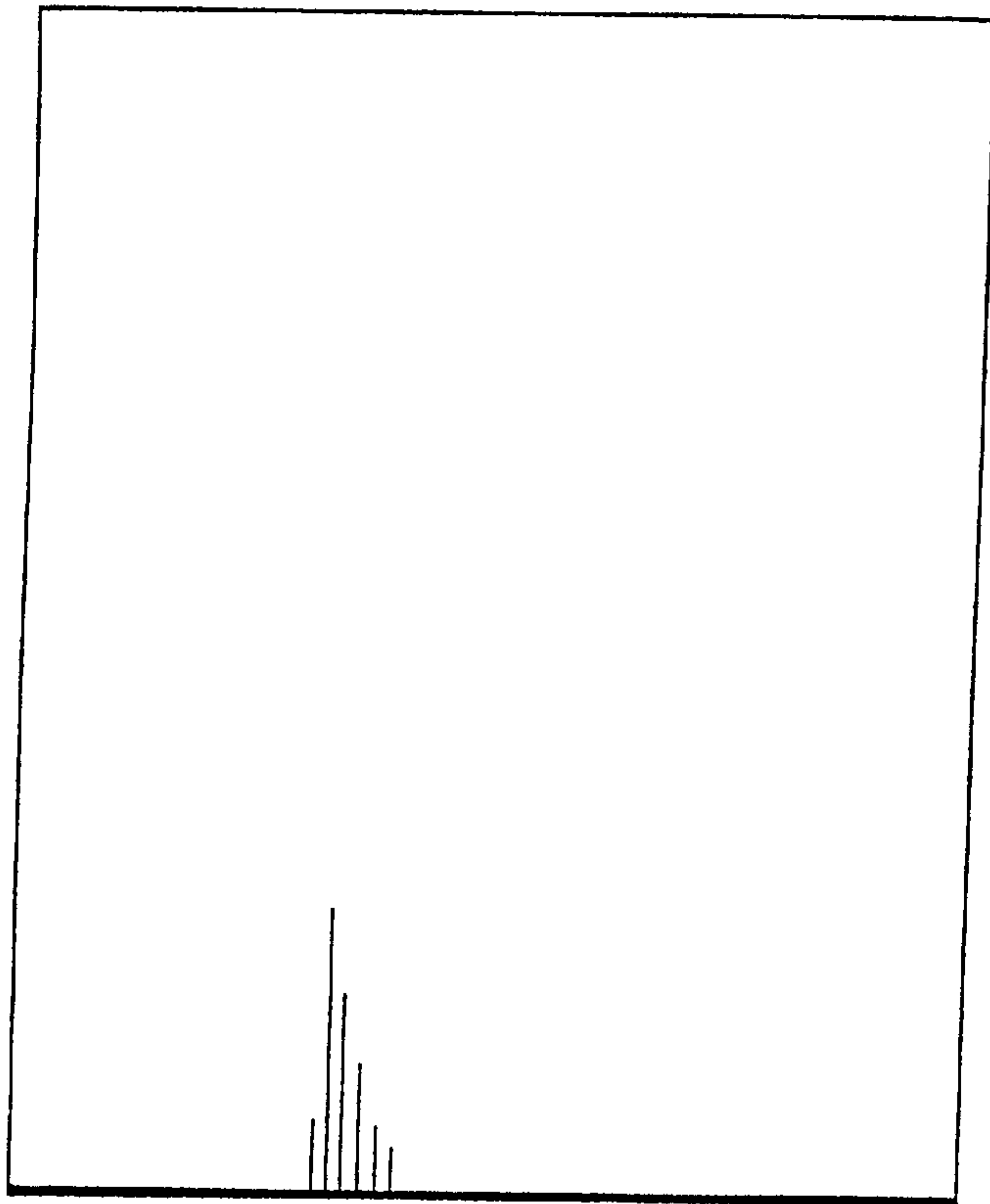




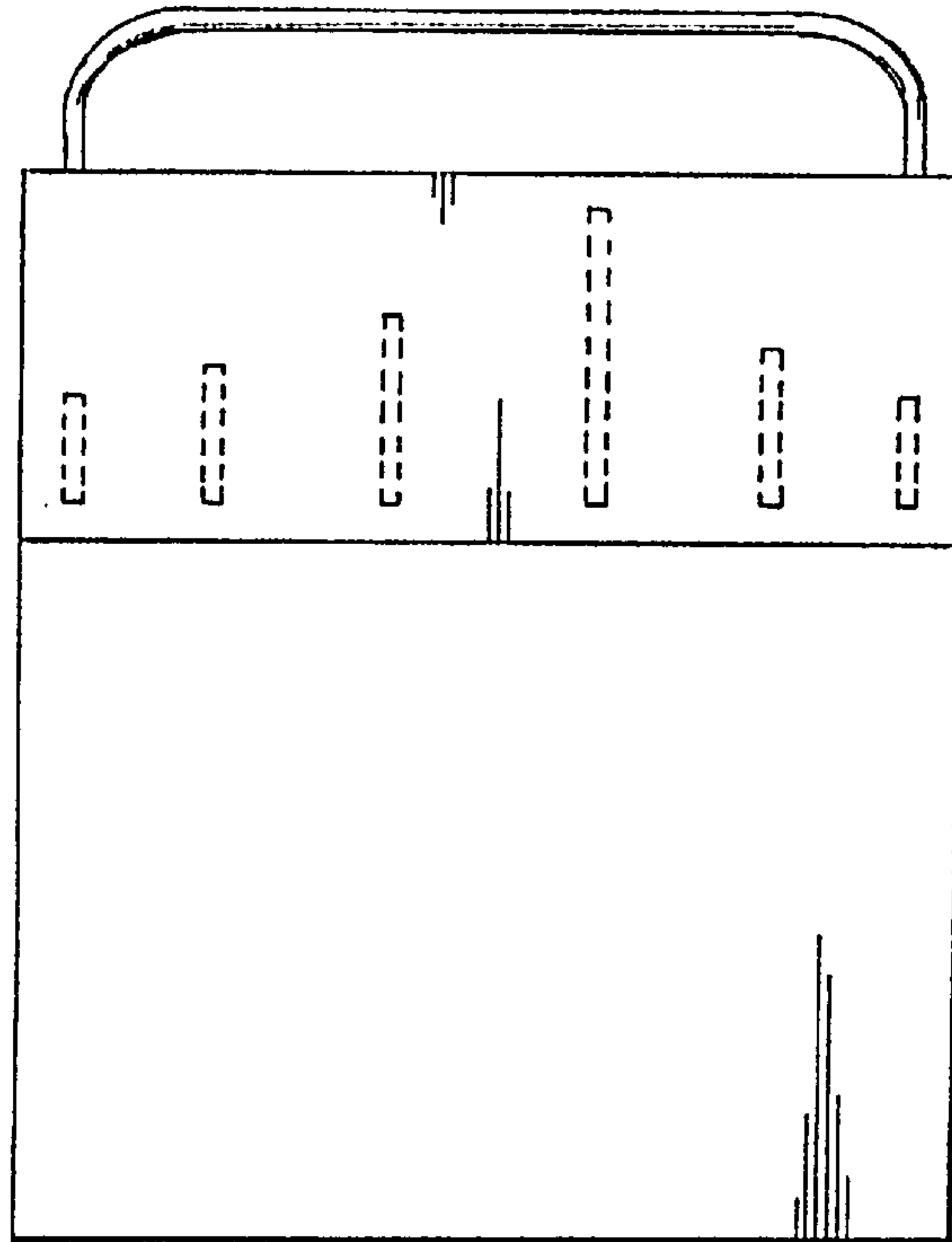
*Fig. 1*



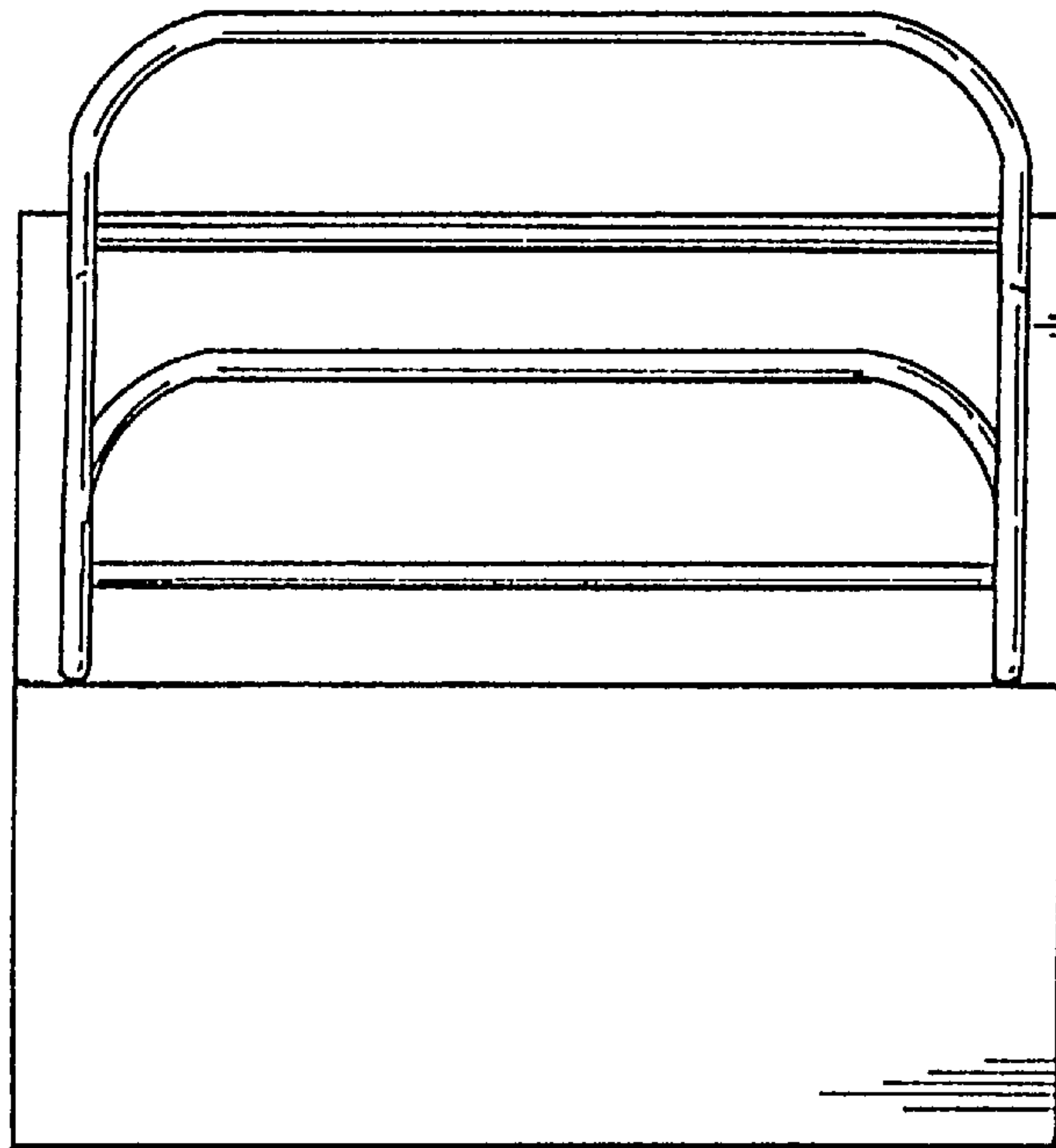
*Fig. 2*



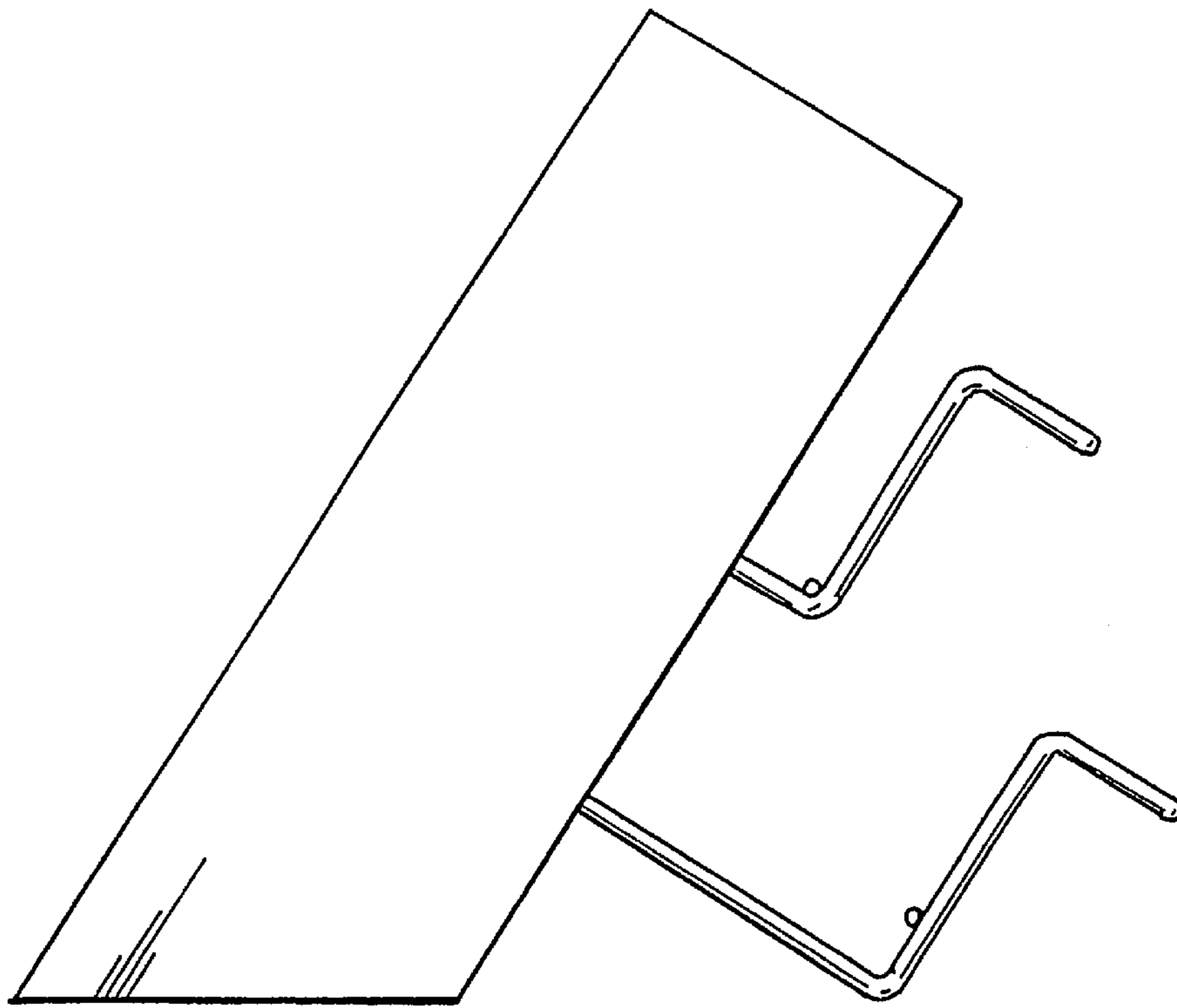
*Fig. 3*



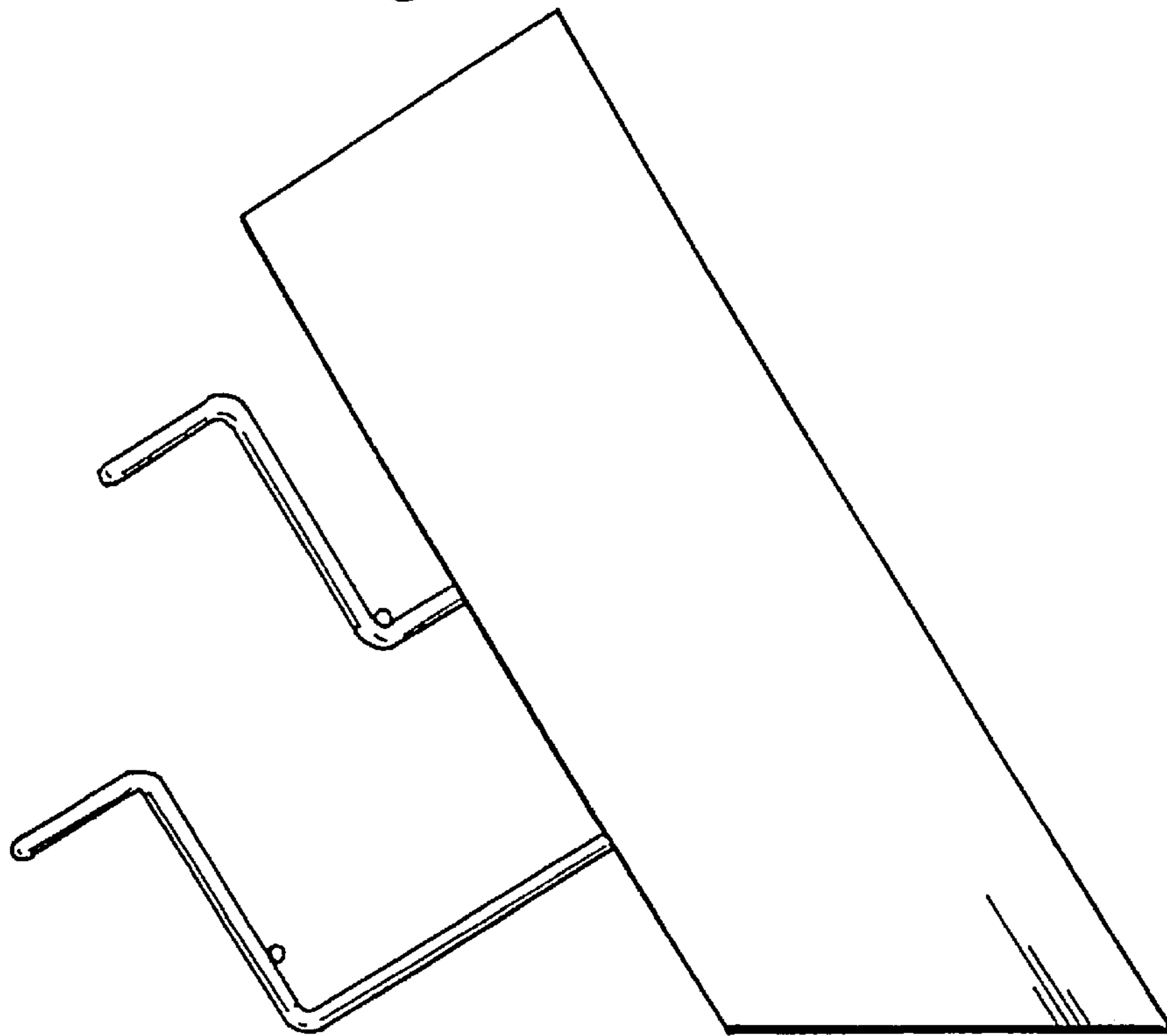
*Fig. 4*



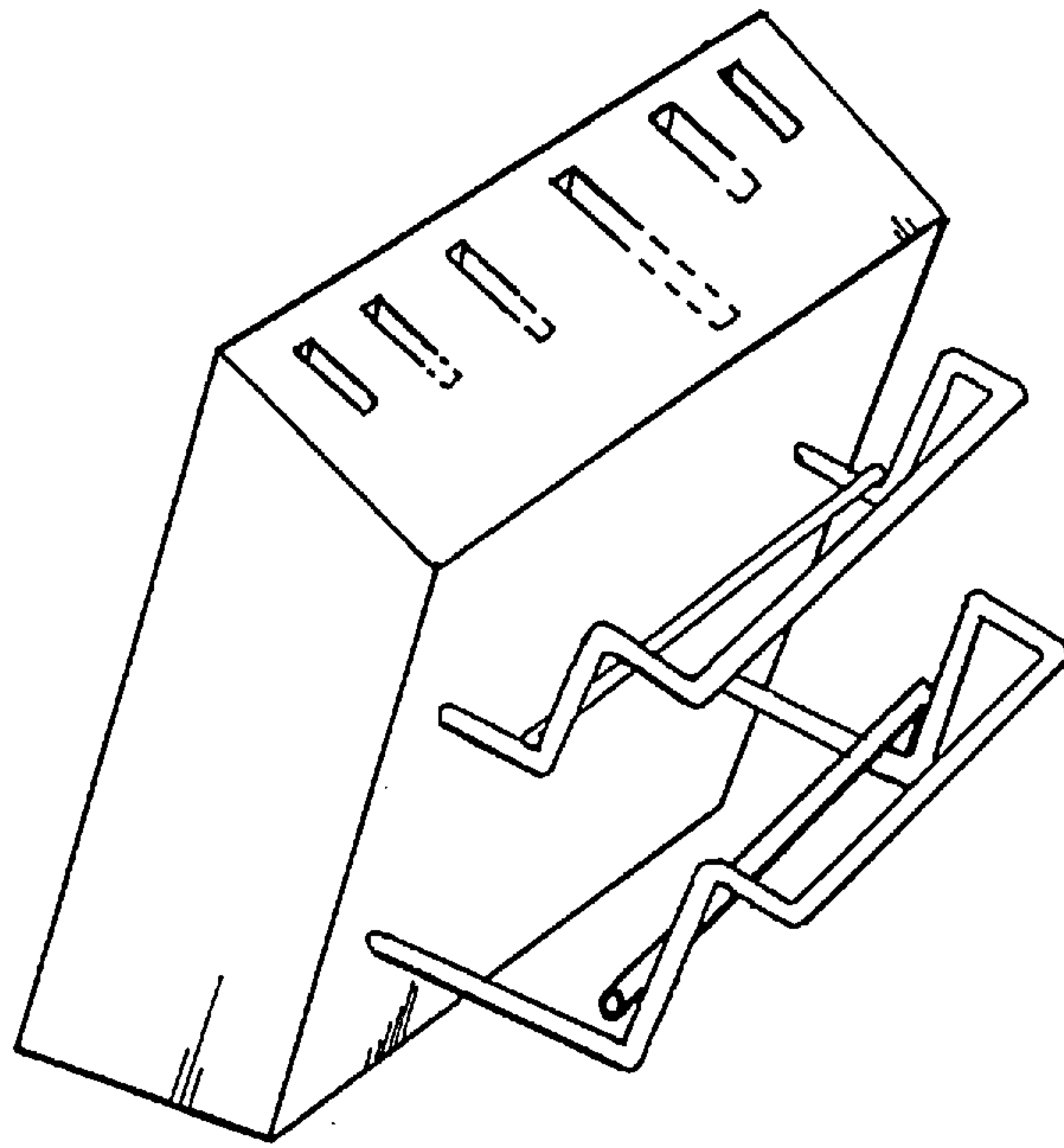
*Fig. 5*



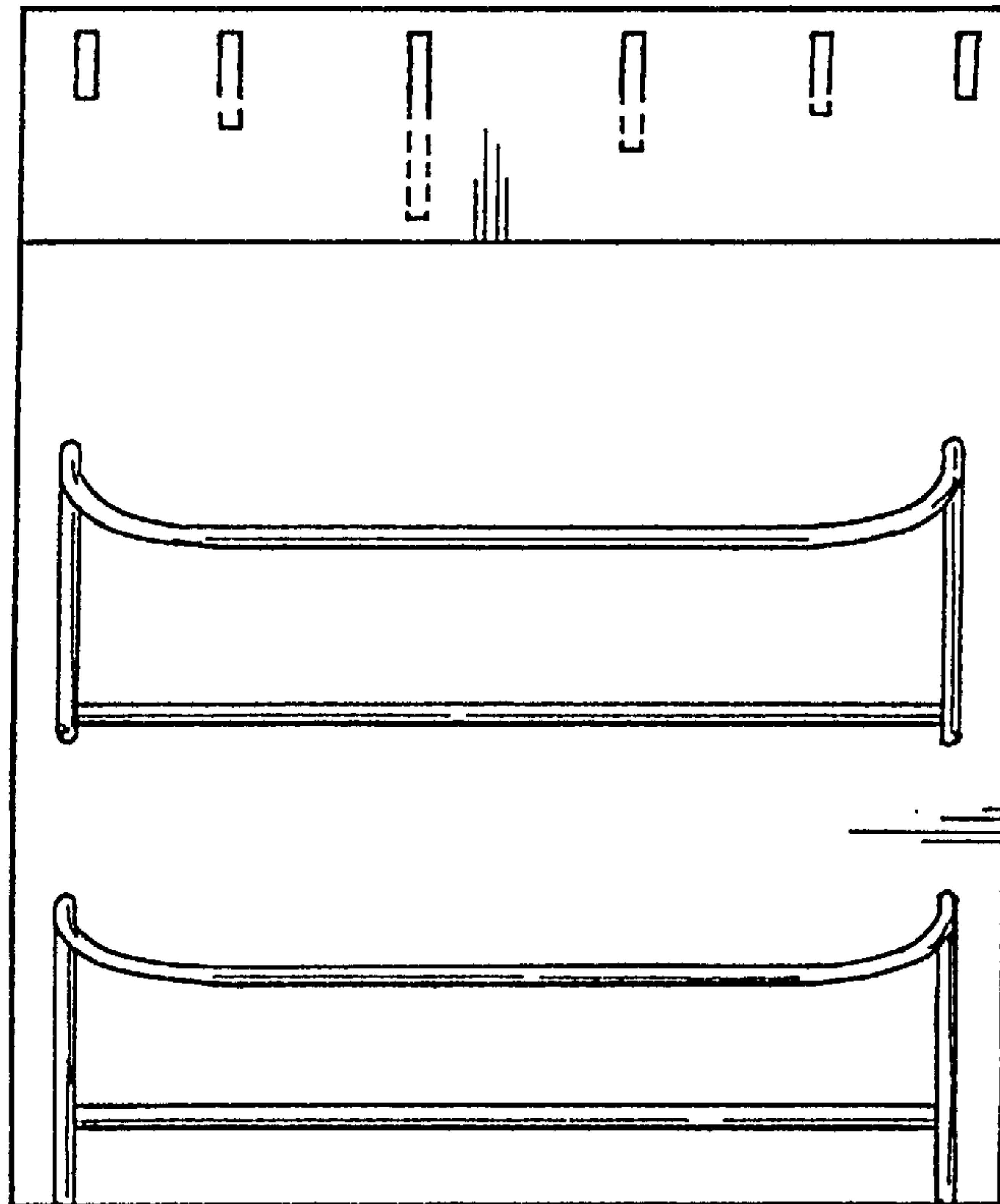
**Fig. 6**



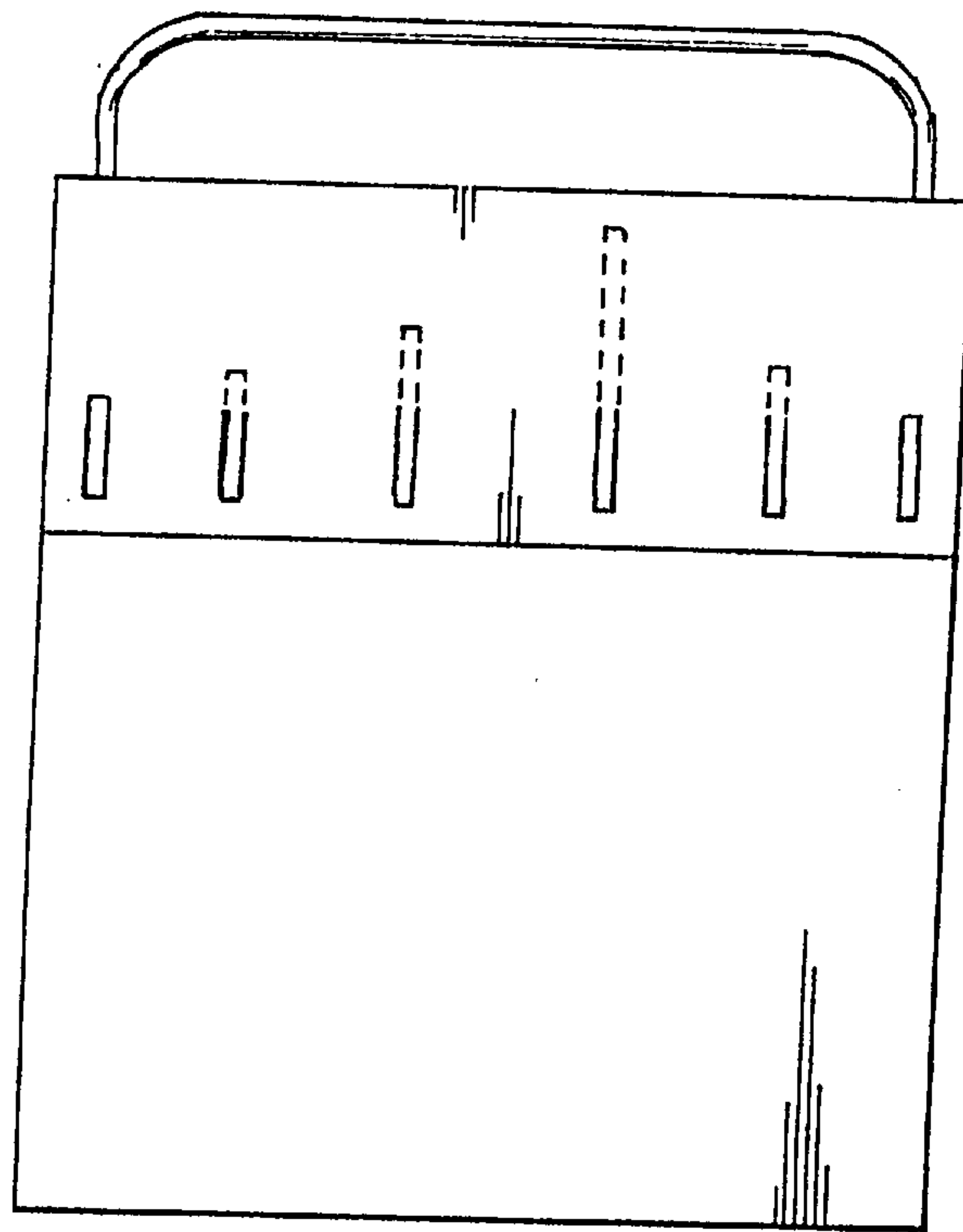
**Fig. 7**



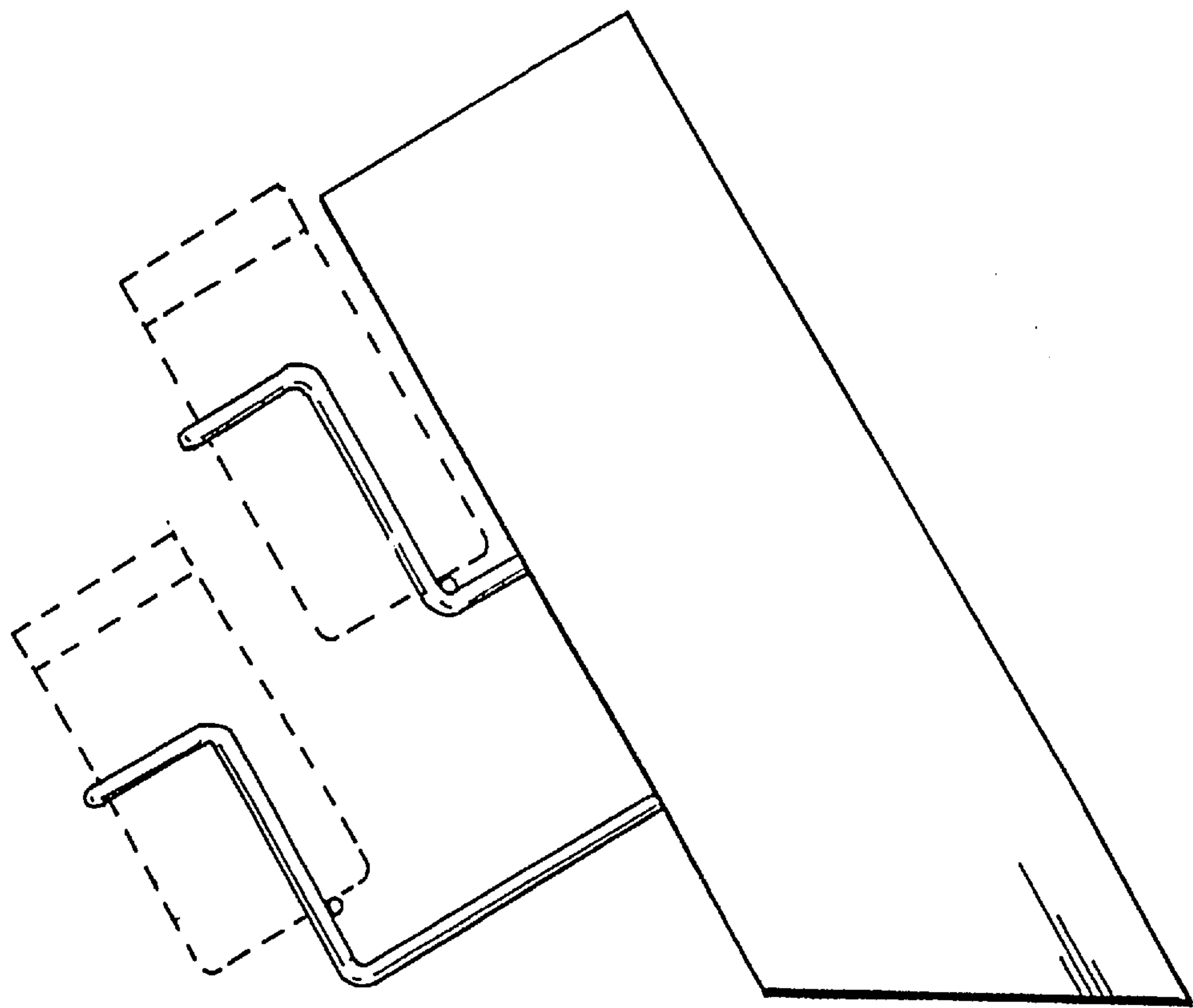
*Fig. 8*



*Fig. 9*



*Fig. 10*



*Fig. 11*