



US00D402160S

# United States Patent [19] Rushing

[11] **Patent Number: Des. 402,160**

[45] **Date of Patent: \*\*Dec. 8, 1998**

[54] **BULK BIN**

[75] Inventor: **Tatsuo Rushing**, Ringwood, N.J.

[73] Assignee: **The Procter & Gamble Company**, Cincinnati, Ohio

[\*\*] Term: **14 Years**

[21] Appl. No.: **77,502**

[22] Filed: **Sep. 29, 1997**

[51] **LOC (6) Cl. .... 07-01**

[52] **U.S. Cl. .... D7/589**

[58] **Field of Search** ..... D7/589, 300; D6/512, D6/542, 545, 515; D20/1, 3, 7; 222/173, 181.1, 185.1

[56] **References Cited**

### U.S. PATENT DOCUMENTS

|            |         |                    |          |
|------------|---------|--------------------|----------|
| D. 286,728 | 11/1986 | Elmore .           |          |
| D. 295,590 | 5/1988  | Merl et al. ....   | D6/408   |
| D. 309,402 | 7/1990  | Morrow .....       | D7/589   |
| D. 328,007 | 7/1992  | Mondry et al. .... | D7/589   |
| D. 335,242 | 5/1993  | Saunders .....     | D7/589   |
| D. 345,283 | 3/1994  | Papanicholas ..... | D7/589   |
| D. 379,884 | 6/1997  | Eastman .....      | D6/472   |
| 4,176,767  | 12/1979 | Franche, IV .....  | 222/243  |
| 4,522,306  | 6/1985  | Silver .....       | 211/49.1 |

|           |         |                   |           |
|-----------|---------|-------------------|-----------|
| 5,197,610 | 3/1993  | Bustos .....      | 211/59.2  |
| 5,236,344 | 8/1993  | Baron .....       | 248/122.1 |
| 5,328,082 | 7/1994  | Fritz et al. .... | 229/122.1 |
| 5,361,937 | 11/1994 | Wiess .....       | 221/189   |
| 5,673,823 | 10/1997 | Hanks et al. .... | 222/185.1 |

### FOREIGN PATENT DOCUMENTS

|             |         |              |            |
|-------------|---------|--------------|------------|
| 2591201     | 6/1987  | France ..... | B65D 83/06 |
| WO 96/06013 | 2/1996  | WIPO .       |            |
| WO 96/33128 | 10/1996 | WIPO .....   | B67D 5/08  |

*Primary Examiner*—Terry A. Wallace  
*Attorney, Agent, or Firm*—Rodney M. Young

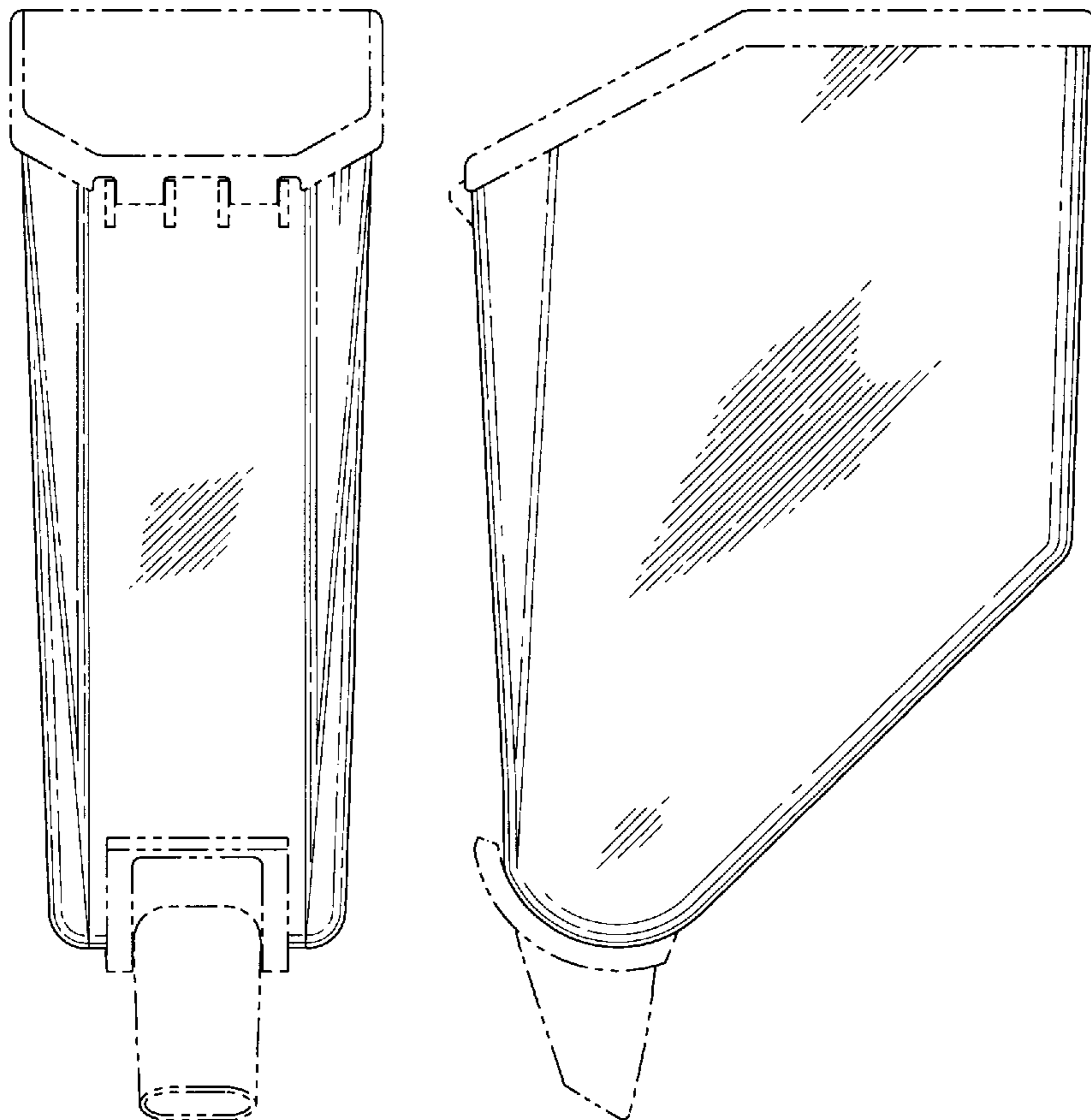
### [57] CLAIM

The ornamental design for a bulk bin, as shown and described.

### DESCRIPTION

FIG. 1 is a perspective view of a bulk bin, embodying my new design;  
FIG. 2 is a bottom view thereof;  
FIG. 3 is a side elevational view thereof, the opposite side elevational view being a mirror image thereof;  
FIG. 4 is a top view thereof; and,  
FIG. 5 is a front elevational view thereof.  
The broken lines shown in the figures are for illustrative purposes only, and form no part of the claimed invention.

**1 Claim, 2 Drawing Sheets**



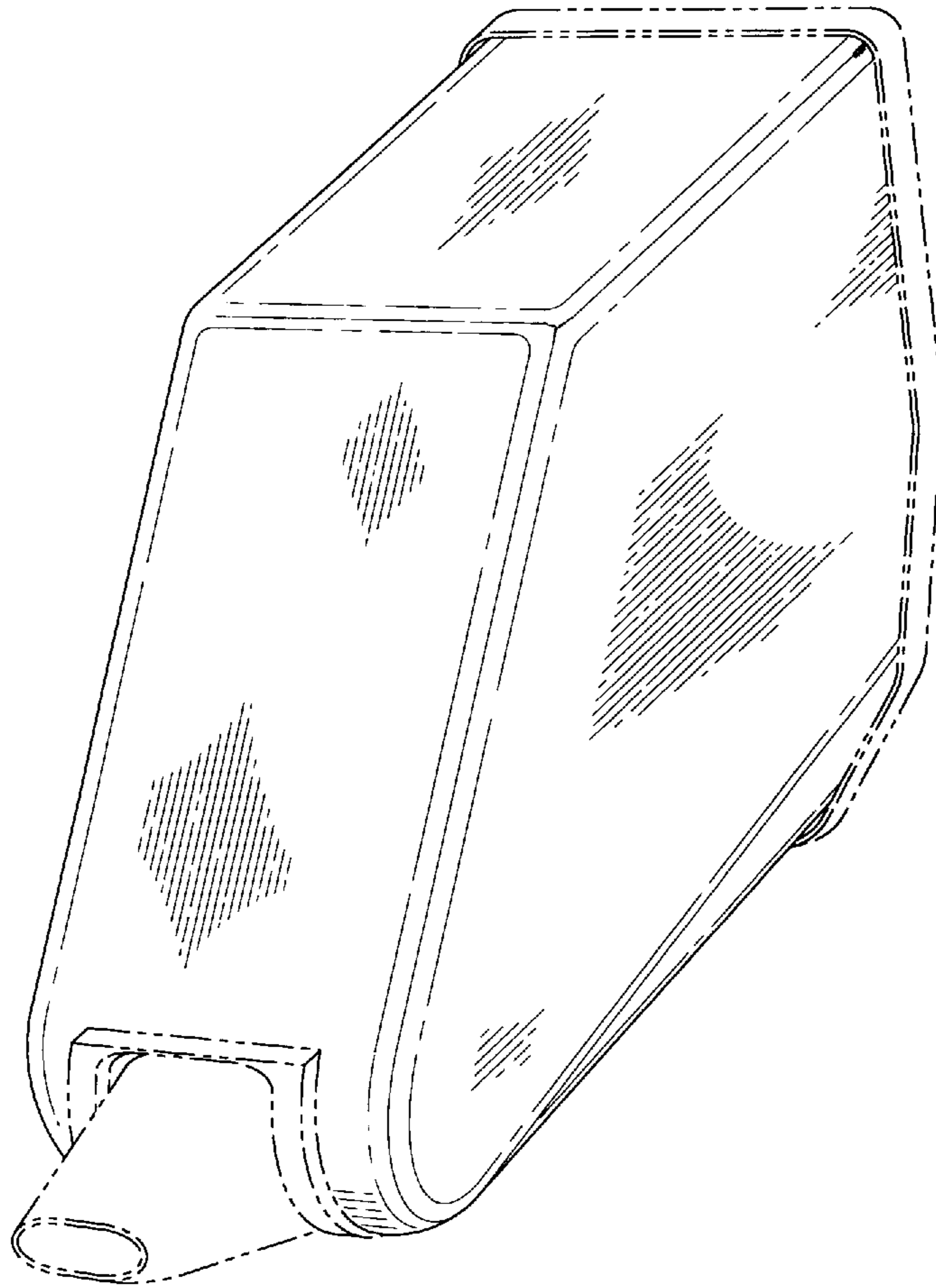


Fig. 1

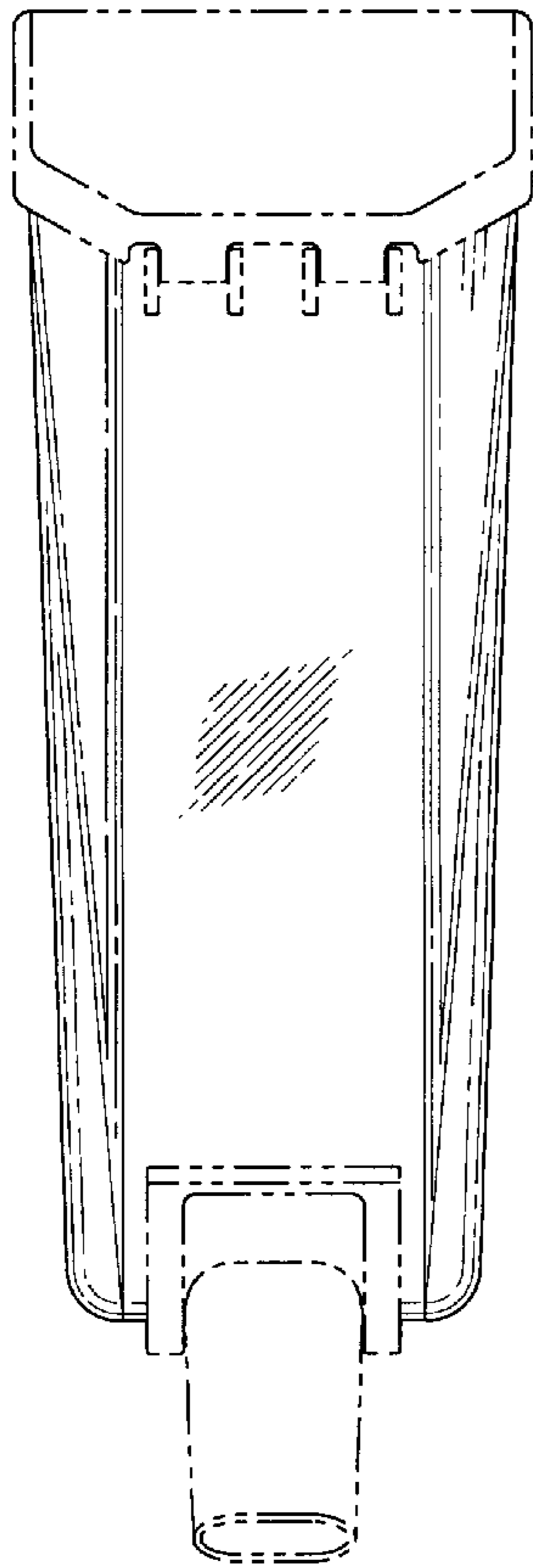


Fig. 2

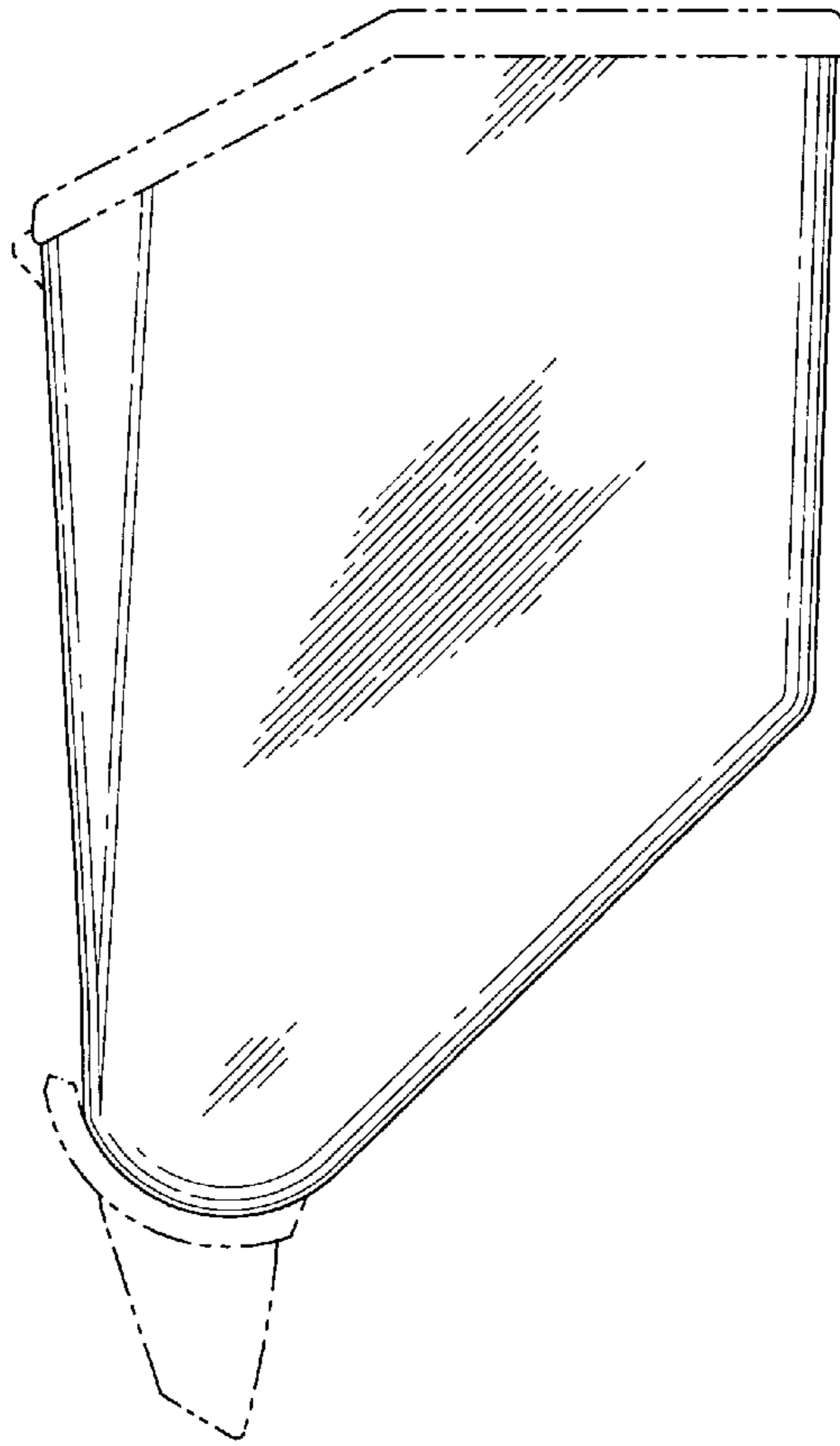


Fig. 3

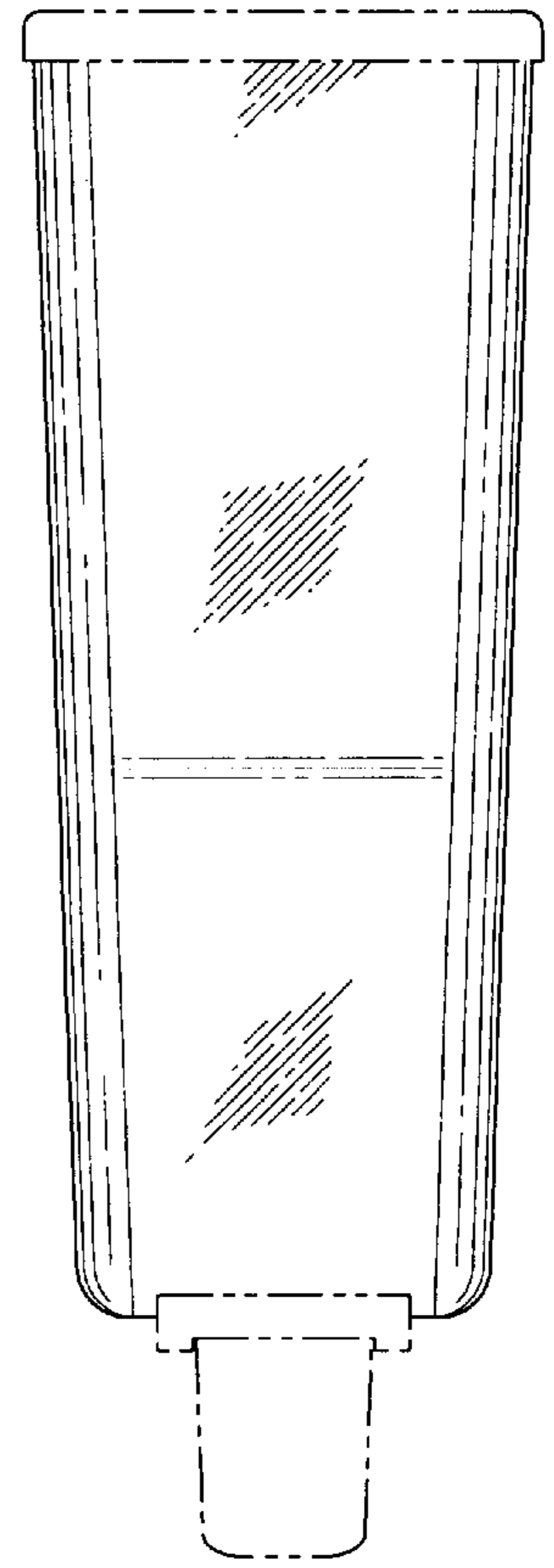


Fig. 4

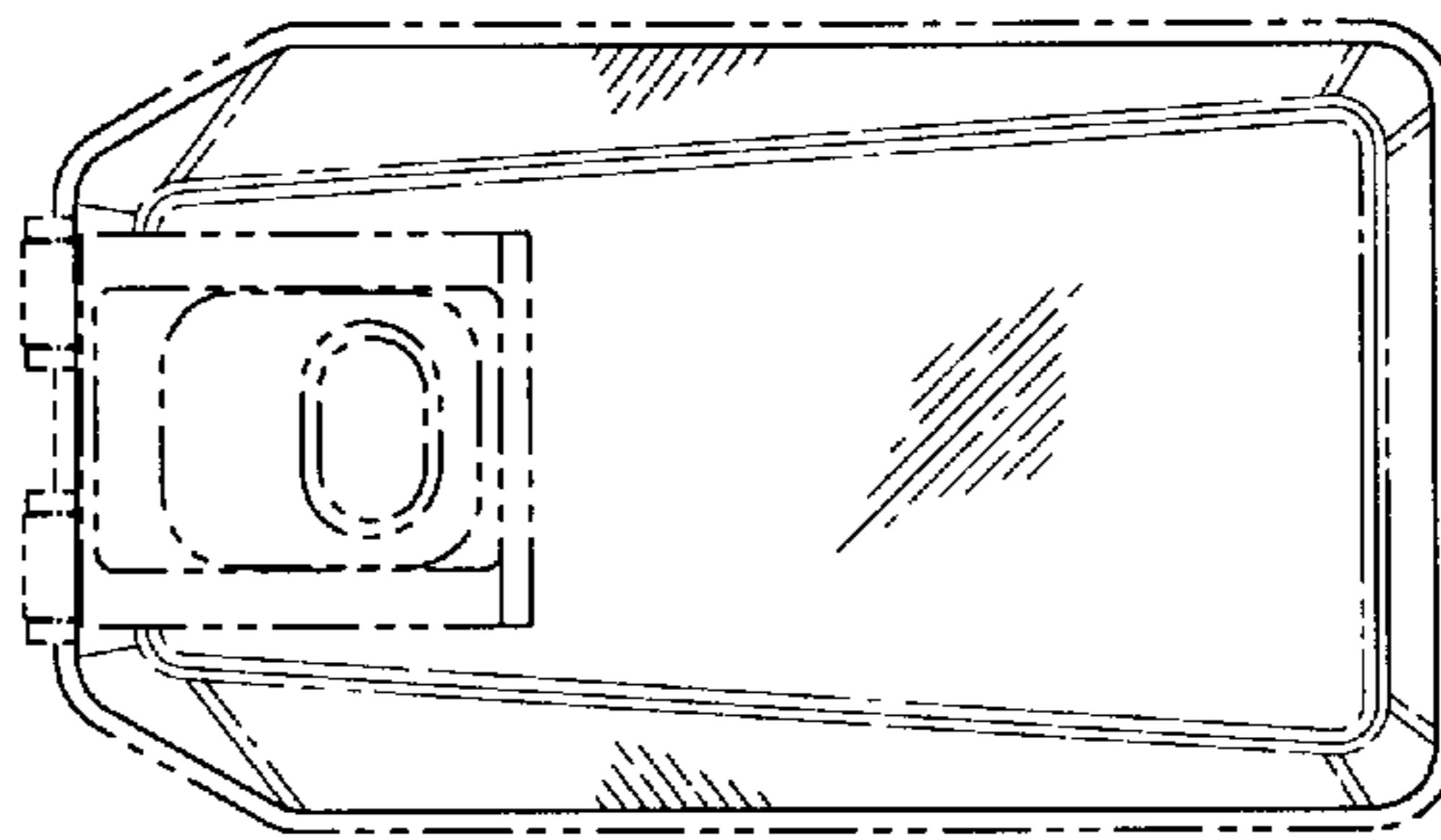


Fig. 5