



US00D402141S

United States Patent [19]

Luong et al.

[11] Patent Number: Des. 402,141

[45] Date of Patent: **Dec. 8, 1998

[54] COCKTAIL TABLE

[75] Inventors: **Phuoc H. Luong**, Fountain Valley;
Robinson Ho, Lakewood, both of Calif.

[73] Assignee: **Elite Manufacturing Corporation**,
Gardena, Calif.

[**] Term: **14 Years**

[21] Appl. No.: **78,493**

[22] Filed: **Jul. 22, 1997**

[51] LOC (6) Cl. **06-03**

[52] U.S. Cl. **D6/488; D6/480**

[58] Field of Search D6/480-489, 511,
D6/495, 496, 499; 108/153, 155-157, 161,
184; 248/188, 188.1, 188.7

[56] References Cited

U.S. PATENT DOCUMENTS

D. 115,285	6/1939	Conkling, Jr.	D6/488
D. 157,226	2/1950	Williams	D6/484
D. 165,584	1/1952	Johnson	D6/474
D. 170,420	9/1953	Luhrs	D6/487
D. 175,651	9/1955	Schwartz	D6/474
D. 180,407	6/1957	Jones et al.	D6/484
D. 189,357	11/1960	Woodard	D6/487
D. 193,192	7/1962	Blevins	D6/511
D. 214,672	7/1969	Ricca	D6/488
D. 245,465	8/1977	Hindle	D6/482 X
D. 284,431	7/1986	Berry, Jr.	D6/479
D. 290,203	6/1987	Berry, Jr.	D6/482 X
D. 291,751	9/1987	Salvato	D6/482
D. 295,816	5/1988	Beall, Jr.	D6/478 X
D. 333,932	3/1993	Martin	D6/484
D. 367,785	3/1996	Lewis	D6/480

D. 371,699	7/1996	Muller-Deisig et al.	D6/482
D. 373,269	9/1996	Muller	D6/484
D. 384,529	10/1997	Muller	D6/480
D. 384,839	10/1997	Muller	D6/480
3,074,771	1/1963	Wilson	D6/482 X

OTHER PUBLICATIONS

Brown Jordan, p. 13, table 1232-3000 at bottom left.
 La Barge, p. 106A, #4308 table at bottom left.
 Bloomingdales, p. 2, table t bottom of page.
 Bloomingdales, Jun. 1994, front cover, table at lower left.
 Gunlocke, Trident Table.
 LaBarge, table at top.
 Ethan Allan c 1992, p. 287, #3 at top right.
 Nat Siegel, Inc. Catalog, p. 11, item 962.
 Nat Siegel, Inc. p. 15, items at center.

Primary Examiner—Janice E. Seeger
Attorney, Agent, or Firm—Stetina Brunda Garred & Brucker

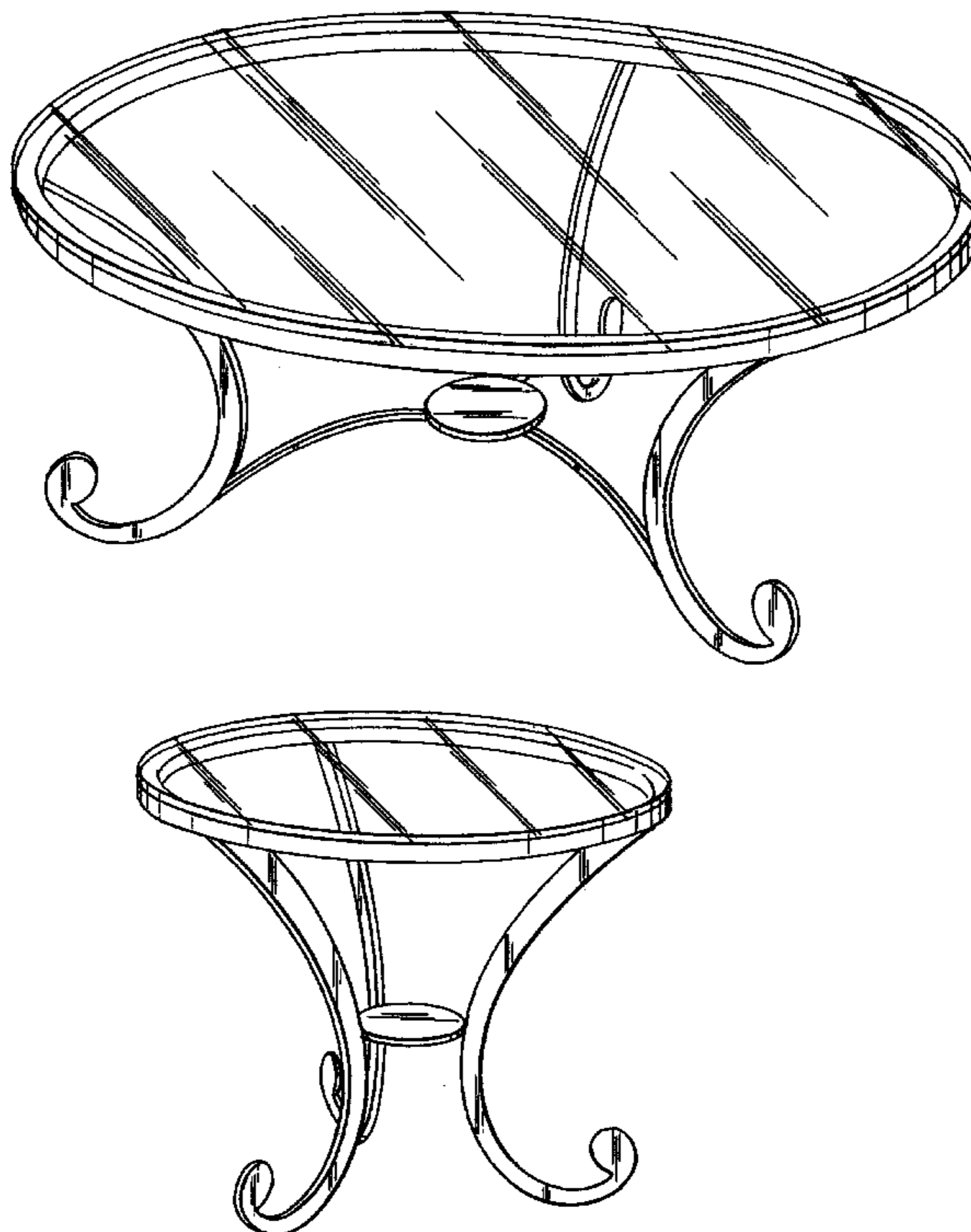
[57] CLAIM

The ornamental design for a cocktail table, as shown and described.

DESCRIPTION

FIG. 1 is a front top perspective view of the cocktail table of the present invention showing my new design;
 FIG. 2 is a top plan view thereof;
 FIG. 3 is an typical side elevational view thereof;
 FIG. 4 is a front top perspective view of the cocktail table of the present invention showing my new design;
 FIG. 5 is a top plan view of FIG. 4; and,
 FIG. 6 is a typical side elevational view of FIG. 4.

1 Claim, 2 Drawing Sheets



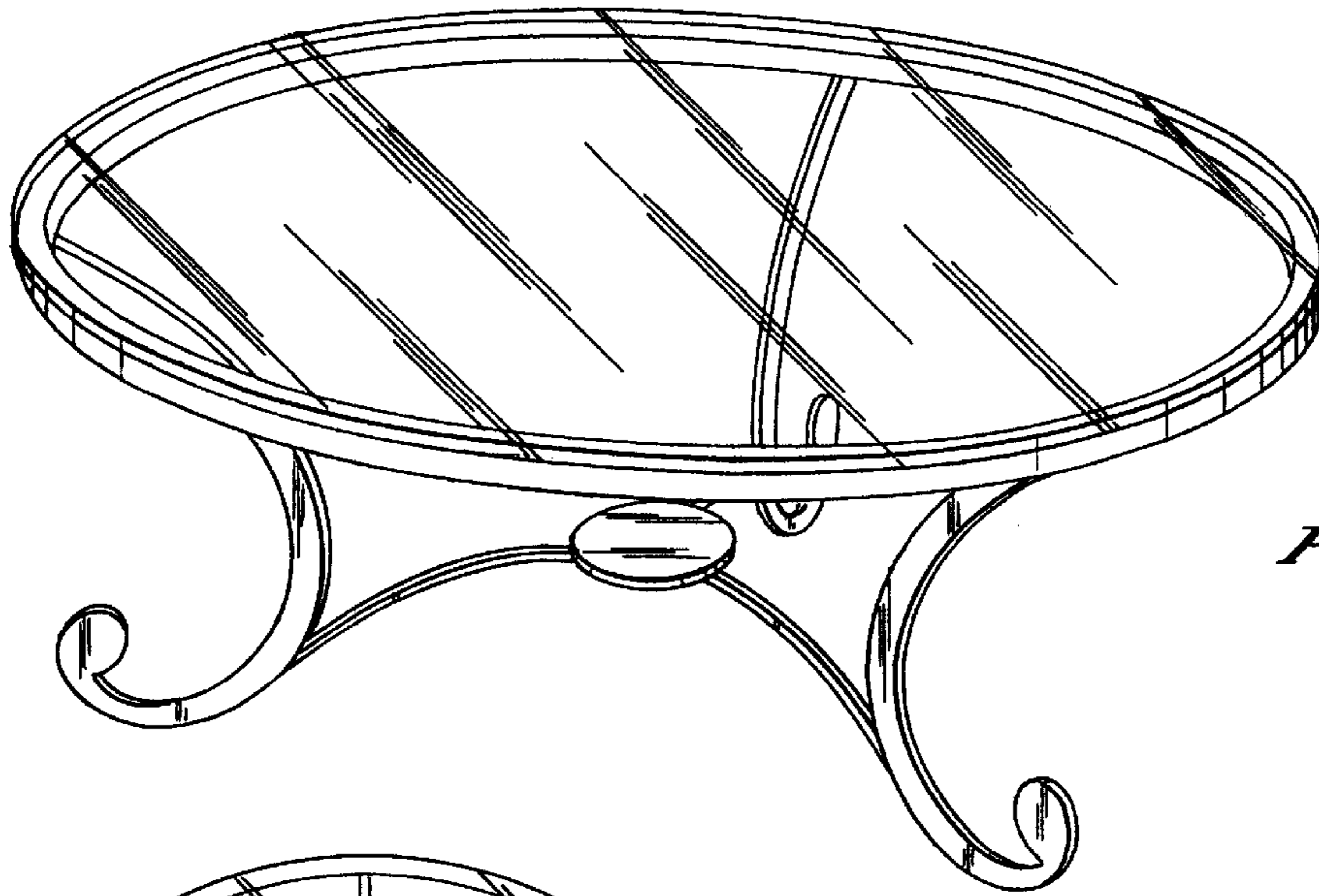


Fig. 1

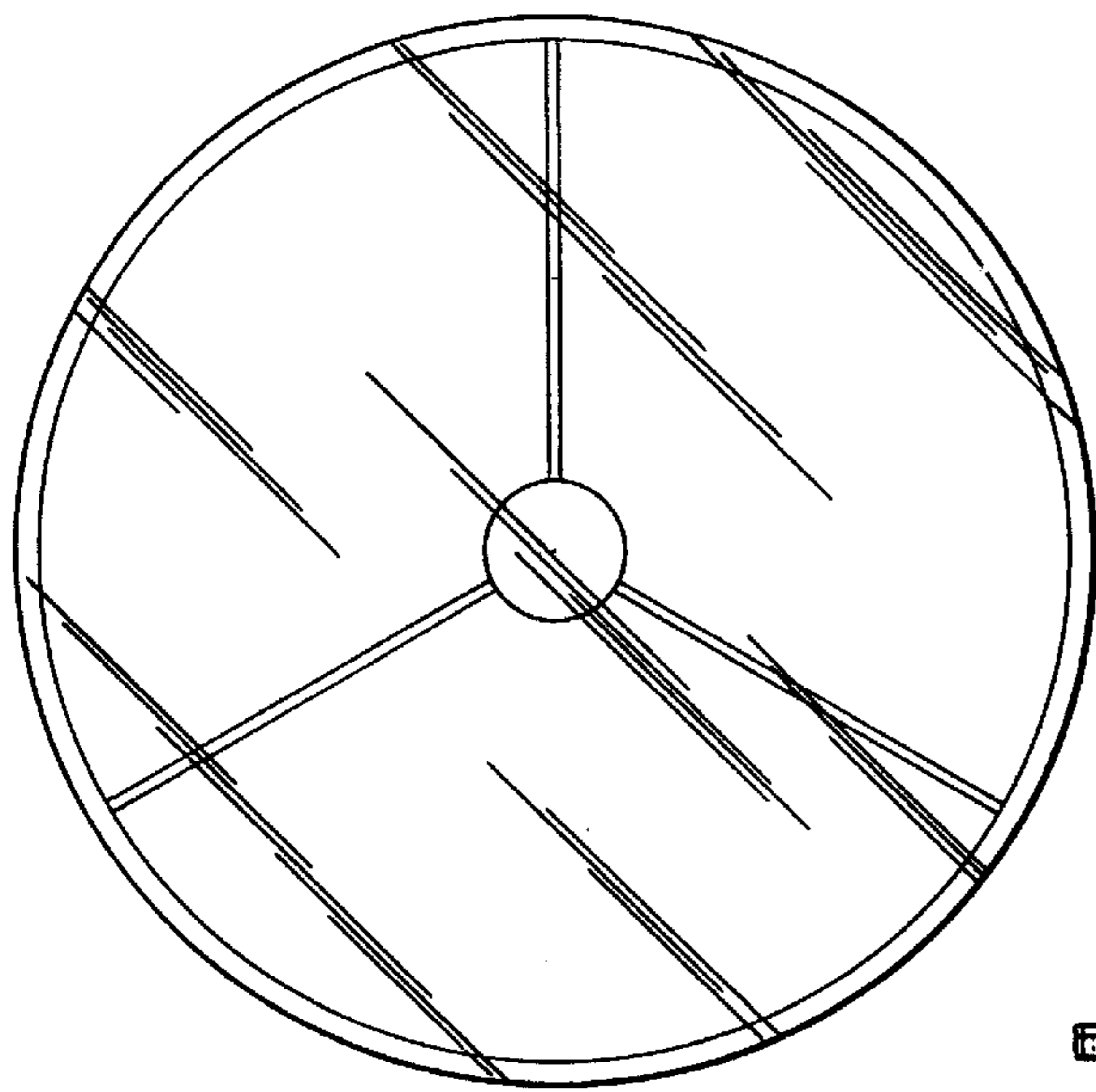


Fig. 2

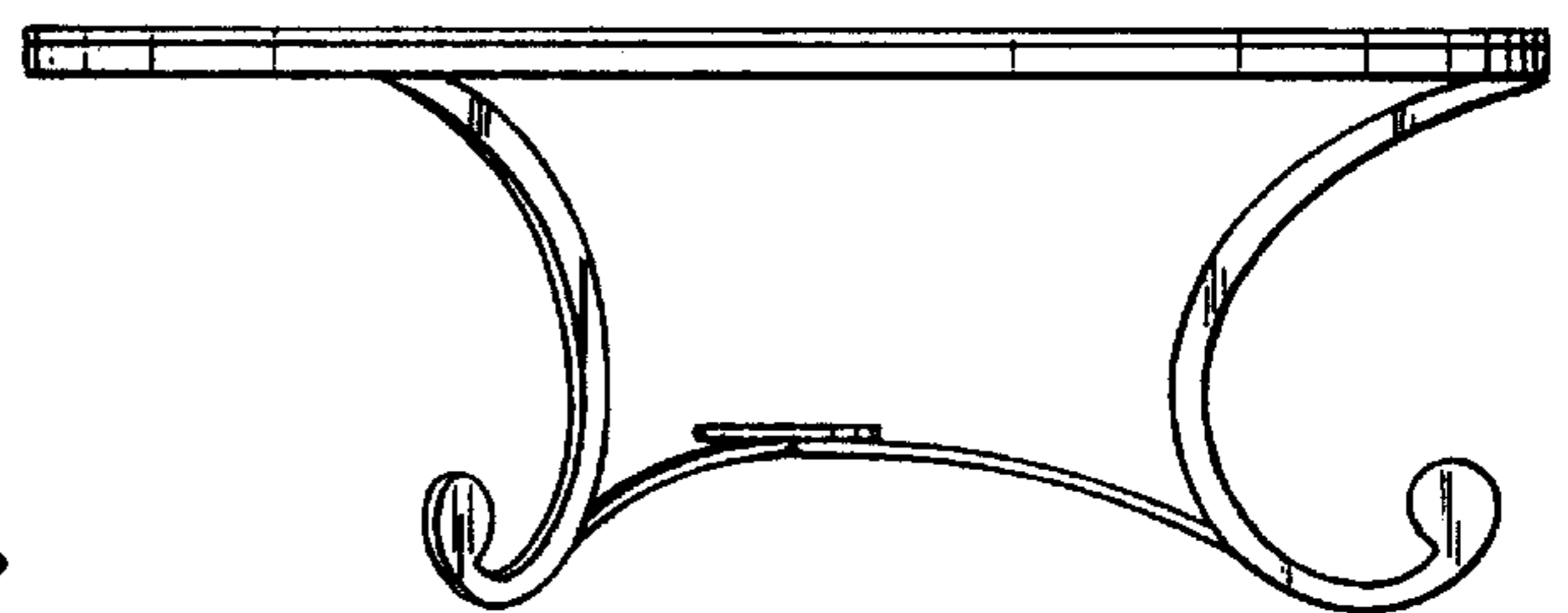


Fig. 3

Fig. 4

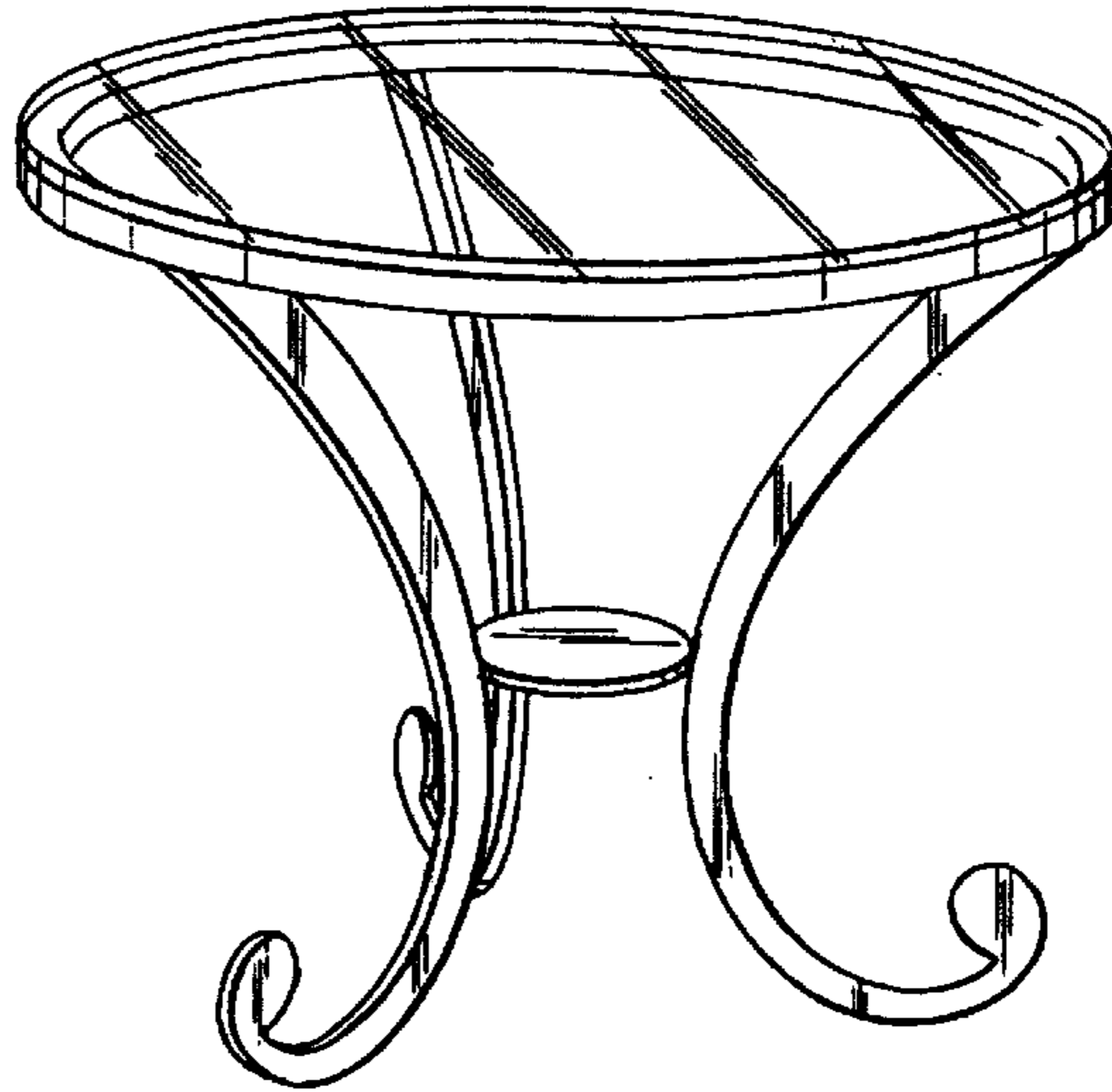


Fig. 5

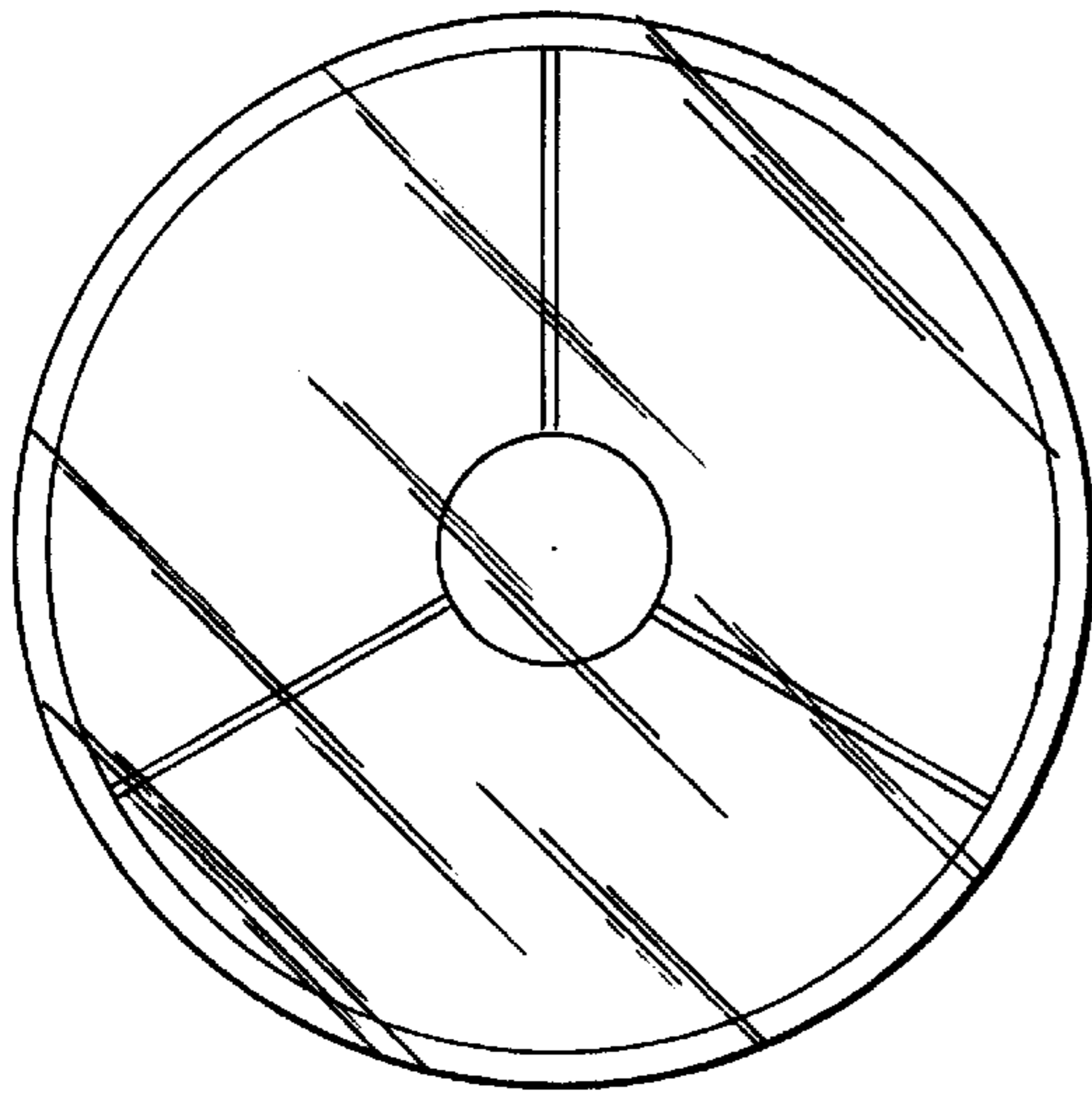


Fig. 6

